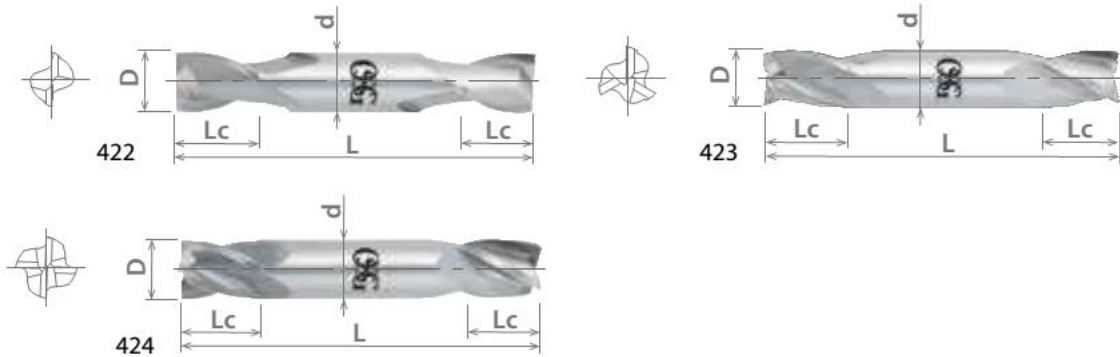


List 422, 423, 424

2, 3, or 4 Flute, Stub Length

SPEED FEED P1261- 1267	CARBIDE	TiAlN	BR

Milling I
1/32 ≤ D ≤ 1/2



EDP Number						Mill Dia.	Overall Length
List 422 (2 Flute)		List 423 (3 Flute)		List 424 (4 Flute)			
Bright	TiAlN	Bright	TiAlN	Bright	TiAlN	D	L
422-0312	-	423-0312	-	424-0312	424-031211	1/32	1-1/2
422-0469	-	423-0469	-	424-0469	424-046911	3/64	1-1/2
422-0625	422-062511	423-0625	-	424-0625	424-062511	1/16	1-1/2
422-0781	-	-	-	424-0781	424-078111	5/64	1-1/2
422-0938	422-093811	423-0938	-	424-0938	424-093811	3/32	1-1/2
422-1094	-	-	-	424-1094	424-109411	7/64	1-1/2
422-1250	422-125011	423-1250	-	424-1250	424-125011	1/8	1-1/2
422-1406	-	-	-	424-1406	-	9/64	2
422-1562	-	423-1562	-	424-1562	424-156211	5/32	2
422-1875	422-187511	423-1875	-	424-1875	424-187511	3/16	2
422-2188	422-218811	423-2188	-	424-2188	-	7/32	2-1/2
422-2500	422-250011	423-2500	423-250011	424-2500	424-250011	1/4	2-1/2
422-3125	422-312511	423-3125	-	424-3125	424-312511	5/16	2-1/2
422-3750	422-375011	423-3750	423-375011	424-3750	424-375011	3/8	2-1/2
422-4375	-	423-4375	-	424-4375	-	7/16	2-3/4
422-5000	422-500011	423-5000	423-500011	424-5000	424-500011	1/2	3

Packed: 1 pc.

EDP's listed above are stocked standard, other coatings available upon request.

Specify treatment at time of order.

Work Material													
Chart applies to all list numbers above	P					M			K	N		S	
	Carbon Steels			Alloy Steels	Die Steels	Stainless Steels			Cast Iron	Aluminum		Nickel Alloy	Titanium
	Low	Med.	High			300	400	17-4 PH		6061	Casting	Inconel	6Al4V (30 HRC)
	1010	1035	1065	4140	4340	300	400	17-4 PH	Cast Iron	6061	Casting	Inconel	6Al4V (30 HRC)
1018	1045	1065	4140	4340	300	400	17-4 PH	Cast Iron	6061	Casting	Inconel	6Al4V (30 HRC)	~35 HRC



1022

Carbide Double End

