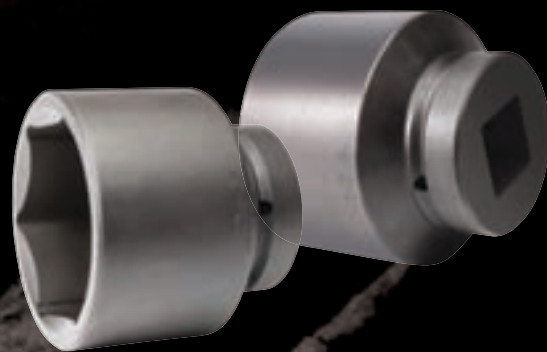


**YOUR PRODUCTIVITY.
THAT'S WHAT WE'RE AIMING TO IMPACT.**

The point of an impact wrench is to get the job done right and fast. That means you can't be fussing with stripped fastener heads or cracked sockets. Proto® impact sockets are made from special alloy steel. They are heat treated for the correct balance of strength and hardness. One-piece construction ensures concentricity. We offer TorquePlus™ technology, a variety of drive styles and magnetic options to help eliminate slippage and rounding. Plus, our finish and wall thickness options ensure our sockets fit your environment and the task at hand. In short, they help give your efficiency a jolt.

IMPACT SOCKETS



6 Point Impact Sockets for 1-1/2" Drive

PROTO

RETAINING SAFETY

Properly used, retaining rings hold sockets firmly in place on drive anvils.

- › Always use retaining rings with pneumatic drive anvils and sockets.
- › Install rings correctly to ensure all rotational force stays between the anvil and socket, as rings are only intended to support the weight of the socket.
- › Consider using crush gauge rings for added safety.
- › Be sure to inspect both drive anvil and socket carefully before using.

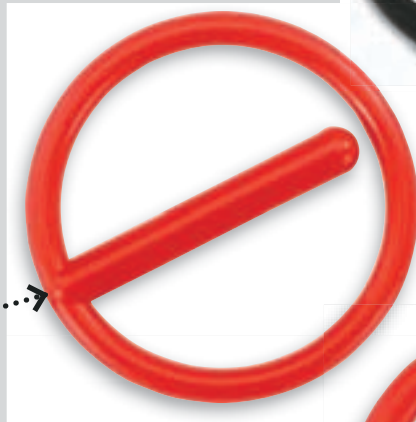
RETAINING RINGS

When used correctly, retaining rings improve both the safety and performance of pneumatic impact drivers. Proto® makes three styles.

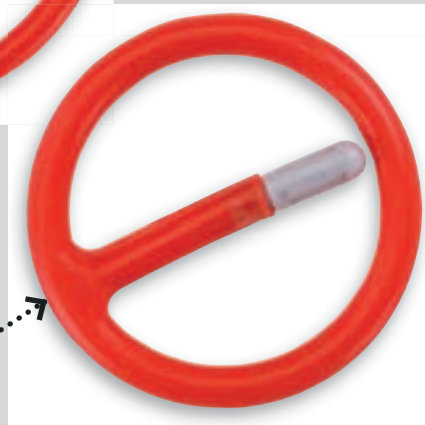
Traditional Rings are made in two pieces that include a steel pin and O-ring. To install, slip the pin through the socket and drive anvil and slip the O-ring into the socket groove.



One-Piece Rings eliminate having to handle two small parts. They work in much the same way, but the pin is integrated into the ring and installs quickly.

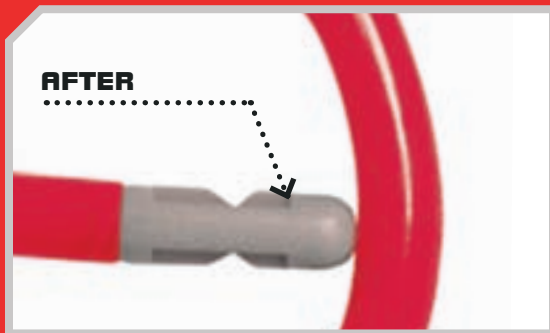


Crush Gauge Rings work like one-piece rings, but they are specially designed to indicate damage or wear on sockets and drive anvils. Fast and reliable, they add an element of safety to your work.

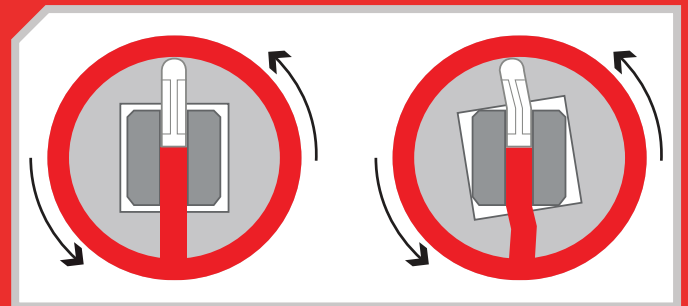




Straight Pin with Smooth Sides



Bent Pin with Notched Sides



HOW THE CRUSH GAUGE IMPROVES SAFETY

Cracked or worn sockets pose a safety hazard. Our Crush Gauge Ring can indicate wear before there's a catastrophic failure. When a socket is cracked or excessively worn or when an anvil is worn, the drive tool and socket don't rotate tightly together. That action crimps the pin or "crush gauge" on the retaining ring. If that happens, you know to inspect and replace the socket or drive anvil.



1/4" DRIVE 13 PIECE METRIC IMPACT SOCKET SET - 6 POINT

METRIC

Product #: **J69206**



- › Proto® 6 Point Impact Sockets are ideal for use on stubborn or damaged fasteners, and also on fasteners made from soft materials.
- › TorquePlus™ features apply.
- › Weight (lbs): 0.88



Contents	Description	ASME Spec.
J6904M	Socket, Impact 1/4" DR 4 mm 6 PT	ASME B107.33M
J6905M	Socket, Impact 1/4" DR 5 mm 6 PT	ASME B107.33M
J69055M	Socket, Impact 1/4" DR 5.5 mm 6 PT	ASME B107.33M
J6906M	Socket, Impact 1/4" DR 6 mm 6 PT	ASME B107.33M
J6907M	Socket, Impact 1/4" DR 7 mm 6 PT	ASME B107.33M
J6908M	Socket, Impact 1/4" DR 8 mm 6 PT	ASME B107.33M
J6909M	Socket, Impact 1/4" DR 9 mm 6 PT	ASME B107.33M
J6910M	Socket, Impact 1/4" DR 10 mm 6 PT	ASME B107.33M
J6911M	Socket, Impact 1/4" DR 11 mm 6 PT	ASME B107.33M
J6912M	Socket, Impact 1/4" DR 12 mm 6 PT	ASME B107.33M
J6913M	Socket, Impact 1/4" DR 13 mm 6 PT	ASME B107.33M
J6914M	Socket, Impact 1/4" DR 14 mm 6 PT	ASME B107.33M
J6915M	Socket, Impact 1/4" DR 15 mm 6 PT	ASME B107.33M
J2588	Socket, Bar 11"	
J2590	Socket, Clip 1/4" DR	

1/4" DRIVE 11 PIECE IMPACT SOCKET SET - 6 POINT

Product #: **J69106**



- › Proto® 6 Point Impact Sockets are ideal for use on stubborn or damaged fasteners, and also on fasteners made from soft materials.
- › TorquePlus™ features apply.
- › Weight (lbs): 0.66



Contents	Description	ASME Spec.
J6906H	Socket, Impact 1/4" DR 3/16" 6 PT	ASME B107.2
J6907H	Socket, Impact 1/4" DR 7/32" 6 PT	ASME B107.2
J6908H	Socket, Impact 1/4" DR 1/4" 6 PT	ASME B107.2
J6909H	Socket, Impact 1/4" DR 9/32" 6 PT	ASME B107.2
J6910H	Socket, Impact 1/4" DR 5/16" 6 PT	ASME B107.2
J6911H	Socket, Impact 1/4" DR 11/32" 6 PT	ASME B107.2
J6912H	Socket, Impact 1/4" DR 3/8" 6 PT	ASME B107.2
J6914H	Socket, Impact 1/4" DR 7/16" 6 PT	ASME B107.2
J6916H	Socket, Impact 1/4" DR 1/2" 6 PT	ASME B107.2
J6918H	Socket, Impact 1/4" DR 9/16" 6 PT	ASME B107.2
J6920H	Socket, Impact 1/4" DR 5/8" 6 PT	ASME B107.2
J2585	Socket, Bar 9"	
J2590	Socket, Clip 1/4" DR	



1/4" DRIVE 7 PIECE METRIC IMPACT SOCKET SET - 6 POINT

METRIC

Product #: J69202

- ▶ Proto® 6 Point Impact Sockets are ideal for use on stubborn or damaged fasteners, and also on fasteners made from soft materials.
- ▶ TorquePlus™ features apply.
- ▶ Weight (lbs): 0.40



Contents	Description	ASME Spec.
J6907M	Socket, Impact 1/4" DR 7 mm 6 PT	ASME B107.33M
J6908M	Socket, Impact 1/4" DR 8 mm 6 PT	ASME B107.33M
J6909M	Socket, Impact 1/4" DR 9 mm 6 PT	ASME B107.33M
J6910M	Socket, Impact 1/4" DR 10 mm 6 PT	ASME B107.33M
J6911M	Socket, Impact 1/4" DR 11 mm 6 PT	ASME B107.33M
J6912M	Socket, Impact 1/4" DR 12 mm 6 PT	ASME B107.33M
J6913M	Socket, Impact 1/4" DR 13 mm 6 PT	ASME B107.33M
J2584	Socket, Bar 6-1/4"	
J2590	Socket, Clip 1/4" DR	



1/4" DRIVE 6 PIECE IMPACT SOCKET SET - 6 POINT

Product #: J69102

- ▶ Proto® 6 Point Impact Sockets are ideal for use on stubborn or damaged fasteners, and also on fasteners made from soft materials.
- ▶ TorquePlus™ features apply.
- ▶ Size stamped on tool for easy identification.
- ▶ Side locking hole.
- ▶ Weight (lbs): 0.40



Contents	Description	ASME Spec.
J6908H	Socket, Impact 1/4" DR 1/4" 6 PT	ASME B107.2
J6910H	Socket, Impact 1/4" DR 5/16" 6 PT	ASME B107.2
J6912H	Socket, Impact 1/4" DR 3/8" 6 PT	ASME B107.2
J6914H	Socket, Impact 1/4" DR 7/16" 6 PT	ASME B107.2
J6916H	Socket, Impact 1/4" DR 1/2" 6 PT	ASME B107.2
J6918H	Socket, Impact 1/4" DR 9/16" 6 PT	ASME B107.2
J2584	Socket, Bar 6-1/4"	
J2590	Socket, Clip 1/4" DR	



FEATURES AND BENEFITS —

- ▶ High performance drive configuration allows for quick and easy socket engagement to the fastener flats, not the corners.
- ▶ Employs a radius-corner design, shifting contact area and stress away from the fastener corners and distributing contact stresses over a large area of the socket, minimizing slippage.
- ▶ The internal design minimizes fastener rounding, helps to extend fastener life, and allows the user to more easily turn worn, rounded, or rusted fasteners.





1/4" DRIVE 11 PIECE DEEP IMPACT SOCKET SET - 6 POINT

Product #: **J69116**



- › Proto® 6 Point Impact Sockets are ideal for use on stubborn or damaged fasteners, and also on fasteners made from soft materials.
- › TorquePlus™ features apply.
- › Size stamped on tool for easy identification.
- › Side locking hole.
- › Weight (lbs): 1.32



Contents	Description	ASME Spec.
J6506H	Socket, Impact 1/4" DR 3/16" 6 PT Deep	ASME B107.2
J6507H	Socket, Impact 1/4" DR 7/32" 6 PT Deep	ASME B107.2
J6508H	Socket, Impact 1/4" DR 1/4" 6 PT Deep	ASME B107.2
J6509H	Socket, Impact 1/4" DR 9/32" 6 PT Deep	ASME B107.2
J6510H	Socket, Impact 1/4" DR 5/16" 6 PT Deep	ASME B107.2
J6511H	Socket, Impact 1/4" DR 11/32" 6 PT Deep	ASME B107.2
J6512H	Socket, Impact 1/4" DR 3/8" 6 PT Deep	ASME B107.2
J6514H	Socket, Impact 1/4" DR 7/16" 6 PT Deep	ASME B107.2
J6516H	Socket, Impact 1/4" DR 1/2" 6 PT Deep	ASME B107.2
J6518H	Socket, Impact 1/4" DR 9/16" 6 PT Deep	ASME B107.2
J6520H	Socket, Impact 1/4" DR 5/8" 6 PT Deep	ASME B107.2
J2585	Socket, Bar 9"	
J2590	Socket, Clip 1/4" DR	

1/4" DRIVE 11 PIECE METRIC DEEP IMPACT SOCKET SET - 6 POINT

Product #: **J69212**



- › Proto® 6 Point Impact Sockets are ideal for use on stubborn or damaged fasteners, and also on fasteners made from soft materials.
- › TorquePlus™ features apply.
- › Weight (lbs): 1.36



Contents	Description	ASME Spec.
J6505MH	Socket, Impact 1/4" DR Metric - 5 mm 6 PT Deep	ASME B107.33M
J6506MH	Socket, Impact 1/4" DR Metric - 6 mm 6 PT Deep	ASME B107.33M
J6507MH	Socket, Impact 1/4" DR Metric - 7 mm 6 PT Deep	ASME B107.33M
J6508MH	Socket, Impact 1/4" DR Metric - 8 mm 6 PT Deep	ASME B107.33M
J6509MH	Socket, Impact 1/4" DR Metric - 9 mm 6 PT Deep	ASME B107.33M
J6510MH	Socket, Impact 1/4" DR Metric - 10 mm 6 PT Deep	ASME B107.33M
J6511MH	Socket, Impact 1/4" DR Metric - 11 mm 6 PT Deep	ASME B107.33M
J6512MH	Socket, Impact 1/4" DR Metric - 12 mm 6 PT Deep	ASME B107.33M
J6513MH	Socket, Impact 1/4" DR Metric - 13 mm 6 PT Deep	ASME B107.33M
J6514MH	Socket, Impact 1/4" DR Metric - 14 mm 6 PT Deep	ASME B107.33M
J6515MH	Socket, Impact 1/4" DR Metric - 15 mm 6 PT Deep	ASME B107.33M
J2585	Socket, Bar 9"	
J2590	Socket, Clip 1/4" DR	



1/4" DRIVE 9 PIECE METRIC IMPACT UNIVERSAL SOCKET SET - 12 POINT

METRIC

Product #: J62133M

- › Weight (lbs): 2.20

Contents	Description
J66555MP	Socket, Impact 1/4" DR Universal 5.5 mm 12 PT
J66506MP	Socket, Impact 1/4" DR Universal 6 mm 12 PT
J66507MP	Socket, Impact 1/4" DR Universal 7 mm 12 PT
J66508MP	Socket, Impact 1/4" DR Universal 8 mm 12 PT
J66509MP	Socket, Impact 1/4" DR Universal 9 mm 12 PT
J66510MP	Socket, Impact 1/4" DR Universal 10 mm 12 PT
J66511MP	Socket, Impact 1/4" DR Universal 11 mm 12 PT
J66512MP	Socket, Impact 1/4" DR Universal 12 mm 12 PT
J66513MP	Socket, Impact 1/4" DR Universal 13 mm 12 PT
J2590	Socket, Clip 1/4" DR
J2585	Socket, Bar 9"



IMPACT & POWER
SOCKETS



1/4-INCH DRIVE IMPACT SOCKET SETS

1/4" DRIVE 7 PIECE TORX® IMPACT SOCKET SET

Product #: J69132

- › Proto® 6 Point Impact Sockets are ideal for use on stubborn or damaged fasteners, and also on fasteners made from soft materials.
- › TorquePlus™ features apply.
- › Weight (lbs): 0.38



Contents	Description	Torx® Size
J6904TX	Socket, Impact Torx® 1/4" DR E4	E4
J6905TX	Socket, Impact Torx® 1/4" DR E5	E5
J6906TX	Socket, Impact Torx® 1/4" DR E6	E6
J6907TX	Socket, Impact Torx® 1/4" DR E7	E7
J6908TX	Socket, Impact Torx® 1/4" DR E8	E8
J6910TX	Socket, Impact Torx® 1/4" DR E10	E10
J6912TX	Socket, Impact Torx® 1/4" DR E12	E12
J2584	Socket, Bar 6-1/4"	
J2590	Socket, Clip 1/4" DR	



1/4" DRIVE IMPACT SOCKETS - 6 POINT

- › Proto® 6 Point Impact Sockets are ideal for use on stubborn or damaged fasteners, and also on fasteners made from soft materials.
- › TorquePlus™ features apply.
- › Socket size stamped on tool for easy identification.
- › Side locking hole.



Product #	Size (in) (A)	Nut End Outside Dia. (in) (B)	Drive End Outside Dia. (in) (C)	Nut Depth (in) (D)	Bolt Clearance Depth (in) (E)	Overall Length (in) (L)	Weight (lbs)
J6906H	3/16	5/16	1/2	11/64	1/2	7/8	0.04
J6907H	7/32	11/32	1/2	13/64	1/2	7/8	0.03
J6908H	1/4	25/64	1/2	7/32	1/2	7/8	0.03
J6909H	9/32	7/16	1/2	15/64	1/2	7/8	0.03
J6910H	5/16	1/2	1/2	15/64	1/2	7/8	0.03
J6911H	11/32	33/64	33/64	17/64	1/2	7/8	0.04
J6912H	3/8	9/16	9/16	17/64	1/2	7/8	0.04
J6914H	7/16	21/32	21/32	5/16	1/2	7/8	0.05
J6916H	1/2	45/64	11/16	3/8	1/2	7/8	0.05
J6918H	9/16	51/64	51/64	3/8	1/2	7/8	0.08
J6920H	5/8	7/8	7/8	3/8	1/2	7/8	0.09

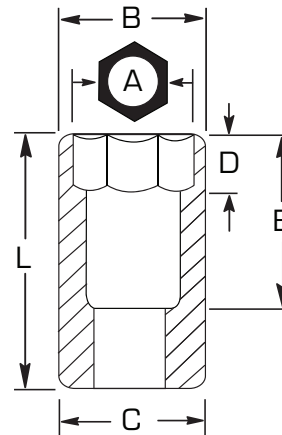


ASME B107.2

FEATURES AND BENEFITS —



- › High performance drive configuration allows for quick and easy socket engagement to the fastener flats, not the corners.
- › Employs a radius-corner design, shifting contact area and stress away from the fastener corners and distributing contact stresses over a large area of the socket, minimizing slippage.
- › The internal design minimizes fastener rounding, helps to extend fastener life, and allows the user to more easily turn worn, rounded, or rusted fasteners.



1/4" DRIVE METRIC IMPACT SOCKETS - 6 POINT

METRIC

- › Proto® 6 Point Impact Sockets are ideal for use on stubborn or damaged fasteners, and also on fasteners made from soft materials.
- › TorquePlus™ features apply.
- › Socket size stamped on tool for easy identification.
- › Side locking hole.



Product #	Size (mm) (A)	Nut End Outside Dia. (in) (B)	Drive End Outside Dia. (in) (C)	Nut Depth (in) (D)	Bolt Clearance Depth (in) (E)	Overall Length (in) (L)	Weight (lbs)
J6904M	4	17/64	1/2	5/32	1/2	7/8	0.03
J6905M	5	5/16	1/2	3/16	1/2	7/8	0.04
J69055M	5.5	11/32	1/2	3/16	1/2	7/8	0.04
J6906M	6	25/64	1/2	7/32	1/2	7/8	0.03
J6907M	7	7/16	1/2	7/32	1/2	7/8	0.03
J6908M	8	1/2	1/2	7/32	1/2	7/8	0.04
J6909M	9	33/64	33/64	1/4	1/2	7/8	0.04
J6910M	10	9/16	9/16	1/4	1/2	7/8	0.04
J6911M	11	21/32	21/32	9/32	1/2	7/8	0.05
J6912M	12	11/16	11/16	19/64	1/2	7/8	0.06
J6913M	13	23/32	23/32	5/16	1/2	7/8	0.07
J6914M	14	51/64	51/64	3/8	1/2	7/8	0.08
J6915M	15	53/64	53/64	3/8	1/2	7/8	0.08



ASME B107.33M

1/4" DRIVE DEEP IMPACT SOCKETS - 6 POINT

- › Proto® 6 Point Impact Sockets are ideal for use on stubborn or damaged fasteners, and also on fasteners made from soft materials.
- › TorquePlus™ features apply.
- › Socket size stamped on tool for easy identification.
- › Side locking hole.



Product #	Size (in) (A)	Nut End Outside Dia. (in) (B)	Drive End Outside Dia. (in) (C)	Nut Depth (in) (D)	Bolt Clearance Depth (in) (E)	Overall Length (in) (L)	Weight (lbs)
J6506H	3/16	5/16	1/2	1/4	1-5/8	2	0.08
J6507H	7/32	23/64	1/2	7/64	1-5/8	2	0.08
J6508H	1/4	25/64	1/2	9/32	1-5/8	2	0.08
J6509H	9/32	7/16	1/2	19/64	1-5/8	2	0.08
J6510H	5/16	1/2	1/2	5/16	1-5/8	2	0.07
J6511H	11/32	33/64	33/64	11/32	1-5/8	2	0.07
J6512H	3/8	9/16	9/16	3/8	1-5/8	2	0.09
J6514H	7/16	21/32	21/32	3/8	1-5/8	2	0.12
J6516H	1/2	11/16	11/16	7/16	1-5/8	2	0.12
J6518H	9/16	51/64	51/64	7/16	1-5/8	2	0.15
J6520H	5/8	7/8	7/8	7/16	1-5/8	2	0.12



ASME B107.2



1/4" DRIVE METRIC DEEP IMPACT SOCKETS - 6 POINT



- › Proto® 6 Point Impact Sockets are ideal for use on stubborn or damaged fasteners, and also on fasteners made from soft materials.
- › TorquePlus™ features apply.
- › Socket size stamped on tool for easy identification.
- › Side locking hole.



Product #	Size (mm)	Nut End		Drive End		Nut		Bolt Clearance		Overall Length		Weight (lbs)
	(A)	Outside Dia. (in) (B)	Outside Dia. (in) (C)	Outside Dia. (in) (C)	Depth (in) (D)	Depth (in) (D)	Depth (in) (E)	Depth (in) (E)	(in) (L)	(in) (L)		
J6505MH	5	5/16	1/2	1/2	1/4	1-5/8	2	0.08				
J65055MH	5.5	23/64	1/2	1/2	17/64	1-5/8	2	0.09				
J6506MH	6	25/64	1/2	1/2	9/32	1-5/8	2	0.08				
J6507MH	7	7/16	1/2	1/2	19/64	1-5/8	2	0.08				
J6508MH	8	1/2	1/2	1/2	5/16	1-5/8	2	0.07				
J6509MH	9	33/64	33/64	33/64	5/16	1-5/8	2	0.07				
J6510MH	10	9/16	9/16	9/16	3/8	1-5/8	2	0.08				
J6511MH	11	21/32	21/32	21/32	3/8	1-5/8	2	0.11				
J6512MH	12	11/16	11/16	11/16	13/32	1-5/8	2	0.13				
J6513MH	13	23/32	23/32	23/32	7/16	1-5/8	2	0.14				
J6514MH	14	51/64	51/64	51/64	7/16	1-5/8	2	0.18				
J6515MH	15	53/64	53/64	53/64	7/16	1-5/8	2	0.18				



ASME B107.33M

1/4" DRIVE HIGH STRENGTH MAGNETIC SOCKETS - 6 POINT

- › ProtoGrip™ Magnetic Sockets use high-strength magnets made from a rare earth magnet alloy/nylon blend.
- › ProtoGrip™ Magnetic Sockets require no bushings to hold the magnet in place. Allows room for more magnet material, helping increase total magnetic strength.
- › Designed to easily pick up heavy fasteners and hold them tightly during use.
- › Strong magnetic hold helps increase efficiency when installing fasteners in awkward or hard-to-reach locations.
- › Impact sockets with high impact strength are used in automated and hand impact socket applications.
- › Size stamped on tool for easy identification.



Product #	Size (in)	Nut End		Drive End		Nut		Overall Length		Weight (lbs)
	(A)	Outside Dia. (in) (B)	Outside Dia. (in) (C)	Outside Dia. (in) (C)	Depth (in) (D)	Depth (in) (D)	Depth (in) (D)	(in) (L)	(in) (L)	
J6906HF	3/16	5/16	1/2	1/2	5/32	7/8	0.03			
J6908HF	1/4	25/64	1/2	1/2	11/64	7/8	0.04			
J6910HF	5/16	1/2	1/2	1/2	13/64	59/64	0.04			
J6912HF	3/8	9/16	9/16	9/16	15/64	15/16	0.05			
J6914HF	7/16	21/32	21/32	21/32	1/4	1	0.07			
J6916HF	1/2	11/16	11/16	11/16	1/4	1	0.07			



ASME B107.2



1/4" DRIVE METRIC HIGH STRENGTH MAGNETIC IMPACT SOCKETS - 6 POINT

METRIC

- ▶ ProtoGrip™ Magnetic Sockets use high-strength magnets made from a rare earth magnet alloy/nylon blend.
- ▶ ProtoGrip™ Magnetic Sockets require no bushings to hold the magnet in place. Allows room for more magnet material, helping increase total magnetic strength.
- ▶ Designed to easily pick up heavy fasteners and hold them tightly during use.
- ▶ Strong magnetic hold helps increase efficiency when installing fasteners in awkward or hard-to-reach locations.
- ▶ Impact sockets with high impact strength are used in automated and hand impact socket applications.
- ▶ Size stamped on tool for easy identification.



Product #	Size (mm) (A)	Nut End Outside Dia. (in) (B)	Drive End Outside Dia. (in) (C)	Nut Depth (in) (D)	Overall Length (in) (L)	Weight (lbs)
J6905MHF	5	5/16	1/2	1/16	7/8	0.03
J69055MHF	5.5	23/64	1/2	3/32	7/8	0.03
J6906MHF	6	25/64	1/2	7/64	7/8	0.06
J6907MHF	7	25/64	1/2	7/64	15/16	0.04
J6908MHF	8	1/2	1/2	1/8	15/16	0.04
J6910MHF	10	9/16	9/16	5/32	15/16	0.05



ASME B107.33



1/4" DRIVE UNIVERSAL IMPACT SOCKETS - 12 POINT

Product #	Size (in)	Drive End Outside Dia. (in) (C)	Overall Length (in) (L)	Weight (lbs)
J66308P	1/4	5/8	1-9/32	0.27
J66310P	5/16	5/8	1-11/32	0.27
J66312P	3/8	5/8	1-15/32	0.30
J66314P	7/16	5/8	1-1/2	0.32
J66316P	1/2	5/8	1-5/8	0.33



1/4" DRIVE METRIC UNIVERSAL IMPACT SOCKETS - 12 POINT

Product #	Size (mm)	Drive End		Overall	
		Outside Dia. (in) (C)	Length (in) (L)	Weight (lbs)	
J66506MP	6	5/8	1-9/32	0.27	
J66507MP	7	5/8	1-5/16	0.27	
J66508MP	8	5/8	1-11/32	0.28	
J66509MP	9	5/8	1-3/8	0.30	
J66510MP	10	5/8	1-7/16	0.31	
J66511MP	11	5/8	1-1/2	0.31	
J66512MP	12	5/8	1-17/32	0.32	
J66513MP	13	5/8	1-19/32	0.32	
J66555MP	5.5	5/8	1-1/4	0.27	



1/4" DRIVE IMPACT UNIVERSAL JOINT

- › Tight tolerances for snug fit on fastener.
- › Used wherever powered drive tools are used to install or remove fasteners.
- › Designed to withstand the high torque and force associated with impact tools in repetitive application.
- › Features two through holes and a groove to accept a Proto® Retaining Ring or pin and O-ring to help secure the socket to the drive tool anvil.
- › Position at appropriate angle to turn fasteners where obstructions prevent a straight application.
- › Ball and spring design which allows for a 30° working angle.
- › Smooth 360° rotation.

Product #	Drive End Outside Dia. (in) (C)	Overall Length (in) (L)	Weight (lbs)
J66170P	5/8	1-3/8	0.27



1/4" DRIVE TORX® IMPACT SOCKETS

- › Made of alloy steel.
- › Black oxide finish.
- › For use with Torx® style fasteners.



Product #	Torx® Size	Nut End Outside Dia. (B)	Drive End Outside Dia. (C)	Nut Depth (D)	Overall Length (in)	Weight (lbs)
J6904TX	E4	1/4	7/16	13/64	1	0.03
J6905TX	E5	1/4	7/16	7/32	1	0.04
J6906TX	E6	5/16	7/16	15/64	1	0.02
J6907TX	E7	21/64	1/2	9/32	1	0.03
J6908TX	E8	3/8	19/64	19/64	1	0.03
J6910TX	E10	1/2	1/2	11/32	1	0.05
J6912TX	E12	9/16	9/16	25/64	1	0.05



3/8" DRIVE 19 PIECE METRIC IMPACT SOCKET SET - 6 POINT

METRIC

Product #: J72206



Contents	Description	ASME Spec.
J7206M	Socket, Impact 3/8" DR 6 mm 6 PT	ASME B107.33M
J7207M	Socket, Impact 3/8" DR 7 mm 6 PT	ASME B107.33M
J7208M	Socket, Impact 3/8" DR 8 mm 6 PT	ASME B107.33M
J7209M	Socket, Impact 3/8" DR 9 mm 6 PT	ASME B107.33M
J7210M	Socket, Impact 3/8" DR 10 mm 6 PT	ASME B107.33M
J7211M	Socket, Impact 3/8" DR 11 mm 6 PT	ASME B107.33M
J7212M	Socket, Impact 3/8" DR 12 mm 6 PT	ASME B107.33M
J7213M	Socket, Impact 3/8" DR 13 mm 6 PT	ASME B107.33M
J7214M	Socket, Impact 3/8" DR 14 mm 6 PT	ASME B107.33M
J7215M	Socket, Impact 3/8" DR 15 mm 6 PT	ASME B107.33M
J7216M	Socket, Impact 3/8" DR 16 mm 6 PT	ASME B107.33M
J7217M	Socket, Impact 3/8" DR 17 mm 6 PT	ASME B107.33M
J7218M	Socket, Impact 3/8" DR 18 mm 6 PT	ASME B107.33M
J7219M	Socket, Impact 3/8" DR 19 mm 6 PT	ASME B107.33M
J7220M	Socket, Impact 3/8" DR 20 mm 6 PT	ASME B107.33M
J7221M	Socket, Impact 3/8" DR 21 mm 6 PT	ASME B107.33M
J7222M	Socket, Impact 3/8" DR 22 mm 6 PT	ASME B107.33M
J7223M	Socket, Impact 3/8" DR 23 mm 6 PT	ASME B107.33M
J7224M	Socket, Impact 3/8" DR 24 mm 6 PT	ASME B107.33M
J2587	Socket, Bar 17"	
J2591	Socket, Clip 3/8" DR	

- › Proto® 6 Point Impact Sockets are ideal for use on stubborn or damaged fasteners, and also on fasteners made from soft materials.
- › TorquePlus™ features apply.
- › Weight (lbs): 2.79



3/8" DRIVE 19 PIECE METRIC DEEP IMPACT SOCKET SET - 6 POINT

Product #: J72216



- › Proto® 6 Point Impact Sockets are ideal for use on stubborn or damaged fasteners, and also on fasteners made from soft materials.
- › TorquePlus™ features apply.
- › Weight (lbs): 6.43



Contents	Description	ASME Spec.
J7006M	Socket, Impact 3/8" DR 6 mm 6 PT Deep	ASME B107.33M
J7007M	Socket, Impact 3/8" DR 7 mm 6 PT Deep	ASME B107.33M
J7008M	Socket, Impact 3/8" DR 8 mm 6 PT Deep	ASME B107.33M
J7009M	Socket, Impact 3/8" DR 9 mm 6 PT Deep	ASME B107.33M
J7010M	Socket, Impact 3/8" DR 10 mm 6 PT Deep	ASME B107.33M
J7011M	Socket, Impact 3/8" DR 11 mm 6 PT Deep	ASME B107.33M
J7012M	Socket, Impact 3/8" DR 12 mm 6 PT Deep	ASME B107.33M
J7013M	Socket, Impact 3/8" DR 13 mm 6 PT Deep	ASME B107.33M
J7014M	Socket, Impact 3/8" DR 14 mm 6 PT Deep	ASME B107.33M
J7015M	Socket, Impact 3/8" DR 15 mm 6 PT Deep	ASME B107.33M
J7016M	Socket, Impact 3/8" DR 16 mm 6 PT Deep	ASME B107.33M
J7017M	Socket, Impact 3/8" DR 17 mm 6 PT Deep	ASME B107.33M
J7018M	Socket, Impact 3/8" DR 18 mm 6 PT Deep	ASME B107.33M
J7019M	Socket, Impact 3/8" DR 19 mm 6 PT Deep	ASME B107.33M
J7020M	Socket, Impact 3/8" DR 20 mm 6 PT Deep	ASME B107.33M
J7021M	Socket, Impact 3/8" DR 21 mm 6 PT Deep	ASME B107.33M
J7022M	Socket, Impact 3/8" DR 22 mm 6 PT Deep	ASME B107.33M
J7023M	Socket, Impact 3/8" DR 23 mm 6 PT Deep	ASME B107.33M
J7024M	Socket, Impact 3/8" DR 24 mm 6 PT Deep	ASME B107.33M
J2587	Socket, Bar 17"	
J2591	Socket, Clip 3/8" DR	



3/8" DRIVE 15 PIECE DEEP IMPACT SOCKET SET - 6 POINT

Product #: **J72116**



- › Proto® 6 Point Impact Sockets are ideal for use on stubborn or damaged fasteners, and also on fasteners made from soft materials.
- › TorquePlus™ features apply.
- › Weight (lbs): 5.81



Contents	Description	ASME Spec.
J7708H	Socket, Impact 3/8" DR 1/4" 6 PT Deep	ASME B107.2
J7709H	Socket, Impact 3/8" DR 9/32" 6 PT Deep	ASME B107.2
J7710H	Socket, Impact 3/8" DR 5/16" 6 PT Deep	ASME B107.2
J7711H	Socket, Impact 3/8" DR 11/32" 6 PT Deep	ASME B107.2
J7712H	Socket, Impact 3/8" DR 3/8" 6 PT Deep	ASME B107.2
J7714H	Socket, Impact 3/8" DR 7/16" 6 PT Deep	ASME B107.2
J7716H	Socket, Impact 3/8" DR 1/2" 6 PT Deep	ASME B107.2
J7718H	Socket, Impact 3/8" DR 9/16" 6 PT Deep	ASME B107.2
J7720H	Socket, Impact 3/8" DR 5/8" 6 PT Deep	ASME B107.2
J7722H	Socket, Impact 3/8" DR 11/16" 6 PT Deep	ASME B107.2
J7724H	Socket, Impact 3/8" DR 3/4" 6 PT Deep	ASME B107.2
J7726H	Socket, Impact 3/8" DR 13/16" 6 PT Deep	ASME B107.2
J7728H	Socket, Impact 3/8" DR 7/8" 6 PT Deep	ASME B107.2
J7730H	Socket, Impact 3/8" DR 15/16" 6 PT Deep	ASME B107.2
J7732H	Socket, Impact 3/8" DR 1" 6 PT Deep	ASME B107.2
J2587	Socket, Bar 17"	
J2591	Socket, Clip 3/8" DR	

3/8" DRIVE 15 PIECE IMPACT SOCKET SET - 6 POINT

Product #: **J72106**



- › Proto® 6 Point Impact Sockets are ideal for use on stubborn or damaged fasteners, and also on fasteners made from soft materials.
- › TorquePlus™ features apply.
- › Weight (lbs): 2.89



Contents	Description	ASME Spec.
J7208H	Socket, Impact 3/8" DR 1/4" 6 PT	ASME B107.2
J7209H	Socket, Impact 3/8" DR 9/32" 6 PT	ASME B107.2
J7210H	Socket, Impact 3/8" DR 5/16" 6 PT	ASME B107.2
J7211H	Socket, Impact 3/8" DR 11/32" 6 PT	ASME B107.2
J7212H	Socket, Impact 3/8" DR 3/8" 6 PT	ASME B107.2
J7214H	Socket, Impact 3/8" DR 7/16" 6 PT	ASME B107.2
J7216H	Socket, Impact 3/8" DR 1/2" 6 PT	ASME B107.2
J7218H	Socket, Impact 3/8" DR 9/16" 6 PT	ASME B107.2
J7220H	Socket, Impact 3/8" DR 5/8" 6 PT	ASME B107.2
J7222H	Socket, Impact 3/8" DR 11/16" 6 PT	ASME B107.2
J7224H	Socket, Impact 3/8" DR 3/4" 6 PT	ASME B107.2
J7226H	Socket, Impact 3/8" DR 13/16" 6 PT	ASME B107.2
J7228H	Socket, Impact 3/8" DR 7/8" 6 PT	ASME B107.2
J7230H	Socket, Impact 3/8" DR 15/16" 6 PT	ASME B107.2
J7232H	Socket, Impact 3/8" DR 1" 6 PT	ASME B107.2
J2587	Socket, Bar 17"	
J2591	Socket, Clip 3/8" DR	



3/8" DRIVE 13 PIECE HAND IMPACT DRIVER SET

Product #: **J7099A**

Contents	Description
J7099	Driver, Hand Impact 3/8" DR 5-1/2"
J60002	Bit, Insert #1 Phillips® 1/4" Hex
J60008	Bit, Insert #2 Phillips® 1/4" Hex
J60020	Bit, Insert #3 Phillips® 1/4" Hex
J60202	Bit, Insert 3/16" Slotted 1/4" Hex
J60208	Bit, Insert 9/32" Slotted 1/4" Hex
J60050	Bit, Insert #1 Phillips® 5/16" Hex
J60052	Bit, Insert #2 Phillips® 5/16" Hex
J60054	Bit, Insert #3 Phillips® 5/16" Hex
J60256	Bit, Insert 3/16" Slotted 5/16" Hex
J60262	Bit, Insert 9/32" Slotted 5/16" Hex
J6930	Bit, Holder Power 3/8" DR 5/16" Hex
J6931	Bit, Holder Power 3/8" DR 1/4" Hex

- › Designed to loosen hard to turn bolts and nuts.
- › Hand impact driver has heavy-duty spring for added torque.
- › Popular interchangeable bits are packaged in plastic blow-molded box for easy storage.
- › Weight (lbs): 2.31



3/8" DRIVE 12 PIECE METRIC THIN WALL DEEP IMPACT SOCKET SET - 6 POINT

Product #: **J72217**

- › Specifically designed for light clearance applications.
- › Reduced wall thickness helps improve access to fasteners in restricted areas.
- › All Impact sockets feature one through hole and a groove to accept a retaining ring and pin to secure the socket to the power tool anvil.
- › Chamfered service ends for quick and positive fastener engagement.
- › Proto® 6 Point Impact Sockets are ideal for use on stubborn or damaged fasteners, and also on fasteners made from soft materials.
- › TorquePlus™ features apply.
- › Designed to fit into smaller spaces.
- › Thinner walls help improve productivity by making it easier to gain access to fasteners in confined spaces.
- › Extra deep length helps improve access in confined areas.
- › Often used in application where fasteners are close together, such as tire service.
- › Weight (lbs): 1.92

METRIC



Contents	Description
J7008MHT	Socket, Deep Thin Wall Metric Impact 3/8" DR 8 mm 6 PT
J7009MHT	Socket, Deep Thin Wall Metric Impact 3/8" DR 9 mm 6 PT
J7010MHT	Socket, Deep Thin Wall Metric Impact 3/8" DR 10 mm 6 PT
J7011MHT	Socket, Deep Thin Wall Metric Impact 3/8" DR 11 mm 6 PT
J7012MHT	Socket, Deep Thin Wall Metric Impact 3/8" DR 12 mm 6 PT
J7013MHT	Socket, Deep Thin Wall Metric Impact 3/8" DR 13 mm 6 PT
J7014MHT	Socket, Deep Thin Wall Metric Impact 3/8" DR 14 mm 6 PT
J7015MHT	Socket, Deep Thin Wall Metric Impact 3/8" DR 15 mm 6 PT
J7016MHT	Socket, Deep Thin Wall Metric Impact 3/8" DR 16 mm 6 PT
J7017MHT	Socket, Deep Thin Wall Metric Impact 3/8" DR 17 mm 6 PT
J7018MHT	Socket, Deep Thin Wall Metric Impact 3/8" DR 18 mm 6 PT
J7019MHT	Socket, Deep Thin Wall Metric Impact 3/8" DR 19 mm 6 PT



3/8" DRIVE 11 PIECE METRIC IMPACT SOCKET SET - 6 POINT



Product #: J72202



Contents	Description	ASME Spec.
J7207M	Socket, Impact 3/8" DR 7 mm 6 PT	ASME B107.33M
J7208M	Socket, Impact 3/8" DR 8 mm 6 PT	ASME B107.33M
J7209M	Socket, Impact 3/8" DR 9 mm 6 PT	ASME B107.33M
J7210M	Socket, Impact 3/8" DR 10 mm 6 PT	ASME B107.33M
J7211M	Socket, Impact 3/8" DR 11 mm 6 PT	ASME B107.33M
J7212M	Socket, Impact 3/8" DR 12 mm 6 PT	ASME B107.33M
J7213M	Socket, Impact 3/8" DR 13 mm 6 PT	ASME B107.33M
J7214M	Socket, Impact 3/8" DR 14 mm 6 PT	ASME B107.33M
J7215M	Socket, Impact 3/8" DR 15 mm 6 PT	ASME B107.33M
J7216M	Socket, Impact 3/8" DR 16 mm 6 PT	ASME B107.33M
J7217M	Socket, Impact 3/8" DR 17 mm 6 PT	ASME B107.33M
J2585	Socket, Bar 9"	
J2591	Socket, Clip 3/8" DR	

- › Proto® 6 Point Impact Sockets are ideal for use on stubborn or damaged fasteners, and also on fasteners made from soft materials.
- › TorquePlus™ features apply.
- › Weight (lbs): 1.14



3/8" DRIVE 11 PIECE METRIC DEEP IMPACT SOCKET SET - 6 POINT



Product #: J72212



- › Proto® 6 Point Impact Sockets are ideal for use on stubborn or damaged fasteners, and also on fasteners made from soft materials.
- › TorquePlus™ features apply.
- › Weight (lbs): 2.71



Contents	Description	ASME Spec.
J7007M	Socket, Impact 3/8" DR 7 mm 6 PT Deep	ASME B107.33M
J7008M	Socket, Impact 3/8" DR 8 mm 6 PT Deep	ASME B107.33M
J7009M	Socket, Impact 3/8" DR 9 mm 6 PT Deep	ASME B107.33M
J7010M	Socket, Impact 3/8" DR 10 mm 6 PT Deep	ASME B107.33M
J7011M	Socket, Impact 3/8" DR 11 mm 6 PT Deep	ASME B107.33M
J7012M	Socket, Impact 3/8" DR 12 mm 6 PT Deep	ASME B107.33M
J7013M	Socket, Impact 3/8" DR 13 mm 6 PT Deep	ASME B107.33M
J7014M	Socket, Impact 3/8" DR 14 mm 6 PT Deep	ASME B107.33M
J7015M	Socket, Impact 3/8" DR 15 mm 6 PT Deep	ASME B107.33M
J7016M	Socket, Impact 3/8" DR 16 mm 6 PT Deep	ASME B107.33M
J7017M	Socket, Impact 3/8" DR 17 mm 6 PT Deep	ASME B107.33M
J2585	Socket, Bar 9"	
J2591	Socket, Clip 3/8" DR	

FEATURES AND BENEFITS — TORQUEPLUS FASTENING SYSTEM

- › High performance drive configuration allows for quick and easy socket engagement to the fastener flats, not the corners.
- › Employs a radius-corner design, shifting contact area and stress away from the fastener corners and distributing contact stresses over a large area of the socket, minimizing slippage.
- › The internal design minimizes fastener rounding, helps to extend fastener life, and allows the user to more easily turn worn, rounded, or rusted fasteners.



3/8" DRIVE 9 PIECE IMPACT SOCKET SET - 6 POINT

Product #: **J72102**



- ▶ Proto® 6 Point Impact Sockets are ideal for use on stubborn or damaged fasteners, and also on fasteners made from soft materials.
- ▶ TorquePlus™ features apply.
- ▶ Weight (lbs): 1.07



Contents	Description	ASME Spec.
J7208H	Socket, Impact 3/8" DR 1/4" 6 PT	ASME B107.2
J7210H	Socket, Impact 3/8" DR 5/16" 6 PT	ASME B107.2
J7212H	Socket, Impact 3/8" DR 3/8" 6 PT	ASME B107.2
J7216H	Socket, Impact 3/8" DR 1/2" 6 PT	ASME B107.2
J7218H	Socket, Impact 3/8" DR 9/16" 6 PT	ASME B107.2
J7220H	Socket, Impact 3/8" DR 5/8" 6 PT	ASME B107.2
J7222H	Socket, Impact 3/8" DR 11/16" 6 PT	ASME B107.2
J7224H	Socket, Impact 3/8" DR 3/4" 6 PT	ASME B107.2
J7214H	Socket, Impact 3/8" DR 7/16" 6 PT	ASME B107.2
J2585	Socket, Bar 9"	
J2591	Socket, Clip 3/8" DR	

3/8" DRIVE 9 PIECE DEEP IMPACT SOCKET SET - 6 POINT

Product #: **J72112**



- ▶ Proto® 6 Point Impact Sockets are ideal for use on stubborn or damaged fasteners, and also on fasteners made from soft materials.
- ▶ TorquePlus™ features apply.
- ▶ Weight (lbs): 2.42



Contents	Description	ASME Spec.
J7708H	Socket, Impact 3/8" DR 1/4" 6 PT Deep	ASME B107.2
J7710H	Socket, Impact 3/8" DR 5/16" 6 PT Deep	ASME B107.2
J7712H	Socket, Impact 3/8" DR 3/8" 6 PT Deep	ASME B107.2
J7714H	Socket, Impact 3/8" DR 7/16" 6 PT Deep	ASME B107.2
J7716H	Socket, Impact 3/8" DR 1/2" 6 PT Deep	ASME B107.2
J7718H	Socket, Impact 3/8" DR 9/16" 6 PT Deep	ASME B107.2
J7720H	Socket, Impact 3/8" DR 5/8" 6 PT Deep	ASME B107.2
J7722H	Socket, Impact 3/8" DR 11/16" 6 PT Deep	ASME B107.2
J7724H	Socket, Impact 3/8" DR 3/4" 6 PT Deep	ASME B107.2
J2585	Socket, Bar 9"	
J2591	Socket, Clip 3/8" DR	

3/8" DRIVE 9 PIECE THIN WALL DEEP IMPACT SOCKET SET - 6 POINT

Product #: J72117



- › Specifically designed for light clearance applications.
- › Reduced wall thickness helps improve access to fasteners in restricted areas.
- › All impact sockets feature one through hole and a groove to accept a retaining ring and pin to secure the socket to the power tool anvil.
- › Chamfered service ends for quick and positive fastener engagement.
- › Proto® 6 Point Impact Sockets are ideal for use on stubborn or damaged fasteners, and also on fasteners made from soft materials.
- › TorquePlus™ features apply.
- › Thin wall sockets are lightweight.
- › Extra deep length helps improve access in confined areas.
- › Often used in application where fasteners are close together, such as tire service.
- › Weight (lbs): 1.54



Contents	Description	ASME Spec.
J7708HT	Socket, Impact Deep Thin Wall 3/8" DR 1/4" 6 PT	ASME B107.2
J7710HT	Socket, Impact Deep Thin Wall 3/8" DR 5/16" 6 PT	ASME B107.2
J7712HT	Socket, Impact Deep Thin Wall 3/8" DR 3/8" 6 PT	ASME B107.2
J7714HT	Socket, Impact Deep Thin Wall 3/8" DR 7/16" 6 PT	ASME B107.2
J7716HT	Socket, Impact Deep Thin Wall 3/8" DR 1/2" 6 PT	ASME B107.2
J7718HT	Socket, Impact Deep Thin Wall 3/8" DR 9/16" 6 PT	ASME B107.2
J7720HT	Socket, Impact Deep Thin Wall 3/8" DR 5/8" 6 PT	ASME B107.2
J7722HT	Socket, Impact Deep Thin Wall 3/8" DR 11/16" 6 PT	ASME B107.2
J7724HT	Socket, Impact Deep Thin Wall 3/8" DR 3/4" 6 PT	ASME B107.2

3/8" DRIVE 7 PIECE TORX® BIT SET

Product #: J4739P



Contents	Description	Torx® Size
J60508	Bit, Insert T10 Torx® 1/4" Hex	T10
J60510	Bit, Insert T15 Torx® 1/4" Hex	T15
J60512	Bit, Insert T20 Torx® 1/4" Hex	T20
J60514	Bit, Insert T25 Torx® 1/4" Hex	T25
J60516	Bit, Insert T27 Torx® 1/4" Hex	T27
J60518	Bit, Insert T30 Torx® 1/4" Hex	T30
J6931	Bit Holder, Power 3/8" DR 1/4" Hex	
J25TR50C	Pouch	

- › Not for use on impact applications.
- › 3/8" DR, 5/16" Hex.
- › Weight (lbs): 0.19



3/8" DRIVE 7 PIECE TORX® IMPACT SOCKET SET

Product #: J72132



Contents	Description	Torx® Size
J7206TX	Socket, Impact 3/8" DR E6 Torx®	E6
J7207TX	Socket, Impact 3/8" DR E7 Torx®	E7
J7208TX	Socket, Impact 3/8" DR E8 Torx®	E8
J7210TX	Socket, Impact 3/8" DR E10 Torx®	E10
J7212TX	Socket, Impact 3/8" DR E12 Torx®	E12
J7214TX	Socket, Impact 3/8" DR E14 Torx®	E14
J7216TX	Socket, Impact 3/8" DR E16 Torx®	E16
J2584	Socket, Bar 6-1/4"	
J2591	Socket, Clip 3/8" DR	

- › Proto® Torx® Impact Sockets can be used on stubborn Torx® fasteners.
- › Tight tolerances for snug fit on fastener.
- › Torx® impact sockets are used wherever powered drive tools are used to install or remove fasteners.
- › Torx® impact sockets are designed to withstand the high torque and force associated with impact tools in repetitive application.
- › Weight (lbs): 0.62



3/8" AND 1/2" DRIVE 10 PIECE HEX BIT IMPACT SOCKET SET

Product #: J72156

- ▶ Proto® Hex Bit Impact Sockets can be used on stubborn fasteners.
- ▶ Drive end chamfer and four detents help provide quick positive engagement with drive tool on any of the socket drive walls.
- ▶ Large clearance holes, concentric opening and nut end chamfer make it easy to position socket on fasteners.
- ▶ Made from high strength steel to help minimize wall thickness and provide access to fasteners in recesses and where nuts and bolts protrude.
- ▶ Impact sockets are used wherever powered drive tools are used to install or remove fasteners.
- ▶ Impact sockets are designed to withstand higher torque and force associated with impact tools in repetitive application.
- ▶ Tight tolerances for snug fit on fastener.
- ▶ Hex bit impact sockets are used wherever powered drive tools are used to install or remove fasteners.
- ▶ Hex bit impact sockets are designed to withstand the high torque and force associated with impact tools in repetitive application.
- ▶ Side locking hole.
- ▶ Weight (lbs): 2.56

Contents	Description
J72901/8	Socket, Impact Hex Bit 3/8" DR 1/8"
J72905/32	Socket, Impact Hex Bit 3/8" DR 5/32"
J72903/16	Socket, Impact Hex Bit 3/8" DR 13/16"
J72907/32	Socket, Impact Hex Bit 3/8" DR 7/32"
J72901/4	Socket, Impact Hex Bit 3/8" DR 1/4"
J72905/16	Socket, Impact Hex Bit 3/8" DR 5/16"
J72903/8	Socket, Impact Hex Bit 3/8" DR 3/8"
J74411/2	Socket, Impact Hex Bit 1/2" DR 1/2"
J74419/16	Socket, Impact Hex Bit 1/2" DR 9/16"
J74415/8	Socket, Impact Hex Bit 1/2" DR 5/8"
J4968PB	Blow-Molded Case



3/8" DRIVE 7 PIECE HEX BIT IMPACT SOCKET SET

Product #: J72152

- ▶ Proto® Hex Bit Impact Sockets can be used on stubborn fasteners.
- ▶ Tight tolerances for snug fit on fastener.
- ▶ Hex bit impact sockets are used wherever powered drive tools are used to install or remove fasteners.
- ▶ Hex bit impact sockets are designed to withstand the high torque and force associated with impact tools in repetitive application.
- ▶ Side locking hole.
- ▶ Weight (lbs): 0.79

Contents	Description
J72901/8	Socket, Impact Hex Bit 3/8" DR 1/8"
J72905/32	Socket, Impact Hex Bit 3/8" DR 5/32"
J72903/16	Socket, Impact Hex Bit 3/8" DR 13/16"
J72907/32	Socket, Impact Hex Bit 3/8" DR 7/32"
J72901/4	Socket, Impact Hex Bit 3/8" DR 1/4"
J72905/16	Socket, Impact Hex Bit 3/8" DR 5/16"
J72903/8	Socket, Impact Hex Bit 3/8" DR 3/8"
J2585	Socket, Bar 9"
J2591	Socket, Clip 3/8" DR





3/8" DRIVE 5 PIECE METRIC HEX BIT IMPACT SOCKET SET



Product #: **J72252**



- › Proto® Hex Bit Impact Sockets can be used on stubborn fasteners.
- › Tight tolerances for snug fit on fastener.
- › Hex bit impact sockets are used wherever powered drive tools are used to install or remove fasteners.
- › Hex bit impact sockets are designed to withstand the high torque and force associated with impact tools in repetitive application.
- › Side locking hole.
- › Weight (lbs): 0.64

Contents	Description
J7290-4M	Socket, Impact Hex Bit 3/8" DR 4 mm
J7290-5M	Socket, Impact Hex Bit 3/8" DR 5 mm
J7290-6M	Socket, Impact Hex Bit 3/8" DR 6 mm
J7290-8M	Socket, Impact Hex Bit 3/8" DR 8 mm
J7290-10M	Socket, Impact Hex Bit 3/8" DR 10 mm
J2584	Socket, Bar 6-1/4"
J2591	Socket, Clip 3/8" DR



3/8" DRIVE 5 PIECE IMPACT UNIVERSAL SOCKET SET - 6 POINT

Product #: **J72142**



- › Ball and spring design which allows for a 30° working angle.
- › Smooth 360° rotation.
- › Proto® 6 Point Impact Sockets are ideal for use on stubborn or damaged fasteners, and also on fasteners made from soft materials.
- › TorquePlus™ features apply.
- › Weight (lbs): 1.29



Contents	Description	ASME Spec.
J77273P	Socket, Impact 3/8" DR Universal 3/8" 6 PT	ASME B107.2
J77274P	Socket, Impact 3/8" DR Universal 7/16" 6 PT	ASME B107.2
J77275P	Socket, Impact 3/8" DR Universal 1/2" 6 PT	ASME B107.2
J77276P	Socket, Impact 3/8" DR Universal 9/16" 6 PT	ASME B107.2
J77277P	Socket, Impact 3/8" DR Universal 5/8" 6 PT	ASME B107.2
J2584	Socket, Bar 6-1/4"	
J2591	Socket, Clip 3/8" DR	

3/8" DRIVE 10 PIECE METRIC IMPACT UNIVERSAL SOCKET SET - 6 POINT



Product #: **J72133M**



Contents	Description
J77408MP	Socket, Impact 3/8" DR Universal 8 mm 6 PT
J77410MP	Socket, Impact 3/8" DR Universal 10 mm 6 PT
J77411MP	Socket, Impact 3/8" DR Universal 11 mm 6 PT
J77412MP	Socket, Impact 3/8" DR Universal 12 mm 6 PT
J77413MP	Socket, Impact 3/8" DR Universal 13 mm 6 PT
J77414MP	Socket, Impact 3/8" DR Universal 14 mm 6 PT
J77415MP	Socket, Impact 3/8" DR Universal 15 mm 6 PT
J77416MP	Socket, Impact 3/8" DR Universal 16 mm 6 PT
J77417MP	Socket, Impact 3/8" DR Universal 17 mm 6 PT
J77418MP	Socket, Impact 3/8" DR Universal 18 mm 6 PT
J2591	Socket, Clip 3/8" DR
J2585	Socket, Bar 9"

- › Universal Sockets: 8, 10, 11, 12, 13, 14, 15, 16, 17, 18, 19 mm.
- › Accessories: Socket Clip, and Socket Rail.
- › Weight (lbs): 2.40



3/8" DRIVE 10 PIECE DEEP METRIC IMPACT UNIVERSAL SOCKET SET - 6 POINT

METRIC

Product #: J72135M



Contents	Description
J78410MP	Socket, Impact 3/8" DR Universal 10 mm 6 PT
J78411MP	Socket, Impact 3/8" DR Universal 11 mm 6 PT
J78412MP	Socket, Impact 3/8" DR Universal 12 mm 6 PT
J78413MP	Socket, Impact 3/8" DR Universal 13 mm 6 PT
J78414MP	Socket, Impact 3/8" DR Universal 14 mm 6 PT
J78415MP	Socket, Impact 3/8" DR Universal 15 mm 6 PT
J78416MP	Socket, Impact 3/8" DR Universal 16 mm 6 PT
J78417MP	Socket, Impact 3/8" DR Universal 17 mm 6 PT
J78418MP	Socket, Impact 3/8" DR Universal 18 mm 6 PT
J78419MP	Socket, Impact 3/8" DR Universal 19 mm 6 PT
J2591	Socket, Clip 3/8" DR
J2585	Socket, Bar 9"

- › Universal, Sockets: 10, 11, 12, 13, 14, 15, 16, 17, 18, 19 mm.
- › Accessories: Socket Clip, and Socket Rail.
- › Weight (lbs): 3.08



3/8" DRIVE 10 PIECE METRIC UNIVERSAL IMPACT SOCKET SET - 12 POINT

Product #: J72137M



Contents	Description
J77510MP	Socket, Impact 3/8" DR Universal 10 mm 12 PT
J77511MP	Socket, Impact 3/8" DR Universal 11 mm 12 PT
J77512MP	Socket, Impact 3/8" DR Universal 12 mm 12 PT
J77513MP	Socket, Impact 3/8" DR Universal 13 mm 12 PT
J77514MP	Socket, Impact 3/8" DR Universal 14 mm 12 PT
J77515MP	Socket, Impact 3/8" DR Universal 15 mm 12 PT
J77516MP	Socket, Impact 3/8" DR Universal 16 mm 12 PT
J77517MP	Socket, Impact 3/8" DR Universal 17 mm 12 PT
J77518MP	Socket, Impact 3/8" DR Universal 18 mm 12 PT
J77519MP	Socket, Impact 3/8" DR Universal 19 mm 12 PT
J2591	Socket, Clip 3/8" DR
J2585	Socket, Bar 9"

- › Universal Sockets: 10, 11, 12, 13, 14, 15, 16, 17, 18, 19 mm.
- › Accessories: Socket Clip, and Socket Rail.
- › Weight (lbs): 3.08



3/8" DRIVE 3 PIECE IMPACT LOCKING EXTENSION SET

Product #: J7277L



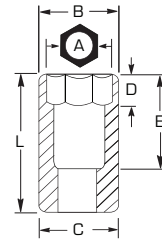
- › Weight (lbs): 1.25

Contents	Description
J7203L	Extension, Impact 3/8" DR Locking 3"
J7206L	Extension, Impact 3/8" DR Locking 6"
J7212L	Extension, Impact 3/8" DR Locking 12"



3/8" DRIVE IMPACT SOCKETS - 6 POINT

- ▶ Proto® 6 Point Impact Sockets are ideal for use on stubborn or damaged fasteners, and also on fasteners made from soft materials.
- ▶ TorquePlus™ features apply.
- ▶ Size stamped on tool for easy identification.
- ▶ Side locking hole.



Product #	Size (in)	Nut End Outside Dia. (in)	Drive End Outside Dia. (in)	Nut Depth (in)	Bolt Clearance Depth (in)	Overall Length (in)	Weight (lbs)
J7208H	1/4	7/16	11/16	9/32	19/32	1-3/32	0.07
J7209H	9/32	31/64	11/16	5/16	19/32	1-3/32	0.07
J7210H	5/16	1/2	11/16	5/16	19/32	1-3/32	0.07
J7211H	11/32	35/64	11/16	3/8	19/32	1-3/32	0.07
J7212H	3/8	19/32	11/16	3/8	19/32	1-3/32	0.07
J7214H	7/16	11/16	11/16	3/8	19/32	1-3/32	0.06
J7216H	1/2	3/4	3/4	3/8	19/32	1-3/32	0.08
J7218H	9/16	13/16	13/16	9/16	19/32	1-3/32	0.11
J7220H	5/8	29/32	29/32	9/16	19/32	1-3/32	0.12
J7222H	11/16	1	1	9/16	19/32	1-3/32	0.15
J7224H	3/4	1-1/16	1-1/16	17/32	19/32	1-3/32	0.16
J7226H	13/16	1-3/16	1-13/64	11/16	23/32	1-7/32	0.24
J7228H	7/8	1-9/32	1-9/32	11/16	23/32	1-7/32	0.26
J7230H	15/16	1-23/64	1-23/64	51/64	27/32	1-11/32	0.35
J7232H	1	1-1/2	1-1/2	51/64	27/32	1-11/32	0.42

ASME B107.2

3/8" DRIVE METRIC IMPACT SOCKETS - 6 POINT



- ▶ Proto® 6 Point Impact Sockets are ideal for use on stubborn or damaged fasteners, and also on fasteners made from soft materials.
- ▶ TorquePlus™ features apply.
- ▶ Socket size stamped on tool for easy identification.
- ▶ Side locking hole.



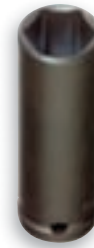
Product #	Size (mm)	Nut End Outside Dia. (in)	Drive End Outside Dia. (in)	Nut Depth (in)	Bolt Clearance Depth (in)	Overall Length (in)	Weight (lbs)
J7206M	6	27/64	11/16	7/32	27/64	59/64	0.06
J7207M	7	31/64	11/16	15/64	27/64	59/64	0.06
J7208M	8	33/64	11/16	5/16	17/32	1-1/32	0.06
J7209M	9	37/64	11/16	11/32	17/32	1-1/32	0.06
J7210M	10	11/16	11/16	3/8	17/32	1-1/32	0.06
J7211M	11	11/16	11/16	13/32	17/32	1-1/32	0.06
J7212M	12	23/32	23/32	7/16	17/32	1-1/32	0.07
J7213M	13	3/4	3/4	7/16	17/32	1-3/32	0.08
J7214M	14	13/16	13/16	9/16	19/32	1-3/32	0.09
J7215M	15	55/64	55/64	9/16	19/32	1-3/32	0.10
J7216M	16	29/32	29/32	9/16	19/32	1-3/32	0.12
J7217M	17	1	1	9/16	19/32	1-3/32	0.15
J7218M	18	1-1/32	1-1/32	9/16	19/32	1-3/32	0.16
J7219M	19	1-1/16	1-1/16	17/32	19/32	1-3/32	0.15
J7220M	20	1-7/64	1-7/64	17/32	19/32	1-3/32	0.18
J7221M	21	1-5/32	1-5/32	17/32	19/32	1-3/32	0.19
J7222M	22	1-13/64	1-13/64	17/32	19/32	1-3/32	0.20
J7223M	23	1-1/4	1-1/4	17/32	19/32	1-3/32	0.26
J7224M	24	1-19/64	1-19/64	17/32	19/32	1-3/32	0.27

ASME B107.33M



3/8" DRIVE DEEP IMPACT SOCKETS - 6 POINT

- ▶ Proto® 6 Point Impact Sockets are ideal for use on stubborn or damaged fasteners, and also on fasteners made from soft materials.
- ▶ TorquePlus™ features apply.
- ▶ Socket size stamped on tool for easy identification.
- ▶ Side locking hole.



Product #	Size (in) (A)	Nut End Outside Dia. (in) (B)	Drive End Outside Dia. (in) (C)	Nut Depth (in) (D)	Bolt Clearance Depth (in) (E)	Overall Length (in) (L)	Weight (lbs)
J7708H	1/4	7/16	11/16	9/32	2-1/4	2-3/4	0.21
J7709H	9/32	31/64	11/16	5/16	2-1/4	2-3/4	0.18
J7710H	5/16	33/64	11/16	21/64	2-1/4	2-3/4	0.20
J7711H	11/32	35/64	11/16	11/32	2-1/4	2-3/4	0.19
J7712H	3/8	19/32	11/16	3/8	2-1/4	2-3/4	0.19
J7714H	7/16	11/16	11/16	27/64	2-1/4	2-3/4	0.17
J7716H	1/2	3/4	3/4	15/32	2-1/4	2-3/4	0.21
J7718H	9/16	13/16	13/16	11/16	2-1/4	2-3/4	0.22
J7720H	5/8	29/32	29/32	11/16	2-1/4	2-3/4	0.29
J7722H	11/16	1	1	11/16	2-1/4	2-3/4	0.34
J7724H	3/4	1-1/16	1-1/16	43/64	2-1/4	2-3/4	0.38
J7726H	13/16	1-13/64	1-13/64	13/16	2-1/8	2-3/4	0.53
J7728H	7/8	1-9/32	1-9/32	13/16	2-1/8	2-3/4	0.59
J7730H	15/16	1-23/64	1-23/64	13/16	2-1/8	2-3/4	0.66
J7732H	1	1-1/2	1-1/2	13/16	2-1/8	2-3/4	0.85



ASME B107.2

3/8" DRIVE METRIC DEEP IMPACT SOCKETS - 6 POINT

- ▶ Proto® 6 Point Impact Sockets are ideal for use on stubborn or damaged fasteners, and also on fasteners made from soft materials.
- ▶ TorquePlus™ features apply.
- ▶ Size stamped on tool for easy identification.
- ▶ Side locking hole.



METRIC

Product #	Size (mm) (A)	Nut End Outside Dia. (in) (B)	Drive End Outside Dia. (in) (C)	Nut Depth (in) (D)	Bolt Clearance Depth (in) (E)	Overall Length (in) (L)	Weight (lbs)
J7006M	6	27/64	11/16	9/32	2-1/4	2-3/4	0.19
J7007M	7	31/64	11/16	5/16	2-1/4	2-3/4	0.20
J7008M	8	33/64	11/16	5/16	2-1/4	2-3/4	0.19
J7009M	9	37/64	11/16	3/8	2-1/4	2-3/4	0.20
J7010M	10	5/8	11/16	3/8	2-1/4	2-3/4	0.19
J7011M	11	11/16	11/16	13/32	2-1/4	2-3/4	0.18
J7012M	12	3/4	3/4	7/16	2-1/4	2-3/4	0.20
J7013M	13	3/4	3/4	15/32	2-1/4	2-3/4	0.22
J7014M	14	13/16	13/16	1/2	2-1/4	2-3/4	0.22
J7015M	15	55/64	55/64	11/16	2-1/4	2-3/4	0.25
J7016M	16	29/32	29/32	11/16	2-1/4	2-3/4	0.29
J7017M	17	1	1	11/16	2-1/4	2-3/4	0.37
J7018M	18	1-1/32	1-1/32	11/16	2-1/4	2-3/4	0.38
J7019M	19	1-1/16	1-1/16	11/16	2-1/4	2-3/4	0.38
J7020M	20	1-7/64	1-7/64	25/32	2-1/4	2-3/4	0.42
J7021M	21	1-5/32	1-5/32	25/32	2-1/4	2-3/4	0.46
J7022M	22	1-13/64	1-13/64	51/64	2-1/4	2-3/4	0.49
J7023M	23	1-1/4	1-1/4	51/64	2-1/4	2-3/4	0.53
J7024M	24	1-19/64	1-19/64	59/64	2-1/4	2-3/4	0.58



ASME B107.33M

3/8" DRIVE DEEP THIN WALL IMPACT SOCKETS - 6 POINT

- › Specifically designed for light clearance applications.
- › Reduced wall thickness helps improve access to fasteners in restricted areas.
- › All Impact sockets feature one through hole and a groove to accept a retaining ring and pin to secure the socket to the power tool anvil.
- › Chamfered service ends for quick and positive fastener engagement.
- › Proto® 6 Point Impact Sockets are ideal for use on stubborn or damaged fasteners, and also on fasteners made from soft materials.
- › TorquePlus™ features apply.
- › Thin wall sockets are lightweight.
- › Designed to fit into smaller spaces.
- › Thinner walls help improve productivity by making it easier to gain access to fasteners in confined spaces.
- › Extra deep length helps improve access in confined areas.
- › Often used in application where fasteners are close together, such as tire service.



Product #	Size (in) (A)	Nut End Outside Dia. (in) (B)	Drive End Outside Dia. (in) (C)	Nut Depth (in) (D)	Bolt Clearance Depth (in) (E)	Overall Length (in) (L)	Weight (lbs)
J7708HT	1/4	27/64	11/16	9/32	2-1/4	2	0.15
J7710HT	5/16	31/64	11/16	1/4	2-1/4	2	0.14
J7711HT	11/32	1/2	11/16	9/32	2-1/4	2	0.13
J7712HT	3/8	37/64	11/16	5/16	2-1/4	1-3/4	0.13
J7714HT	7/16	41/64	11/16	11/32	2-1/4	1-3/4	0.11
J7716HT	1/2	23/32	23/32	13/32	2-1/4	1-3/4	0.14
J7718HT	9/16	25/32	25/32	1/2	2-1/4	2	0.15
J7720HT	5/8	7/8	7/8	1/2	2-1/4	2-1/8	0.18
J7722HT	11/16	15/16	15/16	1/2	2-1/4	2-7/32	0.22
J7724HT	3/4	1	1	17/32	2-1/4	2-1/4	0.27
J7728HT	7/8	1-7/32	1-7/32	13/16	2-1/8	2-1/2	0.43
J7730HT	15/16	1-1/4	1-1/4	13/16	2-1/8	2-27/32	0.54



ASME B107.2

3/8" DRIVE METRIC DEEP THIN WALL IMPACT SOCKETS - 6 POINT

- › Specifically designed for light clearance applications.
- › Reduced wall thickness helps improve access to fasteners in restricted areas.
- › All Impact sockets feature one through hole and a groove to accept a retaining ring and pin to secure the socket to the power tool anvil.
- › Chamfered service ends for quick and positive fastener engagement.
- › Proto® 6 Point Impact Sockets are ideal for use on stubborn or damaged fasteners, and also on fasteners made from soft materials.
- › TorquePlus™ features apply.
- › Thin wall sockets are lightweight.
- › Designed to fit into smaller spaces.
- › Thinner walls help improve productivity by making it easier to gain access to fasteners in confined spaces.
- › Extra deep length helps improve access in confined areas.
- › Often used in application where fasteners are close together, such as tire service.



Product #	Size (mm) (A)	Nut End Outside Dia. (in) (B)	Drive End Outside Dia. (in) (C)	Nut Depth (in) (D)	Bolt Clearance Depth (in) (E)	Overall Length (in) (L)	Weight (lbs)
J7008MHT	8	31/64	11/16	1/4	1-1/4	2	0.11
J7009MHT	9	17/32	11/16	5/16	1-3/16	2	0.15
J7010MHT	10	19/32	11/16	11/32	1-5/32	2	0.11
J7011MHT	11	11/16	11/16	21/64	1-11/64	2	0.12
J7012MHT	12	11/16	11/16	3/8	1-1/8	2	0.11
J7013MHT	13	45/64	45/64	13/32	1-3/32	2	0.11
J7014MHT	14	25/32	25/32	15/32	1-1/32	2	0.14
J7015MHT	15	53/64	53/64	1/2	1	2	0.18
J7016MHT	16	7/8	7/8	1/2	1	2	0.17
J7017MHT	17	1	1	1/2	1	2	0.20
J7018MHT	18	31/32	31/32	1/2	1	2	0.20
J7019MHT	19	1	1	17/32	31/32	2	0.25



3/8" DRIVE HIGH STRENGTH MAGNETIC IMPACT SOCKETS - 6 POINT

- ▶ ProtoGrip™ Magnetic Sockets use high-strength magnets made from a rare earth magnet alloy/nylon blend.
- ▶ ProtoGrip™ Magnetic Sockets require no bushings to hold the magnet in place. This allows room for more magnet material, helping increase total magnetic strength.
- ▶ Designed to easily pick up heavy fasteners and hold them tightly during use.
- ▶ Strong magnetic hold helps increase efficiency when installing fasteners in awkward or hard-to-reach locations.
- ▶ Impact sockets with high impact strength are used in automated and hand impact socket applications.
- ▶ Socket size stamped on tool for easy identification.
- ▶ Side locking hole.



Product #	Size (in)	Nut End Outside Dia. (in) (B)	Drive End Outside Dia. (in) (C)	Nut Depth (in) (D)	Overall Length (in) (L)	Weight (lbs)
J7208HF	1/4	7/16	11/16	11/64	1-3/32	0.07
J7210HF	5/16	1/2	11/16	3/16	1-3/32	0.08
J7212HF	3/8	39/64	11/16	15/64	1-3/32	0.08
J7214HF	7/16	11/16	11/16	1/4	1-3/32	0.08
J7216HF	1/2	3/4	3/4	9/32	1-3/32	0.08
J7218HF	9/16	13/16	13/16	21/64	1-3/32	0.12
J7220HF	5/8	29/32	29/32	23/64	1-7/32	0.16

 ASME B107.33M

3/8" DRIVE METRIC HIGH STRENGTH MAGNETIC IMPACT SOCKETS - 6 POINT

METRIC

- ▶ ProtoGrip™ Magnetic Sockets use high-strength magnets made from a rare earth magnet alloy/nylon blend.
- ▶ ProtoGrip™ Magnetic Sockets require no bushings to hold the magnet in place. This allows room for more magnet material, helping increase total magnetic strength.
- ▶ Designed to easily pick up heavy fasteners and hold them tightly during use.
- ▶ Strong magnetic hold helps increase efficiency when installing fasteners in awkward or hard-to-reach locations.
- ▶ Impact sockets with high impact strength are used in automated and hand impact socket applications.
- ▶ Socket size stamped on tool for easy identification.
- ▶ Side locking hole.



Product #	Size (mm)	Nut End Outside Dia. (in) (B)	Drive End Outside Dia. (in) (C)	Nut Depth (in) (D)	Overall Length (in) (L)	Weight (lbs)
J7207MHF	7	31/64	11/16	11/64	1-3/32	0.08
J7208MHF	8	1/2	11/16	11/64	1-3/32	0.07
J7210MHF	10	5/8	11/16	7/32	1-9/64	0.08
J7211MHF	11	11/16	11/16	17/64	1-9/64	0.08
J7212MHF	12	47/64	47/64	9/32	1-9/64	0.09
J7213MHF	13	3/4	3/4	19/64	1-13/64	0.10
J7214MHF	14	13/16	13/16	21/64	1-13/64	0.12
J7215MHF	15	55/64	55/64	21/64	1-13/64	0.14
J7217MHF	17	1	1	25/64	1-1/4	0.20
J7218MHF	18	1-1/32	1-1/32	25/64	1-1/4	0.21

 ASME B107.33

3/8" DRIVE IMPACT SOCKETS - 8 POINT

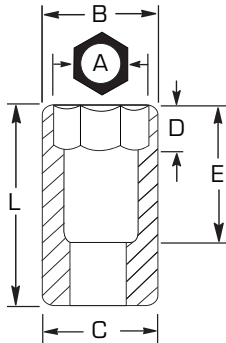
- ▶ Proto® 8 Point Impact Sockets are ideal for use on stubborn or damaged fasteners, and also on fasteners made from soft materials.
- ▶ TorquePlus™ features apply.
- ▶ Drive end chamfer and four detents help provide quick positive engagement with drive tool on any of the socket drive walls.
- ▶ Tight tolerances for snug fit on fastener.
- ▶ Large clearance holes, concentric opening and nut end chamfer make it easy to position socket on fasteners.
- ▶ Made from high strength steel to help minimize wall thickness and provide access to fasteners in recesses and where nuts and bolts protrude.
- ▶ Impact sockets are used wherever powered drive tools are used to install or remove fasteners.
- ▶ Impact sockets are designed to withstand higher torque and force associated with impact tools in repetitive application.
- ▶ Socket size stamped on tool for easy identification.
- ▶ Side locking hole.



Product #	Size (in) (A)	Nut End Outside Dia. (in) (B)	Drive End Outside Dia. (in) (C)	Nut Depth (in) (D)	Bolt Clearance Depth (in) (E)	Overall Length (in) (L)	Weight (lbs)
J7208S	1/4	31/64	11/16	1/4	1/2	1	0.07
J7210S	5/16	5/8	11/16	9/32	1/2	1	0.06
J7212S	3/8	11/16	11/16	5/16	1/2	1	0.06
J7214S	7/16	13/16	13/16	21/64	1/2	1	0.10
J7216S	1/2	59/64	15/16	3/8	9/16	1-1/16	0.13
J7218S	9/16	1-3/32	1-3/16	9/16	5/8	1-1/8	0.17



ASME B107.2



3/8" DRIVE IMPACT HEX BIT SOCKETS

Product #	Size (in)	Bit Length (in)	Overall Length (in)	Weight (lbs)
J72901/8	1/8	1-5/8	2-23/32	0.07
J72905/32	5/32	1-5/8	2-23/32	0.08
J72903/16	3/16	1-5/8	2-23/32	0.08
J72907/32	7/32	1-5/8	2-23/32	0.09
J72901/4	1/4	1-5/8	2-23/32	0.10
J72905/16	5/16	1-5/8	2-23/32	0.13
J72903/8	3/8	1-5/8	2-23/32	0.14



3/8" DRIVE METRIC IMPACT HEX BIT SOCKETS

- ▶ Size stamped on tool for easy identification.
- ▶ Side locking hole.

Product #	Size (mm)	Bit Length (in)	Overall Length (in)	Weight (lbs)
J7290-4M	4	1-5/8	2-23/32	0.07
J7290-5M	5	1-5/8	2-23/32	0.08
J7290-6M	6	1-5/8	2-23/32	0.09
J7290-8M	8	1-5/8	2-23/32	0.12
J7290-10M	10	1-5/8	2-23/32	0.14



3/8" DRIVE TORX® IMPACT SOCKETS

- ▶ Made of heat-treated alloy steel.
- ▶ Socket size stamped on tool for easy identification.
- ▶ Side locking hole.
- ▶ For use with Torx® style fasteners.



Product #	Torx® Size	Length (in)	Overall Length (in)	Weight (lbs)
J7206TX	E6	1-1/4	1-1/4	0.06
J7207TX	E7	1-1/4	1-1/4	0.07
J7208TX	E8	1-1/4	1-1/4	0.07
J7210TX	E10	1-1/4	1-1/4	0.07
J7212TX	E12	1-1/4	1-1/4	0.07
J7214TX	E14	1-1/4	1-1/4	0.09
J7216TX	E16	1-1/4	1-1/4	0.10



3/8" DRIVE IMPACT UNIVERSAL SOCKETS - 6 POINT

- ▶ Ball and spring design which allows for a 30° working angle.
- ▶ Smooth 360° rotation.
- ▶ Proto® 6 Point Impact Sockets are ideal for use on stubborn or damaged fasteners, and also on fasteners made from soft materials.
- ▶ TorquePlus™ features apply.
- ▶ Socket size stamped on tool for easy identification.
- ▶ Side locking hole.

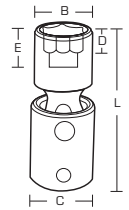


Product #	Size (in)	Nut End Outside Dia. (in) (B)	Drive End Outside Dia. (in) (C)	Nut Depth (in) (D)	Bolt Clearance Depth (in) (E)	Overall Length (in) (L)	Weight (lbs)
J77273P	3/8	9/16	61/64	7/16	7/16	1-57/64	0.30
J77274P	7/16	21/32	61/64	7/16	7/16	1-63/64	0.31
J77275P	1/2	3/4	61/64	7/16	7/16	2-1/64	0.32
J77276P	9/16	13/16	61/64	7/16	7/16	2-1/64	0.33
J77277P	5/8	29/32	61/64	7/16	7/16	2-5/64	0.35
J77278P	11/16	1	61/64	7/16	7/16	2-7/64	0.29
J77279P	3/4	1-1/16	61/64	7/16	7/16	2-7/64	0.29



ASME B107.2

3/8" DRIVE METRIC IMPACT UNIVERSAL SOCKETS - 6 POINT



Product #	Drive End Outside Dia.		Bolt Clearance Depth		Overall Length (in) (L)	Weight (lbs)
	Size (mm)	(in) (C)	Nut Depth (in) (D)	(in) (E)		
J77408MP	8	15/16	7/16	7/16	2	0.26
J77410MP	10	15/16	7/16	7/16	2	0.21
J77411MP	11	15/16	7/16	7/16	2	0.22
J77412MP	12	15/16	7/16	7/16	2-1/32	0.22
J77413MP	13	15/16	7/16	7/16	2-1/32	0.23
J77414MP	14	15/16	7/16	7/16	2-1/16	0.23
J77415MP	15	15/16	7/16	7/16	2-1/16	0.24
J77416MP	16	15/16	7/16	7/16	2-3/32	0.25
J77417MP	17	15/16	7/16	7/16	2-1/8	0.26
J77418MP	18	15/16	7/16	7/16	2-1/8	0.28
J77419MP	19	15/16	7/16	7/16	2-1/8	0.28



3/8" DRIVE METRIC DEEP UNIVERSAL IMPACT SOCKETS - 6 POINT



Product #	Drive End Outside Dia.		Nut Depth (in) (D)	Bolt Clearance Depth		Overall Length (in) (L)	Weight (lbs)
	Size (mm)	(in) (C)		(in) (E)	(in) (E)		
J78410MP	10	15/16	3/8	1		2	0.24
J78411MP	11	15/16	3/8	1		2	0.25
J78412MP	12	15/16	3/8	1		2-1/32	0.28
J78413MP	13	15/16	13/32	1-1/32		2-1/32	0.28
J78414MP	14	15/16	13/32	1-1/32		2-1/16	0.30
J78415MP	15	15/16	13/32	1-1/32		2-1/16	0.31
J78416MP	16	15/16	7/16	1-1/16		2-3/32	0.32
J78417MP	17	15/16	7/16	1-1/8		2-1/8	0.36
J78418MP	18	15/16	15/32	1-1/8		2-1/8	0.36
J78419MP	19	15/16	1/2	1-9/64		2-1/8	0.38



3/8" DRIVE METRIC UNIVERSAL IMPACT SOCKETS - 12 POINT



Product #	Drive End Outside Dia.		Nut Depth (in) (D)	Bolt Clearance Depth		Overall Length (in) (L)	Weight (lbs)
	Size (mm)	(in) (C)		(in) (E)	(in) (E)		
J77510MP	10	15/16	7/16	7/16		2	0.21
J77511MP	11	15/16	7/16	7/16		2	0.22
J77512MP	12	15/16	7/16	7/16		2-1/32	0.22
J77513MP	13	15/16	7/16	7/16		2-1/32	0.23
J77514MP	14	15/16	7/16	7/16		2-1/16	0.23
J77515MP	15	15/16	7/16	7/16		2-1/16	0.24
J77516MP	16	15/16	7/16	7/16		2-3/32	0.25
J77517MP	17	15/16	7/16	7/16		2-1/8	0.26
J77518MP	18	15/16	7/16	7/16		2-1/8	0.28
J77519MP	19	15/16	7/16	7/16		2-1/8	0.28



3/8" DRIVE IMPACT UNIVERSAL JOINT

- › Tight tolerances for snug fit on fastener.
- › Used wherever powered drive tools are used to install or remove fasteners.
- › Designed to withstand the high torque and force associated with impact tools in repetitive application.
- › Features two through holes and a groove to accept a Proto® Retaining Ring or pin and O-ring to help secure the socket to the drive tool anvil.
- › Position at appropriate angle to turn fasteners where obstructions prevent a straight application.
- › Ball and spring design which allows for a 30° working angle.
- › Smooth 360° rotation.

Product #	Size (in)	Drive End		Overall Length (in) (L)	Weight (lbs)
		Outside Dia. (in) (C)	Length (in)		
J77270P	3/8	15/16	2-1/32	0.21	



3/8" DRIVE IMPACT ADAPTERS

Product #	Size (in)	Overall Length (in) (L)	Weight (lbs)
J7653	3/4" F x 1/2" M	2-1/16	0.48
J7650	3/8" F x 1/2" M	1-5/16	0.13
J7651	1/2" F x 3/8" M	1-7/16	0.12



ASME B107.2

- › Use adapters to help increase or decrease drive end size.
- › Do not use hand adapters with power tools.
- › Do not overtorque small sockets when using them with adapters on large drive tools.
- › Size stamped on tool for easy identification.
- › Side locking hole.



3/8" DRIVE IMPACT EXTENSIONS

- › Use extensions to gain access to fasteners in locations that would otherwise be difficult to reach.
- › Male square is oriented in line with female squares for use with fixed head torque wrenches.
- › Full chamfer at drive opening (when applicable) for easy engagement with drive tools.
- › Drive end chamfer and four detents help provide quick positive engagement with drive tool on any of the socket drive walls.
- › Size stamped on tool for easy identification.
- › Side locking hole.

Product #	Overall Length (in) (L)	Weight (lbs)
J7175P	3	0.16
J7176P	6	0.32
J7178P	12	0.64

ASME B107.2



3/8" DRIVE IMPACT LOCKING EXTENSIONS

- › Black oxide finish.
- › Easy operating spring-loaded locking mechanism.

Product #	Overall Length (in) (L)	Weight (lbs)
J7203L	3	0.25
J7206L	6	0.41
J7212L	12	0.75



3/8" DRIVE HAND IMPACT DRIVER

- › Designed to loosen hard to turn bolts and screws.
- › Heavy-duty spring for added torque.

Product #	Overall Length (in) (L)	Weight (lbs)
J7099	5-1/2	1.68



3/8" DRIVE RETAINING RINGS

- › Proto® 3/8" Drive Retaining Rings have a one-piece, without a crush gauge.



Product #	Description	For Groove Dia. (in)	Diameter (in)	Height (in)	Weight (lbs)
JRR37560	Retaining Ring, 3/8" DR 600 GRV	19/32	11/16	1/16	0.01
JRR37567	Retaining Ring, 3/8" DR 670 GRV	43/64	3/4	1/16	0.01
JRR37575	Retaining Ring, 3/8" DR 750 GRV	3/4	13/16	1/16	0.01
JRR37582	Retaining Ring, 3/8" DR 820 GRV	13/64	7/8	1/16	0.01
JRR37595	Retaining Ring, 3/8" DR 950 GRV	61/64	1	1/16	0.01
JRR37511	Retaining Ring, 3/8" DR 1100 GRV	1-3/32"	1-3/16	1/16	0.01
JRR37512	Retaining Ring, 3/8" DR 1200 GRV	1-3/16"	1-1/4	1/16	0.01



1/2" DRIVE 25 PIECE METRIC IMPACT SOCKET SET - 6 POINT METRIC

Product #: J74206



- › Proto® 6 Point Impact Sockets are ideal for use on stubborn or damaged fasteners, and also on fasteners made from soft materials.
- › TorquePlus™ features apply.
- › Weight (lbs): 10.28



Contents	Description	ASME Spec.
J7408M	Socket, Impact 1/2" DR 8 mm 6 PT	ASME B107.33M
J7409M	Socket, Impact 1/2" DR 9 mm 6 PT	ASME B107.33M
J7410M	Socket, Impact 1/2" DR 10 mm 6 PT	ASME B107.33M
J7411M	Socket, Impact 1/2" DR 11 mm 6 PT	ASME B107.33M
J7412M	Socket, Impact 1/2" DR 12 mm 6 PT	ASME B107.33M
J7413M	Socket, Impact 1/2" DR 13 mm 6 PT	ASME B107.33M
J7414M	Socket, Impact 1/2" DR 14 mm 6 PT	ASME B107.33M
J7415M	Socket, Impact 1/2" DR 15 mm 6 PT	ASME B107.33M
J7416M	Socket, Impact 1/2" DR 16 mm 6 PT	ASME B107.33M
J7417M	Socket, Impact 1/2" DR 17 mm 6 PT	ASME B107.33M
J7418M	Socket, Impact 1/2" DR 18 mm 6 PT	ASME B107.33M
J7419M	Socket, Impact 1/2" DR 19 mm 6 PT	ASME B107.33M
J7420M	Socket, Impact 1/2" DR 20 mm 6 PT	ASME B107.33M
J7421M	Socket, Impact 1/2" DR 21 mm 6 PT	ASME B107.33M
J7422M	Socket, Impact 1/2" DR 22 mm 6 PT	ASME B107.33M
J7423M	Socket, Impact 1/2" DR 23 mm 6 PT	ASME B107.33M
J7424M	Socket, Impact 1/2" DR 24 mm 6 PT	ASME B107.33M
J7425M	Socket, Impact 1/2" DR 25 mm 6 PT	ASME B107.33M
J7426M	Socket, Impact 1/2" DR 26 mm 6 PT	ASME B107.33M
J7427M	Socket, Impact 1/2" DR 27 mm 6 PT	ASME B107.33M
J7428M	Socket, Impact 1/2" DR 28 mm 6 PT	ASME B107.33M
J7429M	Socket, Impact 1/2" DR 29 mm 6 PT	ASME B107.33M
J7430M	Socket, Impact 1/2" DR 30 mm 6 PT	ASME B107.33M
J7432M	Socket, Impact 1/2" DR 32 mm 6 PT	ASME B107.33M
J7436M	Socket, Impact 1/2" DR 36 mm 6 PT	ASME B107.33M
J2587	Socket, Bar 17"	
J2592	Socket, Clip 1/2" DR	



1/2" DRIVE 25 PIECE METRIC DEEP IMPACT SOCKET SET - 6 POINT

Product #: J74216



- ▶ Proto® 6 Point Impact Sockets are ideal for use on stubborn or damaged fasteners, and also on fasteners made from soft materials.
- ▶ TorquePlus™ features apply.
- ▶ Weight (lbs): 19.63



Contents	Description	ASME Spec.
J7308M	Socket, Impact 1/2" DR 8 mm 6 PT Deep	ASME B107.33M
J7309M	Socket, Impact 1/2" DR 9 mm 6 PT Deep	ASME B107.33M
J7310M	Socket, Impact 1/2" DR 10 mm 6 PT Deep	ASME B107.33M
J7311M	Socket, Impact 1/2" DR 11 mm 6 PT Deep	ASME B107.33M
J7312M	Socket, Impact 1/2" DR 12 mm 6 PT Deep	ASME B107.33M
J7313M	Socket, Impact 1/2" DR 13 mm 6 PT Deep	ASME B107.33M
J7314M	Socket, Impact 1/2" DR 14 mm 6 PT Deep	ASME B107.33M
J7315M	Socket, Impact 1/2" DR 15 mm 6 PT Deep	ASME B107.33M
J7316M	Socket, Impact 1/2" DR 16 mm 6 PT Deep	ASME B107.33M
J7317M	Socket, Impact 1/2" DR 17 mm 6 PT Deep	ASME B107.33M
J7318M	Socket, Impact 1/2" DR 18 mm 6 PT Deep	ASME B107.33M
J7319M	Socket, Impact 1/2" DR 19 mm 6 PT Deep	ASME B107.33M
J7320M	Socket, Impact 1/2" DR 20 mm 6 PT Deep	ASME B107.33M
J7321M	Socket, Impact 1/2" DR 21 mm 6 PT Deep	ASME B107.33M
J7322M	Socket, Impact 1/2" DR 22 mm 6 PT Deep	ASME B107.33M
J7323M	Socket, Impact 1/2" DR 23 mm 6 PT Deep	ASME B107.33M
J7324M	Socket, Impact 1/2" DR 24 mm 6 PT Deep	ASME B107.33M
J7325M	Socket, Impact 1/2" DR 25 mm 6 PT Deep	ASME B107.33M
J7326M	Socket, Impact 1/2" DR 26 mm 6 PT Deep	ASME B107.33M
J7327M	Socket, Impact 1/2" DR 27 mm 6 PT Deep	ASME B107.33M
J7328M	Socket, Impact 1/2" DR 28 mm 6 PT Deep	ASME B107.33M
J7329M	Socket, Impact 1/2" DR 29 mm 6 PT Deep	ASME B107.33M
J7330M	Socket, Impact 1/2" DR 30 mm 6 PT Deep	ASME B107.33M
J7332M	Socket, Impact 1/2" DR 32 mm 6 PT Deep	ASME B107.33M
J7336M	Socket, Impact 1/2" DR 36 mm 6 PT Deep	ASME B107.33M
J2587	Socket, Bar 17"	
J2592	Socket, Clip 1/2" DR	





1/2" DRIVE 19 PIECE IMPACT SOCKET SET - 6 POINT

Product #: J74106



Contents	Description	ASME Spec.
J7412H	Socket, Impact 1/2" DR 3/8" 6 PT	ASME B107.2
J7414H	Socket, Impact 1/2" DR 7/16" 6 PT	ASME B107.2
J7416H	Socket, Impact 1/2" DR 1/2" 6 PT	ASME B107.2
J7418H	Socket, Impact 1/2" DR 9/16" 6 PT	ASME B107.2
J7420H	Socket, Impact 1/2" DR 5/8" 6 PT	ASME B107.2
J7422H	Socket, Impact 1/2" DR 11/16" 6 PT	ASME B107.2
J7424H	Socket, Impact 1/2" DR 3/4" 6 PT	ASME B107.2
J7426H	Socket, Impact 1/2" DR 13/16" 6 PT	ASME B107.2
J7428H	Socket, Impact 1/2" DR 7/8" 6 PT	ASME B107.2
J7430H	Socket, Impact 1/2" DR 15/16" 6 PT	ASME B107.2
J7432H	Socket, Impact 1/2" DR 1" 6 PT	ASME B107.2
J7434H	Socket, Impact 1/2" DR 1-1/16" 6 PT	ASME B107.2
J7436H	Socket, Impact 1/2" DR 1-1/8" 6 PT	ASME B107.2
J7438H	Socket, Impact 1/2" DR 1-3/16" 6 PT	ASME B107.2
J7440H	Socket, Impact 1/2" DR 1-1/4" 6 PT	ASME B107.2
J7442H	Socket, Impact 1/2" DR 1-5/16" 6 PT	ASME B107.2
J7444H	Socket, Impact 1/2" DR 1-3/8" 6 PT	ASME B107.2
J7446H	Socket, Impact 1/2" DR 1-7/16" 6 PT	ASME B107.2
J7448H	Socket, Impact 1/2" DR 1-1/2" 6 PT	ASME B107.2
J2587	Socket, Bar 17"	
J2592	Socket, Clip 1/2" DR	
J2585	Socket, Bar 9"	

- › Proto® 6 Point Impact Sockets are ideal for use on stubborn or damaged fasteners, and also on fasteners made from soft materials.
- › TorquePlus™ features apply.
- › Weight (lbs): 10.06



1/2" DRIVE 19 PIECE DEEP IMPACT SOCKET SET - 6 POINT

Product #: J74116



- › Proto® 6 Point Impact Sockets are ideal for use on stubborn or damaged fasteners, and also on fasteners made from soft materials.
- › TorquePlus™ features apply.
- › Weight (lbs): 18.72



Contents	Description	ASME Spec.
J7312H	Socket, Impact 1/2" DR 3/8" 6 PT Deep	ASME B107.2
J7314H	Socket, Impact 1/2" DR 7/16" 6 PT Deep	ASME B107.2
J7316H	Socket, Impact 1/2" DR 1/2" 6 PT Deep	ASME B107.2
J7318H	Socket, Impact 1/2" DR 9/16" 6 PT Deep	ASME B107.2
J7320H	Socket, Impact 1/2" DR 5/8" 6 PT Deep	ASME B107.2
J7322H	Socket, Impact 1/2" DR 11/16" 6 PT Deep	ASME B107.2
J7324H	Socket, Impact 1/2" DR 3/4" 6 PT Deep	ASME B107.2
J7326H	Socket, Impact 1/2" DR 13/16" 6 PT Deep	ASME B107.2
J7328H	Socket, Impact 1/2" DR 7/8" 6 PT Deep	ASME B107.2
J7330H	Socket, Impact 1/2" DR 15/16" 6 PT Deep	ASME B107.2
J7332H	Socket, Impact 1/2" DR 1" 6 PT Deep	ASME B107.2
J7334H	Socket, Impact 1/2" DR 1-1/16" 6 PT Deep	ASME B107.2
J7336H	Socket, Impact 1/2" DR 1-1/8" 6 PT Deep	ASME B107.2
J7338H	Socket, Impact 1/2" DR 1-3/16" 6 PT Deep	ASME B107.2
J7340H	Socket, Impact 1/2" DR 1-1/4" 6 PT Deep	ASME B107.2
J7342H	Socket, Impact 1/2" DR 1-5/16" 6 PT Deep	ASME B107.2
J7344H	Socket, Impact 1/2" DR 1-3/8" 6 PT Deep	ASME B107.2
J7346H	Socket, Impact 1/2" DR 1-7/16" 6 PT Deep	ASME B107.2
J7348H	Socket, Impact 1/2" DR 1-1/2" 6 PT Deep	ASME B107.2
J2585	Socket, Bar 9"	
J2587	Socket, Bar 17"	
J2592	Socket, Clip 1/2" DR	



1/2" DRIVE 18 PIECE METRIC DEEP IMPACT SOCKET SET - 6 POINT

Product #: **J72149M**

- ▶ Deep Sockets: 10, 11, 12, 13, 14, 15, 16, 17, 18, 19, 20, 21, 22, 23, 24, 25, 26, 27 mm.
- ▶ Accessories: Socket Clip and Socket Rails.
- ▶ Weight (lbs): 9.32



Contents	Description	ASME Spec.
J7310M	Socket, Impact 1/2" DR 10 mm 6 PT Deep	ASME B107.33M
J7311M	Socket, Impact 1/2" DR 11 mm 6 PT Deep	ASME B107.33M
J7312M	Socket, Impact 1/2" DR 12 mm 6 PT Deep	ASME B107.33M
J7313M	Socket, Impact 1/2" DR 13 mm 6 PT Deep	ASME B107.33M
J7314M	Socket, Impact 1/2" DR 14 mm 6 PT Deep	ASME B107.33M
J7315M	Socket, Impact 1/2" DR 15 mm 6 PT Deep	ASME B107.33M
J7316M	Socket, Impact 1/2" DR 16 mm 6 PT Deep	ASME B107.33M
J7317M	Socket, Impact 1/2" DR 17 mm 6 PT Deep	ASME B107.33M
J7318M	Socket, Impact 1/2" DR 18 mm 6 PT Deep	ASME B107.33M
J7319M	Socket, Impact 1/2" DR 19 mm 6 PT Deep	ASME B107.33M
J7320M	Socket, Impact 1/2" DR 20 mm 6 PT Deep	ASME B107.33M
J7321M	Socket, Impact 1/2" DR 21 mm 6 PT Deep	ASME B107.33M
J7322M	Socket, Impact 1/2" DR 22 mm 6 PT Deep	ASME B107.33M
J7323M	Socket, Impact 1/2" DR 23 mm 6 PT Deep	ASME B107.33M
J7324M	Socket, Impact 1/2" DR 24 mm 6 PT Deep	ASME B107.33M
J7325M	Socket, Impact 1/2" DR 25 mm 6 PT Deep	ASME B107.33M
J7326M	Socket, Impact 1/2" DR 26 mm 6 PT Deep	ASME B107.33M
J7327M	Socket, Impact 1/2" DR 27 mm 6 PT Deep	ASME B107.33M
J2585	Socket, Bar 9"	
J2587	Socket, Bar 17"	
J2592	Socket, Clip 1/2" DR	

1/2" DRIVE 15 PIECE IMPACT SOCKET SET - 6 POINT

Product #: **J74104**

Contents	Description	ASME Spec.
J7412H	Socket, Impact 1/2" DR 3/8" 6 PT	ASME B107.2
J7414H	Socket, Impact 1/2" DR 7/16" 6 PT	ASME B107.2
J7416H	Socket, Impact 1/2" DR 1/2" 6 PT	ASME B107.2
J7418H	Socket, Impact 1/2" DR 9/16" 6 PT	ASME B107.2
J7420H	Socket, Impact 1/2" DR 5/8" 6 PT	ASME B107.2
J7422H	Socket, Impact 1/2" DR 11/16" 6 PT	ASME B107.2
J7424H	Socket, Impact 1/2" DR 3/4" 6 PT	ASME B107.2
J7426H	Socket, Impact 1/2" DR 13/16" 6 PT	ASME B107.2
J7428H	Socket, Impact 1/2" DR 7/8" 6 PT	ASME B107.2
J7430H	Socket, Impact 1/2" DR 15/16" 6 PT	ASME B107.2
J7432H	Socket, Impact 1/2" DR 1" 6 PT	ASME B107.2
J7434H	Socket, Impact 1/2" DR 1-1/16" 6 PT	ASME B107.2
J7436H	Socket, Impact 1/2" DR 1-1/8" 6 PT	ASME B107.2
J7438H	Socket, Impact 1/2" DR 1-3/16" 6 PT	ASME B107.2
J7440H	Socket, Impact 1/2" DR 1-1/4" 6 PT	ASME B107.2
J2584	Socket, Bar 6-1/4"	
J2587	Socket, Bar 17"	
J2592	Socket, Clip 1/2" DR	

- ▶ Proto® 6 Point Impact Sockets are ideal for use on stubborn or damaged fasteners, and also on fasteners made from soft materials.
- ▶ TorquePlus™ features apply.
- ▶ Weight (lbs): 6.44





1/2" DRIVE 15 PIECE IMPACT METRIC THIN WALL SOCKET SET - 6 POINT



Product #: **J74217**



- › Proto® 6 Point Impact Sockets are ideal for use on stubborn or damaged fasteners, and also on fasteners made from soft materials.
- › TorquePlus™ features apply.
- › Weight (lbs): 7.51



Contents	Description	ASME Spec.
J7310MHT	Socket, Impact Thin Wall 1/2" DR 10 mm 6 PT Deep	ASME B107.33M
J7311MHT	Socket, Impact Thin Wall 1/2" DR 11 mm 6 PT Deep	ASME B107.33M
J7312MHT	Socket, Impact Thin Wall 1/2" DR 12 mm 6 PT Deep	ASME B107.33M
J7313MHT	Socket, Impact Thin Wall 1/2" DR 13 mm 6 PT Deep	ASME B107.33M
J7314MHT	Socket, Impact Thin Wall 1/2" DR 14 mm 6 PT Deep	ASME B107.33M
J7315MHT	Socket, Impact Thin Wall 1/2" DR 15 mm 6 PT Deep	ASME B107.33M
J7316MHT	Socket, Impact Thin Wall 1/2" DR 16 mm 6 PT Deep	ASME B107.33M
J7317MHT	Socket, Impact Thin Wall 1/2" DR 17 mm 6 PT Deep	ASME B107.33M
J7318MHT	Socket, Impact Thin Wall 1/2" DR 18 mm 6 PT Deep	ASME B107.33M
J7319MHT	Socket, Impact Thin Wall 1/2" DR 19 mm 6 PT Deep	ASME B107.33M
J7320MHT	Socket, Impact Thin Wall 1/2" DR 20 mm 6 PT Deep	ASME B107.33M
J7321MHT	Socket, Impact Thin Wall 1/2" DR 21 mm 6 PT Deep	ASME B107.33M
J7322MHT	Socket, Impact Thin Wall 1/2" DR 22 mm 6 PT Deep	ASME B107.33M
J7323MHT	Socket, Impact Thin Wall 1/2" DR 23 mm 6 PT Deep	ASME B107.33M
J7324MHT	Socket, Impact Thin Wall 1/2" DR 24 mm 6 PT Deep	ASME B107.33M
J2587	Socket, Bar 17"	
J2592	Socket, Clip 1/2" DR	

1/2" DRIVE 15 PIECE METRIC DEEP IMPACT SOCKET SET - 6 POINT



Product #: **J74214**

- › Proto® 6 Point Impact Sockets are ideal for use on stubborn or damaged fasteners, and also on fasteners made from soft materials.
- › TorquePlus™ features apply.
- › Weight (lbs): 8.61



Contents	Description	ASME Spec.
J7310M	Socket, Impact 1/2" DR 10 mm 6 PT Deep	ASME B107.33M
J7311M	Socket, Impact 1/2" DR 11 mm 6 PT Deep	ASME B107.33M
J7312M	Socket, Impact 1/2" DR 12 mm 6 PT Deep	ASME B107.33M
J7313M	Socket, Impact 1/2" DR 13 mm 6 PT Deep	ASME B107.33M
J7314M	Socket, Impact 1/2" DR 14 mm 6 PT Deep	ASME B107.33M
J7315M	Socket, Impact 1/2" DR 15 mm 6 PT Deep	ASME B107.33M
J7316M	Socket, Impact 1/2" DR 16 mm 6 PT Deep	ASME B107.33M
J7317M	Socket, Impact 1/2" DR 17 mm 6 PT Deep	ASME B107.33M
J7318M	Socket, Impact 1/2" DR 18 mm 6 PT Deep	ASME B107.33M
J7319M	Socket, Impact 1/2" DR 19 mm 6 PT Deep	ASME B107.33M
J7320M	Socket, Impact 1/2" DR 20 mm 6 PT Deep	ASME B107.33M
J7321M	Socket, Impact 1/2" DR 21 mm 6 PT Deep	ASME B107.33M
J7322M	Socket, Impact 1/2" DR 22 mm 6 PT Deep	ASME B107.33M
J7323M	Socket, Impact 1/2" DR 23 mm 6 PT Deep	ASME B107.33M
J7324M	Socket, Impact 1/2" DR 24 mm 6 PT Deep	ASME B107.33M
J2587	Socket, Bar 17"	
J2592	Socket, Clip 1/2" DR	



1/2" DRIVE 15 PIECE DEEP IMPACT SOCKET SET - 6 POINT

Product #: J74114

- ▶ Proto® 6 Point Impact Sockets are ideal for use on stubborn or damaged fasteners, and also on fasteners made from soft materials.
- ▶ TorquePlus™ features apply.
- ▶ Weight (lbs): 11.91



Contents	Description	ASME Spec.
J7312H	Socket, Impact 1/2" DR 3/8" 6 PT Deep	ASME B107.2
J7314H	Socket, Impact 1/2" DR 7/16" 6 PT Deep	ASME B107.2
J7316H	Socket, Impact 1/2" DR 1/2" 6 PT Deep	ASME B107.2
J7318H	Socket, Impact 1/2" DR 9/16" 6 PT Deep	ASME B107.2
J7320H	Socket, Impact 1/2" DR 5/8" 6 PT Deep	ASME B107.2
J7322H	Socket, Impact 1/2" DR 11/16" 6 PT Deep	ASME B107.2
J7324H	Socket, Impact 1/2" DR 3/4" 6 PT Deep	ASME B107.2
J7326H	Socket, Impact 1/2" DR 13/16" 6 PT Deep	ASME B107.2
J7328H	Socket, Impact 1/2" DR 7/8" 6 PT Deep	ASME B107.2
J7330H	Socket, Impact 1/2" DR 15/16" 6 PT Deep	ASME B107.2
J7332H	Socket, Impact 1/2" DR 1" 6 PT Deep	ASME B107.2
J7334H	Socket, Impact 1/2" DR 1-1/16" 6 PT Deep	ASME B107.2
J7336H	Socket, Impact 1/2" DR 1-1/8" 6 PT Deep	ASME B107.2
J7338H	Socket, Impact 1/2" DR 1-3/16" 6 PT Deep	ASME B107.2
J7340H	Socket, Impact 1/2" DR 1-1/4" 6 PT Deep	ASME B107.2
J2584	Socket, Bar 6-1/4"	
J2587	Socket, Bar 17"	
J2592	Socket, Clip 1/2" DR	

1/2" DRIVE 15 PIECE DEEP THIN WALL IMPACT SOCKET SET - 6 POINT

Product #: J74117

- ▶ Specifically designed for light clearance applications.
- ▶ Reduced wall thickness helps improve access to fasteners in restricted areas.
- ▶ All Impact sockets feature one through hole and a groove to accept a retaining ring and pin to secure the socket to the power tool anvil. Chamfered service ends for quick and positive fastener engagement.
- ▶ Proto® 6 Point Impact Sockets are ideal for use on stubborn or damaged fasteners, and also on fasteners made from soft materials.
- ▶ Thinner walls help improve productivity by making it easier to gain access to fasteners in confined spaces.
- ▶ Often used in application where fasteners are close together, such as tire service.
- ▶ Extra deep length helps improve access in confined areas.
- ▶ TorquePlus™ features apply.
- ▶ Thin wall sockets are lightweight.
- ▶ Designed to fit into smaller spaces.
- ▶ Weight (lbs): 10.06



Contents	Description	ASME Spec.
J7312HT	Socket, Impact Thin Wall 1/2" DR 3/8" 6 PT Deep	ASME B107.2
J7314HT	Socket, Impact Thin Wall 1/2" DR 7/16" 6 PT Deep	ASME B107.2
J7316HT	Socket, Impact Thin Wall 1/2" DR 1/2" 6 PT Deep	ASME B107.2
J7318HT	Socket, Impact Thin Wall 1/2" DR 9/16" 6 PT Deep	ASME B107.2
J7320HT	Socket, Impact Thin Wall 1/2" DR 5/8" 6 PT Deep	ASME B107.2
J7322HT	Socket, Impact Thin Wall 1/2" DR 11/16" 6 PT Deep	ASME B107.2
J7324HT	Socket, Impact Thin Wall 1/2" DR 3/4" 6 PT Deep	ASME B107.2
J7326HT	Socket, Impact Thin Wall 1/2" DR 13/16" 6 PT Deep	ASME B107.2
J7328HT	Socket, Impact Thin Wall 1/2" DR 7/8" 6 PT Deep	ASME B107.2
J7330HT	Socket, Impact Thin Wall 1/2" DR 15/16" 6 PT Deep	ASME B107.2
J7332HT	Socket, Impact Thin Wall 1/2" DR 1" 6 PT Deep	ASME B107.2
J7334HT	Socket, Impact Thin Wall 1/2" DR 1-1/16" 6 PT Deep	ASME B107.2
J7336HT	Socket, Impact Thin Wall 1/2" DR 1-1/8" 6 PT Deep	ASME B107.2
J7338HT	Socket, Impact Thin Wall 1/2" DR 1-3/16" 6 PT Deep	ASME B107.2
J7340HT	Socket, Impact Thin Wall 1/2" DR 1-1/4" 6 PT Deep	ASME B107.2

1/2" DRIVE 15 PIECE METRIC IMPACT SOCKET SET - 6 POINT

METRIC

Product #: J74204



- › Proto® 6 Point Impact Sockets are ideal for use on stubborn or damaged fasteners, and also on fasteners made from soft materials.
- › TorquePlus™ features apply.
- › Weight (lbs): 4.28



Contents	Description	ASME Spec.
J7410M	Socket, Impact 1/2" DR 10 mm 6 PT	ASME B107.33M
J7411M	Socket, Impact 1/2" DR 11 mm 6 PT	ASME B107.33M
J7412M	Socket, Impact 1/2" DR 12 mm 6 PT	ASME B107.33M
J7413M	Socket, Impact 1/2" DR 13 mm 6 PT	ASME B107.33M
J7414M	Socket, Impact 1/2" DR 14 mm 6 PT	ASME B107.33M
J7415M	Socket, Impact 1/2" DR 15 mm 6 PT	ASME B107.33M
J7416M	Socket, Impact 1/2" DR 16 mm 6 PT	ASME B107.33M
J7417M	Socket, Impact 1/2" DR 17 mm 6 PT	ASME B107.33M
J7418M	Socket, Impact 1/2" DR 18 mm 6 PT	ASME B107.33M
J7419M	Socket, Impact 1/2" DR 19 mm 6 PT	ASME B107.33M
J7420M	Socket, Impact 1/2" DR 20 mm 6 PT	ASME B107.33M
J7421M	Socket, Impact 1/2" DR 21 mm 6 PT	ASME B107.33M
J7422M	Socket, Impact 1/2" DR 22 mm 6 PT	ASME B107.33M
J7423M	Socket, Impact 1/2" DR 23 mm 6 PT	ASME B107.33M
J7424M	Socket, Impact 1/2" DR 24 mm 6 PT	ASME B107.33M
J2587	Socket, Bar 17"	
J2592	Socket, Clip 1/2" DR	

1/2" DRIVE 11 PIECE IMPACT SOCKET SET - 6 POINT

Product #: J74102



Contents	Description	ASME Spec.
J7416H	Socket, Impact 1/2" DR 1/2" 6 PT	ASME B107.2
J7418H	Socket, Impact 1/2" DR 9/16" 6 PT	ASME B107.2
J7420H	Socket, Impact 1/2" DR 5/8" 6 PT	ASME B107.2
J7422H	Socket, Impact 1/2" DR 11/16" 6 PT	ASME B107.2
J7424H	Socket, Impact 1/2" DR 3/4" 6 PT	ASME B107.2
J7426H	Socket, Impact 1/2" DR 13/16" 6 PT	ASME B107.2
J7428H	Socket, Impact 1/2" DR 7/8" 6 PT	ASME B107.2
J7430H	Socket, Impact 1/2" DR 15/16" 6 PT	ASME B107.2
J7432H	Socket, Impact 1/2" DR 1" 6 PT	ASME B107.2
J7434H	Socket, Impact 1/2" DR 1-1/16" 6 PT	ASME B107.2
J7436H	Socket, Impact 1/2" DR 1-1/8" 6 PT	ASME B107.2
J2586	Socket, Bar 13"	
J2592	Socket, Clip 1/2" DR	

- › Proto® 6 Point Impact Sockets are ideal for use on stubborn or damaged fasteners, and also on fasteners made from soft materials.
- › TorquePlus™ features apply.
- › Weight (lbs): 4.10



1/2" DRIVE 11 PIECE DEEP IMPACT SOCKET SET - 6 POINT

Product #: J74112



- › Proto® 6 Point Impact Sockets are ideal for use on stubborn or damaged fasteners, and also on fasteners made from soft materials.
- › TorquePlus™ features apply.
- › Weight (lbs): 8.03



Contents	Description	ASME Spec.
J7316H	Socket, Impact 1/2" DR 1/2" 6 PT Deep	ASME B107.2
J7318H	Socket, Impact 1/2" DR 9/16" 6 PT Deep	ASME B107.2



Contents	Description	ASME Spec.
J7320H	Socket, Impact 1/2" DR 5/8" 6 PT Deep	ASME B107.2
J7322H	Socket, Impact 1/2" DR 11/16" 6 PT Deep	ASME B107.2
J7324H	Socket, Impact 1/2" DR 3/4" 6 PT Deep	ASME B107.2
J7326H	Socket, Impact 1/2" DR 13/16" 6 PT Deep	ASME B107.2
J7328H	Socket, Impact 1/2" DR 7/8" 6 PT Deep	ASME B107.2
J7330H	Socket, Impact 1/2" DR 15/16" 6 PT Deep	ASME B107.2
J7332H	Socket, Impact 1/2" DR 1" 6 PT Deep	ASME B107.2
J7334H	Socket, Impact 1/2" DR 1-1/16" 6 PT Deep	ASME B107.2
J7336H	Socket, Impact 1/2" DR 1-1/8" 6 PT Deep	ASME B107.2
J2586	Socket, Bar 13"	
J2592	Socket, Clip 1/2" DR	

1/2" DRIVE 10 PIECE METRIC IMPACT SOCKET SET - 6 POINT METRIC

Product #: J74202

- ▶ Proto® 6 Point Impact Sockets are ideal for use on stubborn or damaged fasteners, and also on fasteners made from soft materials.
- ▶ TorquePlus™ features apply.
- ▶ Weight (lbs): 2.15



Contents	Description	ASME Spec.
J7410M	Socket, Impact 1/2" DR 10 mm 6 PT	ASME B107.33M
J7411M	Socket, Impact 1/2" DR 11 mm 6 PT	ASME B107.33M
J7412M	Socket, Impact 1/2" DR 12 mm 6 PT	ASME B107.33M
J7413M	Socket, Impact 1/2" DR 13 mm 6 PT	ASME B107.33M
J7414M	Socket, Impact 1/2" DR 14 mm 6 PT	ASME B107.33M
J7415M	Socket, Impact 1/2" DR 15 mm 6 PT	ASME B107.33M
J7416M	Socket, Impact 1/2" DR 16 mm 6 PT	ASME B107.33M
J7417M	Socket, Impact 1/2" DR 17 mm 6 PT	ASME B107.33M
J7418M	Socket, Impact 1/2" DR 18 mm 6 PT	ASME B107.33M
J7419M	Socket, Impact 1/2" DR 19 mm 6 PT	ASME B107.33M
J2586	Socket, Bar 13"	
J2592	Socket, Clip 1/2" DR	

1/2" DRIVE 10 PIECE METRIC DEEP IMPACT SOCKET SET - 6 POINT METRIC

Product #: J74212

- ▶ Proto® 6 Point Impact Sockets are ideal for use on stubborn or damaged fasteners, and also on fasteners made from soft materials.
- ▶ TorquePlus™ features apply.
- ▶ Weight (lbs): 4.78



Contents	Description	ASME Spec.
J7310M	Socket, Impact 1/2" DR 10 mm 6 PT Deep	ASME B107.33M
J7311M	Socket, Impact 1/2" DR 11 mm 6 PT Deep	ASME B107.33M
J7312M	Socket, Impact 1/2" DR 12 mm 6 PT Deep	ASME B107.33M
J7313M	Socket, Impact 1/2" DR 13 mm 6 PT Deep	ASME B107.33M
J7314M	Socket, Impact 1/2" DR 14 mm 6 PT Deep	ASME B107.33M
J7315M	Socket, Impact 1/2" DR 15 mm 6 PT Deep	ASME B107.33M
J7316M	Socket, Impact 1/2" DR 16 mm 6 PT Deep	ASME B107.33M
J7317M	Socket, Impact 1/2" DR 17 mm 6 PT Deep	ASME B107.33M
J7318M	Socket, Impact 1/2" DR 18 mm 6 PT Deep	ASME B107.33M
J7319M	Socket, Impact 1/2" DR 19 mm 6 PT Deep	ASME B107.33M
J2587	Socket, Bar 17"	
J2592	Socket, Clip 1/2" DR	

1/2" DRIVE 8 PIECE DEEP IMPACT SOCKET SET - 6 POINT

Product #: **J72159**



Contents	Description	ASME Spec.
J7316H	Socket, Impact 1/2" DR 1/2" 6 PT Deep	ASME B107.2
J7318H	Socket, Impact 1/2" DR 9/16" 6 PT Deep	ASME B107.2
J7320H	Socket, Impact 1/2" DR 5/8" 6 PT Deep	ASME B107.2
J7322H	Socket, Impact 1/2" DR 11/16" 6 PT Deep	ASME B107.2
J7324H	Socket, Impact 1/2" DR 3/4" 6 PT Deep	ASME B107.2
J7326H	Socket, Impact 1/2" DR 13/16" 6 PT Deep	ASME B107.2
J7328H	Socket, Impact 1/2" DR 7/8" 6 PT Deep	ASME B107.2
J7330H	Socket, Impact 1/2" DR 15/16" 6 PT Deep	ASME B107.2
J2588	Socket, Bar 11"	
J2592	Socket, Clip 1/2" DR	

- ▶ Deep Sockets: 5/8, 11/16, 3/4, 13/16, 7/8, 15/16 Inch.
- ▶ Accessories: Socket Clip and Socket Rail.
- ▶ Weight (lbs): 4.01



1/2" DRIVE 7 PIECE IMPACT SOCKET SET - 6 POINT

Product #: **J72157**



Contents	Description	ASME Spec.
J7414H	Socket, Impact 1/2" DR 7/16" 6 PT	ASME B107.2
J7416H	Socket, Impact 1/2" DR 1/2" 6 PT	ASME B107.2
J7418H	Socket, Impact 1/2" DR 9/16" 6 PT	ASME B107.2
J7420H	Socket, Impact 1/2" DR 5/8" 6 PT	ASME B107.2
J7422H	Socket, Impact 1/2" DR 11/16" 6 PT	ASME B107.2
J7424H	Socket, Impact 1/2" DR 3/4" 6 PT	ASME B107.2
J7426H	Socket, Impact 1/2" DR 13/16" 6 PT	ASME B107.2
J2588	Socket, Bar 11"	
J2592	Socket, Clip 1/2" DR	

- ▶ Standard Sockets: 7/16, 1/2, 9/16, 5/8, 11/16, 3/4, 13/16 Inch.
- ▶ Accessories: Socket Clip and Socket Rail.
- ▶ Weight (lbs): 3.08



1/2" DRIVE 8 PIECE DEEP UNIVERSAL IMPACT SOCKET SET - 6 POINT

Product #: **J72145**



Contents	Description
J75275P	Socket, Impact 1/2" DR Universal 1/2" 6 PT Deep
J75276P	Socket, Impact 1/2" DR Universal 9/16" 6 PT Deep
J75277P	Socket, Impact 1/2" DR Universal 5/8" 6 PT Deep
J75278P	Socket, Impact 1/2" DR Universal 11/16" 6 PT Deep
J75279P	Socket, Impact 1/2" DR Universal 3/4" 6 PT Deep
J75280P	Socket, Impact 1/2" DR Universal 13/16" 6 PT Deep
J75281P	Socket, Impact 1/2" DR Universal 7/8" 6 PT Deep
J75282P	Socket, Impact 1/2" DR Universal 15/16" 6 PT Deep
J2592	Socket, Clip 1/2" DR
J2588	Socket, Bar 11"

- ▶ Universal Sockets: 1/2, 9/16, 5/8, 11/16, 3/4, 13/16, 7/8, 15/16 Inch.
- ▶ Accessories: Socket Clip and Socket Rail.
- ▶ Weight (lbs): 3.68



1/2" DRIVE 7 PIECE METRIC DEEP IMPACT UNIVERSAL SOCKET SET - 6 POINT

Product #: **J72147M**



Contents	Description
J75413MP	Socket, Impact 1/2" DR Universal 13 mm 6 PT Deep
J75414MP	Socket, Impact 1/2" DR Universal 14 mm 6 PT Deep
J75415MP	Socket, Impact 1/2" DR Universal 15 mm 6 PT Deep
J75416MP	Socket, Impact 1/2" DR Universal 16 mm 6 PT Deep
J75417MP	Socket, Impact 1/2" DR Universal 17 mm 6 PT Deep
J75418MP	Socket, Impact 1/2" DR Universal 18 mm 6 PT Deep
J75419MP	Socket, Impact 1/2" DR Universal 19 mm 6 PT Deep
J2592	Socket, Clip 1/2" DR
J2588	Socket, Bar 11"

- ▶ Universal Sockets: 13, 14, 15, 16, 17, 18, 19 mm.
- ▶ Accessories: Socket Clip and Socket Rail.
- ▶ Weight (lbs): 4.07



1/2" DRIVE 7 PIECE METRIC UNIVERSAL IMPACT SOCKET SET - 6 POINT

METRIC

Product #: J72143M



Contents	Description
J74413MP	Socket, Impact 1/2" DR Universal 13 mm 6 PT
J74414MP	Socket, Impact 1/2" DR Universal 14 mm 6 PT
J74415MP	Socket, Impact 1/2" DR Universal 15 mm 6 PT
J74416MP	Socket, Impact 1/2" DR Universal 16 mm 6 PT
J74417MP	Socket, Impact 1/2" DR Universal 17 mm 6 PT
J74418MP	Socket, Impact 1/2" DR Universal 18 mm 6 PT
J74419MP	Socket, Impact 1/2" DR Universal 19 mm 6 PT
J2592	Socket, Clip 1/2" DR
J2588	Socket, Bar 11"

- › Universal Sockets: 13, 14, 15, 16, 17, 18, 19 mm.
- › Accessories: Socket Clip and Socket Rail.
- › Weight (lbs) 3.32



1/2" DRIVE 7 PIECE UNIVERSAL IMPACT SOCKET SET - 6 POINT

Product #: J74142



- › Ball and spring design which allows for a 30° working angle.
- › Smooth 360° rotation.
- › Proto® 6 Point Impact Sockets are ideal for use on stubborn or damaged fasteners, and also on fasteners made from soft materials.
- › TorquePlus™ features apply.
- › Socket size stamped on tool for easy identification.
- › Side locking hole.
- › Weight (lbs): 3.24



Contents	Description	ASME Spec.
J74274P	Socket, Impact 1/2" DR 7/16" 6 PT Universal	ASME B107.2
J74275P	Socket, Impact 1/2" DR 1/2" 6 PT Universal	ASME B107.2
J74276P	Socket, Impact 1/2" DR 9/16" 6 PT Universal	ASME B107.2
J74277P	Socket, Impact 1/2" DR 5/8" 6 PT Universal	ASME B107.2
J74278P	Socket, Impact 1/2" DR 11/16" 6 PT Universal	ASME B107.2
J74279P	Socket, Impact 1/2" DR 3/4" 6 PT Universal	ASME B107.2
J74280P	Socket, Impact 1/2" DR 13/16" 6 PT Universal	ASME B107.2
J2585	Socket, Bar 9"	
J2592	Socket, Clip 1/2" DR	

1/2" DRIVE 7 PIECE HEX BIT IMPACT SOCKET SET

Product #: J74152



- › Made of forged steel.
- › Size stamped on tool for easy identification.
- › Side locking hole.
- › Weight (lbs): 2.98

Contents	Description
J74411/4	Socket, Impact Hex Bit 1/2" DR 1/4"
J74415/16	Socket, Impact Hex Bit 1/2" DR 5/16"
J74413/8	Socket, Impact Hex Bit 1/2" DR 3/8"
J74417/16	Socket, Impact Hex Bit 1/2" DR 7/16"
J74411/2	Socket, Impact Hex Bit 1/2" DR 1/2"
J74419/16	Socket, Impact Hex Bit 1/2" DR 9/16"
J74415/8	Socket, Impact Hex Bit 1/2" DR 5/8"
J2585	Socket, Bar 9"
J2592	Socket, Clip 1/2" DR





1/2" DRIVE 6 PIECE METRIC HEX BIT IMPACT SOCKET SET

METRIC



Product #: **J74252**

- › Made of forged steel.
- › Size stamped on tool for easy identification.
- › Side locking hole.
- › Weight (lbs): 2.55

Contents	Description
J7441-6M	Socket, Impact Hex Bit 1/2" DR 6 mm
J7441-8M	Socket, Impact Hex Bit 1/2" DR 8 mm
J7441-10M	Socket, Impact Hex Bit 1/2" DR 10 mm
J7441-12M	Socket, Impact Hex Bit 1/2" DR 12 mm
J7441-14M	Socket, Impact Hex Bit 1/2" DR 14 mm
J7441-17M	Socket, Impact Hex Bit 1/2" DR 17 mm
J2585	Socket, Bar 9"
J2592	Socket, Clip 1/2" DR



1/2" DRIVE 3 PIECE LOCKING IMPACT EXTENSION SET



Product #: **J7515**

- › Solid one-piece design helps prevent the locking components from becoming loose or disengaged.
- › Patented locking feature locks sockets to the extension with exceptional force.
- › Knurled shank provides a slip-resistant grip when hand-turning the extension.
- › Weight (lbs): 2.06

Contents	Description
J7503	Extension, Impact 1/2" DR x 3" Locking
J7505	Extension, Impact 1/2" DR x 5" Locking
J7510	Extension, Impact 1/2" DR x 10" Locking



1/2" DRIVE IMPACT SOCKETS - 6 POINT

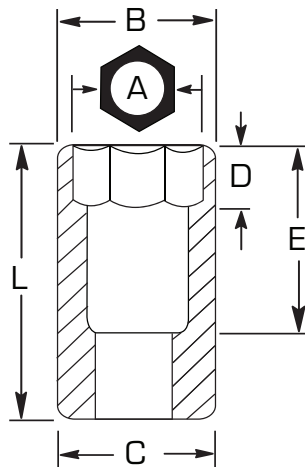
- ▶ Proto® 6 Point Impact Sockets are ideal for use on stubborn or damaged fasteners, and also on fasteners made from soft materials.
- ▶ TorquePlus™ features apply.



Product #	Size (in) (A)	Nut End Outside Dia. (in) (B)	Drive End Outside Dia. (in) (C)	Nut Depth (in) (D)	Bolt Clearance Depth (in) (E)	Overall Length (in) (L)	Weight (lbs)
J7412H	3/8	41/64	15/16	11/32	27/32	1-1/2	0.17
J7414H	7/16	23/32	15/16	13/32	27/32	1-1/2	0.18
J7416H	1/2	51/64	15/16	13/32	27/32	1-1/2	0.18
J7418H	9/16	7/8	15/16	7/16	27/32	1-1/2	0.18
J7420H	5/8	1	1	1/2	27/32	1-1/2	0.20
J7422H	11/16	1-1/32	1-1/32	1/2	27/32	1-1/2	0.22
J7424H	3/4	1-7/64	1-7/64	51/64	27/32	1-1/2	0.24
J7426H	13/16	1-13/64	1-13/64	11/16	31/32	1-5/8	0.31
J7428H	7/8	1-17/64	1-9/32	43/64	31/32	1-5/8	0.34
J7430H	15/16	1-23/64	1-23/64	51/64	1-3/32	1-3/4	0.44
J7432H	1	1-1/2	1-1/2	25/32	1-3/32	1-3/4	0.55
J7434H	1-1/16	1-33/64	1-33/64	25/32	1-3/32	1-3/4	0.53
J7436H	1-1/8	1-19/32	1-19/32	25/32	1-1/32	2	0.65
J7438H	1-3/16	1-19/32	1-19/32	3/4	1-1/64	2	0.85
J7440H	1-1/4	1-3/4	1-3/4	3/4	1-3/4	2	0.78
J7442H	1-5/16	1-3/4	1-3/4	13/16	63/64	2	0.73
J7444H	1-3/8	1-51/64	1-5/8	15/16	1-3/32	2-1/8	0.72
J7446H	1-7/16	1-59/64	1-5/8	1	1-37/64	2-15/64	0.87
J7448H	1-1/2	2	1-5/8	1	1-37/64	2-15/64	1.03
J7450H	1-9/16	2-1/32	1-5/8	1	1-1/2	2-1/4	1.16



ASME B107.2



1/2" DRIVE METRIC IMPACT SOCKETS - 6 POINT



- › Proto® 6 Point Impact Sockets are ideal for use on stubborn or damaged fasteners, and also on fasteners made from soft materials.
- › TorquePlus™ features apply.



Product #	Size (mm) (A)	Nut End Outside Dia. (in) (B)	Drive End Outside Dia. (in) (C)	Nut Depth (in) (D)	Bolt Clearance Depth (in) (E)	Overall Length (in) (L)	Weight (lbs)
J7408M	8	37/64	15/16	9/32	27/32	1-1/2	0.18
J7409M	9	41/64	15/16	3/8	27/32	1-1/2	0.18
J7410M	10	43/64	15/16	3/8	27/32	1-1/2	0.18
J7411M	11	23/32	15/16	3/8	27/32	1-1/2	0.18
J7412M	12	51/64	15/16	13/32	27/32	1-1/2	0.17
J7413M	13	51/64	15/16	7/16	27/32	1-1/2	0.16
J7414M	14	7/8	15/16	15/32	27/32	1-1/2	0.18
J7415M	15	15/16	15/16	1/2	27/32	1-1/2	0.18
J7416M	16	1	1	17/32	27/32	1-1/2	0.20
J7417M	17	1-1/32	1-1/32	9/16	27/32	1-1/2	0.22
J7418M	18	1-1/8	1-1/8	51/64	27/32	1-1/2	0.27
J7419M	19	1-7/64	1-7/64	47/64	27/32	1-1/2	0.25
J7420M	20	1-5/32	1-5/32	11/16	31/32	1-5/8	0.30
J7421M	21	1-13/64	1-13/64	43/64	31/32	1-5/8	0.30
J7422M	22	1-9/32	1-9/32	43/64	31/32	1-5/8	0.36
J7423M	23	1-3/8	1-3/8	43/64	31/32	1-5/8	0.39
J7424M	24	1-23/64	1-23/64	43/64	31/32	1-5/8	0.43
J7425M	25	1-3/8	1-3/8	51/64	1-3/32	1-3/4	0.48
J7426M	26	1-1/2	1-1/2	1-1/32	1-11/32	2	0.54
J7427M	27	1-1/2	1-1/2	1-1/32	1-11/32	2	0.62
J7428M	28	1-5/8	1-5/8	1-1/32	1-11/32	2	0.72
J7429M	29	1-5/8	1-5/8	1-1/64	1-11/32	2	0.67
J7430M	30	1-33/64	1-33/64	25/32	1-3/32	2	0.82
J7431M	31	1-33/64	1-33/64	51/64	1-3/32	2	0.83
J7432M	32	1-33/64	1-33/64	51/64	1-3/32	2	0.75
J7433M	33	1-27/32	1-27/32	1-1/64	1-9/32	2	0.95
J7434M	34	1-29/32	1-29/32	1-1/64	1-9/32	2	1.00
J7436M	36	2-1/64	2-1/64	1-3/16	1-11/32	2	0.89
J7438M	38	2-5/32	2-5/32	1-3/16	1-11/32	2-3/8	0.96
J7441M	41	2-19/64	2-19/64	1-21/64	1-17/32	2-3/8	1.20
J7446M	46	2-3/8	2-3/8	63/64	1-17/32	2-7/16	1.24

ASME B107.33M



1/2" DRIVE DEEP IMPACT SOCKETS - 6 POINT

- › Proto® 6 Point Impact Sockets are ideal for use on stubborn or damaged fasteners, and also on fasteners made from soft materials.
- › TorquePlus™ fetatures apply.
- › Socket size stamped on tool for easy identification.
- › Side locking hole.



Product #	Size (in) (A)	Nut End Outside Dia. (in) (B)	Drive End Outside Dia. (in) (C)	Nut Depth (in) (D)	Bolt Clearance Depth (in) (E)	Overall Length (in) (L)	Weight (lbs)
J7312H	3/8	19/32	15/16	15/16	2-5/8	3-1/4	0.42
J7314H	7/16	23/32	15/16	11/32	1-5/8	3-1/4	0.44
J7316H	1/2	1-25/32	15/16	7/16	1-5/8	3-1/4	0.43
J7318H	9/16	7/8	15/16	1/2	1-5/8	3-1/4	0.41
J7320H	5/8	1	1	9/16	1-5/8	3-1/4	0.44
J7322H	11/16	1-1/32	1-1/32	5/8	2-5/8	3-1/4	0.47
J7324H	3/4	1-7/64	1-1/8	1-5/32	2-5/8	3-1/4	0.53
J7326H	13/16	1-3/16	1-3/16	1-5/32	2-5/8	3-1/4	0.62
J7328H	7/8	1-19/64	1-9/32	1-13/32	2-7/8	3-1/2	0.78
J7330H	15/16	1-3/8	1-3/8	1-13/32	2-7/8	3-1/2	0.86
J7332H	1	1-1/2	1-1/2	1-13/32	2-7/8	3-1/2	1.02
J7334H	1-1/16	1-1/2	1-33/64	1-17/32	2-7/8	3-1/2	1.11
J7336H	1-1/8	1-5/8	1-5/8	1-13/32	2-7/8	3-1/2	1.20
J7338H	1-3/16	1-13/16	1-21/32	1-1/64	2-7/8	3-1/2	1.47
J7340H	1-1/4	1-13/16	1-21/32	1-1/64	2-7/8	3-1/2	1.39
J7342H	1-5/16	1-7/8	1-21/32	1-1/16	2-7/8	3-1/2	1.41
J7344H	1-3/8	1-7/8	1-21/32	1-7/64	2-7/8	3-1/2	1.31
J7346H	1-7/16	2-1/16	1-21/32	1-5/32	2-7/8	3-1/2	1.67
J7348H	1-1/2	2-1/16	1-21/32	1-13/64	2-7/8	3-1/2	1.50
J7350H	1-9/16	2	1-5/8	1-1/4	1-1/4	3-1/2	1.80



ASME B107.2



THE STORY BEHIND



TorquePlus™ is a fresh look at an old problem in sockets: worn, stripped and stubborn bolts.

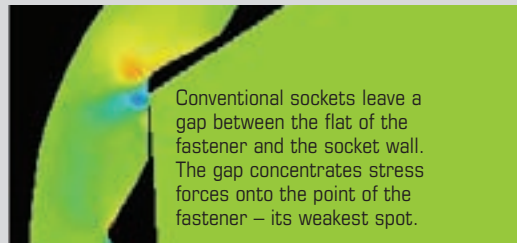
Conventional sockets contact the fasteners near the points of both the fastener and the socket, where they are the weakest.

Excessive force on this combination of fastener and socket can cause fastener rounding, or cut through the socket wall.

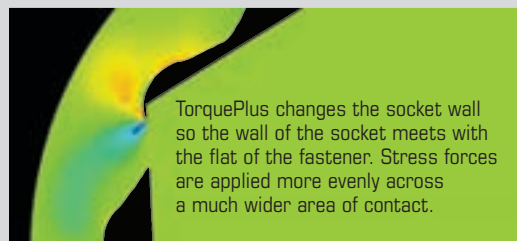
The TorquePlus™ design enables sockets to grip the fastener flats, away from the points.

- › Allows up to 15% more torque to be applied safely to the fastener.
- › Reduces the risk of fastener rounding.
- › Improves the ability to turn worn or rounded fasteners.

The TorquePlus™ design also means aerospace specifications.



STRESS MAP of a conventional socket.



STRESS MAP of a TorquePlus socket.

1/2" DRIVE METRIC DEEP IMPACT SOCKETS - 6 POINT



- › Proto® 6 Point Impact Sockets are ideal for use on stubborn or damaged fasteners, and also on fasteners made from soft materials.
- › TorquePlus™ features apply.
- › Socket size stamped on tool for easy identification.
- › Side locking hole.



Product #	Size (mm) (A)	Nut End Outside Dia. (in) (B)	Drive End Outside Dia. (in) (C)	Nut Depth (in) (D)	Bolt Clearance Depth (in) (E)	Overall Length (in) (L)	Weight (lbs)
J7308M	8	37/64	7/8	5/16	2-19/32	3-1/4	0.37
J7309M	9	19/32	7/8	3/8	2-19/32	3-1/4	0.36
J7310M	10	41/64	15/16	7/16	2-19/32	3-1/4	0.43
J7311M	11	45/64	15/16	7/16	2-19/32	3-1/4	0.43
J7312M	12	47/64	15/16	1/2	2-19/32	3-1/4	0.43
J7313M	13	25/32	15/16	1/2	2-19/32	3-1/4	0.42
J7314M	14	55/64	15/16	1/2	2-19/32	3-1/4	0.40
J7315M	15	15/16	1	37/64	2-19/32	3-1/4	0.40
J7316M	16	1	1-1/32	19/32	2-19/32	3-1/4	0.46
J7317M	17	1-1/32	1-1/16	5/8	2-19/32	3-1/4	0.45
J7318M	18	1-1/16	1-1/16	43/64	2-19/32	3-1/4	0.49
J7319M	19	1-7/64	1-7/64	1-5/32	2-19/32	3-1/4	0.52
J7320M	20	1-5/32	1-5/32	1-5/32	2-19/32	3-1/4	0.55
J7321M	21	1-13/64	1-13/64	1-13/32	2-19/32	3-1/4	0.66
J7322M	22	1-9/32	1-9/32	1-13/32	2-27/32	3-1/2	0.75
J7323M	23	1-19/64	1-19/64	1-13/32	2-27/32	3-1/2	0.75
J7324M	24	1-23/64	1-23/64	1-13/32	2-27/32	3-1/2	0.81
J7325M	25	1-7/16	1-7/16	1-13/32	2-27/32	3-1/2	0.92
J7326M	26	1-1/2	1-1/2	1-13/32	2-27/32	3-1/2	1.03
J7327M	27	1-9/16	1-9/16	1-13/32	2-27/32	3-1/2	1.14
J7328M	28	1-5/8	1-5/8	1-13/32	2-27/32	3-1/2	1.20
J7329M	29	1-5/8	1-5/8	1-33/64	2-27/32	3-1/2	1.16
J7330M	30	1-11/16	1-11/16	1-13/32	2-27/32	3-1/2	1.53
J7332M	32	1-25/32	1-25/32	1-13/64	2-27/32	3-1/2	1.32
J7333M	33	1-55/64	1-55/64	1-25/64	2-27/32	3-1/2	1.48
J7334M	34	1-15/16	1-15/16	1-25/64	2-27/32	3-1/2	1.50
J7335M	35	2-1/16	2-1/16	1-25/64	2-27/32	3-1/2	1.61
J7336M	36	2-1/16	2-1/16	1-25/64	2-27/32	3-1/2	1.63

ASME B107.33M



1/2" DRIVE DEEP THIN WALL IMPACT SOCKETS - 6 POINT

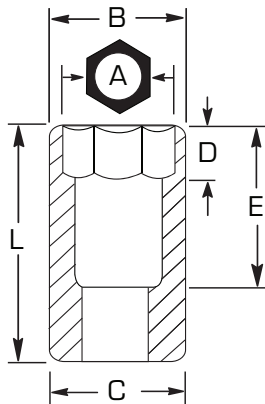
- › Specifically designed for light clearance applications.
- › Reduced wall thickness helps improve access to fasteners in restricted areas.
- › All Impact sockets feature one through hole and a groove to accept a retaining ring and pin to secure the socket to the power tool anvil.
- › Chamfered service ends for quick and positive fastener engagement.
- › Proto® 6 Point Impact Sockets are ideal for use on stubborn or damaged fasteners, and also on fasteners made from soft materials.
- › TorquePlus™ features apply.
- › Thin wall sockets are lightweight.
- › Designed to fit into smaller spaces.
- › Thinner walls help improve productivity by making it easier to gain access to fasteners in confined spaces.
- › Extra deep length helps improve access in confined areas.
- › Often used in application where fasteners are close together, such as tire service.



Product #	Size (in) (A)	Nut End Outside Dia. (in) (B)	Drive End Outside Dia. (in) (C)	Nut Depth (in) (D)	Bolt Clearance Depth (in) (E)	Overall Length (in) (L)	Weight (lbs)
J7312HT	3/8	9/16	15/16	5/16	2-9/32	3-1/4	0.43
J7314HT	7/16	21/32	15/16	3/8	2-1/4	3-1/4	0.43
J7316HT	1/2	23/32	15/16	3/8	2-3/16	3-1/4	0.42
J7318HT	9/16	13/16	15/16	7/16	2-3/3	3-1/4	0.39
J7320HT	5/8	7/8	15/16	1/2	2-1/32	3-1/4	0.37
J7322HT	11/16	31/32	31/32	1/2	2	3-1/4	0.47
J7324HT	3/4	1-1/32	1-1/32	1-11/64	1-7/16	3-1/4	0.39
J7326HT	13/16	1-1/8	1-1/8	1-11/64	1-7/16	3-1/4	0.48
J7328HT	7/8	1-3/16	1-3/16	1-13/32	1-7/16	3-1/2	0.58
J7330HT	15/16	1-17/64	1-17/64	1-13/32	1-7/16	3-1/2	0.69
J7332HT	1"	1-3/8	1-3/8	1-13/32	1-7/16	3-1/2	0.76
J7334HT	1-1/16	1-31/64	1-31/64	1-17/32	1-5/16	3-1/2	0.89
J7336HT	1-1/8	1-9/16	1-9/16	1-17/32	1-5/16	3-1/2	1.03
J7338HT	1-3/16	1-5/8	1-5/8	1-17/32	1-5/16	3-1/2	1.14
J7340HT	1-1/4	1-11/16	1-11/16	1-17/32	1-5/16	3-1/2	1.22
J7342HT	1-5/16	1-13/16	1-13/16	1-17/32	1-5/16	3-1/2	1.36
J7344HT	1-3/8	1-13/16	1-13/16	1-17/32	1	3-1/2	1.44
J7346HT	1-7/16	1-15/16	1-15/16	1-13/16	1	3-1/2	1.56
J7348HT	1-1/2	2	2	1-13/16	1	3-1/2	1.58



ASME B107.2



1/2" DRIVE METRIC DEEP THIN WALL IMPACT SOCKETS - 6 POINT

- › Specifically designed for light clearance applications.
- › Reduced wall thickness helps improve access to fasteners in restricted areas.
- › All Impact sockets feature one through hole and a groove to accept a retaining ring and pin to secure the socket to the power tool anvil.
- › Chamfered service ends for quick and positive fastener engagement.
- › Proto® 6 Point Impact Sockets are ideal for use on stubborn or damaged fasteners, and also on fasteners made from soft materials.
- › TorquePlus™ features apply.
- › Thin wall sockets are lightweight.
- › Designed to fit into smaller spaces.
- › Thinner walls help improve productivity by making it easier to gain access to fasteners in confined spaces.
- › Extra deep length helps improve access in confined areas.
- › Often used in application where fasteners are close together, such as tire service.



METRIC



Product #	Size (mm) (A)	Nut End Outside Dia. (in) (B)	Drive End Outside Dia. (in) (C)	Nut Depth (in) (D)	Bolt Clearance Depth (in) (E)	Overall Length (in) (L)	Weight (lbs)
J7310MHT	10	39/64	15/16	3/8	2-7/32	3-1/4	0.43
J7311MHT	11	21/32	15/16	25/64	2-13/64	3-1/4	0.44
J7312MHT	12	11/16	15/16	7/16	2-5/32	3-1/4	0.45
J7313MHT	13	47/64	15/16	7/16	2-5/32	3-1/4	0.41
J7314MHT	14	13/16	15/16	7/16	2-5/32	3-1/4	0.35
J7315MHT	15	27/32	15/16	17/32	2-1/16	3-1/4	0.37
J7316MHT	16	7/8	15/16	17/32	2-1/16	3-1/4	0.37
J7317MHT	17	15/16	15/16	11/16	1-29/32	3-1/4	0.35
J7318MHT	18	1	1	3/4	1-27/32	3-1/4	0.40
J7319MHT	19	1-1/32	1-1/32	1-5/32	1-7/16	3-1/4	0.37
J7320MHT	20	1-1/16	1-1/16	1-5/32	1-7/16	3-1/4	0.41
J7321MHT	21	1-1/8	1-1/8	1-13/32	1-27/64	3-1/2	0.51
J7322MHT	22	1-3/16	1-3/16	1-13/32	1-27/64	3-1/2	0.56
J7323MHT	23	1-1/4	1-1/4	1-13/32	1-27/64	3-1/2	0.63
J7324MHT	24	1-5/16	1-5/16	1-13/32	1-27/64	3-1/2	0.72
J7330MHT	30	1-25/32	1-25/32	2-35/64	1-27/64	3-1/2	1.45



ASME B107.33M

1/2" DRIVE POWER SOCKET - 6 POINT

COTTON PICKER SOCKET

- › Removes and replaces spindles on cotton pickers.



Product #	Size (in) (A)	Finish	Overall Length (in) (L)	Weight (lbs)
J7336CPB	1-1/8	Black Oxide	5-49/64	1.67



ASME B107.2



1/2" DRIVE IMPACT SOCKETS - 8 POINT

- ▶ Drive end chamfer and four detents help provide quick positive engagement with drive tool on any of the socket drive walls.
- ▶ Tight tolerances for snug fit on fastener.
- ▶ Large clearance holes, concentric opening and nut end chamfer make it easy to position socket on fasteners.
- ▶ Made from high-strength steel to help minimize wall thickness and provide access to fasteners in recesses and where nuts and bolts protrude.
- ▶ Impact sockets are used wherever powered drive tools are used to install or remove fasteners.
- ▶ Impact sockets are designed to withstand higher torque and force associated with impact tools in repetitive application.
- ▶ Proto® 8 Point Impact Sockets are ideal for use on stubborn or damaged fasteners, and also on fasteners made from soft materials.
- ▶ TorquePlus™ features apply.
- ▶ Socket size stamped on tool for easy identification.
- ▶ Side locking hole.



Product #	Size (in) (A)	Nut End Outside Dia. (in) (B)	Drive End Outside Dia. (in) (C)	Nut Depth (in) (D)	Bolt Clearance Depth (in) (E)	Overall Length (in) (L)	Weight (lbs)
J7412S	3/8	47/64	15/16	17/64	27/32	1-1/2	0.17
J7414S	7/16	53/64	15/16	19/64	27/32	1-1/2	0.18
J7416S	1/2	15/16	15/16	11/32	27/32	1-1/2	0.18
J7418S	9/16	1-1/32	1-1/32	3/8	27/32	1-1/2	0.21
J7420S	5/8	1-1/8	1-1/8	27/32	27/32	1-1/2	0.26
J7422S	11/16	1-3/16	1-3/16	27/32	27/32	1-1/2	0.27
J7424S	3/4	1-11/32	1-11/32	27/32	27/32	1-1/2	0.37
J7426S	13/16	1-3/8	1-3/8	27/32	27/32	1-1/2	0.39
J7428S	7/8	1-1/2	1-1/2	31/32	31/32	1-5/8	0.48
J7430S	15/16	1-5/8	1-5/8	1-1/64	1-3/32	1-3/4	0.62
J7432S	1	1-3/4	1-3/4	1-1/64	1-3/32	1-3/4	0.74
J7434S	1-1/16	1-27/32	1-27/32	1-1/64	1-11/32	1-3/4	0.91



ASME B107.2

1/2" DRIVE DEEP IMPACT SOCKETS - 8 POINT

- ▶ Proto® 8 Point Impact Sockets are ideal for use on stubborn or damaged fasteners, and also on fasteners made from soft materials.
- ▶ TorquePlus™ features apply.
- ▶ Drive end chamfer and four detents help provide quick positive engagement with drive tool on any of the socket drive walls.
- ▶ Tight tolerances for snug fit on fastener.
- ▶ Large clearance holes, concentric opening and nut end chamfer make it easy to position socket on fasteners.
- ▶ Made from high-strength steel to help minimize wall thickness and provide access to fasteners in recesses and where nuts and bolts protrude.
- ▶ Impact sockets are used wherever powered drive tools are used to install or remove fasteners.
- ▶ Impact sockets are designed to withstand higher torque and force associated with impact tools in repetitive application.
- ▶ Extra length provides easy access to fasteners in recesses or where nuts and bolts protrude.
- ▶ Socket size stamped on tool for easy identification.
- ▶ Side locking hole.



Product #	Size (in) (A)	Nut End Outside Dia. (in) (B)	Drive End Outside Dia. (in) (C)	Nut Depth (in) (D)	Bolt Clearance Depth (in) (E)	Overall Length (in) (L)	Weight (lbs)
J7312S	3/8	3/4	7/8	11/32	2-19/32	3-1/4	0.37
J7314S	7/16	27/32	15/16	3/8	2-19/32	3-1/4	0.44
J7316S	1/2	51/16	15/16	7/16	2-19/32	3-1/4	0.43
J7318S	9/16	1-1/32	1-1/32	1/2	2-19/32	3-1/4	0.54
J7320S	5/8	1-1/8	1-1/8	1/2	2-19/32	3-1/4	0.63
J7322S	11/16	1-3/16	1-3/16	1-5/32	2-19/32	3-1/4	0.61
J7324S	3/4	1-5/16	1-5/16	1-5/32	2-19/32	3-1/4	0.76
J7326S	13/16	1-3/8	1-3/8	1-5/32	2-19/32	3-1/4	0.83
J7328S	7/8	1-1/2	1-1/2	1-13/32	2-27/32	3-1/2	1.10
J7330S	15/16	1-39/64	1-39/64	1-13/32	2-27/32	3-1/2	1.24
J7332S	1	1-11/16	1-11/16	1-13/32	2-27/32	3-1/2	1.54



ASME B107.2



1/2" DRIVE IMPACT SOCKETS - 12 POINT

- › Proto® 12 Point Impact Sockets are ideal for use on stubborn or damaged fasteners, and also on fasteners made from soft materials.
- › TorquePlus™ features apply.
- › Socket size stamped on tool for easy identification.
- › Side locking hole.



Product #	Size (in) (A)	Nut End Outside Dia. (in) (B)	Drive End Outside Dia. (in) (C)	Nut Depth (in) (D)	Bolt Clearance Depth (in) (E)	Overall Length (in) (L)	Weight (lbs)
J7412	3/8	41/64	15/16	11/32	27/32	1-1/2	0.16
J7414	7/16	23/32	15/16	13/32	27/32	1-1/2	0.17
J7416	1/2	51/64	15/16	13/32	27/32	1-1/2	0.18
J7418	9/16	7/8	15/16	7/16	27/32	1-1/2	0.19
J7420	5/8	1	1	1/2	27/32	1-1/2	0.20
J7422	11/16	1-1/32	1-1/32	1/2	27/32	1-1/2	0.21
J7424	3/4	1-7/64	1-7/64	51/64	27/32	1-1/2	0.23
J7426	13/16	1-13/64	1-13/64	11/16	31/32	1-5/8	0.30
J7428	7/8	1-9/32	1-9/32	43/64	31/32	1-5/8	0.34
J7430	15/16	1-23/64	1-23/64	51/64	1-3/32	1-3/4	0.42
J7432	1	1-1/2	1-1/2	25/32	1-3/32	1-3/4	0.53
J7434	1-1/16	1-33/64	1-33/64	25/32	1-3/32	1-3/4	0.52
J7436	1-1/8	1-19/32	1-19/32	25/32	1-1/32	2	0.62
J7438	1-3/16	1-3/4	1-3/4	3/4	1-1/64	2	0.80
J7440	1-1/4	1-3/4	1-3/4	3/4	1	2	0.77
J7442	1-5/16	1-3/4	1-3/4	13/16	63/64	2	0.72
J7444	1-3/8	1-51/64	1-5/8	13/16	1-3/32	2-1/8	0.70
J7446	1-7/16	1-59/64	1-5/8	1	1-37/64	2-15/64	0.80
J7448	1-1/2	2	1-5/8	1	1-37/64	2-15/64	0.97



AS954E S3.8.1

ASME B107.2

1/2" DRIVE METRIC IMPACT SOCKETS - 12 POINT

- › Proto® 12 Point Impact Sockets are ideal for use on stubborn or damaged fasteners, and also on fasteners made from soft materials.
- › TorquePlus™ features apply.
- › Socket size stamped on tool for easy identification.
- › Side locking hole.



METRIC

Product #	Size (mm) (A)	Nut End Outside Dia. (in) (B)	Drive End Outside Dia. (in) (C)	Nut Depth (in) (D)	Bolt Clearance Depth (in) (E)	Overall Length (in) (L)	Weight (lbs)
J7410MT	10	39/64	57/64	1/4	21/32	1-1/2	0.16
J7411MT	11	21/32	15/16	9/32	21/32	1-1/2	0.16
J7412MT	12	11/16	15/16	5/16	21/32	1-1/2	0.18
J7413MT	13	47/64	15/16	11/32	21/32	1-1/2	0.15
J7414MT	14	51/64	15/16	3/8	21/32	1-1/2	0.15
J7415MT	15	27/32	15/16	7/16	21/32	1-1/2	0.16
J7416MT	16	7/8	15/16	7/16	21/32	1-1/2	0.15
J7417MT	17	15/16	15/16	7/16	21/32	1-1/2	0.15
J7418MT	18	1	1	7/16	21/32	1-1/2	0.18
J7419MT	19	1-1/32	1-1/32	27/32	21/32	1-1/2	0.17
J7420MT	20	1-1/8	1-1/16	27/32	21/32	1-1/2	0.18
J7421MT	21	1-3/16	1-1/8	27/32	21/32	1-1/2	0.43
J7422MT	22	1-1/4	1-3/16	27/32	21/32	1-1/2	0.25
J7423MT	23	1-5/16	1-1/4	27/32	21/32	1-1/2	0.30
J7424MT	24	1-13/32	1-5/16	27/32	21/32	1-1/2	0.32
J7430MT	30	1-11/16	1-5/8	1-1/32	1-11/32	2	0.58
J7432MT	32	1-25/32	1-5/8	1-1/32	1-11/32	2	0.64



AS954E S3.8.1

ASME B107.33M



1/2" DRIVE DEEP IMPACT SOCKETS - 12 POINT

- ▶ Proto® 12 Point Impact Sockets are ideal for use on stubborn or damaged fasteners, and also on fasteners made from soft materials.
- ▶ TorquePlus™ features apply.
- ▶ Socket size stamped on tool for easy identification.
- ▶ Side locking hole.

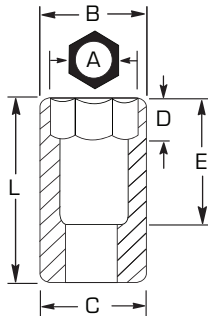


Product #	Size (in) (A)	Nut End Outside Dia. (in) (B)	Drive End Outside Dia. (in) (C)	Nut Depth (in) (D)	Bolt Clearance Depth (in) (E)	Overall Length (in) (L)	Weight (lbs)
J7312	3/8	19/32	15/16	5/16	2-19/32	3-1/4	0.43
J7314	7/16	23/32	15/16	3/8	2-5/8	3-1/4	0.42
J7316	1/2	1-25/32	15/16	7/16	2-5/8	3-1/4	0.45
J7318	9/16	7/8	15/16	1/2	2-5/8	3-1/4	0.40
J7320	5/8	1	1	9/16	2-5/8	3-1/4	0.45
J7322	11/16	1-1/32	1-1/32	5/8	2-5/8	3-1/4	0.45
J7324	3/4	1-7/64	1-1/8	1-5/32	2-5/8	3-1/4	0.47
J7326	13/16	1-3/16	1-3/16	1-5/32	2-5/8	3-1/4	0.56
J7328	7/8	1-19/64	1-19/64	1-13/32	2-7/8	3-1/2	0.68
J7330	15/16	1-3/8	1-3/8	1-13/32	2-7/8	3-1/2	0.82
J7332	1	1-1/2	1-1/2	1-13/32	2-7/8	3-1/2	0.99
J7334	1-1/16	1-1/2	1-1/2	1-17/32	2-7/8	3-1/2	0.94
J7336	1-1/8	1-19/32	1-19/32	1-13/32	2-7/8	3-1/2	1.06
J7338	1-3/16	43/64	43/64	1-13/64	2-7/8	3-1/2	1.17
J7340	1-1/4	1-3/4	1-3/4	1-13/64	2-7/8	3-1/2	1.23
J7342	1-5/16	1-27/32	1-27/32	1-13/64	2-7/8	3-1/2	1.37
J7344	1-3/8	1-29/32	1-29/32	1-13/64	2-7/8	3-1/2	1.54
J7346	1-7/16	2	2	1-13/64	2-7/8	3-1/2	1.62
J7348	1-1/2	2-1/16	2-1/16	1-13/64	2-7/8	3-1/2	1.76



AS954E S3.8.1

ASME B107.2



1/2" DRIVE HIGH STRENGTH MAGNETIC IMPACT SOCKETS - 6 POINT

- ▶ ProtoGrip™ Magnetic Sockets use high-strength magnets made from a rare earth magnet alloy/nylon blend.
- ▶ ProtoGrip™ Magnetic Sockets require no bushings to hold the magnet in place. This allows room for more magnet material, helping increase total magnetic strength.
- ▶ Designed to easily pick up heavy fasteners and hold them tightly during use.
- ▶ Strong magnetic hold helps increase efficiency when installing fasteners in awkward or hard-to-reach locations.
- ▶ Power sockets with high surface hardness are used in high-speed assembly operations. Ideal for nut runners.



Product #	Size (in) (A)	Nut End Outside Dia. (in) (B)	Drive End Outside Dia. (in) (C)	Nut Depth (in) (D)	Overall Length (in) (L)	Weight (lbs)
J7412HF	3/8	47/64	15/16	15/64	1-1/2	0.18
J7414HF	7/16	45/64	15/16	1/4	1-1/2	0.19
J7416HF	1/2	25/32	15/16	17/64	1-1/2	0.19
J7418HF	9/16	7/8	15/16	21/64	1-1/2	0.20
J7420HF	5/8	1	1	25/64	1-1/2	0.23



ASME B107.2

1/2" DRIVE METRIC HIGH STRENGTH MAGNETIC IMPACT SOCKETS - 6 POINT

METRIC

- › ProtoGrip™ Magnetic Sockets use high-strength magnets made from a rare earth magnet alloy/nylon blend.
- › ProtoGrip™ Magnetic Sockets require no bushings to hold the magnet in place. This allows room for more magnet material, helping increase total magnetic strength.
- › Designed to easily pick up heavy fasteners and hold them tightly during use.
- › Strong magnetic hold helps increase efficiency when installing fasteners in awkward or hard-to-reach locations.
- › Power sockets with high surface hardness are used in high-speed assembly operations. Ideal for nut runners.



Product #	Size (mm) (A)	Nut End Outside Dia. (in) (B)	Drive End Outside Dia. (in) (C)	Nut Depth (in) (D)	Overall Length (in) (L)	Weight (lbs)
J7410MHF	10	41/64	15/16	7/32	1-1/2	0.19
J7413MHF	13	51/64	15/16	17/64	1-1/2	0.19
J7414MHF	14	15/16	15/16	9/32	1-1/2	0.20
J7415MHF	15	15/16	15/16	9/32	1-1/2	0.21
J7418MHF	18	1-1/16	1-1/16	13/32	1-1/2	0.27



ASME B107.2

1/2" DRIVE IMPACT HEX BIT SOCKETS

- › Proto® Hex Bit Impact Sockets can be used on stubborn fasteners.
- › Tight tolerances for snug fit on fastener.
- › Hex bit impact sockets are used wherever powered drive tools are used to install or remove fasteners.
- › Hex Bit impact Sockets are designed to withstand the high torque and force associated with impact tools in repetitive application.
- › Side locking hole.

Product #	Size (in) (A)	Bit Length (in)	Overall Length (in)	Weight (lbs)
J74411/4	1/4	1-3/4	3-1/4	0.18
J74415/16	5/16	1-3/4	3-1/4	0.22
J74413/8	3/8	1-3/4	3-1/4	0.24
J74417/16	7/16	1-3/4	3-1/4	0.27
J74411/2	1/2	1-7/8	3-5/8	0.47
J74419/16	9/16	1-7/8	3-5/8	0.49
J74415/8	5/8	2	4	0.84



1/2" DRIVE METRIC IMPACT HEX BIT SOCKETS

METRIC

- › Replaceable bit.
- › Size stamped on tool for easy identification.
- › Side locking hole.

Product #	Size (mm)	Bit Length (in)	Overall Length (in)	Weight (lbs)
J7441-6M	6	1-3/4	3-1/4	0.19
J7441-8M	8	1-3/4	3-1/4	0.21
J7441-10M	10	1-3/4	3-1/4	0.26
J7441-12M	12	1-3/4	3-1/4	0.29
J7441-14M	14	1-7/8	3-5/8	0.49
J7441-17M	17	2	4	0.88

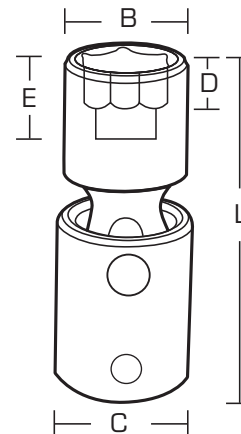
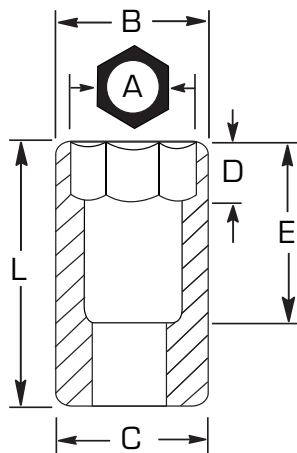


1/2" DRIVE TORX® IMPACT SOCKETS

- › Proto® Torx® Impact Sockets can be used on stubborn Torx® fasteners.
- › Tight tolerances for snug fit on fastener.
- › Torx® Impact Sockets are used wherever power drive tools are used to help install or remove fasteners.
- › Torx® Impact Sockets are designed to withstand the high torque and force associated with impact tools in repetitive applications.
- › Socket size stamped on tool for easy identification.
- › Side locking hole.



Product #	Torx® Size	Nut End		Drive End		Nut Depth (in) (D)	Bolt Clearance Depth (in) (E)	Overall Length (in) (L)	Weight (lbs)
		Outside Dia. (in) (B)	Outside Dia. (in) (C)	Outside Dia. (in) (B)	Outside Dia. (in) (C)				
J7414TX	E14	11/16	7/8	11/16	7/8	7/16	27/32	11/2	0.14
J7416TX	E16	11/16	7/8	11/16	7/8	7/16	27/32	11/2	0.13
J7418TX	E18	27/32	7/8	27/32	7/8	17/32	27/32	11/2	0.14
J7420TX	E20	15/16	15/16	15/16	15/16	19/32	27/32	11/2	0.17





1/2" DRIVE IMPACT UNIVERSAL SOCKETS - 6 POINT

- › Ball and spring design which allows for a 30° working angle.
- › Smooth 360° rotation.
- › Proto® 6 Point Impact Sockets are ideal for use on stubborn or damaged fasteners, and also on fasteners made from soft materials.
- › TorquePlus™ features apply.



Product #	Size (in)	Nut End Outside Dia. (in) (B)	Drive End Outside Dia. (in) (C)	Nut Depth (in) (D)	Bolt Clearance Depth (in) (E)	Overall Length (in) (L)	Weight (lbs)
J74274P	7/16	3/4	1-1/16	1/2	3/4	2-19/32	0.34
J74275P	1/2	3/4	1-1/16	1/2	3/4	2-19/32	0.34
J74276P	9/16	27/32	1-1/16	1/2	3/4	2-19/32	0.36
J74277P	5/8	15/16	1-1/16	1/2	3/4	2-19/32	0.38
J74278P	11/16	1-1/16	1-1/4	1/2	3/4	2-19/32	0.56
J74279P	3/4	1-3/32	1-1/4	1/2	3/4	2-19/32	0.54
J74280P	13/16	1-3/16	1-1/4	1/2	3/4	2-19/32	0.56
J74281P	7/8	1-1/4	1-1/4	1/2	3/4	2-19/32	0.58
J74282P	15/16	1-5/16	1-3/8	1/2	3/4	2-27/32	0.69
J74283P	1	1-11/32	1-3/8	1/2	3/4	2-27/32	1.71
J74284P	1-1/16	1-13/32	1-3/8	9/16	13/16	2-15/16	1.72
J74285P	1-1/8	1-31/64	1-3/8	5/8	7/8	3-1/32	1.80
J74286P	1-3/16	1-9/16	1-3/8	11/16	57/64	3-3/32	1.83
J74287P	1-1/4	1-5/8	1-3/8	3/4	1-1/32	3-3/16	1.86
J74288P	1-15/16	1-45/64	1-3/8	13/16	1	3-9/32	1.86



1/2" DRIVE METRIC UNIVERSAL IMPACT SOCKETS - 6 POINT



Product #	Drive End Outside Dia.		Bolt Clearance Depth		Overall Length (in) (L)	Weight (lbs)
	Size (mm)	(in) (C)	Nut Depth (in) (D)	(in) (E)		
J74413MP	13	1-1/16	1/2	3/4	2-5/8	0.34
J74414MP	14	1-1/16	1/2	3/4	2-5/8	0.39
J74415MP	15	1-1/16	1/2	3/4	2-5/8	0.43
J74416MP	16	1-1/16	1/2	3/4	2-5/8	0.48
J74417MP	17	1-1/4	1/2	3/4	2-5/8	0.53
J74418MP	18	1-1/4	1/2	3/4	2-5/8	0.54
J74419MP	19	1-1/4	1/2	3/4	2-5/8	0.54
J74421MP	21	1-1/4	1/2	3/4	2-5/8	0.54
J74422MP	22	1-1/4	1/2	3/4	2-5/8	0.58
J74424MP	24	1-1/4	1/2	3/4	2-5/8	0.58



1/2" DRIVE DEEP UNIVERSAL IMPACT SOCKETS - 6 POINT



Product #	Drive End Outside Dia.		Bolt Clearance Depth		Overall Length (in) (L)	Weight (lbs)
	Size (in)	(in) (C)	Nut Depth (in) (D)	(in) (E)		
J75275P	1/2	1-1/16	11/16	1-5/8	3-9/16	0.41
J75276P	9/16	1-1/16	11/16	1-5/8	3-9/16	0.43
J75277P	5/8	1-1/16	11/16	1-21/32	3-9/16	0.45
J75278P	11/16	1-1/4	11/16	1-21/32	3-1/2	0.50
J75279P	3/4	1-1/4	11/16	1-39/64	3-1/2	0.55
J75280P	13/16	1-1/4	11/16	1-5/8	3-1/2	0.61
J75281P	7/8	1-1/4	11/16	1-5/8	3-1/2	0.73
J75282P	15/16	1-3/8	11/16	1-43/64	3-23/32	0.80



1/2" DRIVE METRIC DEEP UNIVERSAL IMPACT SOCKETS - 6 POINT



METRIC

Product #	Drive End Outside Dia.		Bolt Clearance Depth		Overall Length (in) (L)	Weight (lbs)
	Size (mm)	(in) (C)	Nut Depth (in) (D)	(in) (E)		
J75413MP	13	1-1/16	11/16	1-5/8	3-1/2	0.43
J75414MP	14	1-1/16	11/16	1-5/8	3-1/2	0.45
J75415MP	15	1-1/16	11/16	1-5/8	3-1/2	0.50
J75416MP	16	1-1/16	11/16	1-5/8	3-1/2	0.55
J75417MP	17	1-1/4	11/16	1-5/8	3-1/2	0.61
J75418MP	18	1-1/4	11/16	1-5/8	3-1/2	0.73
J75419MP	19	1-1/4	11/16	1-5/8	3-1/2	0.80



1/2" DRIVE IMPACT UNIVERSAL JOINT

- ▶ Tight tolerances for snug fit on fastener.
- ▶ Used wherever powered drive tools are used to install or remove fasteners.
- ▶ Designed to withstand the high torque and force associated with impact tools in repetitive application.
- ▶ Features two through holes and a groove to accept a Proto® Retaining Ring or pin and O-ring to help secure the socket to the drive tool anvil.
- ▶ Position at appropriate angle to turn fasteners where obstructions prevent a straight application.
- ▶ Ball and spring design which allows for a 30° working angle.
- ▶ Smooth 360° rotation.

Product #	Overall Length (in) (L)	Weight (lbs)
J74470P	2-19/32	0.57



ASME B107.2



1/2" DRIVE ADAPTERS

- ▶ Use adapters to help increase or decrease drive end size.
- ▶ Do not use hand adapters with power tools.
- ▶ Do not over torque small sockets when using them with adapters on large drive tools.
- ▶ Size stamped on tool for easy identification.
- ▶ Side locking hole.

Product #	Size (in)	Overall Length (in) (L)	Weight (lbs)
J7650	3/8" F x 1/2" M	1-5/16	0.13
J7651	1/2" F x 3/8" M	1-7/16	0.12
J7652	1/2" F x 3/4" M	1-29/32	0.35
J7653	3/4" F x 1/2" M	2-1/16	0.48
J7655	5/8" F x 1/2" M	1-53/64	0.34



ASME B107.2



1/2" DRIVE EXTENSIONS

- › Use extensions to gain access to fasteners in locations that would otherwise be difficult to reach.
- › Male square is oriented in-line with female squares for use with fixed head torque wrenches.
- › Full chamfer at drive opening (when applicable) for easy engagement with drive tools.
- › Drive end chamfer and four detents help provide quick positive engagement with drive tool on any of the socket drive walls.
- › Size stamped on tool for easy identification.
- › Side locking hole.

Product #	Overall Length (in) (L)	Weight (lbs)
J7180P	2	0.19
J7182P	3	0.3
J7181P	5	0.47
J7184P	9	0.89
J7183-00	10	0.89

 ASME B107.2



1/2" DRIVE LOCKING EXTENSIONS

- › Solid one-piece design helps prevent the locking components from becoming loose or disengaged.
- › Patented locking feature locks sockets to the extension with exceptional force.
- › Knurled shank provides a slip-resistant grip when hand-turning the extension.

Product #	Size (in)	Overall Length (in) (L)	Weight (lbs)
J7503	7/8" W x 3" L	3	0.34
J7505	7/8" W x 5" L	5	0.57
J7510	7/8" W x 10" L	10	1.04



1/2" DRIVE RETAINING RINGS

- › Retaining Rings are used to help secure sockets onto drive tools.
- › They are not intended to bear any load.
- › The rotational forces are between the drive tool and the socket.
- › One-piece construction, no loose parts.



Product #	Description	For Groove Dia (in)	Diameter (in)	Height (in)	Weight (lbs)
JRR50080	Retaining Ring, 1/2" DR 800 GRV	51/64	15/16	1/8	0.01
JRR50087	Retaining Ring, 1/2" DR 870 GRV	7/8	1	1/8	0.01
JRR50095	Retaining Ring, 1/2" DR 950 GRV	61/64	1-1/16	1/8	0.01
JRR50105	Retaining Ring, 1/2" DR 1050 GRV	1-1/16	1-3/16	1/8	0.01
JRR50115	Retaining Ring, 1/2" DR 1150 GRV	1-5/32	1-1/4	1/8	0.01
JRR50130	Retaining Ring, 1/2" DR 1300 GRV	1-5/16	1-7/16	1/8	0.01
JRR50145	Retaining Ring, 1/2" DR 1450 GRV	1-7/16	1-9/16	1/8	0.01
JRR50160	Retaining Ring, 1/2" DR 1600 GRV	1-19/32	1-3/4	1/8	0.01



3/4" DRIVE 21 PIECE METRIC IMPACT SOCKET SET - 6 POINT

METRIC

Product #: J72103M



- ▶ Proto® 6 Point Impact Sockets are ideal for use on stubborn or damaged fasteners, and also on fasteners made from soft materials.
- ▶ The TorquePlus™ features apply.
- ▶ Stamped size for easy reference.
- ▶ Side locking hole.
- ▶ Weight (lbs): 14.91



Contents	Description	ASME Spec.
J07519M	Socket, Impact 3/4" DR 19 mm 6 PT	ASME B107.33M
J07520M	Socket, Impact 3/4" DR 20 mm 6 PT	ASME B107.33M
J07521M	Socket, Impact 3/4" DR 21 mm 6 PT	ASME B107.33M
J07522M	Socket, Impact 3/4" DR 22 mm 6 PT	ASME B107.33M
J07523M	Socket, Impact 3/4" DR 23 mm 6 PT	ASME B107.33M
J07524M	Socket, Impact 3/4" DR 24 mm 6 PT	ASME B107.33M
J07525M	Socket, Impact 3/4" DR 25 mm 6 PT	ASME B107.33M
J07526M	Socket, Impact 3/4" DR 26 mm 6 PT	ASME B107.33M
J07527M	Socket, Impact 3/4" DR 27 mm 6 PT	ASME B107.33M
J07528M	Socket, Impact 3/4" DR 28 mm 6 PT	ASME B107.33M
J07529M	Socket, Impact 3/4" DR 29 mm 6 PT	ASME B107.33M
J07530M	Socket, Impact 3/4" DR 30 mm 6 PT	ASME B107.33M
J07531M	Socket, Impact 3/4" DR 31 mm 6 PT	ASME B107.33M
J07532M	Socket, Impact 3/4" DR 32 mm 6 PT	ASME B107.33M
J07533M	Socket, Impact 3/4" DR 33 mm 6 PT	ASME B107.33M
J07534M	Socket, Impact 3/4" DR 34 mm 6 PT	ASME B107.33M
J07535M	Socket, Impact 3/4" DR 35 mm 6 PT	ASME B107.33M
J07536M	Socket, Impact 3/4" DR 36 mm 6 PT	ASME B107.33M
J07538M	Socket, Impact 3/4" DR 38 mm 6 PT	ASME B107.33M
J07540M	Socket, Impact 3/4" DR 40 mm 6 PT	ASME B107.33M
J07541M	Socket, Impact 3/4" DR 41 mm 6 PT	ASME B107.33M
J2587	Socket, Bar 17"	
J2594	Socket, Clip 3/4" DR	



3/4" DRIVE 15 PIECE IMPACT SOCKET SET - 6 POINT

Product #: J73105



- › Proto® 6 Point Impact Sockets are ideal for use on stubborn or damaged fasteners, and also on fasteners made from soft materials.
- › The TorquePlus™ features apply.
- › Stamped size for easy reference.
- › Side locking hole.
- › Weight (lbs): 10.65

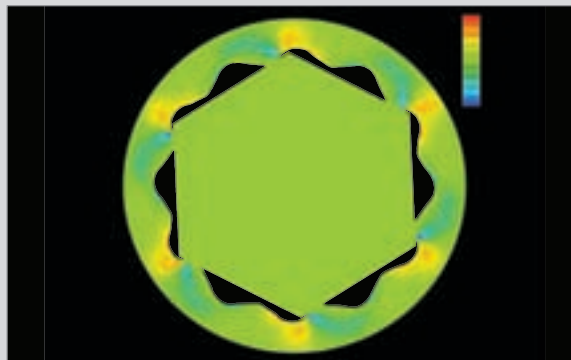


Contents	Description	ASME Spec.
J07512	Socket, Impact 3/4" DR 3/4" 6 PT	ASME B107.2
J07513	Socket, Impact 3/4" DR 13/16" 6 PT	ASME B107.2
J07514	Socket, Impact 3/4" DR 7/8" 6 PT	ASME B107.2
J07515	Socket, Impact 3/4" DR 15/16" 6 PT	ASME B107.2
J07516	Socket, Impact 3/4" DR 1" 6 PT	ASME B107.2
J07517	Socket, Impact 3/4" DR 1-1/16" 6 PT	ASME B107.2
J07518	Socket, Impact 3/4" DR 1-1/8" 6 PT	ASME B107.2
J07519	Socket, Impact 3/4" DR 1-3/16" 6 PT	ASME B107.2
J07520	Socket, Impact 3/4" DR 1-1/4" 6 PT	ASME B107.2
J07521	Socket, Impact 3/4" DR 1-5/16" 6 PT	ASME B107.2
J07522	Socket, Impact 3/4" DR 1-3/8" 6 PT	ASME B107.2
J07523	Socket, Impact 3/4" DR 1-7/16" 6 PT	ASME B107.2
J07524	Socket, Impact 3/4" DR 1-1/2" 6 PT	ASME B107.2
J07525	Socket, Impact 3/4" DR 1-9/16" 6 PT	ASME B107.2
J07526	Socket, Impact 3/4" DR 1-5/8" 6 PT	ASME B107.2
J2587	Socket, Bar 17"	
J2594	Socket, Clip 3/4" DR	

PRODUCT FEATURES AND BENEFITS —



- › High performance drive configuration allows for quick and easy socket engagement to the fastener flats, not the corners.
- › Employs a radius-corner design, shifting contact area and stress away from the fastener corners and distributing contact stresses over a large area of the socket, minimizing slippage.
- › The internal design minimizes fastener rounding, helps to extend fastener life, and allows the user to more easily turn worn, rounded, or rusted fasteners.



3/4" DRIVE 10 PIECE IMPACT SOCKET SET - 6 POINT

Product #: **J07500-10**



- ▶ Proto® 6 Point Impact Sockets are ideal for use on stubborn or damaged fasteners, and also on fasteners made from soft materials.
- ▶ The TorquePlus™ features apply.
- ▶ Stamped size for easy reference.
- ▶ Side locking hole.
- ▶ Weight (lbs): 7.10



Contents	Description	ASME Spec.
J07512	Socket, Impact 3/4" DR 3/4" 6 PT	ASME B107.2
J07513	Socket, Impact 3/4" DR 13/16" 6 PT	ASME B107.2
J07514	Socket, Impact 3/4" DR 7/8" 6 PT	ASME B107.2
J07515	Socket, Impact 3/4" DR 15/16" 6 PT	ASME B107.2
J07516	Socket, Impact 3/4" DR 1" 6 PT	ASME B107.2
J07517	Socket, Impact 3/4" DR 1-1/16" 6 PT	ASME B107.2
J07518	Socket, Impact 3/4" DR 1-1/8" 6 PT	ASME B107.2
J07519	Socket, Impact 3/4" DR 1-3/16" 6 PT	ASME B107.2
J07520	Socket, Impact 3/4" DR 1-1/4" 6 PT	ASME B107.2
J07521	Socket, Impact 3/4" DR 1-5/16" 6 PT	ASME B107.2

3/4" DRIVE 5 PIECE IMPACT HEX BIT SET

Product #: **J07595**



- ▶ Stamped size for easy reference.
- ▶ Side locking hole.
- ▶ Weight (lbs): 0.33

Contents	Description
J075909/16	Socket, Impact 3/4" DR Hex Bit 9/16"
J075905/8	Socket, Impact 3/4" DR Hex Bit 5/8"
J075903/4	Socket, Impact 3/4" DR Hex Bit 3/4"
J075907/8	Socket, Impact 3/4" DR Hex Bit 7/8"
J075901	Socket, Impact 3/4" DR Hex Bit 1"
J2576	Socket, Bar 3/4" Drive 9" - 5 Clips



3/4" DRIVE IMPACT SOCKETS - 4 POINT

- ▶ Drive end chamfer and four detents help provide quick positive engagement with drive tool on any of the socket drive walls.
- ▶ Tight tolerances for snug fit on fastener.
- ▶ Large clearance holes, concentric opening and nut end chamfer make it easy to position socket on fasteners.
- ▶ Made from high-strength steel to help minimize wall thickness and provide access to fasteners in recesses and where nuts and bolts protrude.
- ▶ Impact sockets are used where ever powered drive tools are used to install or remove fasteners.
- ▶ Impact sockets are designed to withstand the high torque and force associated with impact tools in repetitive application.
- ▶ Features two through holes and a groove to accept a Proto® Retaining Ring or pin and O-ring to help secure the socket to the drive tool anvil.
- ▶ Stamped size for easy reference.
- ▶ Side locking hole.



Product #	Nut End		Drive End	Nut	Bolt Clearance	Overall Length	Weight (lbs)
	Size (in) (A)	Outside Dia. (in) (B)	Outside Dia. (in) (C)	Depth (in) (D)	Depth (in) (E)	(in) (L)	
J07510SS	5/8	1-1/4	1-5/8	25/64	15/16	2	0.70
J07511SS	11/16	1-11/32	1-5/8	7/16	15/16	1-7/8	0.75
J07513SS	13/16	1-5/8	1-5/8	33/64	1-1/16	2	0.82



ASME B107.2

3/4" DRIVE DEEP IMPACT SOCKET - 4 POINT

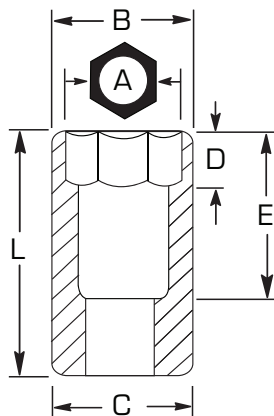
- ▶ Drive end chamfer and four detents help provide quick positive engagement with drive tool on any of the socket drive walls.
- ▶ Tight tolerances for snug fit on fastener.
- ▶ Large clearance holes, concentric opening and nut end chamfer make it easy to position socket on fasteners.
- ▶ Made from high-strength steel to help minimize wall thickness and provide access to fasteners in recesses and where nuts and bolts protrude.
- ▶ Impact sockets are used wherever powered drive tools are used to install or remove fasteners.
- ▶ Impact sockets are designed to withstand the high torque and force associated with impact tools in repetitive application.



Product #	Nut End		Drive End	Nut	Bolt Clearance	Overall Length	Weight (lbs)
	Size (in) (A)	Outside Dia. (in) (B)	Outside Dia. (in) (C)	Depth (in) (D)	Depth (in) (E)	(in) (L)	
J07513SL	13/16	1-5/8	1-5/8	43/64	3-1/16	4	1.75



ASME B107.2



3/4" DRIVE IMPACT SOCKETS - 6 POINT

- › Proto® 6 Point Impact Sockets are ideal for use on stubborn or damaged fasteners, and also on fasteners made from soft materials.
- › TorquePlus™ features apply.
- › Stamped size for easy reference.
- › Side locking hole.



Product #	Size (in) (A)	Nut End Outside Dia. (in) (B)	Drive End Outside Dia. (in) (C)	Nut Depth (in) (D)	Bolt Clearance Depth (in) (E)	Overall Length (in) (L)	Weight (lbs)	Crush Retaining Ring	O-Ring	Retaining Pin
J07509	9/16	1	1-5/8	23/64	15/16	1-7/8	0.72	JRR07523	J07500R	J07500P
J07510	5/8	1-3/32	1-5/8	25/64	15/16	1-7/8	0.69	JRR07523	J07500R	J07500P
J07511	11/16	1-5/32	1-5/8	7/16	1	1-15/16	0.72	JRR07523	J07500R	J07500P
J07512	3/4	1-15/64	1-5/8	15/32	1	1-15/16	0.70	JRR07523	J07500R	J07500P
J07513	13/16	1-5/16	1-5/8	1/2	1	1-15/16	0.67	JRR07523	J07500R	J07500P
J07514	7/8	1-1/2	1-5/8	35/64	1-1/16	2	0.73	JRR07523	J07500R	J07500P
J07515	15/16	1-5/8	1-5/8	37/64	1-1/16	2	0.78	JRR07523	J07500R	J07500P
J07516	1	1-5/8	1-5/8	5/8	1-1/8	2-1/16	0.73	JRR07523	J07500R	J07500P
J07517	1-1/16	1-5/8	1-5/8	21/32	1-1/8	2-1/16	0.81	JRR07523	J07500R	J07500P
J07518	1-1/8	1-3/4	1-3/4	45/64	1-1/4	2-3/16	0.91	JRR07526	J07500R	J07500P
J07519	1-3/16	1-7/8	1-3/4	47/64	1-1/4	2-3/16	1.02	JRR07526	J07500R	J07500P
J07520	1-1/4	2	1-3/4	3/4	1-1/4	2-3/16	1.10	JRR07526	J07500R	J07500P
J07521	1-5/16	2-1/8	1-3/4	27/32	1-1/4	2-3/16	1.19	JRR07526	J07500R	J07500P
J07522	1-3/8	2-1/8	1-3/4	13/16	1-3/16	2-1/4	1.18	JRR07526	J07500R	J07500P
J07523	1-7/16	2-1/4	1-3/4	7/8	1-3/8	2-5/16	1.29	JRR07526	J07500R	J07500P
J07524	1-1/2	2-3/8	1-3/4	1	1-7/16	2-3/8	1.43	JRR07526	J07500R	J07500P
J07525	1-9/16	2-3/8	1-3/4	1	1-1/2	2-7/16	1.57	JRR07526	J07500R	J07500P
J07526	1-5/8	2-3/8	1-3/4	1	1-1/2	2-7/16	1.60	JRR07526	J07500R	J07500P
J07527	1-11/16	2-39/64	1-3/4	1-1/8	1-11/16	2-5/8	1.78	JRR07526	J07500R	J07500P
J07528	1-3/4	2-39/64	1-3/4	1-1/8	1-11/16	2-5/8	1.83	JRR07526	J07500R	J07500P
J07529	1-13/16	2-3/4	1-3/4	1-1/8	1-11/16	2-5/8	1.92	JRR07526	J07500R	J07500P
J07530	1-7/8	2-3/4	1-3/4	1-1/4	1-7/8	2-13/16	2.19	JRR07526	J07500R	J07500P
J07531	1-15/16	2-7/8	1-3/4	1-1/4	1-7/8	2-13/16	2.28	JRR07526	J07500R	J07500P
J07532	2	3	1-3/4	1-1/4	1-7/8	2-13/16	2.30	JRR07526	J07500R	J07500P
J07533	2-1/16	3	1-3/4	1-3/8	2-5/32	3-3/32	2.66	JRR07526	J07500R	J07500P
J07534	2-1/8	3-1/8	1-3/4	1-3/8	2-5/32	3-3/32	2.79	JRR07526	J07500R	J07500P
J07535	2-3/16	3-1/4	1-3/4	1-3/8	2-3/16	3-1/8	3.25	JRR07526	J07500R	J07500P
J07536	2-1/4	3-5/16	1-3/4	1-1/2	2-5/16	3-1/4	3.17	JRR07526	J07500R	J07500P
J07537	2-5/16	3-9/32	1-3/4	1-1/2	1-15/16	3-5/16	3.21	JRR07526	J07500R	J07500P
J07538	2-3/8	3-1/2	1-3/4	1-1/2	2-7/16	3-3/8	3.45	JRR07526	J07500R	J07500P



ASME B107.2



3/4" DRIVE METRIC IMPACT SOCKETS - 6 POINT

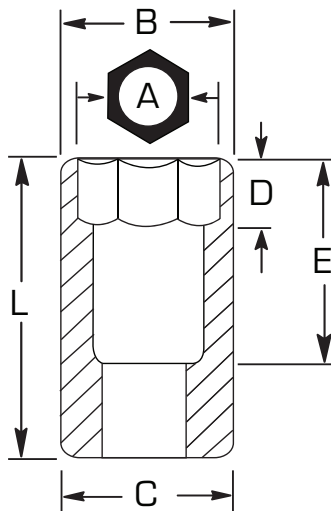


- › Proto® 6 Point Impact Sockets are ideal for use on stubborn or damaged fasteners, and also on fasteners made from soft materials.
- › TorquePlus™ features apply.
- › Stamped size for easy reference.
- › Side locking hole.



Product #	Size (mm) (A)	Nut End Outside Dia. (in) (B)	Drive End Outside Dia. (in) (C)	Nut Depth (in) (D)	Bolt Clearance Depth (in) (E)	Overall Length (in) (L)	Weight (lbs)	Crush Retaining Ring	O-Ring	Retaining Pin
J07517M	17	1-5/32	1-5/8	27/64	63/64	1-59/64	0.68	JRR07523	J07500R	J07500P
J07519M	19	1-13/64	1-5/8	15/32	63/64	1-59/64	0.70	JRR07523	J07500R	J07500P
J07520M	20	1-19/64	1-5/8	9/16	63/64	1-59/64	0.70	JRR07523	J07500R	J07500P
J07521M	21	1-23/64	1-5/8	5/8	59/64	1-59/64	0.70	JRR07523	J07500R	J07500P
J07522M	22	1-27/64	1-5/8	11/16	1-1/16	2	0.79	JRR07523	J07500R	J07500P
J07523M	23	1-5/8	1-5/8	11/16	1-1/16	2	0.80	JRR07523	J07500R	J07500P
J07524M	24	1-5/8	1-5/8	19/32	1-1/16	2	0.73	JRR07523	J07500R	J07500P
J07525M	25	1-5/8	1-5/8	11/16	1-1/16	2	0.76	JRR07523	J07500R	J07500P
J07526M	26	1-5/8	1-5/8	3/4	1-1/8	2-1/16	0.77	JRR07523	J07500R	J07500P
J07527M	27	1-5/8	1-5/8	13/16	1-1/8	2-1/16	0.74	JRR07523	J07500R	J07500P
J07528M	28	1-5/8	1-5/8	45/64	1-1/8	2-1/16	0.72	JRR07523	J07500R	J07500P
J07529M	29	45.4	45.4	19.7	28.5	2-3/16	1.01	JRR07523	J07500R	J07500P
J07530M	30	1-7/8	1-3/4	59/64	1-7/32	2-3/16	1.01	JRR07526	J07500R	J07500P
J07531M	31	1-7/8	1-3/4	7/8	1-1/8	2-3/16	0.99	JRR07526	J07500R	J07500P
J07532M	32	2	1-3/4	7/8	1-9/64	2-3/16	1.13	JRR07526	J07500R	J07500P
J07533M	33	2	1-3/4	7/8	1-3/16	2-3/16	1.08	JRR07526	J07500R	J07500P
J07534M	34	2-1/8	1-3/4	15/16	1-3/16	2-1/4	1.18	JRR07526	J07500R	J07500P
J07535M	35	2-1/8	1-3/4	15/16	1-5/16	2-1/4	1.18	JRR07526	J07500R	J07500P
J07536M	36	2-1/4	1-3/4	15/16	1-9/32	2-5/16	1.32	JRR07526	J07500R	J07500P
J07538M	38	2-3/8	1-3/4	1	1-21/64	2-3/8	1.56	JRR07526	J07500R	J07500P
J07540M	40	2-1/2	1-3/4	1-1/32	1-17/64	2-1/2	1.64	JRR07526	J07500R	J07500P
J07541M	41	2-1/2	1-3/4	1-1/16	1-31/64	2-5/8	1.76	JRR07526	J07500R	J07500P
J07542M	42	2-1/2	1-3/4	1-1/8	1-45/64	2-3/4	1.87	JRR07526	J07500R	J07500P
J07543M	43	2-9/16	1-3/4	1-1/8	1-45/64	2-3/4	1.93	JRR07526	J07500R	J07500P
J07546M	46	2-3/4	1-3/4	1-1/4	1-45/64	2-7/8	2.10	JRR07526	J07500R	J07500P
J07550M	50	2-15/16	1-3/4	1-1/4	1-49/64	3-1/8	2.44	JRR07526	J07500R	J07500P

ASME B107.33M



3/4" DRIVE DEEP IMPACT SOCKETS - 6 POINT

- ▶ Proto® 6 Point Impact Sockets are ideal for use on stubborn or damaged fasteners, and also on fasteners made from soft materials.
- ▶ TorquePlus™ features apply.
- ▶ Stamped size for easy reference.
- ▶ Side locking hole.



Product #	Size (in) (A)	Nut End Outside Dia. (in) (B)	Drive End Outside Dia. (in) (C)	Nut Depth (in) (D)	Bolt Clearance Depth (in) (E)	Overall Length (in) (L)	Weight (lbs)
J07509L	9/16	1	1-5/8	15/32	2-5/16	3-1/4	1.34
J07510L	5/8	1-3/32	1-5/8	33/64	2-5/16	3-1/4	1.28
J07511L	11/16	1-5/32	1-5/8	9/16	2-5/16	3-1/4	1.34
J07512L	3/4	1-1/4	1-5/8	39/64	2-5/16	3-1/4	1.35
J07513L	13/16	1-5/16	1-5/8	43/64	2-5/16	3-1/4	1.18
J07514L	7/8	1-1/2	1-5/8	23/32	2-5/16	3-1/4	1.23
J07515L	15/16	1-5/8	1-5/8	25/32	2-5/16	3-1/4	1.20
J07516L	1	1-5/8	1-5/8	53/64	2-5/16	3-1/4	1.11
J07517L	1-1/16	1-5/8	1-5/8	7/8	2-5/16	3-1/4	1.20
J07518L	1-1/8	1-3/4	1-3/4	59/64	2-5/16	3-1/4	1.29
J07519L	1-3/16	1-7/8	1-3/4	31/32	2-5/16	3-1/4	1.54
J07520L	1-1/4	2	1-3/4	1	2-5/16	3-1/4	1.89
J07521L	1-5/16	2-1/8	1-3/4	1	2-5/16	3-1/4	1.88
J07522L	1-3/8	2-1/8	1-3/4	1	2-5/16	3-1/4	1.79
J07523L	1-7/16	2-1/4	1-3/4	1-1/16	2-7/16	3-1/2	2.00
J07524L	1-1/2	2-3/8	1-3/4	1-1/16	2-7/16	3-1/2	2.25
J07525L	1-9/16	2-3/8	1-3/4	1	2-3/8	3-13/16	2.43
J07526L	1-5/8	2-3/8	1-3/4	2-1/4	2-5/8	3-13/16	2.57
J07527L	1-11/16	2-39/64	1-3/4	2-1/4	2-5/8	3-7/8	2.69
J07528L	1-3/4	2-39/64	1-3/4	2-1/4	2-5/8	3-7/8	2.84
J07529L	1-13/16	2-3/4	1-3/4	2-1/4	2-5/8	3-7/8	3.09
J07530L	1-7/8	2-3/4	1-3/4	2-3/8	3-3/4	4-1/16	3.19
J07532L	2	3	1-3/4	1-1/2	2-3/4	4-1/16	3.45



ASME B107.2

3/4" DRIVE METRIC DEEP IMPACT SOCKETS - 6 POINT

- ▶ Proto® 6 Point Impact Sockets are ideal for use on stubborn or damaged fasteners, and also on fasteners made from soft materials.
- ▶ TorquePlus™ features apply.
- ▶ Stamped size for easy reference.
- ▶ Side locking hole.



Product #	Size (mm) (A)	Nut End Outside Dia. (in) (B)	Drive End Outside Dia. (in) (C)	Nut Depth (in) (D)	Bolt Clearance Depth (in) (E)	Overall Length (in) (L)	Weight (lbs)	Crush Retaining Ring	O-Ring	Retaining Pin
J07519ML	19	1-7/32	1-5/8	5/8	2-1/4	3-1/4	1.32	JRR07523	J07500R	J07500P
J07521ML	21	1-3/8	1-5/8	51/64	2-1/4	3-1/4	1.30	JRR07523	J07500R	J07500P
J07522ML	22	1-7/16	1-5/8	13/16	2-1/4	3-1/4	1.20	JRR07523	J07500R	J07500P
J07523ML	23	1-5/8	1-5/8	3/4	2-1/4	3-1/4	1.28	JRR07523	J07500R	J07500P
J07524ML	24	1-5/8	1-5/8	13/16	2-1/4	3-1/4	1.31	JRR07523	J07500R	J07500P
J07526ML	26	1-5/8	1-5/8	27/32	2-1/4	3-1/4	1.20	JRR07523	J07500R	J07500P
J07527ML	27	1-5/8	1-5/8	7/8	2-1/4	3-1/4	1.14	JRR07523	J07500R	J07500P
J07530ML	30	1-7/8	1-3/4	31/32	2-9/32	3-1/4	1.45	JRR07526	J07500R	J07500P
J07532ML	32	2	1-3/4	1	2-9/32	3-1/4	1.63	JRR07526	J07500R	J07500P
J07533ML	33	2	1-3/4	1	2-9/32	3-1/4	1.55	JRR07526	J07500R	J07500P
J07535ML	35	2-1/8	1-3/4	1	2-9/32	3-1/4	1.89	JRR07526	J07500R	J07500P
J07536ML	36	2-1/4	1-3/4	1	2-9/32	3-1/4	1.91	JRR07526	J07500R	J07500P
J07538ML	38	2-3/8	1-3/4	1-1/16	2-29/64	3-1/2	2.10	JRR07526	J07500R	J07500P
J07541ML	41	2-1/2	1-3/4	1-1/16	2-29/64	3-1/2	2.36	JRR07526	J07500R	J07500P
J07543ML	43	2-9/16	1-3/4	1-1/8	2-29/64	3-1/2	2.52	JRR07526	J07500R	J07500P



ASME B107.33M



3/4" DRIVE DEEP THIN WALL IMPACT SOCKETS - 6 POINT

- ▶ Proto® 6 Point Impact Sockets are ideal for use on stubborn or damaged fasteners, and also on fasteners made from soft materials.
- ▶ TorquePlus™ features apply.
- ▶ Stamped size for easy reference.
- ▶ Side locking hole.



Product #	Size (in) (A)	Nut End Outside Dia. (in) (B)	Drive End Outside Dia. (in) (C)	Nut Depth (in) (D)	Bolt Clearance Depth (in) (E)	Overall Length (in) (L)	Weight (lbs)	Crush Retaining Ring	O-Ring	Retaining Pin
J07512-LT	3/4	1-3/8	1-3/8	39/64	3-1/16	4	1.04	JRR07523	J07500R	J07500P
J07513-LT	13/16	1-3/8	1-3/8	21/32	3-1/16	4	1.02	JRR07523	J07500R	J07500P
J07514-LT	7/8	1-3/8	1-3/8	23/32	3-1/16	4	1.01	JRR07523	J07500R	J07500P
J07515-LT	15/16	1-3/8	1-3/8	49/64	3-1/16	4	0.80	JRR07523	J07500R	J07500P
J07516-LT	1	1-7/16	1-7/16	53/64	3-1/16	4	1.06	JRR07523	J07500R	J07500P
J07517-LT	1-1/16	1-1/2	1-1/2	7/8	3-1/16	4	0.96	JRR07523	J07500R	J07500P
J07518-LT	1-1/8	1-5/8	1-5/8	59/64	3-1/16	4	1.19	JRR07526	J07500R	J07500P
J07519-LT	1-3/16	1-11/16	1-11/16	31/32	3-1/16	4	1.24	JRR07526	J07500R	J07500P
J07520-LT	1-1/4	1-3/4	1-3/4	1	3-1/16	4	1.33	JRR07526	J07500R	J07500P
J07521-LT	1-5/16	1-7/8	1-3/4	1-1/8	2-5/16	3-1/4	1.28	JRR07526	J07500R	J07500P
J07522-LT	1-3/8	1-15/16	1-3/4	1-1/8	2-5/16	3-1/4	1.32	JRR07526	J07500R	J07500P
J07523-LT	1-7/16	2	1-3/4	1-1/8	2-9/16	3-1/2	1.42	JRR07526	J07500R	J07500P
J07524-LT	1-1/2	2-1/8	1-3/4	1-1/4	2-9/16	3-1/2	1.86	JRR07526	J07500R	J07500P



ASME B107.2

3/4" DRIVE IMPACT SOCKETS - 8 POINT

- ▶ Proto® 8 Point Impact Sockets are ideal for use on stubborn or damaged fasteners, and also on fasteners made from soft materials.
- ▶ TorquePlus™ features apply.
- ▶ Drive end chamfer and four detents help provide quick positive engagement with drive tool on any of the socket drive walls.
- ▶ Tight tolerances for snug fit on fastener.
- ▶ Large clearance holes, concentric opening and nut end chamfer make it easy to position socket on fasteners.
- ▶ Made from high-strength steel to help minimize wall thickness and provide access to fasteners in recesses and where nuts and bolts protrude.
- ▶ Impact sockets are designed to withstand higher torque and force associated with impact tools in repetitive application.
- ▶ Features two through holes and a groove to accept a Proto® Retaining Ring or pin and O-ring to help secure the socket to the drive tool anvil.
- ▶ Stamped size for easy reference.
- ▶ Side locking hole.



Product #	Size (in) (A)	Nut End Outside Dia. (in) (B)	Drive End Outside Dia. (in) (C)	Nut Depth (in) (D)	Bolt Clearance Depth (in) (E)	Overall Length (in) (L)	Weight (lbs)	Crush Retaining Ring	O-Ring	Retaining Pin
J07512S	3/4	1-5/8	1-5/8	15/37	31/32	1-15/16	0.81	JRR07523	J07500R	J07500P
J07513S	13/16	1-5/8	1-5/8	1/2	1-1/32	2	0.82	JRR07523	J07500R	J07500P
J07514S	7/8	1-3/4	1-3/4	35/64	1-1/32	2	0.97	JRR07523	J07500R	J07500P
J07515S	15/16	1-13/16	1-3/4	19/32	1-3/32	2-1/16	1.07	JRR07523	J07500R	J07500P
J07516S	1	2	1-3/4	5/8	1-5/32	2-1/8	1.23	JRR07523	J07500R	J07500P
J07517S	1-1/16	2-1/8	1-3/4	21/32	1-7/32	2-3/16	1.28	JRR07523	J07500R	J07500P
J07518S	1-1/8	2-1/4	1-3/4	45/64	1-15/64	2-1/4	1.42	JRR07526	J07500R	J07500P
J07519S	1-3/16	2-3/8	1-3/4	3/4	1-11/32	2-5/16	1.55	JRR07526	J07500R	J07500P
J07520S	1-1/4	2-3/8	1-3/4	3/4	1-13/32	2-3/8	1.57	JRR07526	J07500R	J07500P
J07521S	1-5/16	2-1/2	1-3/4	7/8	1-13/32	2-3/8	1.75	JRR07526	J07500R	J07500P



ASME B107.2



3/4" DRIVE IMPACT SOCKETS - 12 POINT

- ▶ Proto® 12 Point Impact Sockets are ideal for use on stubborn or damaged fasteners, and also on fasteners made from soft materials.
- ▶ TorquePlus™ features apply.
- ▶ Stamped size for easy reference.
- ▶ Side locking hole.

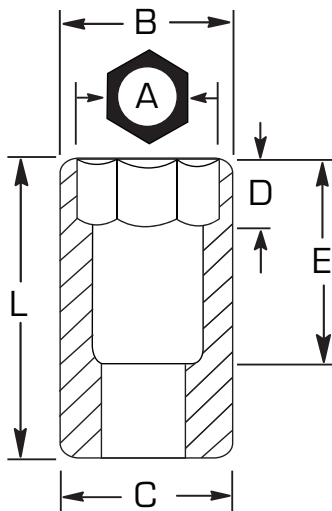


Product #	Size (in) (A)	Nut End Outside Dia. (in) (B)	Drive End Outside Dia. (in) (C)	Nut Depth (in) (D)	Bolt Clearance Depth (in) (E)	Overall Length (in) (L)	Weight (lbs)	Crush Retaining Ring	O-Ring	Retaining Pin
J07509T	9/16	1	1-5/8	23/64	17/32	1-7/8	0.70	JRR07523	J07500R	J07500P
J07510T	5/8	1-3/32	1-5/8	25/64	9/16	1-7/8	0.70	JRR07523	J07500R	J07500P
J07511T	11/16	1-5/32	1-5/8	7/16	5/8	1-15/16	0.75	JRR07523	J07500R	J07500P
J07512T	3/4	1-1/4	1-5/8	15/32	11/16	1-15/16	0.75	JRR07523	J07500R	J07500P
J07513T	13/16	1-5/16	1-5/8	1/2	3/4	1-15/16	0.78	JRR07523	J07500R	J07500P
J07514T	7/8	1-1/2	1-5/8	9/16	13/16	2	0.79	JRR07523	J07500R	J07500P
J07515T	15/16	1-5/8	1-5/8	37/64	7/8	2	0.76	JRR07523	J07500R	J07500P
J07516T	1	1-5/8	1-5/8	5/8	15/16	2	0.76	JRR07523	J07500R	J07500P
J07517T	1-1/16	1-5/8	1-5/8	21/32	1	2-1/16	0.80	JRR07523	J07500R	J07500P
J07518T	1-1/8	1-3/4	1-3/4	29/32	29/32	2-3/16	0.88	JRR07526	J07500R	J07500P
J07519T	1-3/16	1-7/8	1-3/4	63/64	1-3/32	2-3/16	1.01	JRR07526	J07500R	J07500P
J07520T	1-1/4	2	1-3/4	1	1-1/8	2-3/16	1.11	JRR07526	J07500R	J07500P
J07521T	1-5/16	2-1/8	1-3/4	17/64	1-3/32	2-3/16	1.18	JRR07526	J07500R	J07500P
J07522T	1-3/8	2-1/8	1-3/4	1-1/8	1-1/8	2-1/4	1.21	JRR07526	J07500R	J07500P
J07523T	1-7/16	2-1/4	1-3/4	1-1/8	1-1/8	2-5/16	1.34	JRR07526	J07500R	J07500P
J07524T	1-1/2	2-3/8	1-3/4	1-3/16	1-3/16	2-3/8	1.35	JRR07526	J07500R	J07500P
J07525T	1-9/16	2-3/8	1-3/4	1-1/4	1-1/4	2-7/16	1.52	JRR07526	J07500R	J07500P
J07526T	1-5/8	2-3/8	1-3/4	11/4	1-1/4	2-7/16	1.47	JRR07526	J07500R	J07500P
J07527T	1-11/16	2-39/64	1-3/4	1-13/32	1-13/32	2-5/8	1.65	JRR07526	J07500R	J07500P
J07528T	1-3/4	2-39/64	1-3/4	1-13/32	1-13/32	2-5/8	1.80	JRR07526	J07500R	J07500P
J07529T	1-13/16	2-3/4	1-3/4	1-13/32	1-13/32	2-5/8	2.01	JRR07526	J07500R	J07500P
J07530T	1-7/8	2-3/4	1-3/4	1-1/2	1-1/2	2-13/16	2.02	JRR07526	J07500R	J07500P
J07531T	1-15/16	2-7/8	1-3/4	1-1/2	1-1/2	2-13/16	2.23	JRR07526	J07500R	J07500P
J07532T	2	3	1-3/4	1-1/2	1-1/2	2-13/16	2.33	JRR07526	J07500R	J07500P
J07533T	2-1/16	3	1-3/4	1-9/16	1-9/16	3-3/32	2.73	JRR07526	J07500R	J07500P
J07534T	2-1/8	3-1/8	1-3/4	1-9/16	1-9/16	3-3/32	2.96	JRR07526	J07500R	J07500P
J07535T	2-3/16	3-1/4	1-3/4	1-9/16	1-9/16	3-1/8	2.87	JRR07526	J07500R	J07500P
J07536T	2-1/4	3-1/4	1-3/4	1-21/32	1-21/32	3-1/4	3.13	JRR07526	J07500R	J07500P
J07538T	2-3/8	3-1/2	1-3/4	1-3/4	1-3/4	3-3/8	4.11	JRR07526	J07500R	J07500P



AS954E S3.8.1

ASME B107.2



3/4" DRIVE IMPACT HEX BIT SOCKETS

- › Stamped size for easy reference.
- › Side locking hole.



Product #	Size (in)	Bit Length (in)	Overall Length (in)	Weight (lbs)	Repair Kit
J075909/16	9/16	1-3/8	3-3/4	0.96	J075909/16RK
J075905/8	5/8	1-15/32	3-27/32	1.11	J075905/8RK
J075903/4	3/4	1-7/8	4-3/8	1.75	J075903/4RK
J075907/8	7/8	2-7/32	4-3/4	2.09	J075907/8RK
J075901	1	2-33/64	5-13/64	2.59	J05901RK



3/4" DRIVE HEX BIT REPAIR KITS

Product #	Size (in)	Weight (lbs)	Hex Bit
J075909/16RK	9/16	0.18	J075909/16
J075905/8RK	5/8	0.21	J075905/8
J075903/4RK	3/4	0.41	J075903/4
J075907/8RK	7/8	0.62	J075907/8
J075901RK	1	0.94	J075901



3/4" DRIVE IMPACT UNIVERSAL JOINT

- › Tight tolerances for snug fit on fastener.
- › Used wherever powered drive tools are used to install or remove fasteners.
- › Designed to withstand the high torque and force associated with impact tools in repetitive application.
- › Features two through holes and a groove to accept a Proto® Retaining Ring or pin and O-ring to help secure the socket to the drive tool anvil.
- › Position at appropriate angle to turn fasteners where obstructions prevent a straight application.
- › Ball and spring design which allows for a 30° working angle.
- › Smooth 360° rotation.




Product #	Overall Length (in) (L)	Weight (lbs)
J07570A	3-1/2	1.40



3/4" DRIVE ADAPTERS

- › Use adapters to help increase or decrease drive end size.
- › Do not use hand adapters with power tools.
- › Do not over torque small sockets when using them with adapters on large drive tools.
- › Made of forged steel.
- › Size stamped on tool for easy identification.

Product #	Size (in)	Overall Length (in) (L)	Weight (lbs)
J07655	3/4" F x 1" M	2-1/2	0.89
J07656	1"F x 3/4"M	2-7/8	1.42
J7656	5/8"F x 3/4"M	1-31/32	0.40


 ASME B107.2



3/4" DRIVE BUDD WHEEL DEEP SOCKET

- › Stamped size for easy reference.
- › Side locking hole.

Product #	Size (in) (A)	Nut End Outside Dia. (in) (B)	Drive End Outside Dia. (in) (C)	Overall Length (in) (L)	Weight (lbs)
J07524-LS	1-1/2	2-1/4	1-5/8	4	3.12






3/4" DRIVE EXTENSIONS

- › Use extensions to gain access to fasteners in locations that would otherwise be difficult to reach.
- › Male square is oriented in-line with female squares for use with fixed head torque wrenches.
- › Full chamfer at drive opening (when applicable) for easy engagement with drive tools.
- › Drive end chamfer and four detents help provide quick positive engagement with drive tool on any of the socket drive walls.
- › Features two thru holes and a groove to accept a Proto® retaining ring or pin or O-ring to help secure extension to the drive tool anvil.

Product #	Overall Length (in) (L)	Weight (lbs)
J07565	5	1.48
J07567	7	1.97
J07568	10	2.73
J07569	13	3.12

 ASME B107.2





3/4" DRIVE RETAINING RINGS

- › Retaining rings are used to help secure sockets onto drive tools.
- › They are not intended to bear any load.
- › The rotational forces are between the drive tool and the socket.
- › The resin crush gauge on the pin helps indicate when a socket is excessively worn and should be replaced.
- › Drive tool and socket should line up when in use and should not pinch the crush gauge.
- › Cracked sockets and or worn drive tools cause each other to turn excessively in relation to each other. This action pinches the small fin or the crush gauge on these retaining rings. If the crush gauge is pinched, it is an indication that the socket and or the drive tool need to be replaced.
- › One-piece construction, no loose parts. Pin is made of resin which allows the material to compress without breaking.
- › Part numbers are embossed on the rings near the point at which the pin and ring meet.



Product #	Description	For Groove Dia. (in)	Diameter (in)	Height (in)	Weight (lbs)
JRR07520	Retaining Ring, 3/4" DR 1-1/4" GRV	1-1/4	1-7/16	3/16	0.01
JRR07523	Retaining Ring, 3/4" DR 1-7/16" GRV	1-7/16	1-5/8	3/16	0.01
JRR07526	Retaining Ring, 3/4" DR 1-5/8" GRV	1-5/8	1-13/16	3/16	0.01
JRR07528	Retaining Ring, 3/4" DR 1-3/4" GRV	1-3/4	1-15/16	3/16	0.01
JRR07532	Retaining Ring, 3/4" DR 1-15/16" GRV	1-15/16	2-3/16	3/16	0.01
JRR07534	Retaining Ring, 3/4" DR 2-1/8" GRV	2-1/8	2-5/16	3/16	0.01
JRR07536	Retaining Ring, 3/4" DR 2-1/4" GRV	2-1/4	2-7/16	3/16	0.01



3/4" DRIVE IMPACT SOCKET O-RING

Product #	Drive Size (in)	For Use With	Weight (lbs)
J07500R	3/4	All 3/4" drive impact sockets and attachments	0.01



3/4" DRIVE IMPACT SOCKET RETAINING PIN

Product #	Drive Size (in)	For Use With	Weight (lbs)
J07500P	3/4	All 3/4" drive impact sockets and attachments	0.01





1" DRIVE IMPACT SOCKETS - 4 POINT

- ▶ Drive end chamfer and four detents help provide quick positive engagement with drive tool on any of the socket drive walls.
- ▶ Tight tolerances for snug fit on fastener.
- ▶ Large clearance holes, concentric opening and nut end chamfer make it easy to position socket on fasteners.
- ▶ Made from high-strength steel to help minimize wall thickness and provide access to fasteners in recesses and where nuts and bolts protrude.
- ▶ Impact sockets are used wherever powered drive tools are used to install or remove fasteners.
- ▶ Impact sockets are designed to withstand the high torque and force associated with impact tools in repetitive application.
- ▶ Features two through holes and a groove to accept a Proto® Retaining Ring or pin and O-ring to help secure the socket to the drive tool anvil.



Product #	Nut End Outside Dia. Size (in) (A)	Drive End Outside Dia. (in) (B)	Drive End Outside Dia. (in) (C)	Nut Depth (in) (D)	Bolt Clearance Depth (in) (E)	Overall Length (in) (L)	Weight (lbs)	Crush Retaining Ring	O-Ring	Retaining Pin
J10012SS	3/4	1-7/8	2-1/8	5/8	1-3/8	2-1/2	1.57	JRR10028	J10000R1	J10000P1
J10013SS	13/16	1-15/16	2-1/8	5/8	1-3/8	2-1/2	1.53	JRR10028	J10000R1	J10000P1
J10014SS	7/8	2	2-1/8	5/8	1-3/8	2-1/2	1.52	JRR10028	J10000R1	J10000P1
J10015SS	15/16	2-1/16	2-1/8	19/32	1-3/8	2-1/2	1.80	JRR10028	J10000R1	J10000P1
J10016SS	1	2-1/8	2-1/8	11/16	1-3/8	2-1/2	1.75	JRR10028	J10000R1	J10000P1
J10018SS	1-1/8	2-1/4	2-3/8	23/32	1-3/8	2-1/2	1.80	JRR10028	J10000R1	J10000P1
J10024SS	1-1/2	2-5/8	2-5/8	25/32	1-3/8	2-1/2	2.80	JRR10028	J10000R1	J10000P1



1" DRIVE IMPACT SOCKETS - 8 POINT

- ▶ Drive end chamfer and four detents help provide quick positive engagement with drive tool on any of the socket drive walls.
- ▶ Tight tolerances for snug fit on fastener.
- ▶ Large clearance holes, concentric opening and nut end chamfer make it easy to position socket on fasteners.
- ▶ Made from high-strength steel to help minimize wall thickness and provide access to fasteners in recesses and where nuts and bolts protrude.
- ▶ Impact sockets are used wherever powered drive tools are used to install or remove fasteners.
- ▶ Impact sockets are designed to withstand the high torque and force associated with impact tools in repetitive application.
- ▶ Features two through holes and a groove to accept a Proto® Retaining Ring or pin and O-ring to help secure the socket to the drive tool anvil.



Product #	Nut End Outside Dia. Size (in) (A)	Drive End Outside Dia. (in) (B)	Drive End Outside Dia. (in) (C)	Nut Depth (in) (D)	Bolt Clearance Depth (in) (E)	Overall Length (in) (L)	Weight (lbs)	Crush Retaining Ring	O-Ring	Retaining Pin
J10014S	7/8	2	2	5/8	1-3/8	2-5/8	1.33	JRR10028	J10000R1	J10000P1
J10015S	15/16	2	2	5/8	1-3/8	2-5/8	1.52	JRR10028	J10000R1	J10000P1
J10016S	1	2-3/32	2-3/32	11/16	1-3/8	2-13/16	1.61	JRR10028	J10000R1	J10000P1
J10018S	1-1/8	2-7/16	2-7/16	23/32	1-3/8	2-13/16	1.85	JRR10028	J10000R1	J10000P1
J10019S	1-3/16	2-1/4	2-3/32	23/32	1-3/8	2-11/16	1.74	JRR10028	J10000R1	J10000P1
J10020S	1-1/4	2-7/16	2-7/16	11/16	1-1/2	2-13/16	1.92	JRR10028	J10000R1	J10000P1
J10021S	1-5/16	2-1/2	2-1/2	25/32	1-1/2	2-13/16	2.07	JRR10028	J10000R1	J10000P1
J10022S	1-3/8	2-1/2	2-1/2	25/32	1-5/8	2-13/16	1.97	JRR10028	J10000R1	J10000P1
J10023S	1-7/16	2-13/16	2-13/16	13/16	1-5/8	2-15/16	2.54	JRR10028	J10000R1	J10000P1
J10024S	1-1/2	2-13/16	2-13/16	13/16	1-5/8	2-13/16	2.47	JRR10028	J10000R1	J10000P1
J10026S	1-5/8	3-3/32	3-3/32	13/16	1-5/8	3-1/2	3.81	JRR10032	J10000R2	J10000P2
J10027S	1-11/16	3-3/16	3-3/16	7/8	1-3/4	3-1/2	4.06	JRR10032	J10000R2	J10000P2
J10028S	1-3/4	3-3/16	3-3/16	7/8	1-3/4	3-1/2	4.29	JRR10034	J10000R2	J10000P2
J10029S	1-13/16	3-3/8	3-3/8	7/8	1-7/8	3-1/2	4.16	JRR10034	J10000R2	J10000P2
J10030S	1-7/8	3-13/32	3-13/32	15/16	1-7/8	3-1/2	4.17	JRR10034	J10000R2	J10000P2
J10032S	2	3-1/2	3-1/2	1	1-15/16	3-1/2	4.42	JRR10034	J10000R2	J10000P2
J10035S	2-3/16	3-7/8	3-7/8	1	1-15/16	3-1/2	5.28	JRR10034	J10000R2	J10000P2





1" DRIVE IMPACT SOCKETS - 6 POINT

- ▶ Proto® 6 Point Impact Sockets are ideal for use on stubborn or damaged fasteners, and also on fasteners made from soft materials.
- ▶ TorquePlus™ features apply.



Product #	Size (in) (A)	Nut End Outside Dia. (in) (B)	Drive End Outside Dia. (in) (C)	Nut Depth (in) (D)	Bolt Clearance Depth (in) (E)	Overall Length (in) (L)	Weight (lbs)	Crush Retaining Ring	O-Ring	Retaining Pin
J10012	3/4	1-7/16	2-1/8	19/32	1-5/16	2-7/16	1.11	JRR10028	J10000R1	J10000P1
J10013	13/16	1-1/2	2-1/8	5/8	1-3/8	2-1/2	1.07	JRR10028	J10000R1	J10000P1
J10014	7/8	1-17/32	2-1/8	21/32	1-3/8	2-1/2	1.17	JRR10028	J10000R1	J10000P1
J10015	15/16	1-39/64	2-1/8	19/32	1-3/8	2-1/2	1.19	JRR10028	J10000R1	J10000P1
J10016	1	1-3/4	2-1/8	3/4	1-3/8	2-1/2	1.19	JRR10028	J10000R1	J10000P1
J10017	1-1/16	1-3/4	2-1/8	7/8	1-1/2	2-5/8	1.28	JRR10028	J10000R1	J10000P1
J10018	1-1/8	1-13/16	2-1/8	7/8	1-1/2	2-5/8	1.27	JRR10028	J10000R1	J10000P1
J10019	1-3/16	1-7/8	2-1/8	7/8	1-1/2	2-5/8	1.50	JRR10028	J10000R1	J10000P1
J10020	1-1/4	2-1/8	2-1/8	15/16	1-1/2	2-5/8	1.50	JRR10028	J10000R1	J10000P1
J10021	1-5/16	2-1/8	2-1/8	15/16	1-5/8	2-3/4	1.45	JRR10028	J10000R1	J10000P1
J10022	1-3/8	2-1/8	2-1/8	1-1/32	1-5/8	2-3/4	1.65	JRR10028	J10000R1	J10000P1
J10023	1-7/16	2-1/8	2-1/8	1-1/32	1-5/16	2-7/16	1.71	JRR10028	J10000R1	J10000P1
J10024	1-1/2	2-3/8	2-3/8	1-1/4	1-1/2	2-5/8	1.89	JRR10028	J10000R1	J10000P1
J10025	1-9/16	2-3/8	2-3/8	1-1/4	1-1/2	2-5/8	2.14	JRR10032	J10000R2	J10000P2
J10026	1-5/8	2-15/32	2-3/8	1-1/4	1-1/2	2-5/8	2.11	JRR10032	J10000R2	J10000P2
J10027	1-11/16	2-39/64	2-3/8	1-1/8	1-11/16	2-13/16	2.18	JRR10032	J10000R2	J10000P2
J10028	1-3/4	2-11/16	2-3/8	1-1/8	1-11/16	2-13/16	2.63	JRR10034	J10000R2	J10000P2
J10029	1-13/16	2-51/64	2-3/8	1-1/8	1-1/16	2-13/16	2.55	JRR10034	J10000R2	J10000P2
J10030	1-7/8	2-51/64	2-3/8	1-1/4	1-7/8	3	2.75	JRR10034	J10000R2	J10000P2
J10031	1-15/16	2-7/8	2-3/8	1-1/4	1-7/8	3	3.01	JRR10034	J10000R2	J10000P2
J10032	2	3	2-3/8	1-1/4	1-7/8	3	3.10	JRR10034	J10000R2	J10000P2
J10033	2-1/16	3	2-3/8	1-9/16	1-9/16	3-3/32	3.04	JRR10034	J10000R2	J10000P2
J10034	2-1/8	3-1/8	2-3/8	1-3/8	1-9/16	3-3/32	3.30	JRR10034	J10000R2	J10000P2
J10035	2-3/16	3-1/4	2-3/8	1-3/8	1-9/16	3-1/8	3.54	JRR10034	J10000R2	J10000P2
J10036	2-1/4	3-5/16	2-3/8	1-1/2	1-21/32	3-1/4	3.60	JRR10034	J10000R2	J10000P2
J10037	2-5/16	3-7/16	2-3/8	1-1/2	1-23/32	3-21/64	4.13	JRR10034	J10000R2	J10000P2
J10038	2-3/8	3-1/2	2-3/8	1-1/2	1-3/4	3-3/8	4.07	JRR10034	J10000R2	J10000P2
J10039	2-7/16	3-1/2	2-3/8	1-5/8	1-3/4	3-25/64	4.12	JRR10034	J10000R2	J10000P2
J10040	2-1/2	3-5/8	2-3/8	1-5/8	1-13/16	3-1/2	4.15	JRR10034	J10000R2	J10000P2
J10041	2-9/16	3-47/64	2-3/8	1-5/8	1-13/16	3-1/2	4.94	JRR10040	-	-
J10042	2-5/8	3-3/4	2-3/8	1-3/4	1-15/16	3-5/8	4.92	JRR10040	-	-
J10043	2-11/16	3-7/8	2-3/8	1-3/4	1-15/16	3-21/32	5.39	JRR10040	-	-
J10044	2-3/4	3-7/8	2-3/8	1-3/4	2	3-3/4	5.39	JRR10040	-	-
J10045	2-13/16	4	2-3/8	1-7/8	2-3/64	3-13/16	5.99	JRR10040	-	-
J10046	2-7/8	4-1/16	2-3/8	1-7/8	2-5/64	3-7/8	5.95	JRR10040	-	-
J10047	2-15/16	4-1/8	2-3/8	1-7/8	2-1/16	3-7/8	6.11	JRR10040	-	-
J10048	3	4-1/4	2-3/8	2	2-3/16	4	6.77	JRR10040	-	-
J10050	3-1/8	4-3/8	2-3/8	2	2-3/16	4-1/16	6.94	JRR10040	-	-
J10052	3-1/4	4-1/2	2-3/8	2	2-15/32	4-3/8	7.62	JRR10040	-	-
J10054	3-3/8	4-9/16	2-3/8	2-1/4	2-15/32	4-7/16	7.80	JRR10040	-	-
J10056	3-1/2	4-3/4	2-3/8	2-1/4	2-1/2	4-1/2	8.45	JRR10040	-	-
J10058	3-5/8	4-7/8	2-3/8	2-1/4	2-35/64	4-3/4	10.59	-	-	-
J10062	3-7/8	5-1/16	2-3/8	2-1/4	2-31/32	5	12.20	-	-	-
J10064	4	5-3/4	2-3/8	2-1/2	4-3/8	5-1/2	14.89	-	-	-
J10066	4-1/8	6	2-3/8	2-3/4	4-5/8	5-1/2	15.26	-	-	-
J10068	4-1/4	6	2-3/8	2-3/4	4-5/8	5-1/2	15.56	-	-	-
J10072	4-1/2	6-1/4	2-3/8	3	4-7/8	6	17.61	-	-	-



ASME B107.2



1" DRIVE METRIC IMPACT SOCKETS - 6 POINT



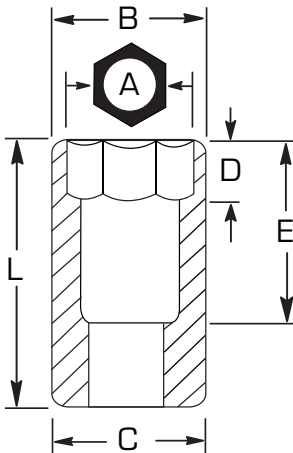
- › Proto® 6 Point Impact Sockets are ideal for use on stubborn or damaged fasteners, and also on fasteners made from soft materials.
- › TorquePlus™ features apply.



Product #	Size (mm) (A)	Nut End Outside Dia. (in) (B)	Drive End Outside Dia. (in) (C)	Nut Depth (in) (D)	Bolt Clearance Depth (in) (E)	Overall Length (in) (L)	Weight (lbs)	Crush Retaining Ring	O-Ring	Retaining Pin
J10019M	19	1-7/16	2-1/8	39/64	57/64	2-13/32	1.10	JRR10028	J10000R1	J10000P1
J10022M	22	1-35/64	2-1/8	21/32	1	2-13/32	1.09	JRR10028	J10000R1	J10000P1
J10024M	24	1-39/64	2-1/8	3/4	1	2-13/32	1.06	JRR10028	J10000R1	J10000P1
J10026M	26	1-45/64	2	1-1/8	1-1/2	2-3/8	1.16	JRR10032	J10000R2	J10000P2
J10027M	27	1-49/64	2-1/8	7/8	1-13/64	2-19/32	1.27	JRR10032	J10000R2	J10000P2
J10028M	28	1-13/16	2-1/8	7/8	1-13/64	2-19/32	1.27	JRR10034	J10000R2	J10000P2
J10029M	29	1-51/64	2-1/8	1-19/64	1-31/64	2-19/32	1.30	JRR10034	J10000R2	J10000P2
J10030M	30	1-7/8	2-1/8	7/8	1-13/64	2-19/32	1.58	JRR10034	J10000R2	J10000P2
J10032M	32	2-1/8	2-1/8	15/16	1-13/64	2-19/32	1.51	JRR10034	J10000R2	J10000P2
J10033M	33	2-1/8	2-1/8	1	1-1/4	2-3/4	1.48	JRR10034	J10000R2	J10000P2
J10035M	35	2-13/64	2-1/8	1-13/32	1-13/64	2-45/64	1.63	JRR10034	J10000R2	J10000P2
J10036M	36	2-1/4	2-1/8	27/32	1-13/64	2-7/16	1.73	JRR10034	J10000R2	J10000P2
J10038M	38	2-25/64	2-25/64	1-13/32	1-1/4	2-45/64	1.91	JRR10034	J10000R2	J10000P2
J10041M	41	2-31/64	2-13/32	1-1/8	1-1/4	2-13/16	2.07	JRR10034	J10000R2	J10000P2
J10046M	46	2-25/32	2-13/32	1-5/16	1-13/32	2-13/16	2.63	JRR10040	-	-
J10050M	50	3	2-13/32	1-7/16	1-1/2	3	3.20	JRR10040	-	-
J10054M	54	3-3/32	2-13/32	1-19/32	1-1/2	3	3.33	JRR10040	-	-
J10055M	55	3-1/4	2-13/32	1-9/16	1-9/16	3-1/8	3.71	JRR10040	-	-
J10058M	58	3-1/2	2-7/16	1-43/64	2-13/32	3-13/64	3.85	-	-	-
J10060M	60	3-3/4	2-13/32	1-9/16	1-53/64	3-3/8	3.91	-	-	-
J10063M	63	3-3/4	2-13/32	1-9/16	1-13/16	3-3/8	4.12	-	-	-
J10065M	65	3-3/4	2-13/32	1-9/16	1-13/16	3-1/2	4.93	-	-	-
J10067M	67	3-3/4	2-3/4	2	2-21/64	3-1/2	4.93	-	-	-
J10070M	70	3-13/16	2-3/4	1-25/32	2-1/4	3-53/64	5.02	-	-	-
J10075M	75	4	2-3/4	2-13/64	2-11/16	3-27/32	6.15	-	-	-
J10080M	80	4-13/64	2-3/4	2-21/64	2-13/16	4	6.59	-	-	-



ASME B107.33M





1" DRIVE DEEP IMPACT SOCKETS - 6 POINT

- ▶ Proto® 6 Point Impact Sockets are ideal for use on stubborn or damaged fasteners, and also on fasteners made from soft materials.
- ▶ TorquePlus™ features apply.



Product #	Size (in) (A)	Nut End Outside Dia. (in) (B)	Drive End Outside Dia. (in) (C)	Nut Depth (in) (D)	Bolt Clearance Depth (in) (E)	Overall Length (in) (L)	Weight (lbs)	Crush Retaining Ring	O-Ring	Retaining Pin
J10014L	7/8	1-35/64	2-1/8	21/32	2-5/8	3-3/4	2.45	JRR10028	J10000R1	J10000P1
J10015L	15/16	1-39/64	2-1/8	49/64	2-5/8	3-3/4	2.64	JRR10028	J10000R1	J10000P1
J10016L	1	1-3/4	2-1/8	3/4	2-5/8	3-3/4	2.66	JRR10028	J10000R1	J10000P1
J10017L	1-1/16	1-3/4	2-1/8	7/8	2-5/8	3-3/4	2.54	JRR10028	J10000R1	J10000P1
J10018L	1-1/8	1-13/16	2-1/8	7/8	2-5/8	3-3/4	2.53	JRR10028	J10000R1	J10000P1
J10019L	1-3/16	1-7/8	2-1/8	7/8	2-5/8	3-3/4	2.32	JRR10028	J10000R1	J10000P1
J10020L	1-1/4	2-1/8	2-1/8	15/16	2-5/8	3-3/4	2.55	JRR10028	J10000R1	J10000P1
J10021L	1-5/16	2-1/8	2-1/8	1	2-5/8	3-3/4	2.45	JRR10028	J10000R1	J10000P1
J10022L	1-3/8	2-1/8	2-1/8	1-1/32	2-5/8	3-3/4	2.38	JRR10028	J10000R1	J10000P1
J10023L	1-7/16	2-1/8	2-1/8	1-3/8	2-5/32	4	2.52	JRR10028	J10000R1	J10000P1
J10024L	1-1/2	2-3/8	2-3/8	1-3/8	2-5/32	4	2.80	JRR10028	J10000R1	J10000P1
J10025L	1-9/16	2-3/8	2-3/8	2	2-3/8	4	2.89	JRR10028	J10000R1	J10000P1
J10026L	1-5/8	2-3/8	2-3/8	2-1/4	2-53/64	4	2.73	JRR10032	J10000R2	J10000P2
J10027L	1-11/16	2-39/64	2-3/8	2-1/4	2-53/64	4-1/16	3.45	JRR10032	J10000R2	J10000P2
J10028L	1-3/4	2-39/64	2-3/8	2-1/4	2-53/64	4-1/16	3.31	JRR10034	J10000R2	J10000P2
J10029L	1-13/16	2-3/4	2-3/8	2-1/4	2-53/64	4-1/16	3.65	JRR10034	J10000R2	J10000P2
J10030L	1-7/8	2-3/4	2-3/8	2-3/8	2-3/4	4-1/4	3.74	JRR10034	J10000R2	J10000P2
J10031L	1-15/16	2-7/8	2-3/8	2-3/8	2-3/4	4-1/4	4.05	JRR10034	J10000R2	J10000P2
J10032L	2	3	2-3/8	2-3/8	2-3/4	4-1/4	4.31	JRR10034	J10000R2	J10000P2
J10033L	2-1/16	3-1/8	2-3/8	2-9/16	2-3/4	4-1/4	4.52	JRR10034	J10000R2	J10000P2
J10034L	2-1/8	3-1/8	2-3/8	2-19/32	2-31/32	4-1/2	4.78	JRR10034	J10000R2	J10000P2
J10035L	2-3/16	3-1/4	2-3/8	2-9/16	2-15/16	4-1/2	5.19	JRR10034	J10000R2	J10000P2
J10036L	2-1/4	3-1/4	2-3/8	2-17/32	2-29/32	4-1/2	4.98	JRR10034	J10000R2	J10000P2
J10037L	2-5/16	3-1/2	2-3/8	2-17/32	2-29/32	4-3/4	5.92	JRR10034	J10000R2	J10000P2
J10038L	2-3/8	3-1/2	2-3/8	2-3/4	3-1/8	4-3/4	8.06	JRR10034	J10000R2	J10000P2
J10039L	2-7/16	3-9/16	2-3/8	3-7/8	3-3/16	4-7/8	5.82	JRR10034	J10000R2	J10000P2
J10040L	2-1/2	3-5/8	2-3/8	3	3-1/4	4-7/8	6.02	JRR10034	J10000R2	J10000P2
J10041L	2-9/16	3-5/8	2-3/8	3-1/8	3-5/16	5	6.33	JRR10040	-	-
J10042L	2-5/5	3-3/4	2-3/8	3-1/16	3-7/16	5	6.75	JRR10040	-	-
J10044L	2-3/4	3-7/8	2-3/8	3-1/16	3-1/2	5	7.10	JRR10040	-	-



1" DRIVE IMPACT UNIVERSAL JOINT

- › Tight tolerances for snug fit on fastener.
- › Used wherever powered drive tools are used to install or remove fasteners.
- › Designed to withstand the high torque and force associated with impact tools in repetitive application.
- › Features two through holes and a groove to accept a Proto® Retaining Ring or pin and O-ring to help secure the socket to the drive tool anvil.
- › Position at appropriate angle to turn fasteners where obstructions prevent a straight application.
- › Ball and spring design which allows for a 30° working angle.
- › Smooth 360° rotation.

Product #	Overall Length (in) (L)	Weight (lbs)
J10670A	4-19/32	3.98



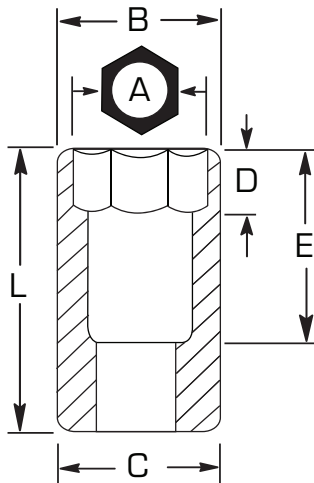
1" DRIVE IMPACT ADAPTERS

- › Use adapters to help increase or decrease drive end size.
- › Do not use hand adapters with power tools.
- › Do not over torque small sockets when using them with adapters on large drive tools.

Product #	Size (in)	Overall Length (in) (L)	Weight (lbs)
J15007	1-1/2" F x 1" M	4-3/16	5.03
J07655	3/4" F x 1" M	2-1/2	0.89
J07656	1" F x 3/4" M	2-7/8	1.42
J10004	1" F x 1-1/2" M	3-1/2	2.64



ASME B107.2



1" DRIVE IMPACT ADAPTER - MALE SPLINE

- › Use adapters to help increase or decrease drive end size.
- › Do not use hand adapters with power tools.
- › Do not over torque small sockets when using them with adapters on large drive tools.

Product #	Size (in)	Overall Length (in) (L)	Weight (lbs)
J10005	1" SQ. F x #5 SPL. M	4-1/2	2.58



1" DRIVE BUDD WHEEL DEEP IMPACT SOCKET

- › Double opening: 13/16 square threads studs onto wheel, 1-1/2 hex tightens lug nuts.

Product #	Size (in)	Drive Size (in)	Nut End Outside Dia. (in) (B)	Drive End Outside Dia. (in) (C)	Overall Length (in) (L)	Weight (lbs)
J10024LS	1-1/2	1	2-3/8	2-3/8	4	2.96



1" DRIVE IMPACT EXTENSIONS

- › Use extensions to gain access to fasteners in locations that would otherwise be difficult to reach.
- › Male square is oriented in-line with female squares for use with fixed head torque wrenches.
- › Full chamfer at drive opening (when applicable) for easy engagement with drive tools.
- › Drive end chamfer and four detents help provide quick positive engagement with drive tool on any of the socket drive walls.
- › Stamped size for easy reference.
- › Side locking hole.

Product #	Overall Length (in) (L)	Weight (lbs)
J10607	7-3/8	3.54
J10608	10	4.49
J10609	13	5.81



ASME B107.2



1" DRIVE RETAINING RINGS

- › Large drive size crush gauge retaining ring.
- › Part numbers are embossed on the rings near the point at which the pin and ring meet.



Product #	Description	For Groove Dia. (in)	Diameter (in)	Height (in)	Weight (lbs)
JRR10028	Retaining Ring 1" DR 1-3/4 Groove	1-3/4	1-15/16	3/16	0.01
JRR10032	Retaining Ring 1" DR 2" Groove	2	2-3/16	3/16	0.01
JRR10034	Retaining Ring 1" DR 2-1/8 Groove	2-1/8	2-5/16	3/16	0.02
JRR10036	Retaining Ring 1" DR 2-1/4 Groove	2-1/4	2-7/16	3/16	0.02
JRR10040	Retaining Ring 1" DR 2-1/2 Groove	2-1/2	2-11/16	3/16	0.02
JRR10042	Retaining Ring 1" DR 2-5/8 Groove	2-5/8	2-13/16	3/16	0.02



1" DRIVE O-RINGS

- › J10000R1 - "O" Ring for impact sockets with a 1" Drive.
- › Use with:
 - › J10012 thru J10023
 - › J10019M thru J10036M
 - › J10012SS thru J10018SS
 - › J100185, J10017-LT, J10020-LT, J10607, J10608, J10609
- › J10000R2 - "O" Ring for impact sockets with a 1" Drive.
- › Use with:
 - › J10024 thru J10072
 - › J10041M thru J10065M
 - › J10024L thru J10044L
 - › J10024LS, J10670, J10004, J10005

Product #	Drive Size (in)	Weight (lbs)
J10000R1	1	0.01
J10000R2	1	0.01



1" DRIVE RETAINING PINS

- › J10000P1 - Use for a variety of impact sockets and attachments.
- › Use with:
 - › J10012 thru J10023
 - › J10019M thru J10036M
 - › J10012SS thru J10018SS
 - › J100185, J10017-LT, J10020-LT, J10607, J10608, J10609
- › J10000P2 - Use for a variety of impact sockets and attachments.
- › Use with:
 - › J10024 thru J10072
 - › J10041M thru J10065M
 - › J10024L thru J10044L
 - › J10024LS, J10670, J10004, J10005

Product #	Drive Size (in)	Weight (lbs)
J10000P1	1	0.02
J10000P2	1	0.02



1-1/2" DRIVE IMPACT SOCKETS - 6 POINT

- › Proto® 6 Point Impact Sockets are ideal for use on stubborn or damaged fasteners, and also on fasteners made from soft materials.
- › TorquePlus™ features apply.
- › Stamped size for easy reference.
- › Side locking hole.



Product #	Size (in) (A)	Nut End	Drive End	Nut	Bolt Clearance	Overall	Weight (lbs)	Crush Retaining Ring
		Outside Dia. (in) (B)	Outside Dia. (in) (C)	Depth (in) (D)	Depth (in) (E)	Length (in) (L)		
J15021	1-5/16	2-3/4	3-1/4	3/4	1-3/8	3-1/8	4.78	JRR15046
J15022	1-3/8	2-19/32	3-1/4	7/8	1-1/2	3-1/8	4.69	JRR15046
J15023	1-7/16	2-19/32	3-1/4	7/8	1-1/2	3-1/8	4.76	JRR15046
J15024	1-1/2	2-19/32	3-1/4	15/16	1-1/2	3-1/8	4.67	JRR15046
J15025	1-9/16	2-3/4	3-1/4	31/32	1-1/2	3-1/8	4.78	JRR15046
J15026	1-5/8	2-7/8	3-1/4	31/32	1-1/2	3-1/8	4.91	JRR15046
J15027	1-11/16	2-7/8	3-1/4	1-1/16	1-19/32	3-15/64	5.01	JRR15046
J15028	1-3/4	2-15/16	3-1/4	1-3/32	1-21/32	3-11/32	5.22	JRR15046
J15029	1-13/16	3	3-1/4	1-1/8	1-21/32	3-11/32	5.00	JRR15046
J15030	1-7/8	3	3-1/4	1-3/16	1-45/64	3-11/32	5.33	JRR15046
J15031	1-15/16	3	3-1/4	1-1/8	2	3-5/8	5.33	JRR15046
J15032	2	3-1/4	3-1/4	1-1/4	1-13/32	3-5/8	5.65	JRR15046
J15033	2-1/16	3-1/4	3-1/4	1-9/32	1-11/16	3-5/8	5.50	JRR15046
J15034	2-1/8	3-1/2	3-1/4	1-11/32	1-43/64	3-5/8	6.68	JRR15054
J15035	2-3/16	3-1/2	3-1/4	1-3/8	1-21/32	3-5/8	6.47	JRR15054
J15036	2-1/4	3-1/2	3-1/4	1-1/2	1-3/4	3-3/4	7.98	JRR15054
J15037	2-5/16	3-1/2	3-1/4	1-1/2	1-53/64	3-7/8	7.93	JRR15054
J15038	2-3/8	3-1/4	3-1/4	1-9/16	1-55/64	3-7/8	7.90	JRR15054
J15039	2-7/16	3-3/4	3-1/4	1-9/16	1-15/16	3-7/8	8.52	JRR15054
J15040	2-1/2	3-3/4	3-1/4	1-5/8	1-59/64	4	8.40	JRR15054
J15041	2-9/16	3-3/4	3-1/4	1-5/8	1-29/32	4	8.92	JRR15054
J15042	2-5/8	4-1/8	3-1/4	1-5/8	2	4-1/8	8.84	JRR15054
J15043	2-11/16	4-1/8	3-1/4	1-3/4	2-7/64	4-1/4	9.25	JRR15054
J15044	2-3/4	4-1/4	3-1/4	1-3/4	2-5/64	4-1/4	10.03	JRR15054
J15045	2-13/16	4-1/4	3-1/4	1-7/8	2-3/16	4-3/8	9.83	JRR15054
J15046	2-7/8	4-1/2	3-1/4	1-7/8	2-11/64	4-3/8	11.36	JRR15054
J15047	2-15/16	4-1/2	3-1/4	2	2-17/16	4-1/2	11.24	JRR15054
J15048	3	4-1/2	3-1/4	2	2-1/4	4-1/2	12.59	JRR15054
J15049	3-1/16	4-3/4	3-1/4	2	2-23/64	4-5/8	12.53	JRR15054
J15050	3-1/8	4-3/4	3-1/4	2	2-23/64	4-5/8	12.42	JRR15054
J15051	3-3/16	4-3/4	3-1/4	2	2-9/16	4-23/32	12.15	JRR15054
J15052	3-1/4	5	3-1/4	2	2-35/64	4-23/32	14.08	JRR15054
J15053	3-5/16	5	3-1/4	2	2-31/64	4-23/32	13.79	JRR15054
J15054	3-3/8	5	3-1/4	2	2-33/64	4-23/32	13.67	JRR15054
J15055	3-7/16	5	3-1/4	2	2-39/64	4-31/32	13.44	-
J15056	3-1/2	5-1/8	3-1/4	2-1/4	2-37/64	4-31/32	14.46	-
J15057	3-9/16	5-1/8	3-1/4	2-1/4	2-9/16	5	12.54	-
J15058	3-5/8	5-1/8	3-1/4	2-1/4	2-35/64	5	14.73	-
J15059	3-11/16	5-1/8	3-1/4	2-1/4	2-33/64	5	14.67	-
J15060	3-3/4	5-1/2	3-1/4	2-1/4	2-1/2	5	16.75	-
J15061	3-13/16	5-1/2	3-1/4	2-1/4	2-31/64	5	19.49	-
J15062	3-7/8	5-1/2	3-1/4	2-1/4	2-31/32	5-1/2	18.70	-
J15063	3-15/16	5-3/4	3-1/4	2-1/2	2-15/16	5-1/2	21.33	-
J15064	4	5-3/4	3-1/4	2-1/2	2-59/64	5-1/2	20.66	-
J15065	4-1/16	5-3/4	3-1/4	2-3/4	2-29/32	5-1/2	20.25	-
J15066	4-1/8	6	3-1/4	2-3/4	3-1/8	5-3/4	26.72	-



Product #	Size (in) (A)	Nut End Outside Dia. (in) (B)	Drive End Outside Dia. (in) (C)	Nut Depth (in) (D)	Bolt Clearance Depth (in) (E)	Overall Length (in) (L)	Weight (lbs)	Crush Retaining Ring
J15067	4-3/16	6-11/16	3-3/4	3-1/8	4-5/8	6-1/4	26.17	-
J15068	4-1/4	6	3-1/4	2-3/4	3-5/64	5-3/4	27.05	-
J15069	4-5/16	6	3-1/4	2-3/4	3-1/16	5-3/4	27.66	-
J15070	4-3/8	6-1/4	3-1/4	2-3/4	3-3/64	5-3/4	28.23	-
J15071	4-7/16	6-1/4	3-1/4	3	3-17/64	6	18.63	-
J15072	4-1/2	6-1/4	3-1/4	3	3-1/4	6	28.40	-
J15074	4-5/8	6-1/2	3-1/4	3	3-15/32	6-1/4	29.98	-
J15076	4-3/4	6-1/2	3-1/4	3	3-27/64	6-1/4	30.15	-
J15080	5	6-3/4	3-1/2	3	3-1/2	6-3/4	25.16	-



ASME B107.2

1-1/2" DRIVE METRIC IMPACT SOCKETS - 6 POINT

- ▶ Proto® 6 Point Impact Sockets are ideal for use on stubborn or damaged fasteners, and also on fasteners made from soft materials.
- ▶ TorquePlus™ features apply.
- ▶ Stamped size for easy reference.
- ▶ Side locking hole.



METRIC

Product #	Size (mm) (A)	Nut End Outside Dia. (in) (B)	Drive End Outside Dia. (in) (C)	Nut Depth (in) (D)	Bolt Clearance Depth (in) (E)	Overall Length (in) (L)	Weight (lbs)	Crush Retaining Ring	O-Ring	Retaining Pin
J15036M	36	2-3/4	3-1/4	7/8	1-3/8	3-3/16	4.73	JRR10034	J10000R2	J10000P2
J15038M	38	2-7/8	3-1/4	7/8	1-7/16	3-1/4	4.85	JRR10034	J10000R2	J10000P2
J15060M	60	3-5/8	3-5/8	1-3/8	2-3/8	4	8.71	-	-	-
J15065M	65	3-7/8	3-7/8	1-1/2	2-1/2	4-3/16	8.75	-	-	-
J15070M	70	4-1/16	3-3/4	1-5/8	2-3/4	4-3/8	9.72	-	-	-
J15075M	75	4-5/16	3-3/4	1-3/4	2-7/8	4-1/2	11.04	-	-	-



1-1/2" DRIVE DEEP IMPACT SOCKETS - 6 POINT

- ▶ Proto® 6 Point Impact Sockets are ideal for use on stubborn or damaged fasteners, and also on fasteners made from soft materials.
- ▶ TorquePlus™ features apply.
- ▶ Stamped size for easy reference.
- ▶ Side locking hole.



Product #	Size (in) (A)	Nut End Outside Dia. (in) (B)	Drive End Outside Dia. (in) (C)	Nut Depth (in) (D)	Bolt Clearance Depth (in) (E)	Overall Length (in) (L)	Weight (lbs)	Crush Retaining Ring	O-Ring	Retaining Pin
J15021L	1-5/16	2-3/4	3-1/4	13/16	4	5-11/16	10.23	JRR15046	J10000R2	J10000P2
J15022L	1-3/8	2-19/32	3-1/4	7/8	4-1/8	5-3/4	9.18	JRR15046	J10000R2	J10000P2
J15023L	1-7/16	2-19/32	3-1/4	7/8	4-1/8	5-3/4	9.09	JRR15046	-	-
J15024L	1-1/2	2-19/32	3-1/4	15/16	4-1/8	5-3/4	9.13	JRR15046	-	-
J15025L	1-9/16	2-7/8	3-1/4	31/32	4-1/8	5-3/4	8.86	JRR15046	-	-
J15026L	1-5/8	2-7/8	3-1/4	31/32	4-1/8	5-3/4	9.37	JRR15046	-	-
J15027L	1-11/16	2-7/8	3-1/4	1-1/16	4-1/8	5-3/4	9.19	JRR15046	-	-
J15028L	1-3/4	2-15/16	3-1/4	1-3/32	4-1/8	5-3/4	8.80	JRR15046	-	-
J15029L	1-13/16	3-1/8	3-1/4	1-1/8	4-1/8	5-3/4	9.52	JRR15046	-	-
J15030L	1-7/8	3-1/8	3-1/4	1-3/16	4-1/8	5-3/4	9.30	JRR15046	-	-
J15031L	1-15/16	3-1/8	3-1/4	1-1/8	4-1/8	5-3/4	8.78	JRR15046	-	-
J15032L	2	3-1/4	3-1/4	1-21/32	3-53/64	5-3/4	9.40	JRR15046	-	-
J15033L	2-1/16	3-1/4	3-1/4	1-45/64	3-13/16	5-3/4	8.27	JRR15046	-	-
J15034L	2-1/8	3-1/2	3-1/4	1-3/4	3-57/64	5-3/4	9.35	JRR15054	J10000R2	J10000P2
J15035L	2-3/16	3-1/2	3-1/4	1-51/64	3-57/64	5-3/4	8.83	JRR15054	J10000R2	J10000P2

(CONTINUED ON NEXT PAGE)



1-1/2" DRIVE DEEP IMPACT SOCKETS (CONTINUED)

Product #	Size (in) (A)	Nut End Outside Dia. (in) (B)	Drive End Outside Dia. (in) (C)	Nut Depth (in) (D)	Bolt Clearance Depth (in) (E)	Overall Length (in) (L)	Weight (lbs)	Crush Retaining Ring	O-Ring	Retaining Pin
J15036L	2-1/4	3-1/2	3-1/4	1-27/32	3-57/64	5-7/8	8.78	JRR15054	-	-
J15037L	2-5/16	3-1/2	3-1/4	1-29/32	3-57/64	5-7/8	8.47	JRR15054	-	-
J15038L	2-3/8	3-3/4	3-1/4	1-61/64	3-57/64	5-7/8	12.21	JRR15054	-	-
J15039L	2-7/16	3-3/4	3-1/4	2-1/64	3-15/16	6	13.56	JRR15054	-	-
J15040L	2-1/2	3-3/4	3-1/4	2-1/16	3-59/64	6	13.41	JRR15054	-	-
J15041L	2-9/16	3-3/4	3-1/4	2-7/64	3-57/64	6	14.28	JRR15054	-	-
J15042L	2-5/8	4-1/8	3-1/4	2-5/32	3-57/64	6	11.59	JRR15054	-	-
J15043L	2-11/16	4-1/8	3-1/4	2-7/32	3-63/64	6-1/8	14.50	JRR15054	-	-
J15044L	2-3/4	4-1/4	3-1/4	2-17/64	3-31/32	6-1/8	15.25	JRR15054	-	-
J15045L	2-13/16	4-1/4	3-1/4	2-5/16	4-1/16	6-1/4	15.53	JRR15054	-	-
J15046L	2-7/8	4-1/2	3-1/4	2-3/8	4-3/64	6-1/4	17.74	JRR15054	-	-
J15047L	2-15/16	4-1/2	3-1/4	2-27/64	4-1/64	6-1/4	17.25	JRR15054	-	-
J15048L	3	4-1/2	3-1/4	2-15/32	4-1/8	6-3/8	19.17	JRR15054	-	-
J15049L	3-1/16	4-3/4	3-1/4	2-33/64	4-1/8	6-3/8	15.76	JRR15054	-	-
J15050L	3-1/8	4-3/4	3-1/4	2-37/64	4-5/64	6-3/8	18.89	JRR15054	-	-
J15051L	3-3/16	4-3/4	3-1/4	2-5/8	4-3/16	6-1/2	19.16	JRR15054	-	-
J15052L	3-1/4	5	3-1/4	2-43/64	4-5/32	6-1/2	21.66	JRR15054	-	-
J15053L	3-5/16	5	3-1/4	2-47/64	4-1/8	6-1/2	21.33	JRR15054	-	-
J15054L	3-3/8	5	3-1/4	2-25/32	4-1/8	6-1/2	21.10	JRR15054	-	-
J15055L	3-7/16	5	3-1/4	2-27/32	4-7/64	6-1/2	20.78	-	-	-
J15056L	3-1/2	5-1/8	3-1/4	2-7/8	4-5/64	6-1/2	21.68	-	-	-
J15057L	3-9/16	5-1/8	3-1/4	2-15/16	4-5/16	6-3/4	17.24	-	-	-
J15058L	3-5/8	5-1/8	3-1/4	2-63/64	4-19/64	6-3/4	17.48	-	-	-
J15059L	3-11/16	5-1/8	3-1/4	3-1/32	4-17/64	6-3/4	16.2	-	-	-
J15060L	3-3/4	5-1/2	3-1/4	3-3/32	4-15/64	6-3/4	26.63	-	-	-
J15061L	3-13/16	5-1/2	3-1/4	3-9/64	4-15/64	6-3/4	18.52	-	-	-
J15062L	3-7/8	5-1/2	3-1/4	3-3/16	4-7/32	6-3/4	27.36	-	-	-
J15063L	3-15/16	5-3/4	3-1/4	3-1/4	4-7/16	7	21.16	-	-	-
J15064L	4	5-3/4	3-1/4	3-19/64	4-7/16	7	30.47	-	-	-
J15065L	4-1/16	5-3/4	3-1/4	3-11/32	4-25/64	7	19.43	-	-	-
J15066L	4-1/8	6	3-1/4	3-25/64	4-25/64	7	36.26	-	-	-
J15067L	4-3/16	6	3-1/4	3-7/16	5-1/32	7-1/4	21.71	-	-	-
J15068L	4-1/4	6	3-1/4	3-1/2	4-37/64	7-1/4	22.36	-	-	-
J15069L	4-5/16	6	3-1/4	3-9/16	4-9/16	7-1/4	28.73	-	-	-
J15070L	4-3/8	6-1/4	3-1/4	3-39/64	4-35/64	7-1/4	24.04	-	-	-
J15072L	4-1/2	6-1/4	3-1/4	3-45/64	4-1/2	7-1/4	35.85	-	-	-
J15074L	4-5/8	6-1/2	3-1/4	3-13/16	4-23/32	7-1/2	41.32	-	-	-
J15076L	4-3/4	6-1/2	3-1/4	3-29/32	4-43/64	7-1/2	24.23	-	-	-



ASME B107.2

1-1/2" DRIVE IMPACT UNIVERSAL JOINT

- ▶ Tight tolerances for snug fit on fastener.
- ▶ Used wherever powered drive tools are used to install or remove fasteners.
- ▶ Designed to withstand the high torque and force associated with impact tools in repetitive application.
- ▶ Features two through holes and a groove to accept a Proto® Retaining Ring or pin and O-ring to help secure the socket to the drive tool anvil.
- ▶ Position at appropriate angle to turn fasteners where obstructions prevent a straight application.
- ▶ Ball and spring design which allows for a 30° working angle.
- ▶ Smooth 360° rotation.

Product #	Overall Length (in) (L)	Weight (lbs)
J15670A	6-19/64	9.35



1-1/2" DRIVE IMPACT ADAPTERS

- › Use adapters to help increase or decrease drive end size.
- › Do not use hand adapters with power tools.
- › Do not over torque small sockets when using them with adapters on large drive tools.

Product #	Size (in)	Overall Length (in) (L)	Weight (lbs)
J15007	1-1/2" F x 1" M	4-3/16	5.03
J10004	1" F x 1-1/2" M	3-1/2	2.64

ASME B107.2



1-1/2" DRIVE IMPACT ADAPTER - MALE SPLINE

- › Use adapters to help increase or decrease drive end size.
- › Do not use hand adapters with power tools.
- › Do not over torque small sockets when using them with adapters on large drive tools.

Product #	Size (in)	Overall Length (in) (L)	Weight (lbs)
J15005	1-1/2" F x #5 SPL. M	5-3/8	5.94



1-1/2" DRIVE IMPACT EXTENSIONS

- › Drive end chamfer and four detents help provide quick positive engagement with drive tool on any of the socket drive walls.
- › Tight tolerances for snug fit on fastener.
- › Large clearance holes, concentric opening and nut end chamfer make it easy to position socket on fasteners.
- › Made from high-strength steel to help minimize wall thickness and provide access to fasteners in recesses and where nuts and bolts protrude.
- › Impact sockets are used wherever powered drive tools are used to install or remove fasteners.
- › Impact sockets are designed to withstand the high torque and force associated with impact tools in repetitive application.
- › Use extensions to gain access to fasteners in locations that would otherwise be difficult to reach.
- › Male square is oriented in line with female squares for use with fixed head torque wrenches.
- › Full chamfer at drive opening (when applicable) for easy engagement with drive tools.

Product #	Overall Length (in) (L)	Weight (lbs)
J15097P	8	9.17
J15098P	12	12.66
J15099P	15	15.58



1-1/2" DRIVE RETAINING RINGS

- › Large drive size crush gauge retaining ring.
- › Part numbers are embossed on the rings near the point at which the pin and ring meet.



Product #	Description	For Groove Dia. (in)	Diameter (in)	Height (in)	Weight (lbs)
JRR15046	Retaining Ring, CG 1-1/2" DR 2-7/8 Groove	2-7/8	3-3/8	1/4	0.03
JRR15054	Retaining Ring, CG 1-1/2" DR 3-3/8 Groove	3-3/8	3-7/8	1/4	0.03
JRR15062	Retaining Ring, CG 1-1/2" DR 3-7/8 Groove	3-7/8	4-3/8	1/4	0.04
JRR15070	Retaining Ring, CG 1-1/2" DR 4-3/8 Groove	4-3/8	4-7/8	1/4	0.04

2-1/2" DRIVE IMPACT SOCKETS - 6 POINT

- › Proto® 6 Point Impact Sockets are ideal for use on stubborn or damaged fasteners, and also on fasteners made from soft materials.
- › TorquePlus™ features apply.



Product #	Size (in) (A)	Nut End Outside Dia. (in) (B)	Drive End Outside Dia. (in) (C)	Nut Depth (in) (D)	Bolt Clearance Depth (in) (E)	Overall Length (in) (L)	Weight (lbs)
J25028	1-3/4	4-3/16	5	1-1/8	2-7/8	5-3/8	21.08
J25030	1-7/8	4-5/16	5	1-3/16	2-7/8	5-3/8	20.97
J25032	2	4-3/8	5	1-1/4	2-7/8	5-3/8	20.80
J25034	2-1/8	4-1/2	5	1-3/8	2-7/8	5-3/8	20.59
J25036	2-1/4	4-9/16	5	1-7/16	3	5-1/2	21.06
J25038	2-3/8	4-5/8	5	1-1/2	3	5-1/2	20.85
J25040	2-1/2	4-3/4	5	1-9/16	3	5-1/2	20.65
J25041	2-9/16	4-3/4	5	1-5/8	3	5-1/2	20.61
J25042	2-5/8	4-13/16	5	1-11/16	3	5-1/2	20.53
J25044	2-3/4	4-15/16	5	1-3/4	3-1/8	5-5/8	20.89
J25046	2-7/8	5	5	1-13/16	3-1/8	5-5/8	20.87
J25047	2-15/16	5-1/16	5-1/16	1-7/8	3-1/8	5-5/8	21.16
J25048	3	5-1/8	5-1/8	2	3-1/8	5-5/8	21.30
J25050	3-1/8	5-3/16	5-3/16	2	3-1/4	5-3/4	22.63
J25052	3-1/4	5-5/16	5-5/16	2-1/16	3-1/4	5-3/4	23.79
J25054	3-3/8	5-7/16	5-7/16	2-1/8	3-1/4	5-3/4	24.84
J25055	3-7/16	5-1/2	5-1/2	2-3/16	3-1/4	5-3/4	25.29
J25056	3-1/2	5-9/16	5-9/16	2-1/4	3-1/4	5-3/4	25.77
J25058	3-5/8	5-11/16	5-11/16	2-5/16	3-1/4	5-3/4	26.99
J25060	3-3/4	5-13/16	5-13/16	2-3/8	3-3/4	6-1/4	31.04
J25062	3-7/8	5-15/16	5-15/16	2-1/2	3-3/4	6-1/4	32.27
J25064	4	6-1/16	6-1/16	2-1/2	3-3/4	6-1/4	33.70
J25066	4-1/8	6-3/16	6	2-5/8	3-3/4	6-1/4	34.69
J25068	4-1/4	6-5/16	6	2-3/4	4-1/4	6-3/4	37.32
J25070	4-3/8	6-7/16	6	2-3/4	4-1/4	6-3/4	38.04
J25072	4-1/2	6-9/16	6	2-7/8	4-1/2	7	40.41
J25074	4-5/8	6-11/16	6	3	4-1/2	7	40.54
J25076	4-3/4	6-13/16	6	3	4-1/2	7	41.29
J25078	4-7/8	6-15/16	6	3	4-3/4	7-1/4	42.94
J25080	5	7-1/16	6	3-3/16	5	7-1/2	45.46
J25082	5-1/8	7-1/4	6	3-5/16	5	7-1/2	46.12
J25084	5-1/4	7-3/8	6	3-5/16	5	7-1/2	47.47
J25086	5-3/8	7-1/2	6	3-3/8	5-1/4	7-3/4	50.48
J25087	5-7/16	7-9/16	6	3-7/16	5-1/4	7-3/4	50.92
J25088	5-1/2	7-5/8	6	3-1/2	5-1/4	7-3/4	51.41



Product #	Size (in) (A)	Nut End Outside Dia. (in) (B)	Drive End Outside Dia. (in) (C)	Nut Depth (in) (D)	Bolt Clearance Depth (in) (E)	Overall Length (in) (L)	Weight (lbs)
J25090	5-5/8	7-13/16	6	3-9/16	5-1/4	7-3/4	52.50
J25092	5-3/4	7-15/16	6	3-5/8	5-1/4	7-3/4	53.43
J25094	5-7/8	8-1/16	6	3-3/4	5-1/4	7-3/4	53.75
J25096	6	8-1/4	6	3-13/16	5-3/8	7-7/8	56.13
J25098	6-1/8	8-3/8	6	3-7/8	5-3/8	7-7/8	56.72
J25100	6-1/4	8-1/2	6	3-7/8	5-3/8	7-7/8	57.61
J25102	6-3/8	8-11/16	6	4	5-1/2	8	59.32
J25104	6-1/2	8-13/16	6	4	5-1/2	8	60.35
J25106	6-5/8	8-15/16	6-1/2	4-1/4	5-1/2	8	63.91
J25108	6-3/4	9-1/8	6-1/2	4-1/4	5-1/2	8	64.60
J25110	6-7/8	9-1/4	6-1/2	4-5/16	5-1/2	8	65.05
J25112	7	9-3/8	6-1/2	4-5/16	5-1/2	8	66.10
J25114	7-1/8	9-9/16	6-1/2	4-5/16	5-1/2	8	67.21
J25116	7-1/4	9-11/16	6-1/2	4-5/16	6	8-1/2	75.16
J25118	7-3/8	9-13/16	6-1/2	4-5/16	6	8-1/2	76.28
J25120	7-1/2	10	6-1/2	4-5/16	6	8-1/2	77.24
J25122	7-5/8	10-1/8	6-1/2	4-5/16	6	8-1/2	77.98
J25124	7-3/4	10-1/4	6-1/2	4-5/16	6	8-1/2	78.65
J25126	7-7/8	10-3/8	6-1/2	4-5/16	6-1/4	8-3/4	84.00
J25128	8	10-9/16	6-1/2	4-5/16	6-1/4	8-3/4	86.44

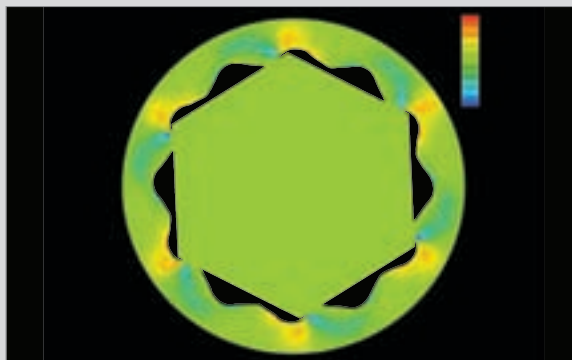
2-1/2" DRIVE RETAINING PIN

- › Large drive size crush gauge retaining ring.
- › Part numbers are embossed on the rings near the point at which the pin and ring meet.

Product #	Description	For Groove Dia. (in)	Diameter (in)	Height (in)	Weight (lbs)
JRP25000	Retaining Pin, 2-1/2" DR	2	4-1/2	1/2	0.21

PRODUCT FEATURES AND BENEFITS —

- › High performance drive configuration allows for quick and easy socket engagement to the fastener flats, not the corners.
- › Employs a radius-corner design, shifting contact area and stress away from the fastener corners and distributing contact stresses over a large area of the socket, minimizing slippage.
- › The internal design minimizes fastener rounding, helps to extend fastener life, and allows the user to more easily turn worn, rounded, or rusted fasteners.



#5 SPLINE DRIVE IMPACT SOCKETS - 6 POINT

- › Proto® 6 Point Impact Sockets are ideal for use on stubborn or damaged fasteners, and also on fasteners made from soft materials.
- › TorquePlus™ features apply.



Product #	Size (in) (A)	Nut End Outside Dia. (in) (B)	Drive End Outside Dia. (in) (C)	Nut Depth (in) (D)	Bolt Clearance Depth (in) (E)	Overall Length (in) (L)	Weight (lbs)
J09915	15/16	1-5/8	2-3/8	19/32	1-1/2	3	1.94
J09916	1	1-11/16	2-3/8	5/8	1-1/2	3-1/8	1.91
J09917	1-1/16	1-11/16	2-3/8	43/64	1-1/2	3-1/8	1.92
J09918	1-1/8	1-7/8	2-3/8	23/32	1-1/2	3-1/4	2.09
J09919	1-3/16	1-7/8	2-3/8	3/4	1-1/2	3-1/4	2.10
J09920	1-1/4	2-3/8	2-3/8	25/32	1-1/2	3-1/4	2.21
J09921	1-5/16	2-3/8	2-3/8	53/64	1-5/8	3-1/4	2.23
J09922	1-3/8	2-3/8	2-3/8	55/64	1-5/8	3-3/8	2.23
J09923	1-7/16	2-1/2	2-3/8	29/32	29/32	3-3/8	2.43
J09924	1-1/2	2-1/2	2-3/8	15/16	15/16	3-3/8	2.46
J09925	1-9/16	2-3/4	2-3/8	63/64	63/64	3-1/2	2.69
J09926	1-5/8	2-3/4	2-3/8	1-1/64	1-1/64	3-5/8	2.94
J09927	1-11/16	2-15/16	2-3/8	1-27/64	2-1/8	3-5/8	2.95
J09928	1-3/4	2-15/16	2-3/8	1-7/64	1-27/64	3-47/64	3.11
J09929	1-13/16	3-1/8	2-3/8	1-1/8	1-27/64	3-7/16	3.27
J09930	1-7/8	3-1/8	2-3/8	1-3/16	1-1/2	3-17/32	3.25
J09931	1-15/16	3-1/8	2-3/8	1-1/4	1-1/2	3-17/32	3.43
J09932	2	3-1/4	2-3/8	1-1/4	1-15/32	3-17/32	3.66
J09933	2-1/16	3-1/4	2-3/8	1-19/32	2-1/8	4	3.89
J09934	2-1/8	3-1/2	2-3/8	1-37/64	2-1/8	3-11/16	4.63
J09935	2-3/16	3-1/2	2-3/8	1-3/8	1-39/64	3-3/4	4.28
J09936	2-1/4	3-1/2	2-3/8	1-1/2	1-23/32	4-3/16	4.52
J09937	2-5/16	3-1/2	2-3/8	1-23/32	2-7/16	3-57/64	4.44
J09938	2-3/8	3-3/4	2-3/8	1-11/16	2-7/16	3-57/64	4.80
J09939	2-7/16	3-3/4	2-3/8	1-25/32	2-13/16	4	5.29
J09940	2-1/2	3-3/4	2-3/8	1-53/64	2-13/16	4-3/8	5.11
J09941	2-9/16	3-3/4	2-3/8	1-5/8	1-55/64	4-3/8	6.45
J09942	2-5/8	4-1/8	2-3/8	1-59/64	2-13/16	4-1/2	6.68
J09944	2-3/4	4-1/4	2-3/8	1-3/4	1-59/64	4-1/4	6.89
J09947	2-15/16	4-1/2	2-3/8	2-5/32	3	4-13/16	8.22
J09948	3	4-1/2	2-3/8	2	2-13/64	4-39/64	7.93
J09950	3-1/8	4-3/4	2-3/8	2	2-13/64	4-39/64	7.95



#5 SPLINE DRIVE IMPACT ADAPTERS - MALE SQUARE

- › Use adapters to help increase or decrease drive end size.
- › Do not use hand adapters with power tools.
- › Do not over torque small sockets when using them with adapters on large drive tools.

Product #	Size (in)	Overall Length (in) (L)	Weight (lbs)
J09902	#5 SPL. F x 1" Sq. M	4-3/8	2.16
J09904	#5 SPL. F x 1-1/2" Sq. M	5	2.74

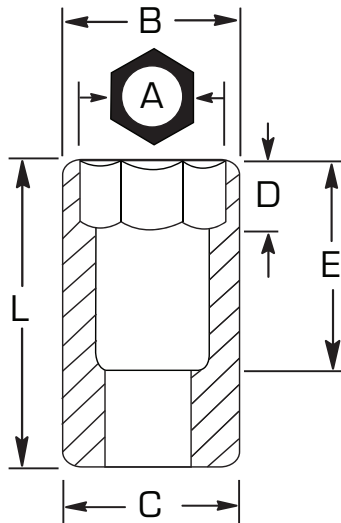


#5 SPLINE DRIVE BUDD WHEEL DEEP IMPACT SOCKET

- › Proto® 6 Point Impact Sockets are ideal for use on stubborn or damaged fasteners, and also on fasteners made from soft materials.
- › TorquePlus™ features apply.



Product #	Size (in) (A)	Nut End Outside Dia. (in) (B)	Drive End Outside Dia. (in) (C)	Overall Length (in) (L)	Weight (lbs)
J09924-LS	1-1/2	2-3/8	2-3/8	4-3/16	3.10



1/4" DRIVE HIGH STRENGTH MAGNETIC POWER SOCKETS - 6 POINT

- › ProtoGrip™ Magnetic Sockets use high-strength magnets made from a rare earth magnet alloy/nylon blend.
- › ProtoGrip™ Magnetic Sockets require no bushings to hold the magnet in place. Allows room for more magnet material, helping increase total magnetic strength.
- › Designed to easily pick up heavy fasteners and hold them tightly during use.
- › Strong magnetic hold helps increase efficiency when installing fasteners in awkward or hard-to-reach locations.
- › Power sockets with high surface hardness are used in high-speed assembly operations. Ideal for nut runners.
- › Socket size stamped on tool for easy identification.
- › Side locking hole.



Product #	Size (in) (A)	Nut End Outside Dia. (in) (B)	Drive End Outside Dia. (in) (C)	Nut Depth (in) (D)	Overall Length (in) (L)	Weight (lbs)
J6906PF	3/16	5/16	1/2	5/32	7/8	0.03
J6908PF	1/4	25/64	1/2	11/64	7/8	0.03
J6910PF	5/16	1/2	1/2	13/64	15/16	0.04
J6911PF	11/32	33/64	33/64	7/32	15/16	0.04
J6912PF	3/8	9/16	9/16	15/64	15/16	0.05
J6914PF	7/16	21/32	21/32	1/4	1	0.07
J6916PF	1/2	11/16	11/16	1/4	1	0.08



ASME B107.2

1/4" DRIVE METRIC HIGH STRENGTH MAGNETIC POWER SOCKETS - 6 POINT

METRIC

- › ProtoGrip™ Magnetic Sockets use high-strength magnets made from a rare earth magnet alloy/nylon blend.
- › ProtoGrip™ Magnetic Sockets require no bushings to hold the magnet in place. Allows room for more magnet material, helping increase total magnetic strength.
- › Designed to easily pick up heavy fasteners and hold them tightly during use.
- › Strong magnetic hold helps increase efficiency when installing fasteners in awkward or hard-to-reach locations.
- › Socket size stamped on tool for easy identification.
- › Side locking hole.
- › Power sockets with high surface hardness are used in high-speed assembly operations. Ideal for nut runners.



Product #	Size (mm) (A)	Nut End Outside Dia. (in) (B)	Drive End Outside Dia. (in) (C)	Nut Depth (in) (D)	Overall Length (in) (L)	Weight (lbs)
J6905MPF	5	5/16	1/2	5/32	7/8	0.03
J69055MPF	5.5	23/64	1/2	5/32	7/8	0.03
J6906MPF	6	25/64	1/2	11/64	7/8	0.03
J6907MPF	7	7/16	1/2	11/64	15/16	0.04
J6908MPF	8	1/2	1/2	11/64	15/16	0.04
J6909MPF	9	33/64	33/64	13/64	15/16	0.04
J6910MPF	10	9/16	9/16	7/32	15/16	0.05
J6911MPF	11	5/8	5/8	17/64	1	0.06
J6912MPF	12	11/16	11/16	9/32	1	0.08
J6913MPF	13	47/64	47/64	19/64	1	0.09



ASME B107.33



3/8" DRIVE HIGH STRENGTH MAGNETIC POWER SOCKETS - 6 POINT

- ▶ ProtoGrip™ Magnetic Sockets use high-strength magnets made from a rare earth magnet alloy/nylon blend.
- ▶ ProtoGrip™ Magnetic Sockets require no bushings to hold the magnet in place. This allows room for more magnet material, helping increase total magnetic strength.
- ▶ Designed to easily pick up heavy fasteners and hold them tightly during use.
- ▶ Strong magnetic hold helps increase efficiency when installing fasteners in awkward or hard-to-reach locations.
- ▶ Power sockets with high surface hardness are used in high-speed assembly operations. Ideal for nut runners.



Product #	Size (in) (A)	Nut End Outside Dia. (in) (B)	Drive End Outside Dia. (in) (C)	Nut Depth (in) (D)	Overall Length (in) (L)	Weight (lbs)
J7210PF	5/16	1/2	11/16	3/16	1-3/32	0.08
J7212PF	3/8	39/64	11/16	15/64	1-3/32	0.09
J7214PF	7/16	11/16	11/16	1/4	1-3/16	0.08
J7216PF	1/2	3/4	3/4	9/32	1-3/16	0.10
J7218PF	9/16	13/16	13/16	21/64	1-3/16	0.11



ASME B107.2

3/8" DRIVE METRIC HIGH STRENGTH MAGNETIC POWER SOCKETS - 6 POINT



- ▶ ProtoGrip™ Magnetic Sockets use high-strength magnets made from a rare earth magnet alloy/nylon blend.
- ▶ ProtoGrip™ Magnetic Sockets require no bushings to hold the magnet in place. This allows room for more magnet material, helping increase total magnetic strength.
- ▶ Designed to easily pick up heavy fasteners and hold them tightly during use.
- ▶ Strong magnetic hold helps increase efficiency when installing fasteners in awkward or hard-to-reach locations.
- ▶ Power sockets with high surface hardness are used in high-speed assembly operations. Ideal for nut runners.



Product #	Size (mm) (A)	Nut End Outside Dia. (in) (B)	Drive End Outside Dia. (in) (C)	Nut Depth (in) (D)	Overall Length (in) (L)	Weight (lbs)
J7207MPF	7	31/64	11/16	11/64	1-3/32	0.08
J7208MPF	8	1/2	11/16	7/32	1-3/32	0.07
J7210MPF	10	5/8	11/16	7/32	1-9/64	0.08
J7211MPF	11	11/16	11/16	17/64	1-9/64	0.08
J7212MPF	12	47/64	47/64	9/32	1-9/64	0.10
J7213MPF	13	3/4	3/4	19/64	1-13/64	0.10
J7215MPF	15	55/64	55/64	21/64	1-13/64	0.14



ASME B107.33M

1/2" DRIVE HIGH STRENGTH MAGNETIC POWER SOCKETS - 6 POINT

- ▶ ProtoGrip™ Magnetic Sockets use high-strength magnets made from a rare earth magnet alloy/nylon blend.
- ▶ ProtoGrip™ Magnetic Sockets require no bushings to hold the magnet in place. This allows room for more magnet material, helping increase total magnetic strength.
- ▶ Designed to easily pick up heavy fasteners and hold them tightly during use.
- ▶ Strong magnetic hold helps increase efficiency when installing fasteners in awkward or hard-to-reach locations.
- ▶ Power sockets with high surface hardness are used in high-speed assembly operations. Ideal for nut runners.



Product #	Size (in) (A)	Nut End Outside Dia. (in) (B)	Drive End Outside Dia. (in) (C)	Nut Depth (in) (D)	Overall Length (in) (L)	Weight (lbs)
J7412PF	3/8	47/64	15/16	15/16	1-1/2	0.18
J7414PF	7/16	47/64	15/16	1/4	1-1/2	0.18
J7416PF	1/2	51/64	15/16	17/64	1-1/2	0.20
J7418PF	9/16	15/16	15/16	21/64	1-1/2	0.20



ASME B107.2