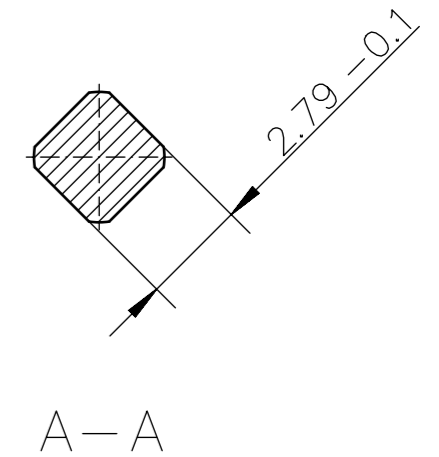
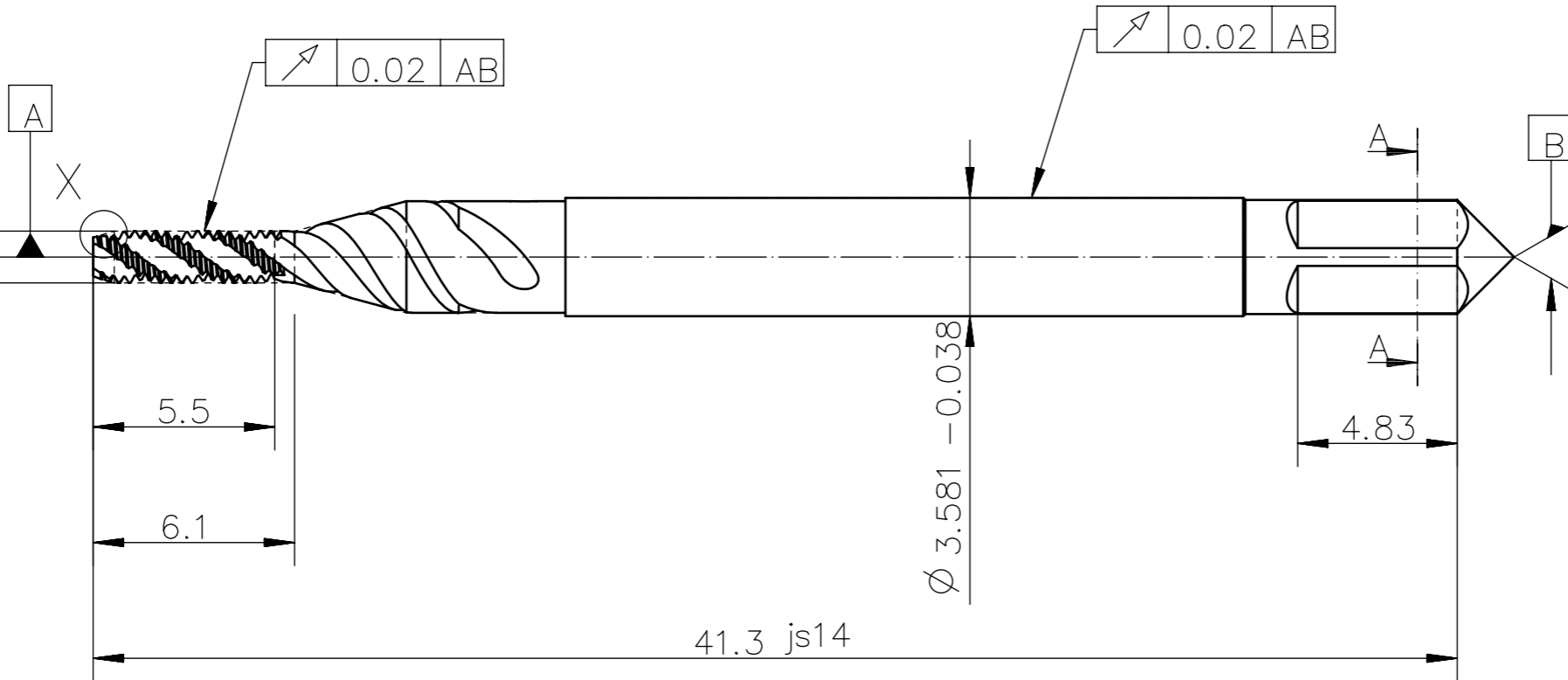


No. 0-80 UNF-3B/GH2



Characteristics:	
Flutes	3
Thread direction	right
Spiral angle	40
Type of lead	C
Standard	ANSI B94.9

Qty.	Description	Det.	Dwg. No.	Material	
Proprietary Information DIN ISO 16016:2002-5				Scale: 5:1	
We reserve all Rights to this drawing including for the purpose of issuing patents and registration of petty patents. Without our written consent this drawing may not be copied, whole or partially, and may not be misused by the recipient as well as third parties. Any infraction will result in compensation for occurred damages and could lead to legal action by the author.				Format: A3	
				Material: HSS-E	
				Surface: vap	
		Date	Name	Description: PARADUR INOX No. 0 - 80 UNF-3B/GH2	
		Drawn	15.12.11		PROTOTYP
		Checked			
				Drawing-No.:	
				1A23503-5080814	D10
Rev.	Revision	Date	Name	Cust. No.:	
				Ord.-Code: A23503-UNF0	