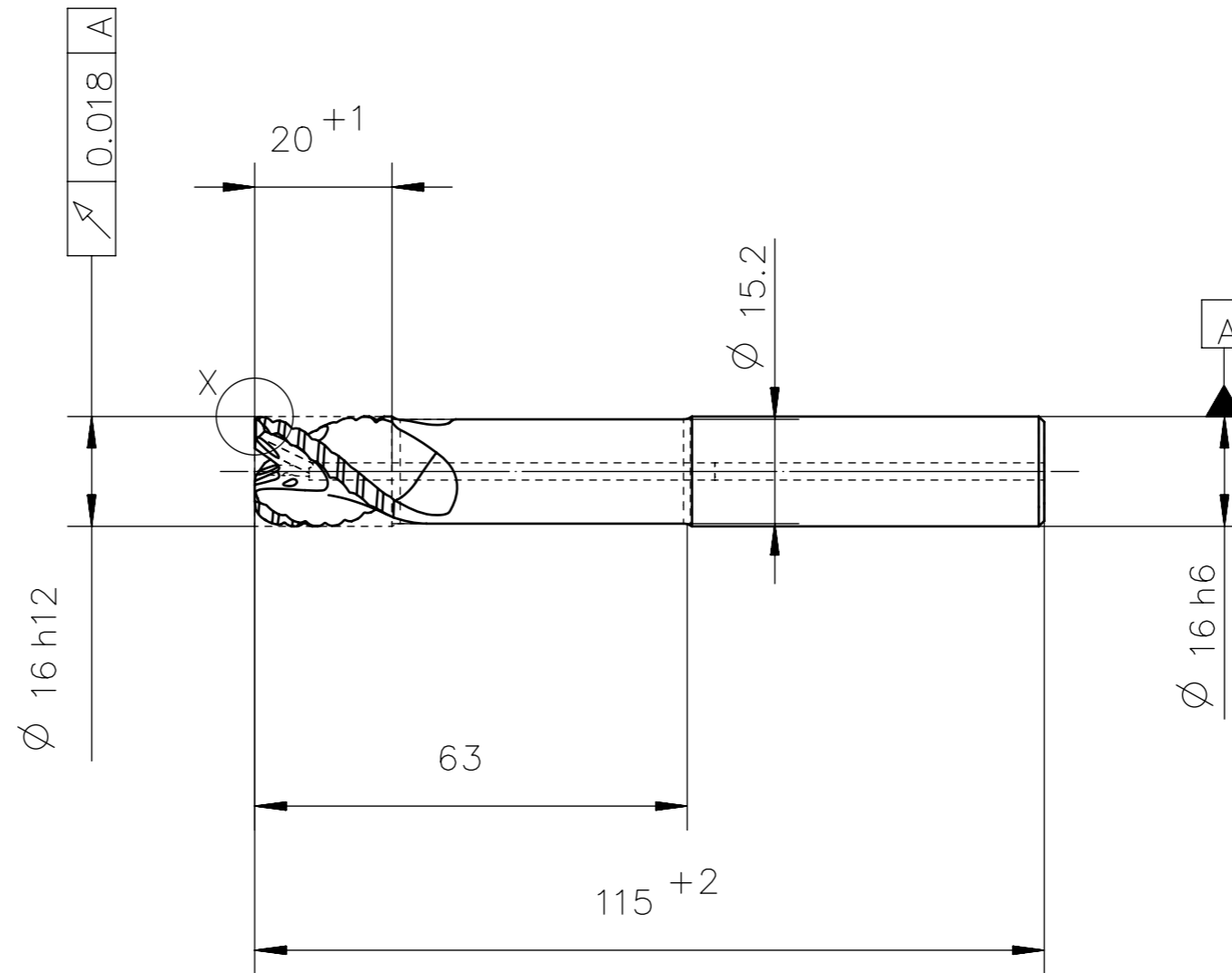


X



center cut

2:1

Characteristics:	
Number of teeth	3
Cutting direction	right
Spiral direction	right
Spiral angle	40
Type of face	center cut
Type of shank	DIN 6535 HA

Qty.	Description	Det.	Dwg. No.	Material	
Proprietary Information DIN ISO 16016:2002-5				Scale: 1:1	
We reserve all Rights to this drawing including for the purpose of issuing patents and registration of petty patents. Without our written consent this drawing may not be copied, whole or partially, and may not be misused by the recipient as well as third parties. Any infraction will result in compensation for occurred damages and could lead to legal action by the author.				Format: A3	
				Material: B1008	
				Surface:	
		Date	Name	Description: Protostar AL KORDEL G40 16 x 20	
		Drawn	09.01.12		PROTOTYP
		Checked			
		WALTER PROTOTYP		Drawing-No.:	
				1H608871-5083456	
				D10	
Rev.	Revision	Date	Name	Cust. No.:	
				Ord.-Code: H608871-16	