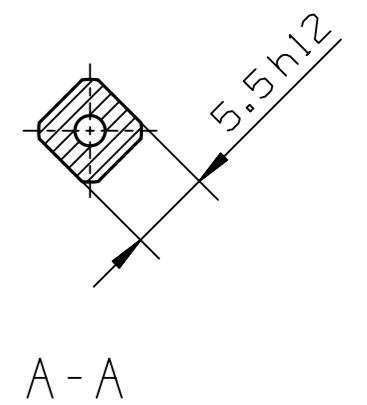
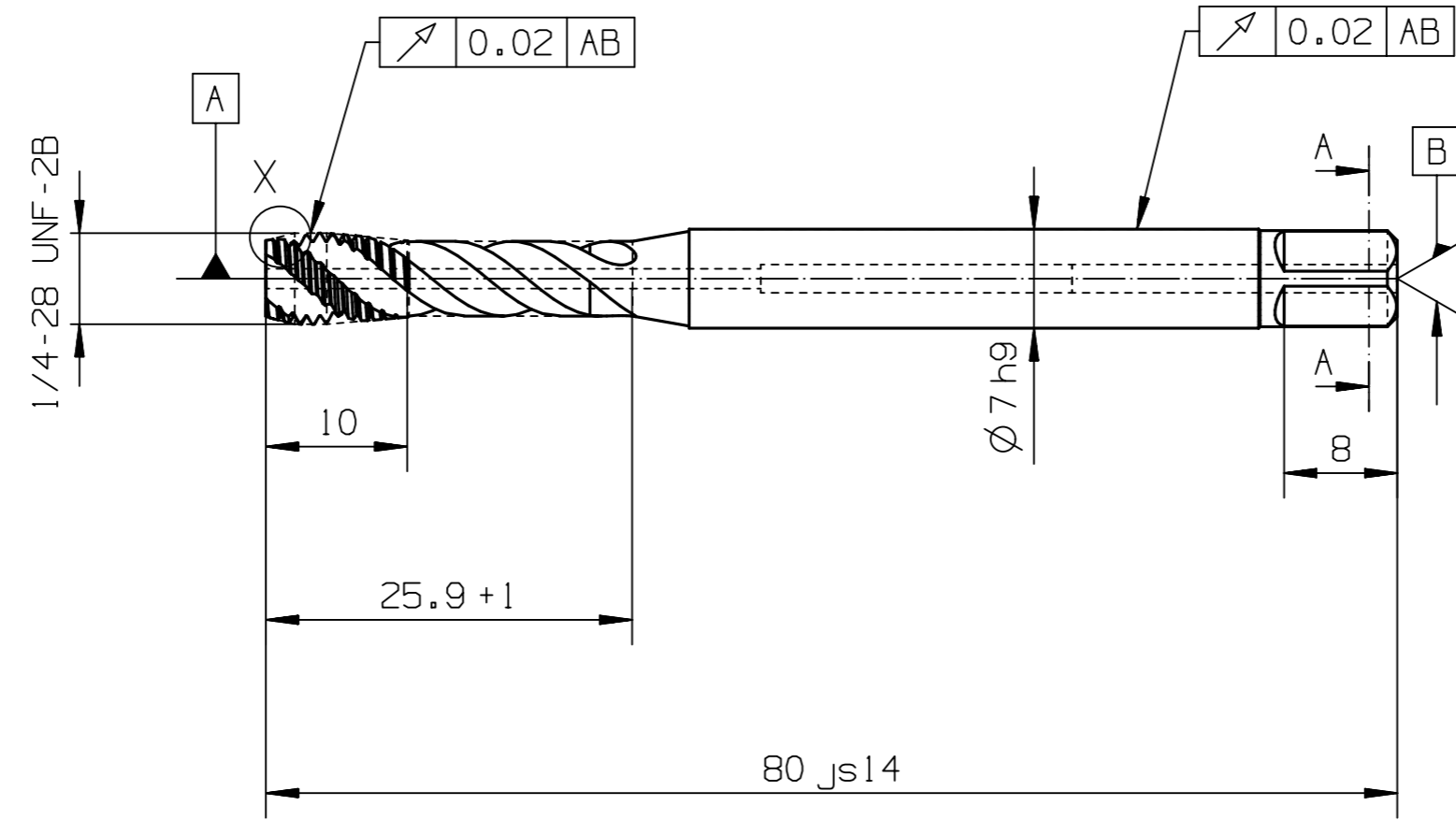


1- starter
not scaled



Characteristics Tap:	
Flutes	3
Thread direction	right
Spiral angle	45
Type of lead	C
Standard	DIN 2184-1
Coolant outlet	KA axial

Qty.	Description	Det.	Dwg. No.	Material
	Proprietary Information DIN ISO 16016:2002-5			Scale: 2:1
	We reserve all Rights to this drawing including for the purpose of issuing patents and registration of petty patents. Without our written consent this drawing may not be copied, whole or partially, and may not be misused by the recipient as well as third parties. Any infraction will result in compensation for occurred damages and could lead to legal action by the author.			Format: A3
				Material: HSS-E-PM
				Surface: THL
				Description:
				Paradur Eco Plus
				1/4 - 28 UNF-2B
				Drawing-No.:
				EP2351312-6245693
				D10
				Ord.-Code: EP2351312-UNF1/4
Rev.	Revision	Date	Name	Cust. No.:

