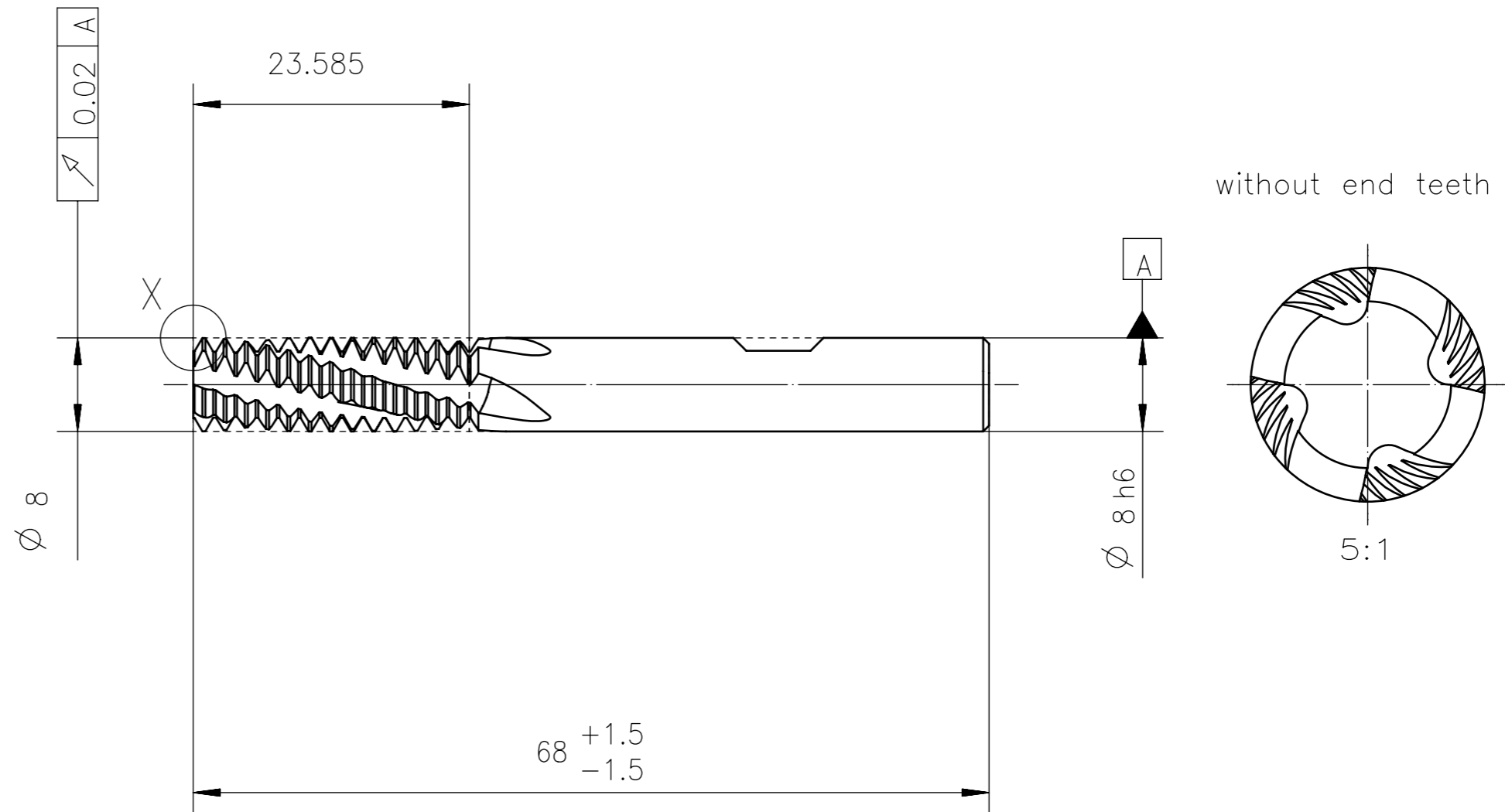


X



| Characteristics: | |
|-------------------|-------------------|
| Number of teeth | 4 |
| Cutting direction | right |
| Spiral direction | right |
| Spiral angle | 20 |
| Type of face | without end teeth |
| Type of shank | DIN 6535 HB |

| Qty. | Description | Det. | Dwg. No. | Material |
|------|--|------|----------|--|
| | Proprietary Information DIN ISO 16016:2002-5 <small>We reserve all Rights to this drawing including for the purpose of issuing patents and registration of petty patents. Without our written consent this drawing may not be copied, whole or partially, and may not be misused by the recipient as well as third parties. Any infraction will result in compensation for occurred damages and could lead to legal action by the author.</small> | | | Scale: 2:1 Format: A3 |
| | | | | Grade: WJ30RC |
| | | | | Description: TC611 Thread milling cutter 8 x 23.585 / 1.814 Internal |
| | | | | Drawing-No.: H5249108-6580361 D10 |
| | | | | Ord.-Code: TC611-UNC7/16-W0-WJ30RC |
| Rev. | Revision | Date | Name | Cust. No.: |

