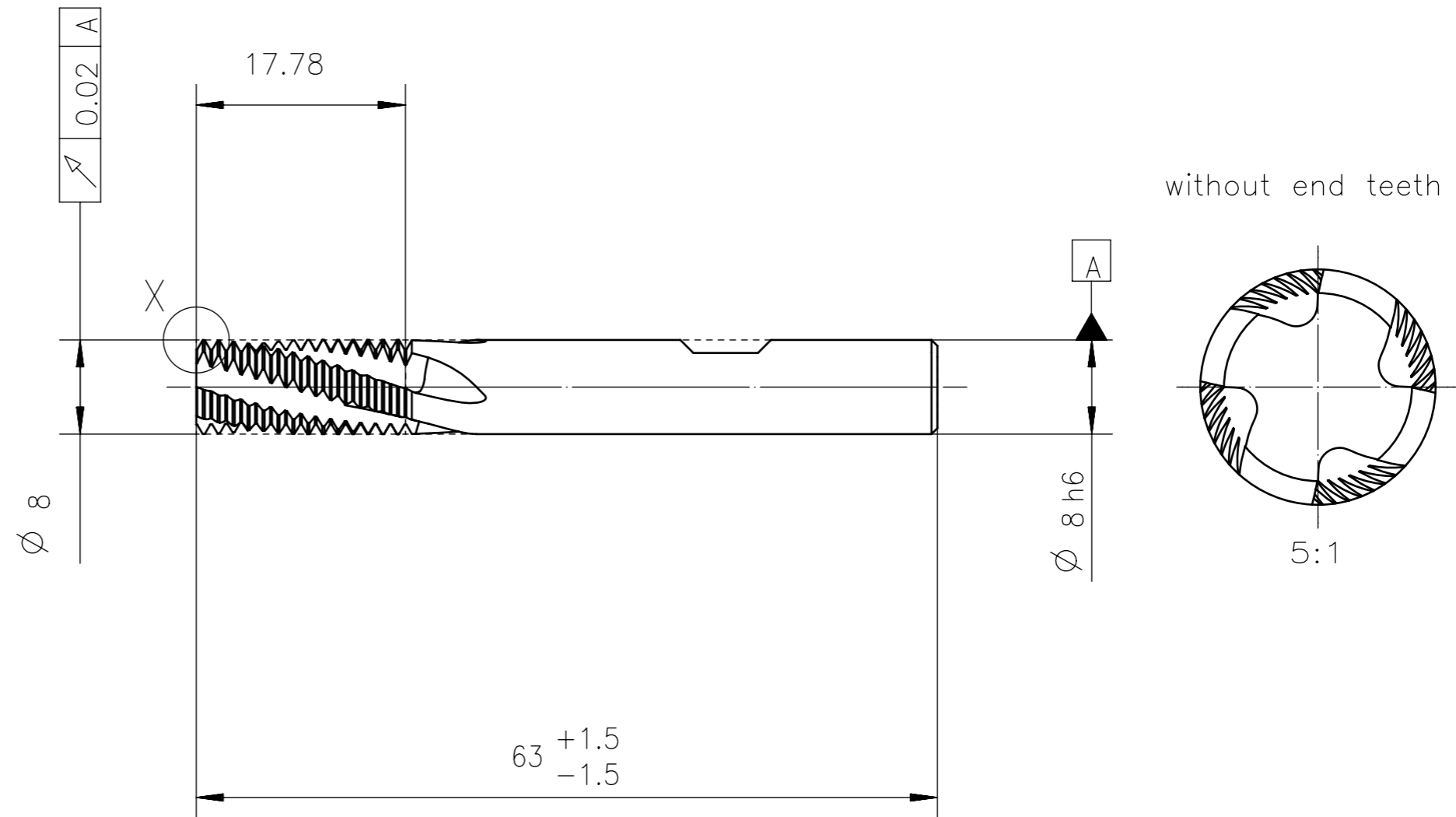


X



Characteristics:	
Number of teeth	4
Cutting direction	right
Spiral direction	right
Spiral angle	20
Type of face	without end teeth
Type of shank	DIN 6535 HB

Qty.	Description	Det.	Dwg. No.	Material
	Proprietary Information DIN ISO 16016:2002-5 We reserve all Rights to this drawing including for the purpose of issuing patents and registration of petty patents. Without our written consent this drawing may not be copied, whole or partially, and may not be misused by the recipient as well as third parties. Any infraction will result in compensation for occurred damages and could lead to legal action by the author.			Scale: 2:1 Format: A3
				Grade: WJ30RC
				Description: TC610 Thread milling cutter 8 x 17.78 / 1.270 Internal
				Drawing-No.: H5339108-6580372 D10
				Ord.-Code: TC610-UNF7/16-W0-WJ30RC
Rev.	Revision	Date	Name	Cust. No.:

