

THIS OPERATING MANUAL CONTAINS IMPORTANT SAFETY INFORMATION. READ CAREFULLY AND UNDERSTAND ALL INFORMATION BEFORE OPERATING TOOL. SAVE THIS MANUAL FOR FUTURE USE.



ASSEMBLY INSTRUCTIONS

Remove contents from box and ensure all components are included.

- 1) Insert feet with protective sleeves (#13) into their respective tubes welded at the end of both support tubes (#1, 2). Make sure the feet are fully inserted into their respective tubes and secure.
- 2) Slide transfer tube adapter (#11) over the end of the small support tube (#2) as shown in parts drawing with short tube toward you and in the vertical position and then insert the small support tube (#2) into the large support tube (#1). The transfer adapter will be used for mounting the transfer tube (#10) when needed or J-hook (#3) when the transfer tube is not used.

NOTE: The 030344 Transverse Engine Support Bar may be used with or without transfer tube, depending on the load being supported.

- 3) If mounting the transfer tube (#10) to assist with an unbalanced load, insert the adjustable pipe (#6) with the rubber tip up through the large hole at either end of the transfer tube (#10) and secure in place with hex bolt (#9) and wing nut (#8). Hand tighten the wing nut as height adjustment may be necessary once the Transverse Engine Support Bar is placed over the engine compartment of the vehicle.

- 4) Determine the length of transfer tube needed to ensure correct placement of the adjustable pipe (#6) and to properly assist in supporting the load, insert hex bolt (#5) down through the transfer tube (#10) and the short tube of the transfer adapter (#11) to fix transfer tube in place on the small support beam. Secure bolt with wing nut (#4). Again, hand tighten wing nut (#4), as some length adjustment may be required once the Transverse Engine Support Bar is placed in position over engine compartment of the vehicle.

- 5) It is recommended to install the two J-hooks (#3) prior to placing the Transverse Engine Support Bar over the engine, as it may be difficult to do so after it is in place due to limited space. Insert one J-hook up through the bottom of short tube welded on the center portion of the large support beam (#1) and secure with barrel hex nut (#7). Run hex nut (#7) all the way down to end of threads toward the hook portion of the J-hook to hold it out of the way until needed. Then, locate the best position for the second J-hook and install in the same manner. The second J-hook may be installed in either the transfer tube (#10) as shown in the parts drawing (if the transfer tube is used), or through the short tube welded on the adjustable transfer adapter (#11) (if the transfer tube is not used).



USING THE ENGINE TRANSVERSE BAR

6) Determine the location of the two engine support bolts to which the Transverse Engine Support Bar will be attached. Place the Transverse Engine Support Bar directly over these two engine support bolts, making sure that the feet with protective sleeves (#13) are sitting in the inner fender lips of the engine compartment and fully extended until the feet are touching the inside of the fenders.

CAUTION: If the inside fender lips are more than 61" apart, the Transverse Engine Support Bar must not be used. Do not extend past the designated marking (61") as overextending this unit may compromise the 700lb. capacity. This could cause the Transverse Engine Support Bar to collapse, resulting in bodily injury or property damage.

7) Next, make sure the transfer tube is in correct position (if being used). The rubber tip of the adjustable pipe (#6) should be on a flat, reinforced surface capable of supporting the weight of the engine. Tighten both wing nuts (#4, 8) to secure adjustable pipe (#6) and transfer tube (#10).

8) Now, the J-hooks (#3) may be lowered to the appropriate position. Be sure J-hooks are directly over the engine support bolts or brackets so the engine does not swing when vehicle is disassembled.

9) Attach the looped ends of the two 1/8" braided steel cables (#12) to the engine support bolts on the engine and loop middle of braided cables over J-hooks.

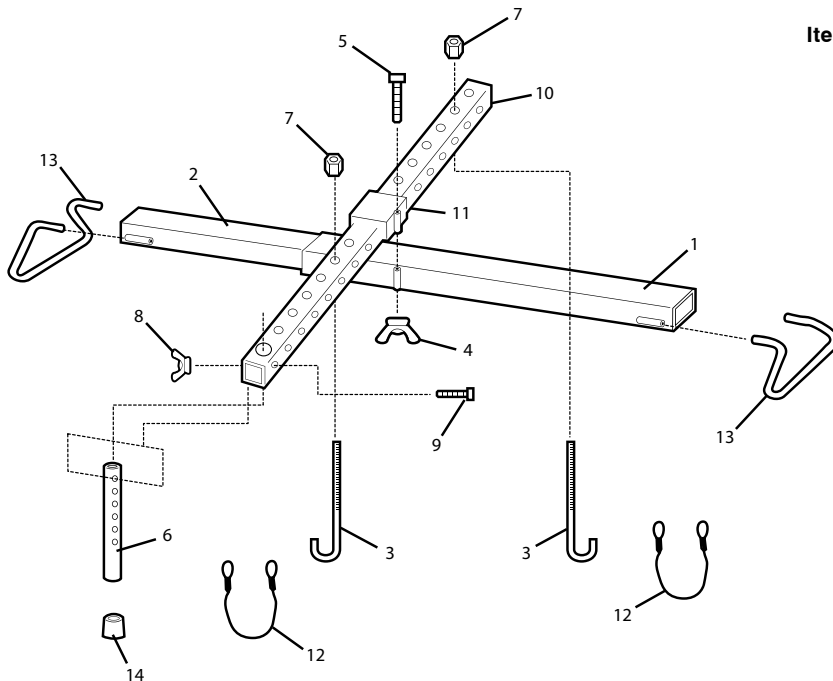
NOTE: Use only fasteners rated Grade 5 or higher as engine support bolts.

10) If the engine being supported is equipped with engine lift brackets, hook the J-hooks directly into engine lift brackets for extra protection.

11) Tighten the barrel hex nuts (#7) on both J-hooks until cables are snug or hex nuts are tight against support tube.

12) Double check that engine is properly supported before disassembly of vehicle.

13) NEVER WORK UNDER THE SUSPENDED LOAD FOR ANY REASON.



Item No.	Part No.	Description	Qty
1	PCN-239P01	Support Beam (Large)	1
2	PCN-239P02	Support Beam (Small)	1
3	PCN-239HDWK	"J" Hooks	2
4	PCN-239HDWK	Wing Nut M12	1
5	PCN-239HDWK	Hex Bolt M12 x 120	1
6	PCN-239HDWK	Adjustable Pipe with part #14 Rubber Tip	1
7	PCN-239HDWK	Barrel Hex Nut	2
8	PCN-239HDWK	Wing Nut M10	1
9	PCN-239P010	Hex Bolt M10 x 65	1
10	PCN-239P011	Transfer Bar	1
11	PCN-239P012	Transfer Adapter	1
12	PCN-239P013	Braided Steel Wire	2
13	PCN-239P014	Feet with Sleeve (Set of Two)	1
14	PCN-239P06	Rubber Tip	1

BRANCHES

Vancouver
3260 Production Way
Burnaby, BC V5A 4W4
Tel: (604) 444-5300
Toll Free: 1-800-472-7685
Fax: (604) 444-9227
Toll Free: 1-800-663-7742

Edmonton
5239 - 86th Street
Edmonton, AB T6E 6T1
Toll Free:
Tel: 1-800-472-7685
Fax: 1-800-663-7742

Winnipeg
951 Powell Avenue
Winnipeg, MB R3H 0H4
Tel: (204) 632-6970
Toll Free: 1-800-665-7524
Fax: (204) 694-9534
Toll Free: 1-877-694-9534

Toronto
979 Gana Court
Mississauga, ON L5S 1N9
Tel: (905) 565-8661
Toll Free: 1-800-387-3879
Fax: (905) 565-7266
Toll Free: 1-800-267-3310

Montréal
4620, rue Garand
St. Laurent, QC H4R 2A2
Sans frais :
Tél : 1-800-363-2885
Téléç : 1-800-267-3310

Halifax
110 - 11 Morris Drive
Dartmouth, NS B3B 1M2
Tel: (902) 468-8324
Toll Free: 1-800-472-7686
Fax: (902) 468-3461
Toll Free: 1-877-468-3461