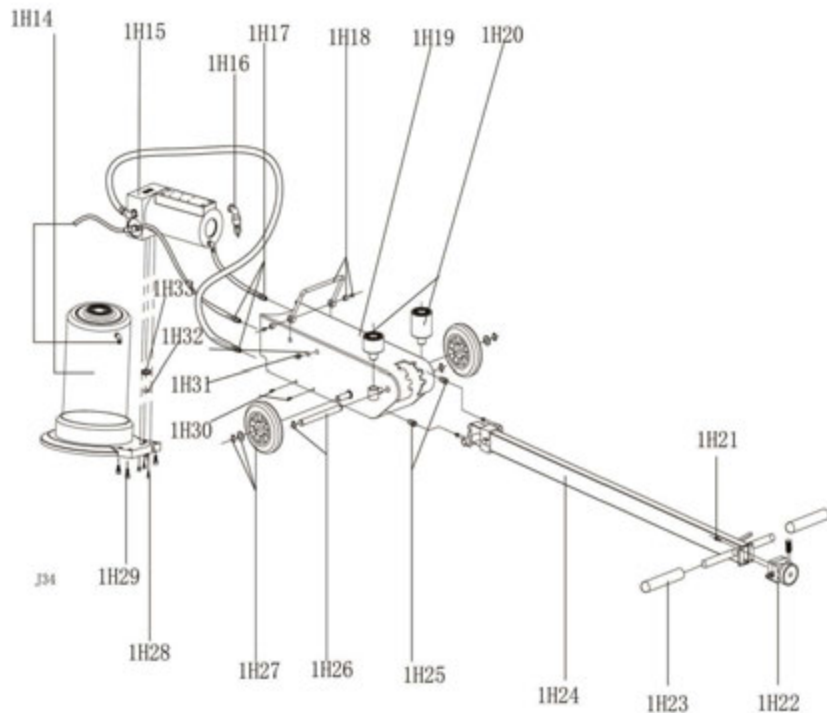
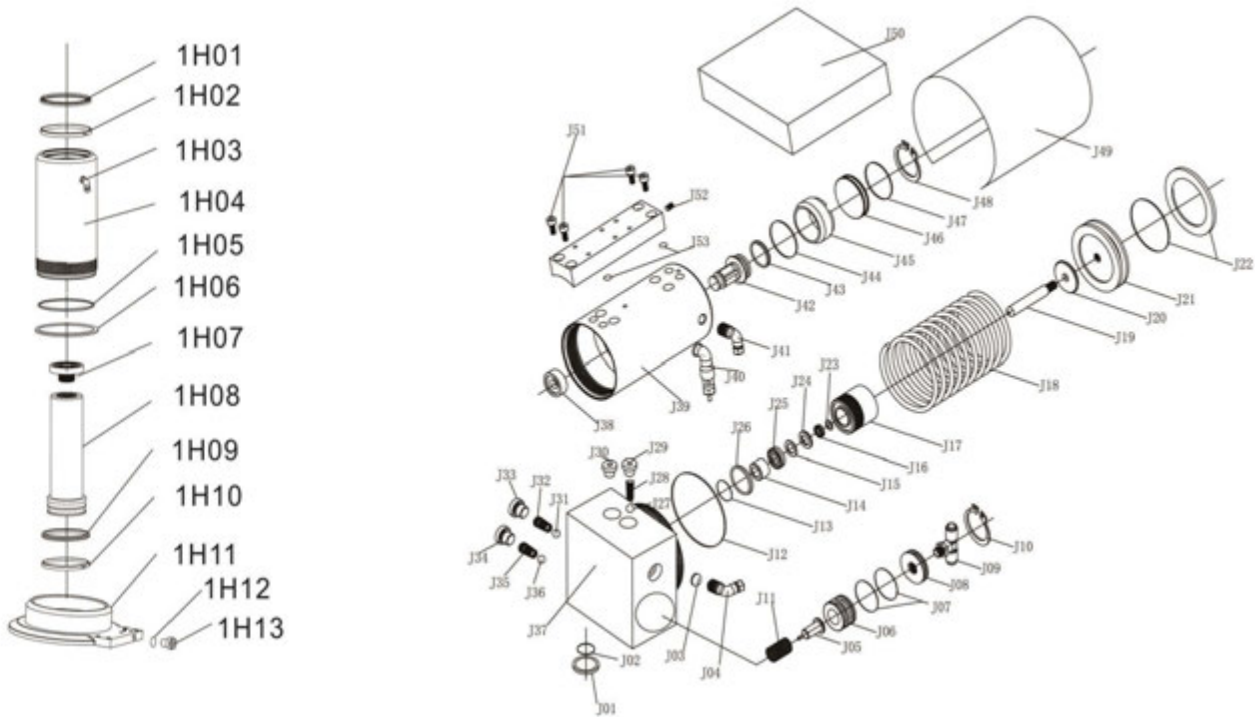


## 830SHD 30 TON SINGLE STAGE HIGH LIFT 860SHD 60 TON SINGLE STAGE HIGH LIFT

PROD NO. 030472,030473

MOD NO. 830,860SHD



## 830SHD 30 TON SINGLE STAGE HIGH LIFT 860SHD 60 TON SINGLE STAGE HIGH LIFT

PROD NO. 030472,030473

MOD NO. 830,860SHD

REF	PART NUMBER	DESCRIPTION	REF	PART NUMBER	DESCRIPTION
1H01	PCN830SHD-1H01	DUSTPROOF RING	1H23	PCN860SHD-1H23	HANDLE GRIP
1H01	PCN860SHD-1H01	DUSTPROOF RING	1H24	PCN860SHD-1H24	HANDLE
1H02	PCN830SHD-1H02	GUIDE RING	1H26	PCN830SHD-1H26	WHEEL AXLE
1H02	PCN860SHD-1H02	GUIDE RING	1H26	PCN860SHD-1H26	WHEEL AXLE
1H03	PCN830SHD-1H03	ELBOW	1H27	PCN830SHD-1H27	WHEEL WITH CLIPS
1H03	PCN860SHD-1H03	ELBOW	1H27	PCN860SHD-1H27	WHEEL WITH CLIPS
1H05	PCN830SHD-1H05	O RING	J03	PCN860SHD-J03	FILTER
1H05	PCN860SHD-1H05	O RING	J04	PCN860SHD-J04	ELBOW
1H06	PCN830SHD-1H06	LOCKING RING	J05	PCN860SHD-J05	OIL DRAIN BOLT
1H06	PCN860SHD-1H06	LOCKING RING	J06	PCN860SHD-J06	OIL DRAIN PISTON
1H07	PCN830SHD-1H07	TOP COVER	J09	PCN860SHD-J09	T-PIECE
1H07	PCN860SHD-1H07	TOP COVER	J11	PCN860SHD-J11	SPRING
1H10	PCN830SHD-1H10	GUIDE RING	J16	PCN860SHD-J16	SEAL(B3)
1H10	PCN860SHD-1H10	GUIDE RING	J17	PCN860SHD-J17	PLUNGER BUSHING
1H12	PCN830SHD-1H12	O RING	J18	PCN860SHD-J18	SPRING
1H12	PCN860SHD-1H12	O RING	J19	PCN860SHD-J19	PLUNGER ROD
1H13	PCN830SHD-1H13	SCREW	J20	PCN860SHD-J20	SPACER
1H13	PCN860SHD-1H13	SCREW	J21	PCN860SHD-J21	PISTON
1H14	PCN830SHD-1H14	OIL CYLINDER ASSEMBLY	J22	PCN860SHD-J22	OE SEALING
1H14	PCN860SHD-1H14	OIL CYLINDER ASSEMBLY	J25	PCN860SHD-J25	SEAL(B3)
1H15	PCN830SHD-1H15	PUMP ASSEMBLY	J28	PCN860SHD-J28	SPRING
1H15	PCN860SHD-1H15	PUMP ASSEMBLY	J29	PCN860SHD-J29	SCREW NUT
1H16	PCN830SHD-1H16	SAFE VALVE	J30	PCN860SHD-J30	SCREW NUT
1H16	PCN860SHD-1H16	SAFE VALVE	J38	PCN860SHD-J38	RUBBER CAP
1H18	PCN830SHD-1H18	LIFTING HANDLE SET	J41	PCN860SHD-J41	ELBOW
1H18	PCN860SHD-1H18	LIFTING HANDLE SET	J42	PCN860SHD-J42	PISTON
1H20	PCN830SHD-1H20	ADAPTORS	J43	PCN860SHD-J43	SEAL(Z8)
1H20	PCN860SHD-1H20	ADAPTORS	J44	PCN860SHD-J44	O-RING
1H21	PCN860SHD-1H21	SCREW	J47	PCN860SHD-J47	O-RING
1H22	PCN860SHD-1H22	SWITCH	J50	PCN860SHD-J50	FOAM FILTER