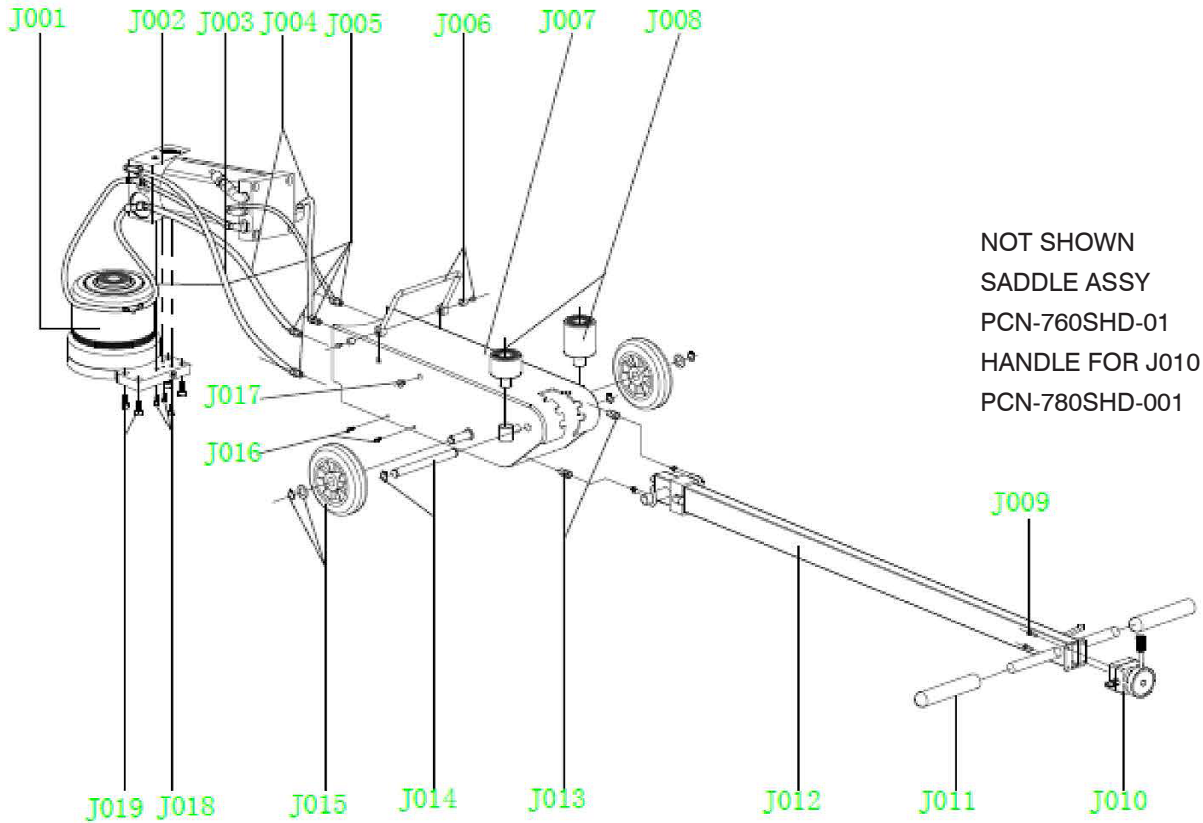


## SHD HEAVY DUTY 3 STAGE JACK PROD NO 030476 MODEL 760SHD



J001  
COMPLETE CYL ASSY  
PCN-760SHD-CYL  
J002  
PUMP ASSY  
PCN-780SHD-J002  
J003  
OIL HOSE  
PCN-780SHD-J003  
J004  
AIR HOSE  
PCN-780SHD-J004  
J005  
TIE IN  
PCN-780SHD-J005

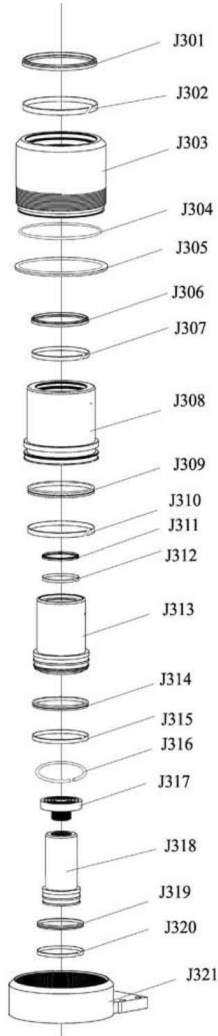
J006  
HANDLE SET  
PCN-760SHD-J006  
J007  
TANK @ BODY  
PCN-760SHD-J007  
J008  
2 PC ADAPTER  
PCN-760SHD-80  
J009  
SCREW  
PCN-760SHD-J009  
J010  
HANDLE VALVE  
PCN-750SHD-84

J011  
HANDLE GRIP  
PCN-760SHD-J011  
J012  
COMPLETE HANDLE WITH J010  
PCN-760SHD-HS  
J013  
SCREWS  
PCN-750SHD-J013  
J014  
HANDLE PIN  
PCN-760SHD-088  
J015  
WHEEL W CLIP  
PCN-760SHD-082

J016  
SCREW  
PCN-760SHD-J016  
J017  
FILL SCREW PLUG  
PCN-750SHD-J017  
J018  
SCREWS  
PCN-750SHD-J018  
J019  
SCREWS  
PCN-750SHD-J019

NOT SHOWN  
SADDLE ASSY  
PCN-760SHD-01  
HANDLE FOR J010  
PCN-780SHD-001

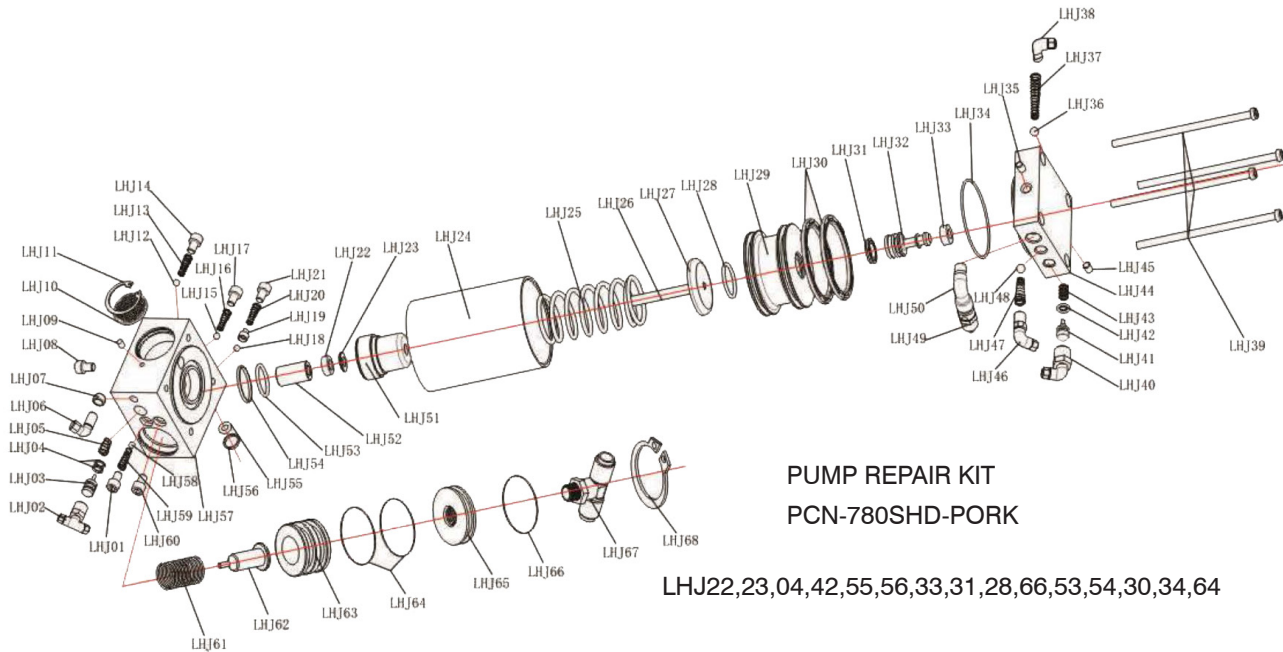
## SHD HEAVY DUTY 3 STAGE JACK PROD NO 030476 MODEL 760SHD



REF	PART NUMBER	DESCRIPTION
J301	PCN-760SHD-J301	DUSTPROOF RING
J302	PCN-760SHD-J302	GUIDE RING
J303	PCN-760SHD-J303	OUTER SLEEVE
J304	PCN-760SHD-J304	O RING
J305	PCN-760SHD-J305	LOCKING RING
J306	PCN-760SHD-J306	DUSTPROOF RING
J307	PCN-760SHD-J307	GUIDE RING
J308	PCN-760SHD-J308	INNER SLEEVE
J309	PCN-760SHD-J309	XTP SEAL
J310	PCN-760SHD-J310	GUIDE RING
J311	PCN-760SHD-J311	DUSTPROOF RING
J312	PCN-760SHD-J312	GUIDE RING
J313	PCN-760SHD-J313	INNER SLEEVE
J314	PCN-760SHD-J314	XTP SEAL
J315	PCN-760SHD-J315	GUIDE RING
J316	PCN-760SHD-J316	SPRING WASHER
J317	PCN-760SHD-60316	TOP COVER
J318	PCN-760SHD-J318	PISTON
J319	PCN-760SHD-J319	XTP SEAL
J320	PCN-760SHD-J320	GUIDE RING
J321	PCN-760SHD-J321	BASEMENT

PCN-760SHD-SK  
CYL ASSY SEAL KIT

## SHD HEAVY DUTY 3 STAGE JACK PROD NO 030476 MODEL 760SHD



**PUMP REPAIR KIT  
PCN-780SHD-PORK**

LHJ22,23,04,42,55,56,33,31,28,66,53,54,30,34,64

REF	PART NUMBER	DESCRIPTION	REF	PART NUMBER	DESCRIPTION	REF	PART NUMBER	DESCRIPTION
LHJ01	PCN-780SHD-LHJ01	SCREW NUT	LHJ26	PCN-780SHD-LHJ26	PLUNGER ROD	LHJ51	PCN-780SHD-LHJ51	OIL PUMP
LHJ02	PCN-780SHD-LHJ02	TIE IN	LHJ27	PCN-780SHD-LHJ27	PLUNGER COVER	LHJ52	PCN-780SHD-LHJ52	GUIDE BUSHER
LHJ03	PCN-780SHD-LHJ03	OIL DRAIN PISTON	LHJ28	PCN-780SHD-LHJ28	O RING	LHJ53	PCN-780SHD-LHJ53	O RING
LHJ04	PCN-780SHD-LHJ04	O RING	LHJ29	PCN-780SHD-LHJ29	PISTON	LHJ54	PCN-780SHD-LHJ54	LOCKING RING
LHJ05	PCN-780SHD-LHJ05	SPRING	LHJ30	PCN-780SHD-LHJ30	PK	LHJ55	PCN-780SHD-LHJ55	O RING
LHJ06	PCN-780SHD-LHJ06	TIE IN	LHJ31	PCN-780SHD-LHJ31	Z8	LHJ56	PCN-780SHD-LHJ56	LOCKING RING
LHJ07	PCN-780SHD-LHJ07	FITTER	LHJ32	PCN-780SHD-LHJ32	PISTON	LHJ57	PCN-780SHD-LHJ57	CHECK VALVE
LHJ08	PCN-780SHD-LHJ08	SCREW NUT	LHJ33	PCN-780SHD-LHJ33	RUBBER CAP	LHJ58	PCN-780SHD-LHJ58	STEEL BALL
LHJ09	PCN-780SHD-LHJ09	SCREW NUT	LHJ34	PCN-780SHD-LHJ34	O RING	LHJ59	PCN-780SHD-LHJ59	SPRING
LHJ10	PCN-780SHD-LHJ10	SLIENCER	LHJ35	PCN-780SHD-LHJ35	SCREW NUT	LHJ60	PCN-780SHD-LHJ60	SCREW NUT
LHJ11	PCN-780SHD-LHJ11	CLAMP	LHJ36	PCN-780SHD-LHJ36	STEEL BALL	LHJ61	PCN-780SHD-LHJ61	SCREW NUT
LHJ12	PCN-780SHD-LHJ12	STEEL BALL	LHJ37	PCN-780SHD-LHJ37	SPRING	LHJ62	PCN-780SHD-LHJ62	SPRING
LHJ13	PCN-780SHD-LHJ13	SPRING	LHJ38	PCN-780SHD-LHJ38	TIE IN	LHJ63	PCN-780SHD-LHJ63	OIL DRAIN BOLT
LHJ14	PCN-780SHD-LHJ14	SCREW NUT	LHJ39	PCN-780SHD-LHJ39	SCREW	LHJ64	PCN-780SHD-LHJ64	OIL DRAIN PISTON
LHJ15	PCN-780SHD-LHJ15	STEEL BALL	LHJ40	PCN-780SHD-LHJ40	TIE IN	LHJ65	PCN-780SHD-LHJ65	END COVER
LHJ16	PCN-780SHD-LHJ16	SPRING	LHJ41	PCN-780SHD-LHJ41	PISTON	LHJ66	PCN-780SHD-LHJ66	O RING
LHJ17	PCN-780SHD-LHJ17	SCREW NUT	LHJ42	PCN-780SHD-LHJ42	O RING	LHJ67	PCN-780SHD-LHJ67	TIE IN
LHJ18	PCN-780SHD-LHJ18	STEEL BALL	LHJ43	PCN-780SHD-LHJ43	SPRING	LHJ68	PCN-780SHD-LHJ68	CLAMP
LHJ19	PCN-780SHD-LHJ19	SCREW NUT	LHJ44	PCN-780SHD-LHJ44	AIR INLET BASE			
LHJ20	PCN-780SHD-LHJ20	SPRING	LHJ45	PCN-780SHD-LHJ45	SCREW NUT			
LHJ21	PCN-780SHD-LHJ21	SCREW NUT	LHJ46	PCN-780SHD-LHJ46	TIE IN			
LHJ22	PCN-780SHD-LHJ22	B3	LHJ47	PCN-780SHD-LHJ47	SPRING			
LHJ23	PCN-780SHD-LHJ23	LOCKING RING	LHJ48	PCN-780SHD-LHJ48	STEEL BALL			
LHJ24	PCN-780SHD-LHJ24	AIR CYLINDER	LHJ49	PCN-780SHD-LHJ49	SAFE VALVE			
LHJ25	PCN-780SHD-LHJ25	SPRING	LHJ50	PCN-780SHD-LHJ50	TIE IN			