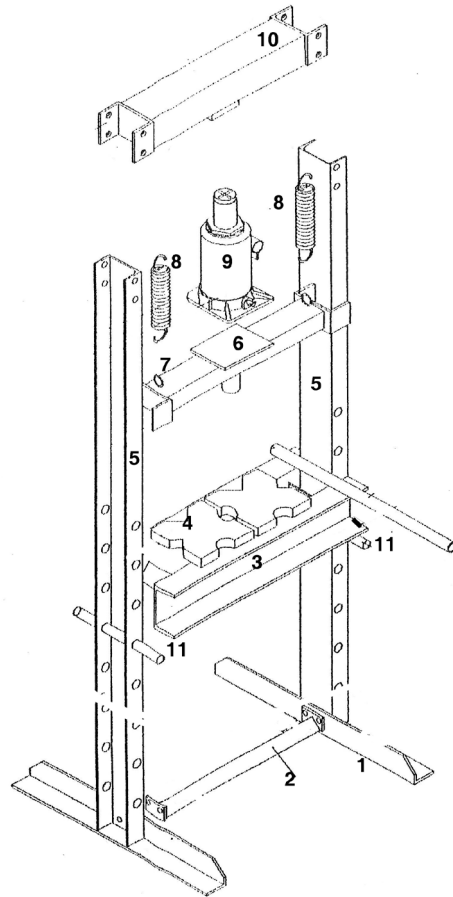


## 12 TON SHOP PRESS MODEL 112

PROD NO. 032161  
MOD NO. 112



REF	PART NUMBER	DESCRIPTION	REQ
1	PCN-112NP01	BASE SUPPORTS	2
2	PCN-112NP02	BASE SPREADER	1
3	PCN-112NP03	PRESS BED	1
4	PCN-112NP04	ARBOUR PLATE	2
5	PCN-112NP05	SIDE FRAME	2
6	PCN-112NP06	JACK PLATE	1
7	PCN-112NP07	J BOLT	2
8	PCN-112NP08	SPRING	2
9	PCN-112NP09	12 TON JACK	1
10	PCN-112NP10	CROSSBEAM HEADER	1
11	PCN-112NP11	SUPPORT PINS	2
	PCN-112NHDWKIT	HARDWARE KIT	