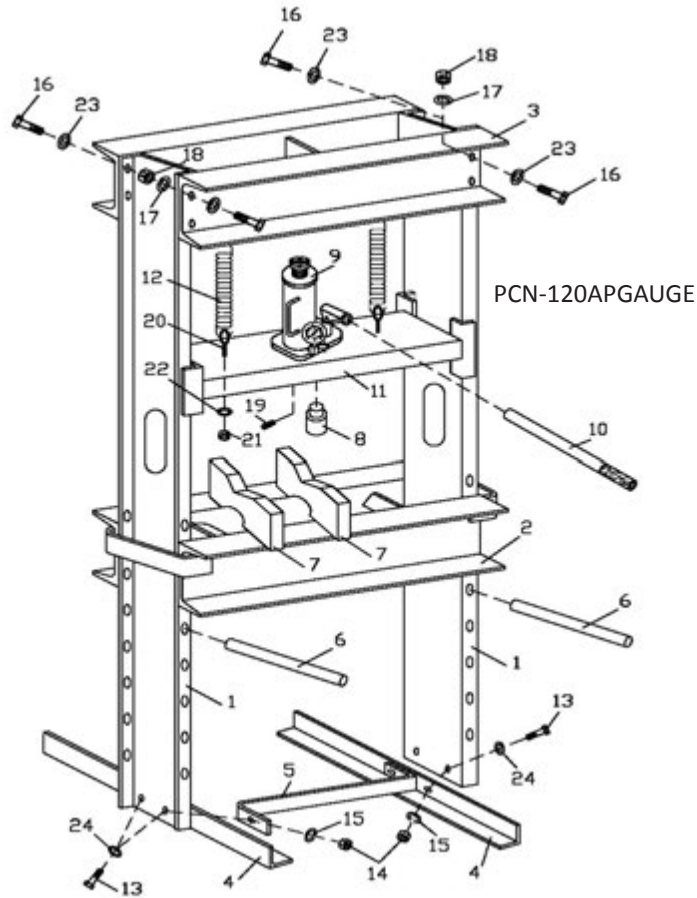


120A 20 TON SHOP PRESS PRODUCT #032166



| | REF | PART NUMBER | DESCRIPTION |
|-------------------------|-----|--------------|------------------------------|
| PUN-120AHDWEK | | | |
| Hardware Kit - includes | 1 | PUN-120AP01 | Side Frame |
| #13 - Bolt M12x30 | 2 | PUN-120AP02 | Press Bed |
| #14 - Hex Nut M12 | 3 | PUN-120AP03 | Top Frame Assembly |
| #15 - Lock Washer | 4 | PUN-120AP04 | Base Support |
| #16 - Hex Bolt M16x35 | 5 | PUN-120AP05 | Z Bar |
| #17 - Lock Washer | 6 | PUN-120AP06 | Press Table Pin |
| #18 - Hex Nut M16 | 7 | PUN-120AP07A | Arbor Plate Small 1/2 Circle |
| #19 - Hex Bolt M8x8 | 7 | PUN-120AP07B | Arbor Plate Large 1/2 Circle |
| #20 - Eye Bolt | 8 | PUN-120AP08 | Bearing Punch Adapter |
| #21 - Nut M8 | 9 | PCN-120AP09 | Hydraulic Unit with Gauge |
| #22 - Flat Washer 8 | 10 | PUN-120AP10 | Handle |
| #23 - Flat Washer 16 | 11 | PUN-120AP11 | Jack Plate |
| #24 - Flat Washer 10 | 12 | PUN-120AP12 | Springs |