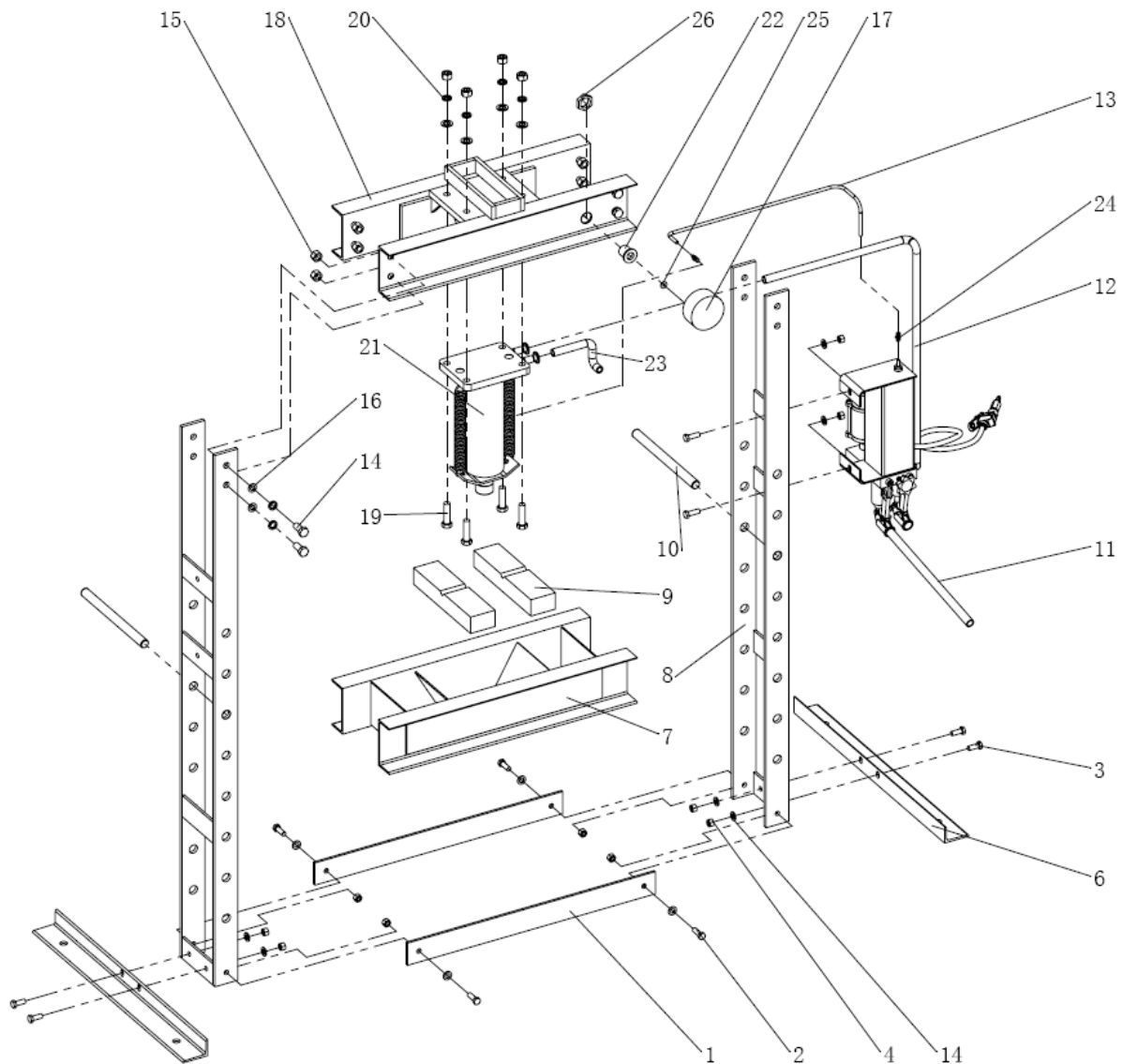
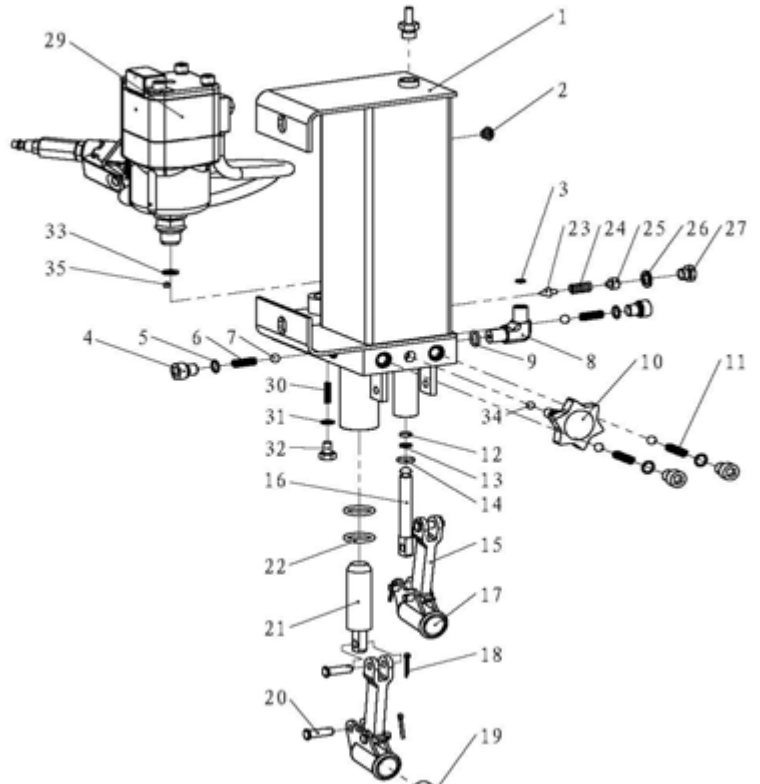
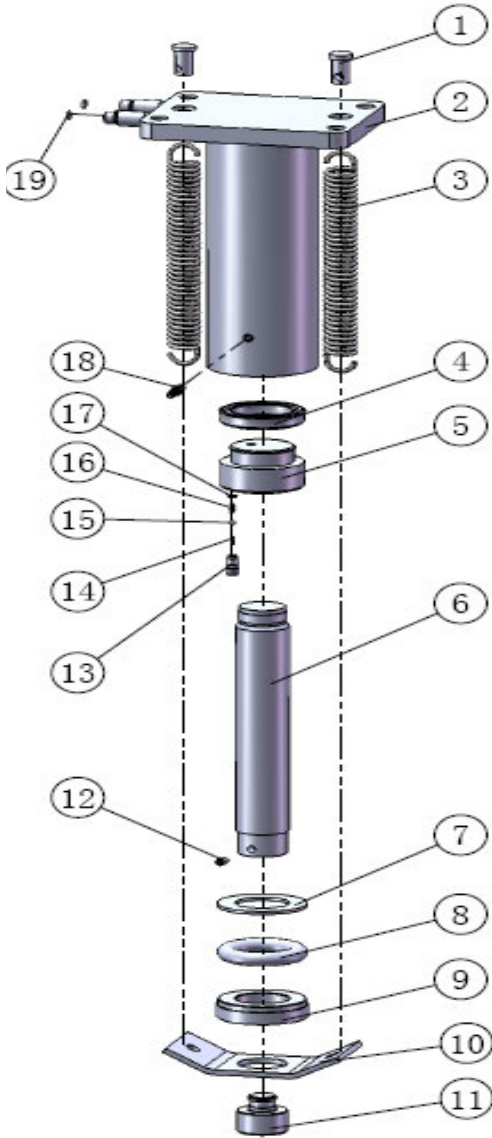


## 135 35 TON SHOP PRESS AIR/MAN.

PROD NO. 032173  
MOD NO. 135



REF	PART NUMBER	DESCRIPTION	REQ
1	PFH-135P1	SPREADER BAR	2
6	PFH-135P6	BASE SUPPORT	2
7	PFH-135P7	PRESS BRIDGE	1
9	PFH-135P9	ARBOUR PLATE	2
10	PFH-135P10	SUPPORT PINS	2
11	PFH-150P10	PUMP ASY	1
12	PFH-135P12	UPPER PIPE ASSY	1
21	PFH-135PH11	PRESSURE HEAD	1
	PFH-135HDWKIT	HARDWARE KIT	
		CONTAINS	2,3,4,5,14,15,16,19,20



REF	PART NUMBER	DESCRIPTION	REQ
	1	POWERUNIT LESS PUMP	1
	16	PUMP SMALL INCLUDES 16,15,17,18,21	1
	21	PUMP LARGE INCLUDES 21,15,17,18,20	1
	29	AIR PUMP	1
	XX	AIR PUMP REPAIR KIT	1
	XX	HYD REPAIR KIT	1

REF	PART NUMBER	DESCRIPTION	REQ
	3	PFH-150PHS SPRING	2
	6	PFH-135PH6 PISTON ROD	1
	5	PFH-135PH5 PRESSURE HEAD	1
	9	PFH-135PH9 GUIDE SLEEVE	1
	10	PFH-135PH10 SPRING PLATE	1
	XX	PFH-135PHRK HEAD REPAIR KIT CONTAINS 4,7,8,13,14,15,16,17,18,19	1