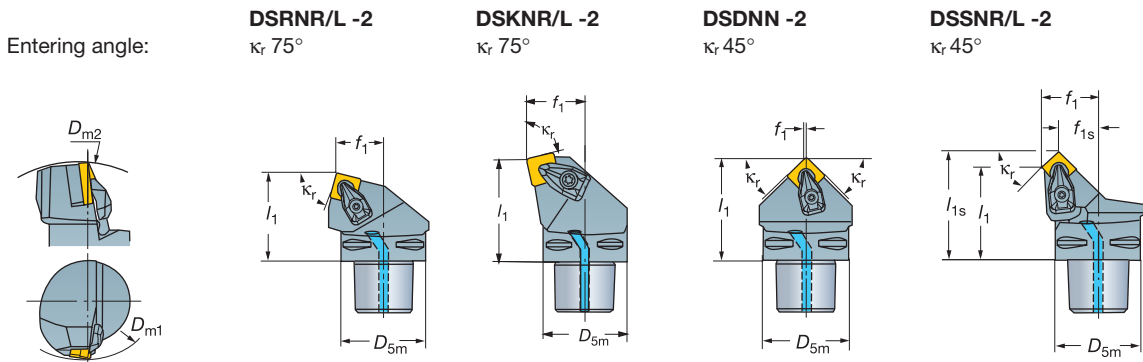


Coromant Capto® cutting units

CoroTurn® RC rigid clamp design for ceramic inserts



SNGQ
SNGA, SNMA



Right hand style shown when nothing else is stated

Main application	Alternative use	Ordering code	Dimensions, mm								Gauge inserts	Nm ³⁾	
			D_{5m}	D_{m1} min	D_{m2} min	f_1	f_{1s}	l_1	l_{1s}	γ^1			λ_s^2
75°		12 C4-DSRNR/L-22050-12-2	40	140	22.0		50		-6°	-6°	SNGQ 12 07 08	3.9	
		C5-DSRNR/L-27060-12-2	50	165	27.0		60		-6°	-6°	SNGQ 12 07 08	3.9	
		C6-DSRNR/L-35065-12-2	63	190	35.0		65		-6°	-6°	SNGQ 12 07 08	3.9	
75°		12 C4-DSKNR/L-27050-12-2	40	110	27.0		50		-6°	-6°	SNGQ 12 07 08	3.9	
		C5-DSKNR/L-35060-12-2	50	110	35.0		60		-6°	-6°	SNGQ 12 07 08	3.9	
		C6-DSKNR/L-45065-12-2	63	110	45.0		65		-6°	-6°	SNGQ 12 07 08	3.9	
45°		12 C4-DSDNN-00050-12-2	40	140	0.3		50		-6°	-6°	SNGQ 12 07 08	3.9	
		C5-DSDNN-00060-12-2	50	165	0.3		60		-6°	-6°	SNGQ 12 07 08	3.9	
		C6-DSDNN-00065-12-2	63	190	0.3		65		-6°	-6°	SNGQ 12 07 08	3.9	
45°		12 C4-DSSNR/L-27042-12-2	40	110	140	27.0	18.7	42	50.3	-8°	0°	SNGQ 12 07 08	3.9
		C5-DSSNR/L-35052-12-2	50	110	165	35.0	26.7	52	60.3	-8°	0°	SNGQ 12 07 08	3.9
		C6-DSSNR/L-45056-12-2	63	110	190	45.0	36.7	56	64.3	-8°	0°	SNGQ 12 07 08	3.9

1) γ = Rake angle.
2) λ_s = Angle of inclination.
3) Insert tightening torque Nm

Ordering example: 2 pieces C4-DSRNR-22050-12-2
C4-DSRNL-22050-12-2
R = Right hand, L = Left hand

When using inserts with thickness 04 (4.76 mm), optional shims must be ordered. See page A319.

Main spare parts

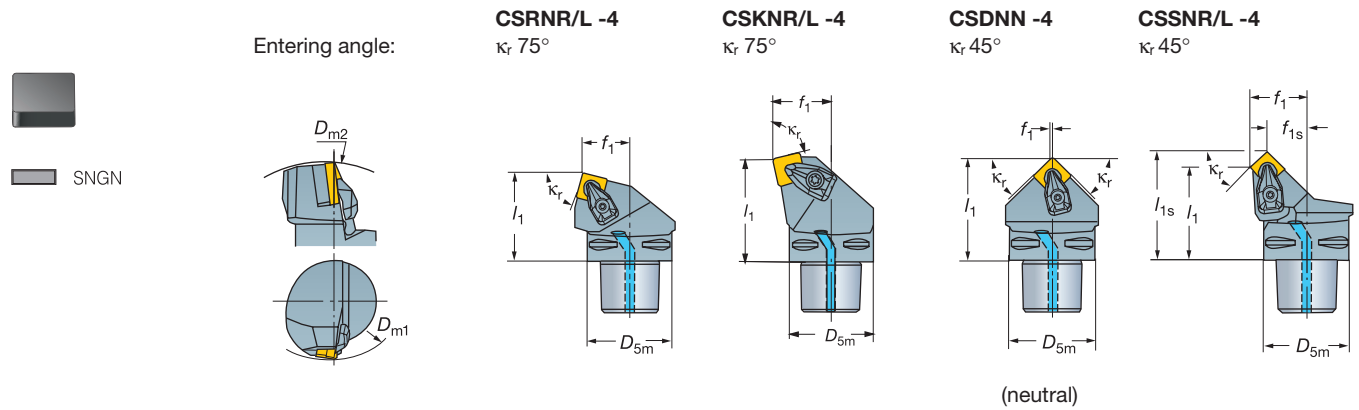
Insert size	Shim (For insert thickness)	Shim screw	Key (Torx Plus)	Complete clamp set
12-2	5322 425-02 (7.94)	5513 020-02	5680 049-01 (15IP)	5412 032-021 ¹⁾

1) To modify CoroTurn® RC holders for other inserts, see clamp sets on page A281.



Coromant Capto® cutting units

CoroTurn® RC rigid clamp slides for ceramic inserts



Right hand style shown when nothing else is stated

κr	Main application	Alternative use	□	Ordering code	Dimensions, mm								Gauge inserts	Nm ³⁾	
					D _{5m}	D _{m1} min	D _{m2} min	f ₁	f _{1s}	l ₁	l _{1s}	γ ¹⁾			λ _s ²⁾
75°			□	C4-CSRNR/L-22050-12-4	40	140	22.0			50	-6°	-6°	SNGN 12 07 08	3.9	
				C5-CSRNR/L-27060-12-4	50	165	27.0			60	-6°	-6°	SNGN 12 07 08	3.9	
				C6-CSRNR/L-35065-12-4	63	190	35.0			65	-6°	-6°	SNGN 12 07 08	3.9	
				C5-CSRNR/L-27060-15-4	50	165	27.0			60	-6°	-6°	SNGN 15 07 12	6.4	
75°			□	C4-CSKNR/L-27050-12-4	40	110	27.0			50	-6°	-6°	SNGN 12 07 08	3.9	
				C5-CSKNR/L-35060-12-4	50	110	35.0			60	-6°	-6°	SNGN 12 07 08	3.9	
				C6-CSKNR/L-45065-12-4	63	110	45.0			65	-6°	-6°	SNGN 12 07 08	3.9	
				C6-CSRNR/L-35065-15-4	63	190	35.0			65	-6°	-6°	SNGN 15 07 12	6.4	
45°			□	C4-CSDNN-00050-12-4	40	140	0.3			50	-6°	-6°	SNGN 12 07 08	3.9	
				C5-CSDNN-00060-12-4	50	165	0.3			60	-6°	-6°	SNGN 12 07 08	3.9	
				C6-CSDNN-00065-12-4	63	190	0.3			65	-6°	-6°	SNGN 12 07 08	3.9	
				C5-CSDNN-00060-15-4	50	165	0.5			60	-6°	-6°	SNGN 15 07 12	6.4	
45°			□	C4-CSSNR/L-27042-12-4	40	110	140	27.0	18.7	42	50.3	-8°	0°	SNGN 12 07 08	3.9
				C5-CSSNR/L-35052-12-4	50	110	165	35.0	26.7	52	60.3	-8°	0°	SNGN 12 07 08	3.9
				C6-CSSNR/L-45056-12-4	63	110	190	45.0	36.7	56	64.3	-8°	0°	SNGN 12 07 08	3.9
				C5-CSSNR/L-35050-15-4	50	125	165	35.0	24.8	50	60.2	-8°	0°	SNGN 15 07 12	6.4
45°			□	C6-CSSNR/L-45054-15-4	63	125	190	45.0	34.8	54	64.2	-8°	0°	SNGN 15 07 12	6.4

1) γ = Rake angle.
 2) λ_s = Angle of inclination.
 3) Insert tightening torque Nm

Ordering example: 2 pieces C4-CSRNR-22050-12-4
 C4-CSRNL-22050-12-4
 R = Right hand, L = Left hand

When using inserts with thickness O4 (4.76 mm), optional shims must be ordered. See page A317.

Main spare parts

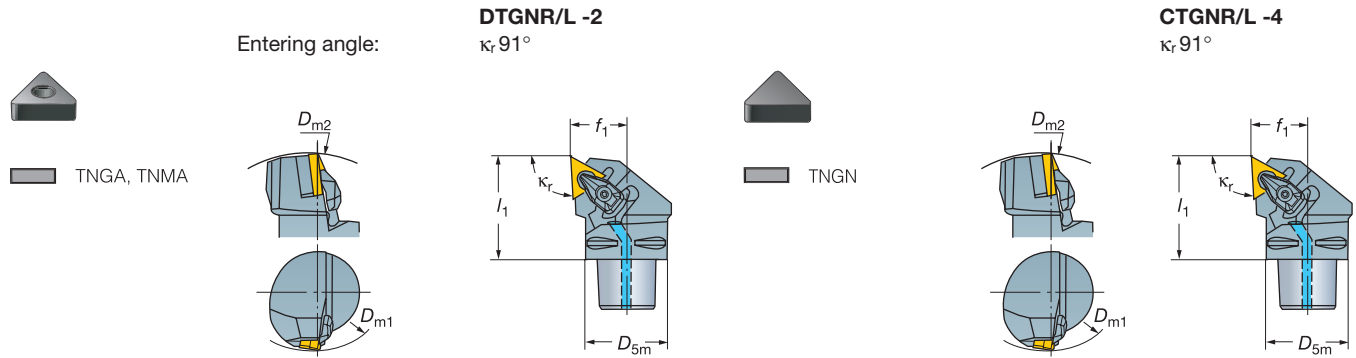
Insert size	Shim (For insert thickness)	Shim screw	Key (Torx Plus)	Complete clamp set
12-4	5322 425-02 (7.94)	5513 020-02	5680 049-01 (15IP)	5412 032-021 ¹⁾
15-4	5322 425-05 (7.94)	5513 020-07	5680 043-14 (20IP)	5412 032-031 ¹⁾

1) To modify CoroTurn® RC holders for other inserts, see clamp sets on page A281.



Coromant Capto® cutting units

CoroTurn® RC rigid clamp slides for ceramic inserts



Right hand style shown when nothing else is stated

κ_r	Main application	Alternative use	△	Ordering code	Dimensions, mm							Gauge inserts	Nm ³⁾
					D_{5m}	D_{m1} min	D_{m2} min	f_1	l_1	$\gamma^1)$	$\lambda_s^2)$		
91°			22	C4-DTGNR/L-27050-22-2	40	110	140	27.0	50	-6°	-6°	TNGA 22 04 08	3.9
				C5-DTGNR/L-35060-22-2	50	110	165	35.0	60	-6°	-6°	TNGA 22 04 08	3.9
				C6-DTGNR/L-45065-22-2	63	110	190	45.0	65	-6°	-6°	TNGA 22 04 08	3.9

1) γ = Rake angle.
 2) λ_s = Angle of inclination.
 3) Insert tightening torque Nm

Ordering example: 2 pieces C4-DTGNR-27050-22-2
 C4-DTGNL-27050-22-2
 R = Right hand, L = Left hand

κ_r	Main application	Alternative use	△	Ordering code	Dimensions, mm							Gauge inserts	Nm ³⁾
					D_{5m}	D_{m1} min	D_{m2} min	f_1	l_1	$\gamma^1)$	$\lambda_s^2)$		
91°			22	C4-CTGNR/L-27050-22-4	40	110	140	27.0	50	-6°	-6°	TNGN 22 04 08	3.9
				C5-CTGNR/L-35060-22-4	50	110	165	35.0	60	-6°	-6°	TNGN 22 04 08	3.9
				C6-CTGNR/L-45065-22-4	63	110	190	45.0	65	-6°	-6°	TNGN 22 04 08	3.9

1) γ = Rake angle.
 2) λ_s = Angle of inclination.
 3) Insert tightening torque Nm

Ordering example: 2 pieces C4-CTGNR-27050-22-4
 C4-CTGNL-27050-22-4
 R = Right hand, L = Left hand

When using inserts with thickness 04 (4.76 mm), optional shims must be ordered. See page A317.

Main spare parts

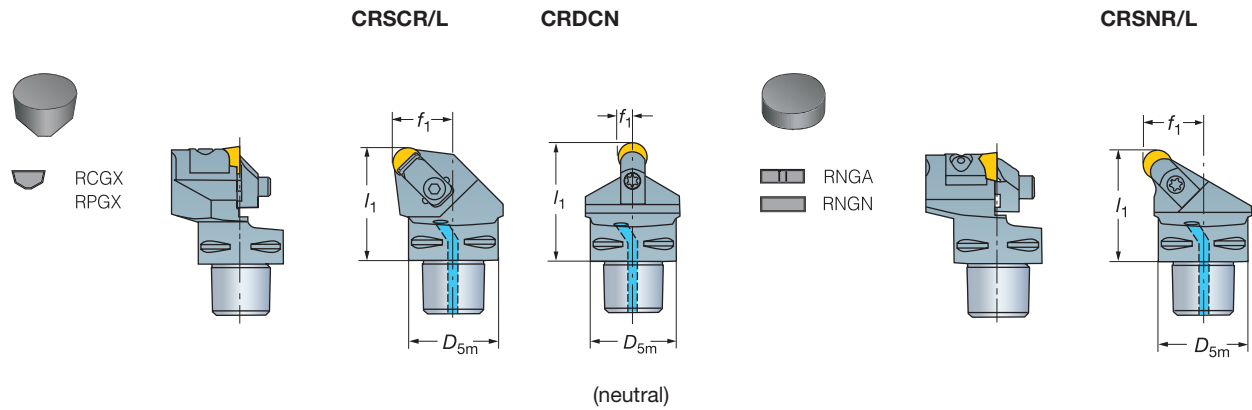
Insert size	Shim (For insert thickness)	Shim screw	Key (Torx Plus)	Complete clamp set
22-2	5322 315-04 (4.76)	5513 020-02	5680 049-01 (15IP)	5412 032-021 ¹⁾
22-4	5322 315-04 (4.76)	5513 020-02	5680 049-01 (15IP)	5412 034-021 ¹⁾

1) To modify CoroTurn® RC holders for other inserts, see clamp sets on page A281.



Coromant Capto® cutting units

T-Max® top clamp design for ceramic inserts



Right hand style shown when nothing else is stated

Main application	Ø	Ordering code	Dimensions, mm					Gauge inserts
			D_{5m}	f_1	l_1	γ^1	λ_s^2	
	09	C5-CRSCR/L-35060-09V	50	35.0	60	0°	0°	RCGX 09 07 00
	12	C5-CRSCR/L-35060-12V	50	35.0	60	0°	0°	RCGX 12 07 00
	09	C5-CRDCN-00060-09AV	50	4.76	60	0°	0°	RCGX 09 07 00
	12	C5-CRDCN-00060-12AV	50	6.35	60	0°	0°	RCGX 12 07 00

¹⁾ γ = Rake angle.

²⁾ λ_s = Angle of inclination.

Ordering example: 2 pieces C5-CRSCR-35060-09V
C5-CRCL-35060-09V
R = Right hand, L = Left hand

Main application	Ø	Ordering code	Dimensions, mm					Gauge inserts
			D_{5m}	f_1	l_1	γ^1	λ_s^2	
	09	C3-CRSNR/L-22040-09ID	32	22.0	40	-6°	-6°	RNGN 09 03 00
	12	C4-CRSNR/L-27050-12ID	40	27.0	50	-6°	-6°	RNGN 12 07 00
		C5-CRSNR/L-35060-12ID	50	35.0	60	-6°	-6°	RNGN 12 07 00
		C6-CRSNR/L-45065-12ID	63	45.0	65	-6°	-6°	RNGN 12 07 00

¹⁾ γ = Rake angle.

²⁾ λ_s = Angle of inclination.

Ordering example: 2 pieces C5-CRSCR-35060-09V
C5-CRCL-35060-09V
R = Right hand, L = Left hand

When using inserts with thickness 04 (4.76 mm), optional shims must be ordered. See page A321.

Main spare parts

Insert size	Clamp		Clamp screw		Key (Torx Plus)	
Ø	09	5412 100-01	3212 035-452	5680 043-16 (27IP)		
	12	5412 100-02	3212 036-504	5680 043-17 (30IP)		
Ø	Clamp	Pressure plate	Key (mm)	Shim (For insert thickness)	Shim screw	Key (mm/Torx Plus)
09-ID	5412 127-01	-	3021 010-040 (4.0)	5321 215-01 (7.97)	3212 100-206	174.1-870 (2.0)
12-ID	5412 125-01	5192-020-01	3021 010-040 (4.0)	5322 141-01 (7.97)	5513 013-02	5680 043-14 (20IP)



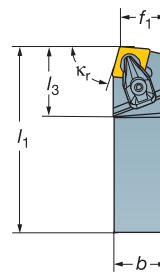
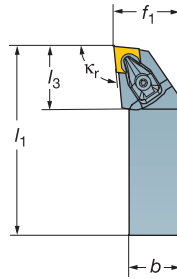
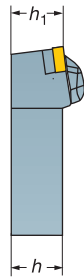
Shank tools

CoroTurn® RC rigid clamp slides for ceramic inserts



CNGQ
CNGA, CNMA

Entering angle:

DCLNR/L -2
 $\kappa_r 95^\circ$ DCBNR/L -2
 $\kappa_r 75^\circ$ 

Right hand style shown when nothing else is stated

κ_r	Main application	Ordering code	Dimensions, mm										Gauge inserts	Nm ³⁾
			b	f ₁	h	h ₁	l ₁	l ₃	γ^1	λ_s^2				
95°		12 DCLNR/L 2525M 12-2	25	32.0	25	25	150	32.0	-6°	-6°	CNGQ 12 07 08	3.9		
		DCLNR/L 3225P 12-2	25	32.0	32	32	170	32.0	-6°	-6°	CNGQ 12 07 08	3.9		
		16 DCLNR/L 2525M 16-2	25	32.0	25	25	150	39.0	-6°	-6°	CNGQ 16 07 12	6.4		
		DCLNR/L 3225P 16-2	25	32.0	32	32	170	39.0	-6°	-6°	CNGQ 16 07 12	6.4		
75°		12 DCBNR/L 2525M 12-2	25	22.0	25	25	150	34.6	-6°	-6°	CNGQ 12 07 08	3.9		
		DCBNR/L 3225P 12-2	25	22.0	32	32	170	34.6	-6°	-6°	CNGQ 12 07 08	3.9		
		16 DCBNR/L 3225P 16-2	25	22.0	32	32	170	41.5	-6°	-6°	CNGQ 16 07 12	6.4		

1) γ = Rake angle.2) λ_s = Angle of inclination.

3) Insert tightening torque Nm

Ordering example: 2 pieces DCLNR 2525M 12-2

DCLNL 2525M 12-2

R = Right hand, L = Left hand

When using inserts with thickness 04 (4.76 mm), optional shims must be ordered. See page A319.

Main spare parts

Insert size	Shim (For insert thickness)	Shim screw	Key (Torx Plus)	Complete clamp set
12-2	5322 234-02 (7.94)	5513 020-02	5680 049-01 (15IP)	5412 032-021 ¹⁾
16-2	5322 234-04 (7.94)	5513 020-07	5680 043-14 (20IP)	5412 032-031 ¹⁾

1) To modify CoroTurn® RC holders for other inserts, see clamp sets on page A281.



A10



A133



A136



G6



A2

Shank tools

CoroTurn® RC rigid clamp slides for ceramic inserts

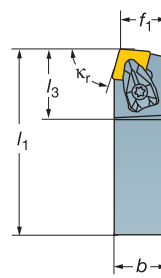
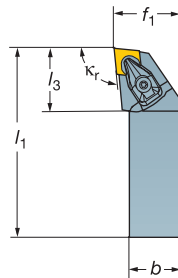
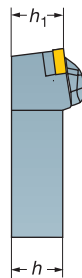


CNGN

Entering angle:

CCLNR/L -4
 $\kappa_r 95^\circ$

CCBNR/L -4
 $\kappa_r 75^\circ$



Right hand style shown when nothing else is stated

κ_r	Main application	□	Ordering code	Dimensions, mm								Gauge inserts	Nm ³⁾
				b	f ₁	h	h ₁	l ₁	l ₃	$\gamma^1)$	$\lambda_s^2)$		
95°		12	CCLNR/L 2525M 12-4	25	32.0	25	25	150	32.0	-6°	-6°	CNGN 12 07 08	3.9
			CCLNR/L 3225P 12-4	25	32.0	32	32	170	32.0	-6°	-6°	CNGN 12 07 08	3.9
			CCLNR/L 2525M 16-4	25	32.0	25	25	150	39.0	-6°	-6°	CNGN 16 07 12	6.4
			CCLNR/L 3225P 16-4	25	32.0	32	32	170	39.0	-6°	-6°	CNGN 16 07 12	6.4
75°		12	CCBNR/L 2525M 12-4	25	22.0	25	25	150	34.6	-6°	-6°	CNGN 12 07 08	3.9
			CCBNR/L 3225P 12-4	25	22.0	32	32	170	34.6	-6°	-6°	CNGN 12 07 08	3.9
			CCBNR/L 2525M 16-4	25	22.0	25	25	150	41.6	-6°	-6°	CNGN 16 07 12	6.4
			CCBNR/L 3225P 16-4	25	22.0	32	32	170	41.6	-6°	-6°	CNGN 16 07 12	6.4

¹⁾ γ = Rake angle.

²⁾ λ_s = Angle of inclination.

³⁾ Insert tightening torque Nm

Ordering example: 2 pieces CCLNR 2525M 12-4

CCLNL 2525M 12-4

R = Right hand, L = Left hand

When using inserts with thickness 04 (4.76 mm), optional shims must be ordered. See page A317.

Main spare parts

Insert size	Shim (For insert thickness)	Shim screw	Key (Torx Plus)	Complete clamp set
□ 12-4	5322 234-02 (7.94)	5513 020-02	5680 049-01 (15IP)	5412 034-021 ¹⁾
□ 16-4	5322 234-04 (7.94)	5513 020-07	5680 043-14 (20IP)	5412 034-031 ¹⁾

¹⁾ To modify CoroTurn® RC holders for other inserts, see clamp sets on page A281.



A10



A137



A317



G6



A2

Shank tools

CoroTurn® RC rigid clamp slides for ceramic inserts



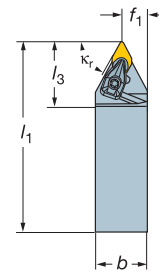
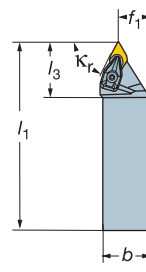
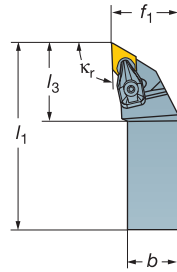
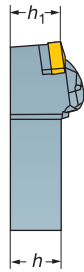
- DNGQ
- DNGA, DNMA

Entering angle:

DDJNR/L -2
κ_r 93°

DDNNR/L -2
κ_r 62.5°

DDNNN -2
κ_r 62.5°



(neutral)

Right hand style shown when nothing else is stated

κ _r	Main application	Ordering code	Dimensions, mm									Gauge inserts	Nm ³⁾
			b	f ₁	h	h ₁	l ₁	l ₃	γ ¹⁾	λ _s ²⁾			
93°		15 DDJNR/L 2525M 15-2	25	32.0	25	25	150	39.4	-6°	-7°	DNGQ 15 07 08	3.9	
		DDJNR/L 3225P 15-2	25	32.0	32	32	170	39.4	-6°	-7°	DNGQ 15 07 08	3.9	
		DDJNR/L 3232P 15-2	32	40.0	32	32	170	39.4	-6°	-7°	DNGQ 15 07 08	3.9	
62.5°		15 DDNNR/L 3225P 15-2	25	13.0	32	32	170	41.2	-6°	-7°	DNGQ 15 07 08	3.9	
62.5°		15 DDNNN 5040T 15-2	40	20.5	50	50	300	40.8	-5°	-9°	DNGQ 15 07 08	3.9	

1) γ = Rake angle.
2) λ_s = Angle of inclination.
3) Insert tightening torque Nm

Ordering example: 2 pieces DDJNR 2525M 15-2
DDJNL 2525M 15-2
R = Right hand, L = Left hand

When using inserts with thickness 04 (4.76 mm), optional shims must be ordered. See page A319.

Main spare parts

Insert size	Shim (For insert thickness)	Shim screw	Key (Torx Plus)	Complete clamp set
15-2	5322 266-03 (7.94)	5513 020-02	5680 049-01 (15IP)	5412 032-021 ¹⁾

1) To modify CoroTurn® RC holders for other inserts, see clamp sets on page A300.

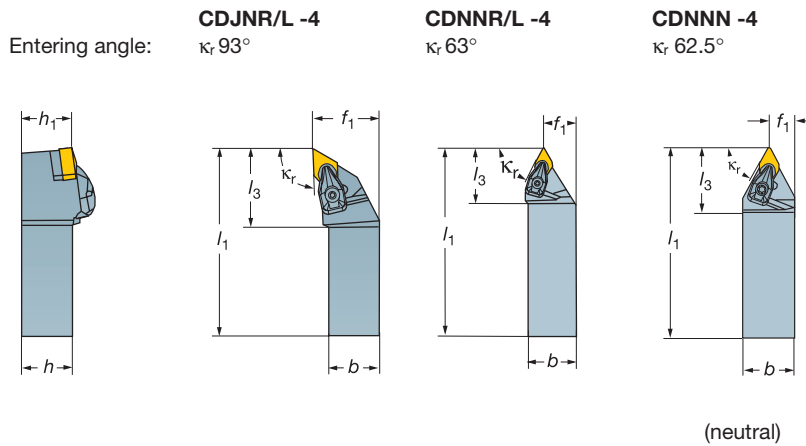


Shank tools

CoroTurn® RC rigid clamp design for ceramic inserts



DNGN



Right hand style shown when nothing else is stated

κ_r	Main application	Ordering code	Dimensions, mm									Gauge inserts	Nm ³⁾
			b	f ₁	h	h ₁	l ₁	l ₃	γ^1	λ_s^2			
93°		15 CDJNR/L 2525M 15-4	25	32.0	25	25	150	39.4	-6°	-7°	DNGN 15 07 08	3.9	
		CDJNR/L 3225P 15-4	25	32.0	32	32	170	39.4	-6°	-7°	DNGN 15 07 08	3.9	
		CDJNR/L 3232P 15-4	32	40.0	32	32	170	39.4	-6°	-7°	DNGN 15 07 08	3.9	
63°		15 CDNNR/L 3225P 15-4	25	13.0	32	32	170	41.2	-6°	-7°	DNGN 15 07 08	3.9	
62.5°		15 CDNNN 5040T 15-4	40	20.5	50	50	300	40.8	-5°	-9°	DNGN 15 07 08	3.9	

¹⁾ γ = Rake angle.
²⁾ λ_s = Angle of inclination.
³⁾ Insert tightening torque Nm

Ordering example: 2 pieces CDJNR 2525M 15-4
 CDJNL 2525M 15-4
 R = Right hand, L = Left hand

When using inserts with thickness 04 (4.76 mm), optional shims must be ordered. See page A317.

Main spare parts

Insert size	Shim (For insert thickness)	Shim screw	Key (Torx Plus)	Complete clamp set
15-4	5322 266-03 (7.94)	5513 020-02	5680 049-01 (15IP)	5412 034-021 ¹⁾

¹⁾ To modify CoroTurn® RC holders for other inserts, see clamp sets on page A300.

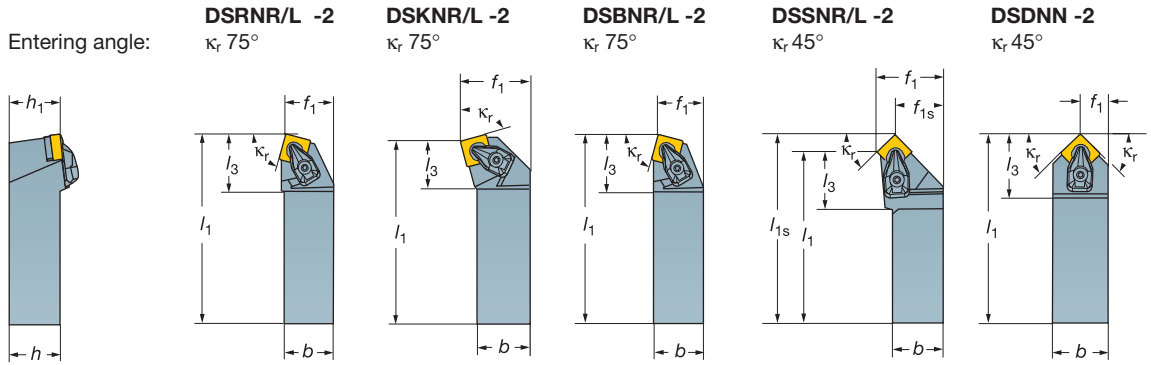


Shank tools

CoroTurn® RC rigid clamp slides for ceramic inserts



SNGQ
SNGA, SNMA



(neutral)

Right hand style shown when nothing else is stated

κ _r	Main application	□	Ordering code	Dimensions, mm										Gauge inserts	Nm ³⁾
				b	f ₁	f _{1s}	h	h ₁	l ₁	l _{1s}	l ₃	γ ¹⁾	λ _s ²⁾		
75°		12	DSRNR/L 2525M 12-2	25	27.0		25	25	150		34.3	-6°	-6°	SNGQ 12 07 08	3.9
			DSRNR/L 3225P 12-2	25	27.0		32	32	170		34.3	-6°	-6°	SNGQ 12 07 08	3.9
75°		12	DSKNR/L 2525M 12-2	25	32.0		25	25	150		23.6	-6°	-6°	SNGQ 12 07 08	3.9
			DSKNR/L 3225P 12-2	25	32.0		32	32	170		23.7	-6°	-6°	SNGQ 12 07 08	3.9
75°		12	DSBNR/L 2525M 12-2	25	22.0		25	25	150		34.3	-6°	-6°	SNGQ 12 07 08	3.9
45°		12	DSSNR/L 2525M 12-2	25	32.0	23.7	25	25	150	158.3	27.5	-8°	0°	SNGQ 12 07 08	3.9
			DSSNR/L 3225P 12-2	25	32.0	23.7	32	32	170	178.3	27.5	-8°	0°	SNGQ 12 07 08	3.9
45°		12	DSDNN 2525M 12-2	25	12.8		25	25	150		36.5	-6°	-6°	SNGQ 12 07 08	3.9
			DSDNN 3225P 12-2	25	12.8		32	32	170		36.5	-6°	-6°	SNGQ 12 07 08	3.9

1) γ = Rake angle.
2) λ_s = Angle of inclination.
3) Insert tightening torque Nm

Ordering example: 2 pieces DSRNR 2525M 12-2
DSRNL 2525M 12-2
R = Right hand, L = Left hand

When using inserts with thickness 04 (4.76 mm), optional shims must be ordered. See page A319.

Main spare parts

Insert size	Shim (For insert thickness)	Shim screw	Key (Torx Plus)	Complete clamp set
□				
12-2	5322 425-02 (7.94)	5513 020-02	5680 049-01 (15IP)	5412 032-021 ¹⁾

1) To modify CoroTurn® RC holders for other inserts, see clamp sets on page A300.



This catalogue has been split into smaller parts
to enhance downloading speeds.

If you want to view the next page
please click [HERE!](#)