

# Spare parts for Machine adapted clamping units

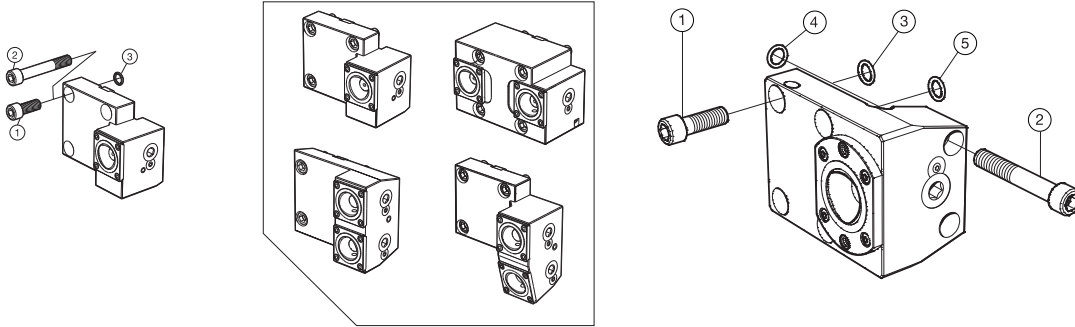


<b>BMT 65A, 75A, 85A</b>	
External clamping units	2
Internal clamping units	3
Driven tool holders	4
Holder for parting blade	6
<b>Doosan</b>	
Clamping units	7
Driven tool holders	8
<b>Gildemeister</b>	
Clamping units	9
<b>Mazak</b>	
External clamping units	10
Internal clamping units	12
Driven tool holders	14
Holder for parting blade	16
<b>Mazak MZ50V (-VDI)</b>	
External/internal clamping units	17
Driven tool holders	18
<b>Mori Seiki</b>	
External clamping units	19
Internal clamping units	20
Driven tool holders	22
Holder for parting blade	24
<b>Murata</b>	
Clamping units	25
<b>Nakamura Tome NA55A, NA65A</b>	
External clamping units	26
Internal clamping units	27
Driven tool holders	28
<b>Okuma</b>	
External clamping units	29
Internal clamping units	30
Driven tool holders	31
Holder for parting blade	32
<b>Parting blade adaptors</b>	
Straight design	33
Angled design	34
<b>Shank tool adaptors</b>	
Straight design	35
Angled design	36

# BMT

## Machine adapted clamping units

### CBI external



	Spare parts		
	1	2	3
Ordering code	Screw	Screw	O-ring
C4-TR/LE-BT55A	3212 010-461	3212 010-463	
C4-TR/LE-BT65A	3212 010-512		
C4-TR/LE-BT65A-DT	3212 010-545		5641 001-97
C4-TR/LE-BT65A-TT*	3212 010-512		
C4-TR/LE-BT65A-YT*	3212 010-513		
C5-TR/LE-BT65A	3212 010-512		
C5-TR/LE-BT75A	3212 010-513	3212 010-470	
C6-TR/LE-BT85A	3212 010-513	5512 060-26	

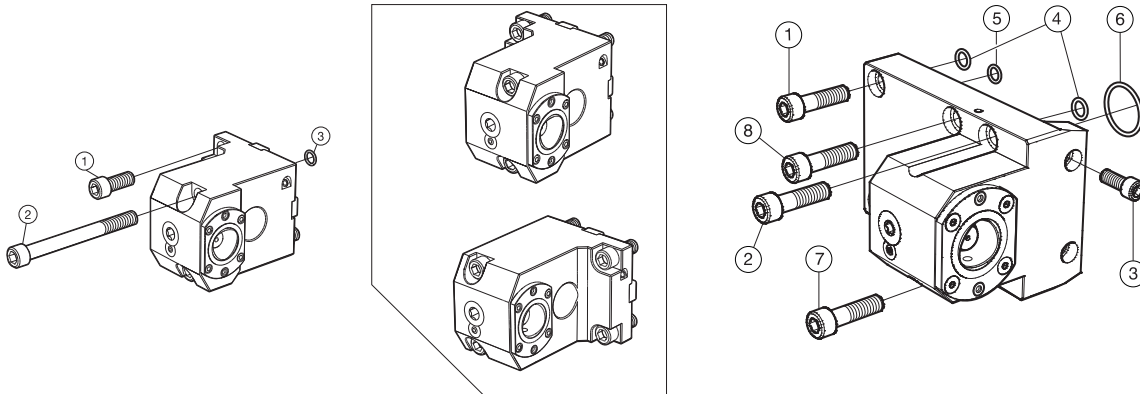
#### Note!

Clamping unit spare parts are the same as the type 2085 or type 2090, see spare part section in Turning tools 2012.

# BMT

## Machine adapted clamping units

### CBI internal



Spare parts			
	1	2	3
Ordering code	Screw	Screw	O-ring
C4-TR/LI-BT55A	3212 010-462	3212 010-471	
C4-TR/LI-BT65A	3212 010-512	3212 010-525	5641 001-97
C4-TR/LI-BT65A-SS	3212 010-512	3212 010-525	5641 001-97
C5-TR/LI-BT65A	3212 010-512	3212 010-525	5641 001-97
Spare parts			
	1	3	4
Ordering code	Screw	Screw	O-ring
C10-TR/LI-BT85A	3212 010-528	3212 010-516	5641 001-122
C5-TR/LI-BT75A	3212 010-524		
C6-TR/LI-BT75A	3212 010-545		
C6-TR/LI-BT85A	3212 010-524		
C8-TR/LI-BT85A	3212 010-526	3212 010-515	5641 001-122

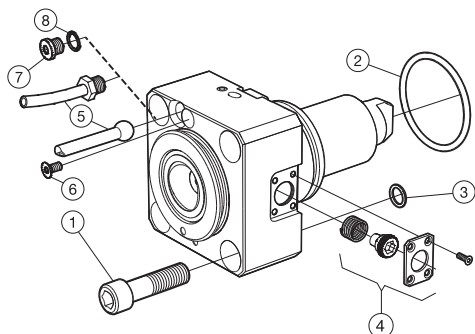
**Note!**

Clamping unit spare parts are the same as the type 2090, see spare part section in Turning tools 2012.

# BMT

## Machine adapted driven tool holders

CBI



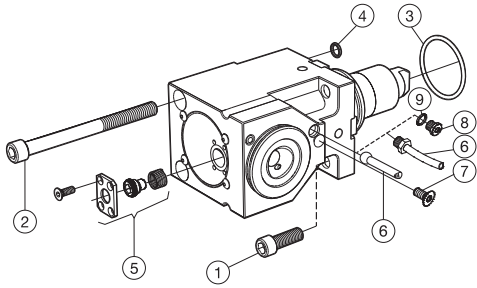
### External

	Spare parts				
	1	2	3	4	5a
Ordering code	Screw	O-ring	O-ring	Adaptor	Nozzle
C3-DNE-BT55A-E	3212 010-466	5641 001-106	5641 005-79	5253 009-01	5691 036-01
C3-DNE-BT55A-I	3212 010-466	5641 001-106	5641 005-79	5253 009-01	5691 036-01
C4-DNE-BT65A-E	3212 010-515	5641 001-115	5641 001-97	5253 007-02	5691 036-02
C4-DNE-BT65A-I	3212 010-515	5641 001-115	5641 001-97	5253 007-02	5691 036-02
C5-DNE-BT75A-E	3212 010-519	5641 001-94	5641 001-34	5253 012-01	5691 036-01
C5-DNE-BT75A-I	3212 010-519	5641 001-94	5641 001-34	5253 012-01	5691 036-01
C6-DNE-BT85A-E	5512 060-25	5641 001-116	5641 001-34	5253 012-02	
C6-DNE-BT85A-I	5512 060-25	5641 001-116	5641 001-34	5253 012-02	
	Spare parts				
	5b	6	7	8	
Ordering code	Coolant tube set	Screw	Pipe plug	Sealing ring	
C3-DNE-BT55A-E		3213 010-359			
C3-DNE-BT55A-I		3213 010-359			
C4-DNE-BT65A-E		3213 010-358			
C4-DNE-BT65A-I		3213 010-358			
C5-DNE-BT75A-E		3213 010-358			
C5-DNE-BT75A-I		3213 010-358			
C6-DNE-BT85A-E	5692 023-02				
C6-DNE-BT85A-I	5692 023-02		3611 008-101	5541 042-01	

# BMT

## Machine adapted clamping units

### CBI



### Internal

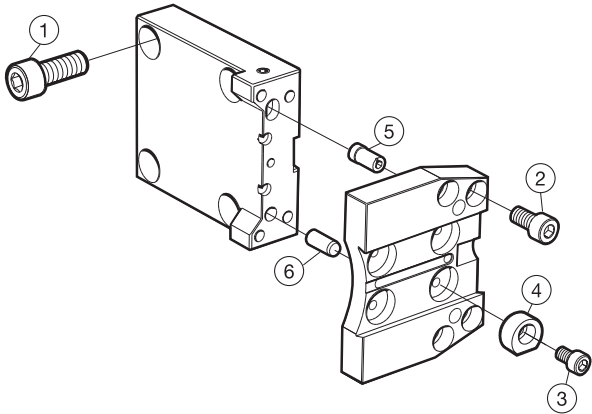
	Spare parts				
	1	2	3	4	5
Ordering code	Screw	Screw	O-ring	O-ring	Adaptor
C3-DNI-BT55A-E	3212 020-474		5641 001-106	5641 005-79	5253 011-03
C3-DNI-BT55A-I	3212 020-474		5641 001-106	5641 005-79	5253 011-03
C4-DNI-BT65A-E	3212 010-513	5512 060-25	5641 001-115	5641 001-97	5253 006-12
C4-DNI-BT65A-I	3212 010-513	5512 060-25	5641 001-115	5641 001-97	5253 006-12
C5-DNI-BT75A-E	3212 010-524		5641 001-94	5641 001-34	5253 012-01
C5-DNI-BT75A-I	3212 010-524		5641 001-94	5641 001-34	5253 012-01
C6-DNI-BT85A-E	3212 010-528		5641 001-116	5641 001-34	5253 012-02
C6-DNI-BT85A-I	3212 010-528		5641 001-116	5641 001-34	5253 012-02

	Spare parts				
	6a	6b	7	8	9
Ordering code	Nozzle	Coolant tube set	Screw	Pipe plug	Sealing ring
C3-DNI-BT55A-E	5691 036-01		3213 010-358		
C3-DNI-BT55A-I	5691 036-01		3213 010-358		
C4-DNI-BT65A-E	5691 036-02		3213 010-358		
C4-DNI-BT65A-I	5691 036-02		3213 010-358		
C5-DNI-BT75A-E	5691 036-01		3213 010-358		
C5-DNI-BT75A-I	5691 036-01		3213 010-358		
C6-DNI-BT85A-E		5692 023-02			
C6-DNI-BT85A-I		5692 023-02		3611 008-101	5541 042-01

# BMT

## Holder for parting blade

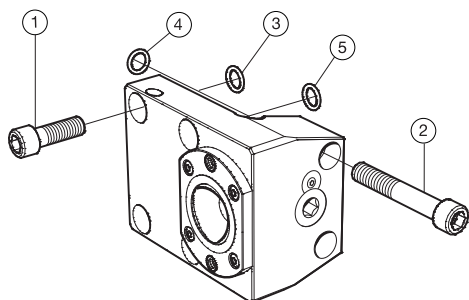


	Spare parts				
	1	2	3	4	5
Ordering code	Screw	Screw	Screw	Wedge	Eccentric pin
APB-TNE-BT65A-25	3212 010-511	3212 010-409	3212 010-357	5431 123-01	5333 011-01
	Spare parts				
	6				
Ordering code	Parallel pin				
APB-TNE-BT65A-25	3111 020-611				

# Doosan

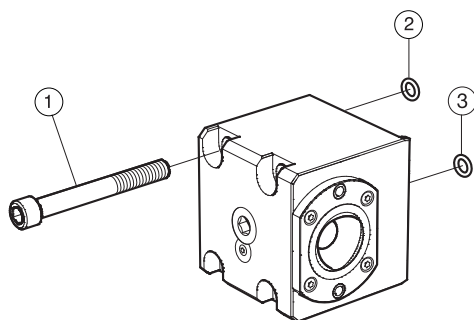
## Machine adapted clamping units

### External



	Spare parts	
	1	3
Ordering code	Screw	O-ring
C5-TR/LE-DO-A	3212 010-513	
C6-TR/LE-DO-C	3212 010-565	5641 001-131

### Internal



	Spare parts	
	1	2
Ordering code	Screw	O-ring
C10-TR/LI-DO-C	3212 010-576	
C5-TR/LI-DO-A	3212 020-523	5641 001-122
C6-TR/LI-DO-B	3212 010-521	
C6-TR/LI-DO-C	3212 010-573	
C8-TR/LI-DO-C	3212 010-573	

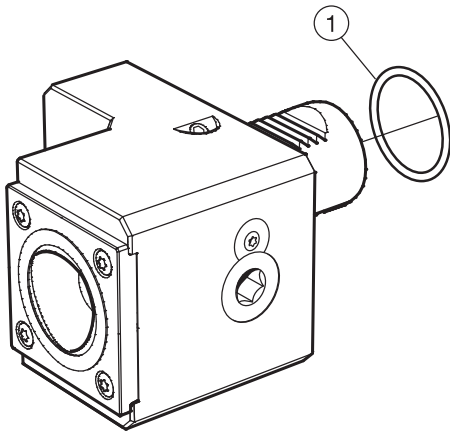
### Note!

Clamping unit spare parts are the same as the type 2090, see spare part section in Turning tools 2012.

# Gildemeister

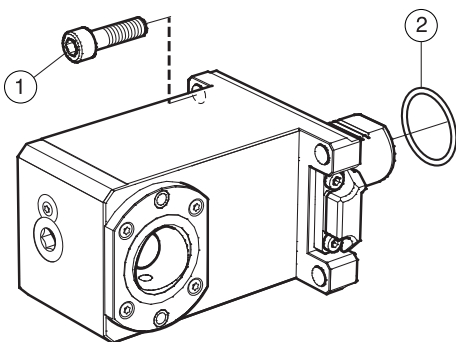
## Machine adapted clamping units

### External



	Spare parts	
	1	
Ordering code	O-ring	
C5-TLE-GM40V	5641 005-135	
C5-TRE-GM40V	5641 005-135	

### Internal



	Spare parts	
	1	2
Ordering code	Screw	O-ring
C5-TR/LI-GM40V-L	3212 010-462	5641 005-135
C5-TR/LI-GM40V-R	3212 010-462	5641 005-135

### Note!

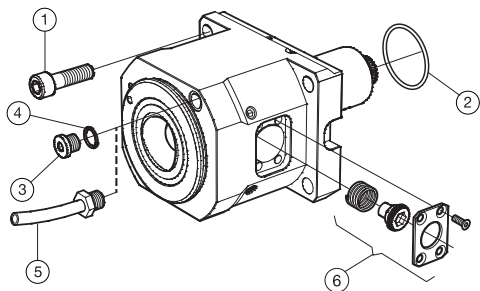
Clamping unit spare parts are the same as the type 2085 or type 2090, see spare part section in Turning tools 2012.



# Gildemeister

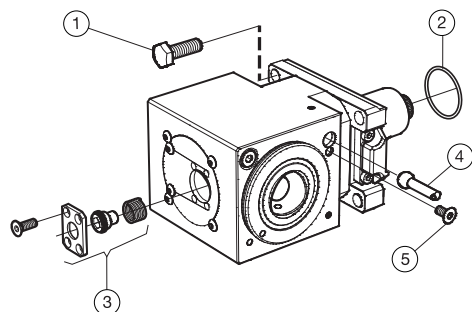
## Machine adapted driven tool holders

### External



Spare parts					
	1	2	3	4	5
Ordering code	Screw	O-ring	Plug	Sealing ring	Coolant tube set
C5-DNE-GM40V-E	3212 010-462	5641 005-135	3611 008-101	5541 042-01	5692 023-02
C5-DNE-GM40V-I	3212 010-462	5641 005-135	3611 008-101	5541 042-01	5692 023-02
Spare parts					
	6				
Ordering code	Adaptor				
C5-DNE-GM40V-E	5253 012-01				
C5-DNE-GM40V-I	5253 012-01				

### Internal

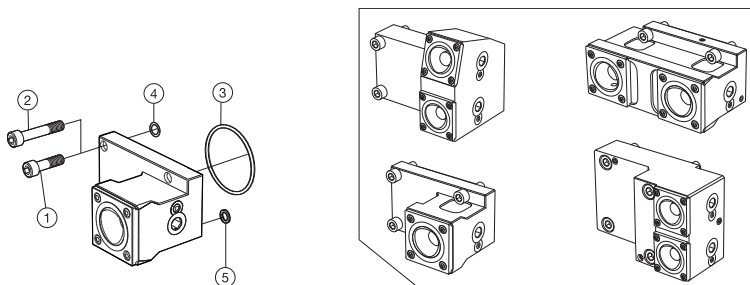


Spare parts					
	1	2	3	4	5
Ordering code	Screw	O-ring	Adaptor	Nozzle	Screw
C5-DNI-GM40V-E-L	3211 012-462	5641 005-135	5253 012-01	5691 036-01	3213 010-358
C5-DNI-GM40V-E-R	3211 012-462	5641 005-135	5253 012-01	5691 036-01	3213 010-358
C5-DNI-GM40V-I-L	3211 012-462	5641 005-135	5253 012-01	5691 036-01	3213 010-358
C5-DNI-GM40V-I-R	3211 012-462	5641 005-135	5253 012-01	5691 036-01	3213 010-358

# Mazak

## Machine adapted clamping units

### CBI external



	Spare parts				
	1	2	3	4	5
Ordering code	Screw	Screw	O-ring	O-ring	Kantseal
C4-TR/LE-MZ68B*	3212 010-413	3212 010-417	5641 001-107	5641 001-114	5641 070-07
C5-TR/LE-MZ68A	3212 010-463		5641 001-94	5641 001-93	5641 070-05
C5-TR/LE-MZ68A-DT	3212 010-463		5641 001-94	5641 001-93	5641 070-05
C5-TR/LE-MZ80A	3212 010-463	3212 010-466	5641 001-109	5641 001-93	5641 070-05

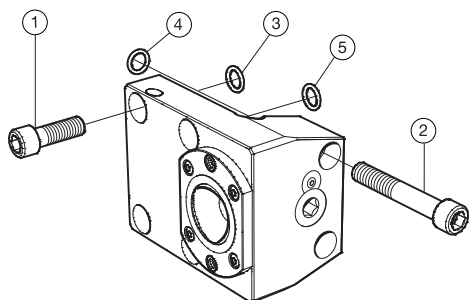
#### Note!

Clamping unit spare parts are the same as the type 2085, see spare part section in Turning tools 2012.

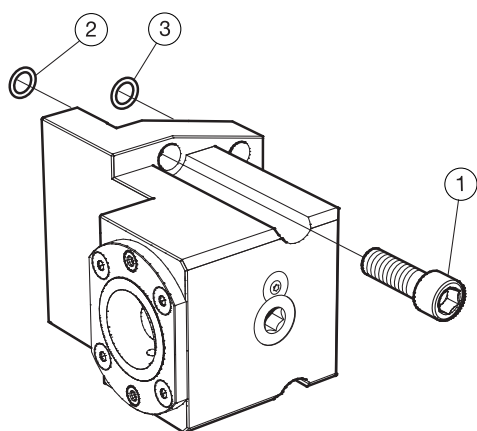
# Mazak

## Machine adapted clamping units

### External



	Spare parts				
	1	2	3	4	5
Ordering code	Screw	Screw	O-ring	O-ring	O-ring
C4-TLE-MZ-B	3212 010-410	3212 010-366		5641 001-123	
C4-TRE-MZ-B	3212 010-410	3212 010-366		5641 001-123	
C4-TR/LE-MZ-A	3212 010-412		5641 001-114		
C6-TR/LE-MZ-D	3212 010-565				5641 001-129
C6-TR/LE-MZ-E	3212 010-566				5641 001-129
C6-TR/LE-MZ-G	3212 010-565				5641 001-129
C6-TR/LE-MZ-H	3212 010-566				5641 001-129



	Spare parts		
	1	2	3
Ordering code	Screw	O-ring	Kantseal
C6-TR/LE-MZ-F	3212 010-566	5641 001-105	5641 070-05

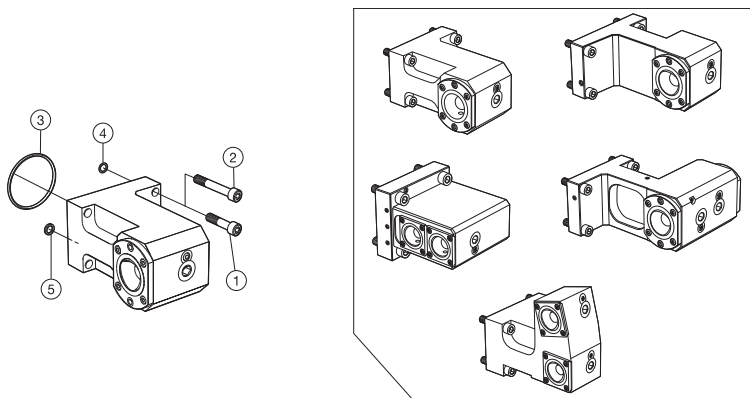
**Note!**

Clamping unit spare parts are the same as the type 2090, see spare part section in Turning tools 2012.

# Mazak

## Machine adapted clamping units

### CBI internal



	Spare parts				
	1	2	3	4	5
Ordering code	Screw	Screw	O-ring	O-ring	Kantseal
C4-TR/LI-MZ68B*	3212 010-413	5512 060-27	5641 001-107	5641 001-114	5641 070-07
C5-TR/LI-MZ68A	3212 010-466		5641 001-94	5641 001-93	5641 070-05
C5-TR/LI-MZ68A-DT	3212 010-466		5641 001-94	5641 001-93	5641 070-05
C5-TR/LI-MZ68A-SS	3212 010-465		5641 001-94	5641 001-93	5641 070-05
C5-TR/LI-MZ80A	3212 010-463	3212 010-476	5641 001-109	5641 001-93	5641 070-05

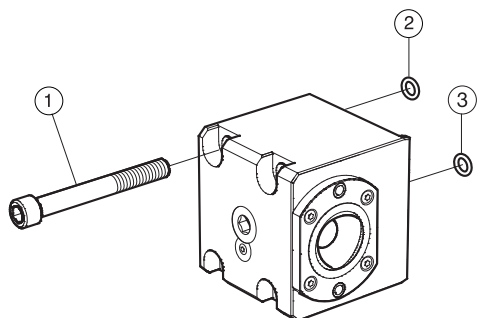
### Note!

Clamping unit spare parts are the same as the type 2085 or type 2090, see spare part section in Turning tools 2012.

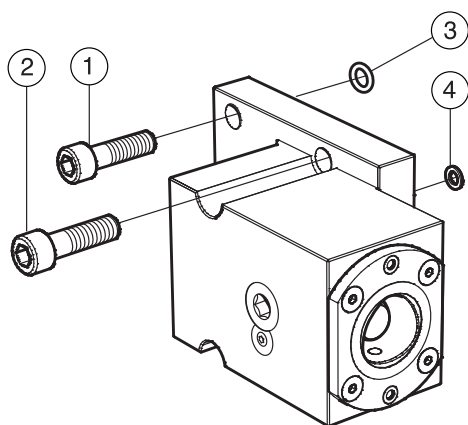
# Mazak

## Machine adapted clamping units

### Internal



	Spare parts		
	1	2	3
Ordering code	Screw	O-ring	O-ring
C10-TR/LI-MZ-D	3212 010-576		5641 001-129
C10-TR/LI-MZ-E	3212 010-573		5641 001-129
C10-TR/LI-MZ-G	3212 010-576		5641 001-129
C10-TR/LI-MZ-H	3212 010-572		5641 001-129
C4-TR/LI-MZ-A	3212 010-418	5641 001-114	
C4-TR/LI-MZ-B	3212 010-418	5641 001-114	
C5-TR/LI-MZ-B	3212 010-419	5641 001-114	
C6-TR/LI-MZ-C	3212 010-520		5641 001-128
C6-TR/LI-MZ-D	3212 010-565		5641 001-129
C6-TR/LI-MZ-E	3212 010-566		5641 001-129
C6-TR/LI-MZ-G	3212 010-565		5641 001-129
C6-TR/LI-MZ-H	3212 010-566		5641 001-129
C8-TR/LI-MZ-D	3212 010-567		5641 001-129
C8-TR/LI-MZ-E	3212 010-566		5641 001-129
C8-TR/LI-MZ-G	3212 010-566		5641 001-129
C8-TR/LI-MZ-H	3212 010-566		5641 001-129



	Spare parts			
	1	2	3	4
Ordering code	Screw	Screw	O-ring	Kantseal
C6-TR/LI-MZ-F	3212 010-566		5641 001-105	5641 070-05
C8-TR/LI-MZ-F	3212 010-566	3212 010-576	5641 001-105	5641 070-05

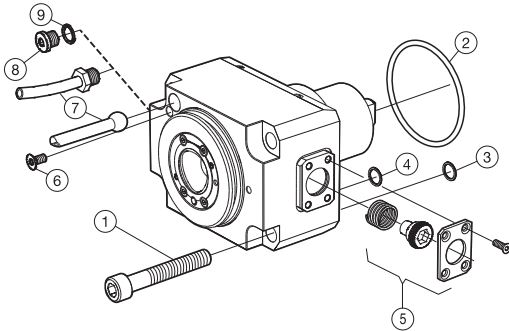
**Note!**

Clamping unit spare parts are the same as the type 2090, see spare part section in Turning tools 2012.

# Mazak

## Machine adapted driven tool holders

### External

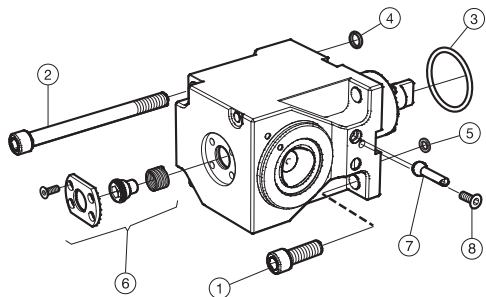


	Spare parts					
	1	2	3	4	5	
Ordering code	Screw	O-ring	O-ring	Kantseal	Adaptor	
C4-DNE-MZ68B-E	3212 010-411	5641 001-107	5641 001-114	5641 070-07	5253 007-02	
C4-DNE-MZ68B-I	3212 010-411	5641 001-107	5641 001-114	5641 070-07	5253 007-02	
C5-DNE-MZ68A-E	3212 010-469	5641 001-94	5641 001-93	5641 070-05	5253 006-05	
C5-DNE-MZ68A-I	3212 010-469	5641 001-94	5641 001-93	5641 070-05	5253 006-05	
C5-DNE-MZ80A-E	3212 010-463	5641 001-109	5641 001-93	5641 070-05	5253 006-05	
C5-DNE-MZ80A-I	3212 010-463	5641 001-109	5641 001-93	5641 070-05	5253 006-05	
	Spare parts					
	6	7a	7b	8	9	
Ordering code	Screw	Nozzle	Coolant tube set	Pipe plug	Sealing ring	
C4-DNE-MZ68B-E			5692 029-01			
C4-DNE-MZ68B-I			5692 029-01	3611 008-101	5541 042-01	
C5-DNE-MZ68A-E	3213 010-359	5691 036-02				
C5-DNE-MZ68A-I	3213 010-359	5691 036-02				
C5-DNE-MZ80A-E			5692 029-01			
C5-DNE-MZ80A-I			5692 029-01	3611 008-101	5541 042-01	

# Mazak

## Machine adapted driven tool holders

### Internal



Spare parts					
	1	2	3	4	5
Ordering code	Screw	O-ring	O-ring	Kantseal	Adaptor
C4-DNI-MZ68B-E	3212 010-411	5641 001-107	5641 001-114	5641 070-07	5253 006-12
C4-DNI-MZ68B-I	3212 010-411	5641 001-107	5641 001-114	5641 070-07	5253 006-12
C5-DNI-MZ68A-E	3212 010-463	5641 001-94		5641 070-05	5253 006-04
C5-DNI-MZ68A-I	3212 010-463	5641 001-94		5641 070-05	5253 006-04
C5-DNI-MZ80A-E	3212 010-462	5641 001-109	5641 001-93	5641 070-05	5253 012-01
C5-DNI-MZ80A-I	3212 010-462	5641 001-109	5641 001-93	5641 070-05	5253 012-01

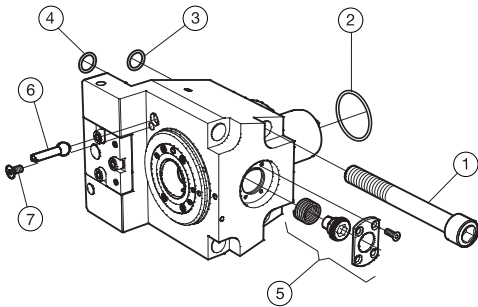
  

Spare parts			
	6	7	8
Ordering code	Nozzle	Screw	Angular adjustment set
C4-DNI-MZ68B-E	5691 036-01	3213 010-358	
C4-DNI-MZ68B-I	5691 036-01	3213 010-358	
C5-DNI-MZ68A-E	5691 036-01	3213 010-358	
C5-DNI-MZ68A-I	5691 036-01	3213 010-358	
C5-DNI-MZ80A-E	5691 036-01	3213 010-358	5337 002-01
C5-DNI-MZ80A-I	5691 036-01	3213 010-358	5337 002-01

# Mazak

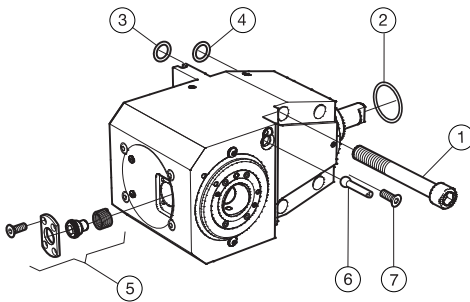
## Machine adapted driven tool holders

### External



Spare parts					
	1	2	3	4	5
Ordering code	Screw	O-ring	O-ring	Kantseal	Adaptor
C5-DNE-MZ-F-E	3212 010-576	5641 001-105	5641 001-121	5641 070-05	5253 006-01
C5-DNE-MZ-F-I	3212 010-576	5641 001-105	5641 001-121	5641 070-05	5253 006-01
Spare parts					
	6	7			
Ordering code	Nozzle	Screw			
C5-DNE-MZ-F-E	5691 036-01	3213 010-358			
C5-DNE-MZ-F-I	5691 036-01	3213 010-358			

### Internal

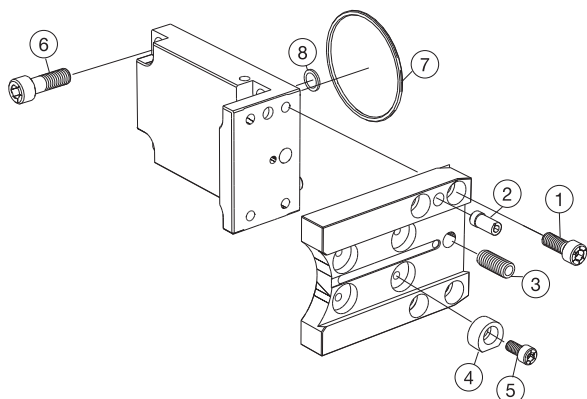


Spare parts					
	1	2	3	4	5
Ordering code	Screw	O-ring	O-ring	Kantseal	Adaptor
C5-DNI-MZ-F-E	3212 010-576	5641 001-121	5641 001-105	5641 070-05	5253 006-01
C5-DNI-MZ-F-I	3212 010-576	5641 001-121	5641 001-105	5641 070-05	5253 006-01
Spare parts					
	6	7			
Ordering code	Nozzle	Screw			
C5-DNI-MZ-F-E	5691 036-01	3213 010-358			
C5-DNI-MZ-F-I	5691 036-01	3213 010-358			



# Mazak

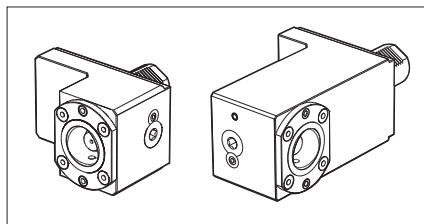
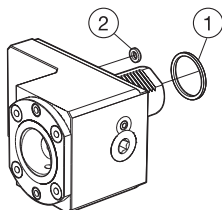
## Holder for parting blade



	Spare parts				
	1	2	3	4	5
Ordering code	Screw	Eccentric pin	Parallel pin	Wedge	Screw
APB-TNE-MZ68A-25	3212 010-463	5333 011-01	3111 050-662	5431 123-01	3212 010-357
	Spare parts				
	6	7	8		
Ordering code	Screw	O-ring	Kantseal		
APB-TNE-MZ68A-25	3212 010-410	5641 001-94	5641 070-05		

## Mazak MZ50V (-VDI)

### Machine adapted clamping units



#### External

	Spare parts	
	1	2
Ordering code	O-ring	Kantseal
C4-TR/LE-MZ40V	5641 005-136	5641 070-07
C4-TR/LE-MZ40X	5641 001-120	5641 070-07
C6-TR/LE-MZ50V	5641 005-112	5641 070-07

#### Internal

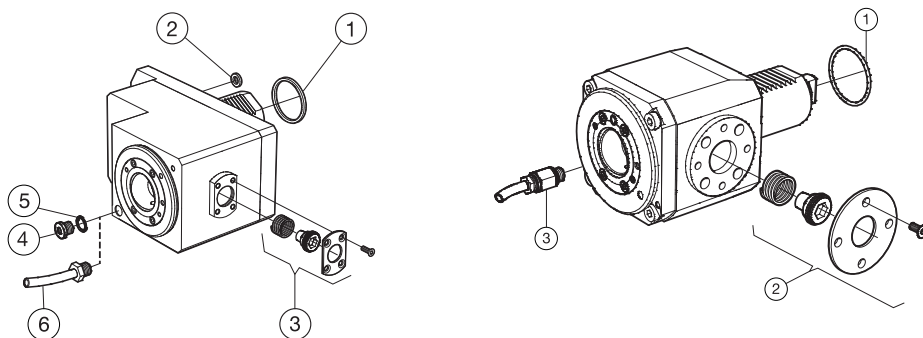
	Spare parts	
	1	2
Ordering code	O-ring	Kantseal
C4-TR/LI-MZ40V	5641 005-136	5641 070-07
C4-TR/LI-MZ40X	5641 001-120	5641 070-07
C6-TR/LI-MZ50V	5641 005-112	5641 070-07

#### Note!

Clamping unit spare parts are the same as the type 2090, see spare part section in Turning tools 2012.

# Mazak MZ50V (-VDI)

## Machine adapted driven tool holders

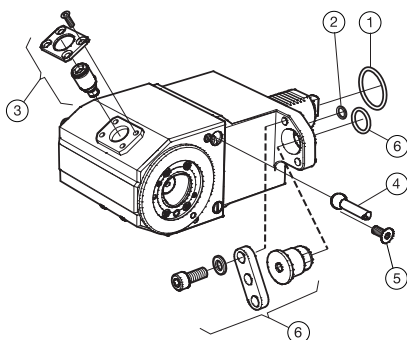


### External

	Spare parts					Included parts
	1	2	3	4	5	6
Ordering code	O-ring	Kantseal	Adaptor	Plug	Sealing ring	Coolant tube set
C4-DNE-MZ40V-E	5641 005-136		5253 006-14			5692 021-01
C4-DNE-MZ40V-I	5641 005-136		5253 006-14	3611 008-101	5541 042-01	5692 021-01
C5-DNE-MZ50V-E	5641 005-112	5641 070-07	5253 006-01			5692 029-01
C5-DNE-MZ50V-I	5641 005-112	5641 070-07	5253 006-01	3611 008-101	5541 042-01	5692 029-01

	Spare parts		
	1	2	3
Ordering code	O-ring	Adaptor	Coolant tube set
C4-DNE-MZ40X-E	5641 005-136	5253 006-14	5692 029-03
C4-DNE-MZ40X-I	5641 005-136	5253 006-14	5692 029-03



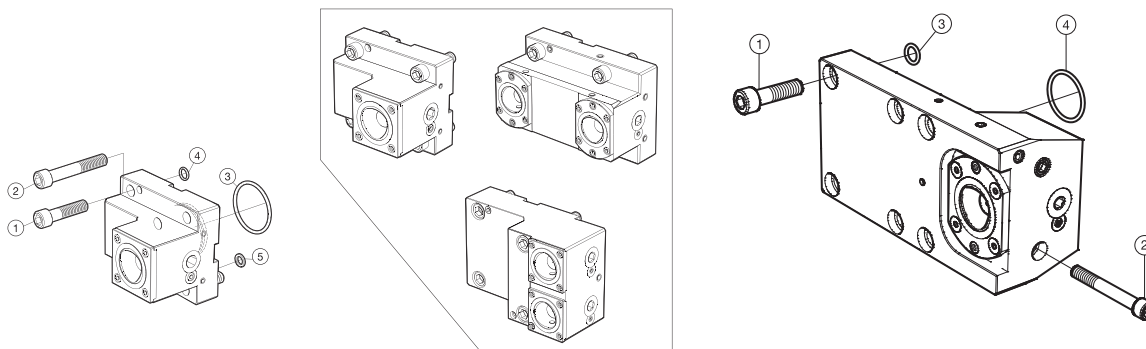
### Internal

	Spare parts					
	1	2	3	4	5	6
Ordering code	O-ring	Kantseal	Adaptor	Nozzle	Screw	Angular adjustment set
C4-DNI-MZ40V-E	5641 005-136	5641 070-07	5253 006-02	5691 036-01	3213 010-358	
C4-DNI-MZ40V-I	5641 005-136	5641 070-07	5253 006-02	5691 036-01	3213 010-358	
C4-DNI-MZ40X-E	5641 005-136	5641 070-07	5253 006-02	5691 036-01	3213 010-358	5337 003-01
C4-DNI-MZ40X-I	5641 005-136	5641 070-07	5253 006-02	5691 036-01	3213 010-358	5337 003-01
C5-DNI-MZ50V-E	5641 005-112	5641 070-07	5253 006-01	5691 036-01	3213 010-358	
C5-DNI-MZ50V-I	5641 005-112	5641 070-07	5253 006-01	5691 036-01	3213 010-358	

# Mori Seiki

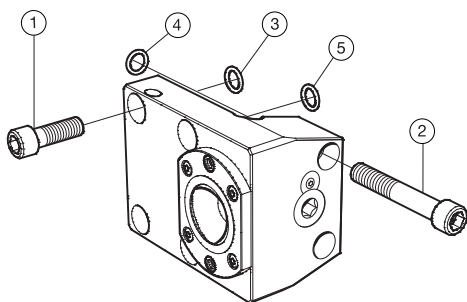
## Machine adapted clamping units

### External



	Spare parts				
	1	2	3	4	5
Ordering code	Screw	Screw	O-ring	O-ring	Kantseal
C4-TR/LE-MS40A	3212 010-465		5641 005-110	5641 001-93	5641 070-04
C4-TR/LE-MS40A-DT	3212 010-465		5641 005-110	5641 001-93	5641 070-04
C4-TR/LE-MS40A-YT	3212 010-466		5641 005-110	5641 001-93	5641 070-04
C4-TR/LE-MS60A	3212 010-516		5641 005-109	5641 001-97	5641 070-05
C4-TR/LE-MS60A-DT	3212 010-516		5641 005-109	5641 001-97	5641 070-05
C4-TR/LE-MS60A-YT	3212 010-515	3212 010-521	5641 005-109	5641 001-97	5641 070-05
C5-TR/LE-MS60A	3212 010-516		5641 005-109	5641 001-97	5641 070-05
C5-TR/LE-MS60A-DT	3212 010-516		5641 005-109	5641 001-97	5641 070-05

	Spare parts			
	1	2	3	4
Ordering code	Screw	Screw	Kantseal	O-ring
C6-TR/LE-MS75A	3212 010-566		5641 070-08	5641 005-114
C6-TR/LE-MS110A	3212 010-567	3212 010-522	5641 070-08	



	Spare parts	
	1	2
Ordering code	Screw	Screw
C4-TR/LE-MS-A	3212 010-513	3212 010-412
C5-TR/LE-MS-C	3212 010-566	
C6-TR/LE-MS-C	3212 010-564	

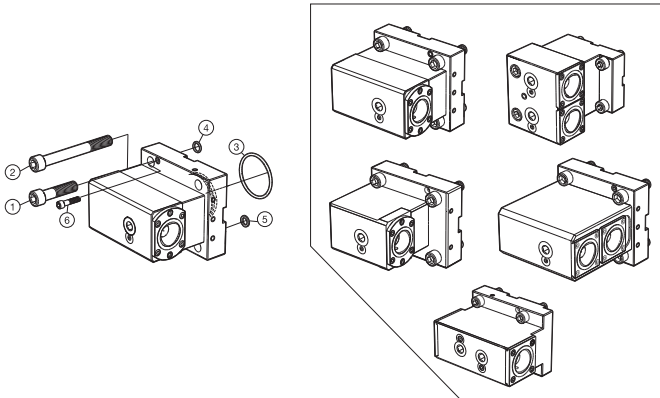
### Note!

Clamping unit spare parts are the same as the type 2085 or type 2090, see spare part section in Turning tools 2012.

# Mori Seiki

## Machine adapted clamping units

### Internal



	Spare parts				
	1	2	3	4	5
Ordering code	Screw	Screw	O-ring	O-ring	Kantseal
C4-TR/LI-MS40A	3212 010-475		5641 005-110	5641 001-93	5641 070-04
C4-TR/LI-MS40A-DT	3212 010-475		5641 005-110	5641 001-93	5641 070-04
C4-TR/LI-MS40A-SS*	3212 010-475	3212 010-464	5641 005-110	5641 001-93	5641 070-04
C4-TR/LI-MS40A-YT	3212 010-475	3212 010-463	5641 005-110	5641 001-93	5641 070-04
C4-TR/LI-MS60A	3212 010-516		5641 005-109	5641 001-97	5641 070-05
C4-TR/LI-MS60A-SS	3212 010-516		5641 005-109	5641 001-97	5641 070-05
C4-TR/LI-MS60A-XT	3212 010-516		5641 005-109	5641 001-97	5641 070-05
C5-TR/LI-MS60A	3212 010-516		5641 005-109	5641 001-97	5641 070-05
C5-TR/LI-MS60A-DE	3212 010-516		5641 005-109	5641 001-97	5641 070-05
C5-TR/LI-MS60A-DT	3212 010-516		5641 005-109	5641 001-97	5641 070-05
C5-TR/LI-MS60A-ET	3212 010-516		5641 005-109	5641 001-97	5641 070-05
C5-TR/LI-MS60A-SS	3212 010-516		5641 005-109	5641 001-97	5641 070-05
C6-TR/LI-MS60A	3212 010-516	5512 060-25	5641 005-109	5641 001-97	5641 070-05
	Spare parts				
	6	6b			
Ordering code	Screw	Screw			
C4-TR/LI-MS40A					
C4-TR/LI-MS40A-DT					
C4-TR/LI-MS40A-SS*					
C4-TR/LI-MS40A-YT					
C4-TR/LI-MS60A					
C4-TR/LI-MS60A-SS					
C4-TR/LI-MS60A-XT					
C5-TR/LI-MS60A					
C5-TR/LI-MS60A-DE	3214 020-411				
C5-TR/LI-MS60A-DT	3214 020-411				
C5-TR/LI-MS60A-ET	3214 020-411				
C5-TR/LI-MS60A-SS					
C6-TR/LI-MS60A	3214 020-411	5514 011-03			

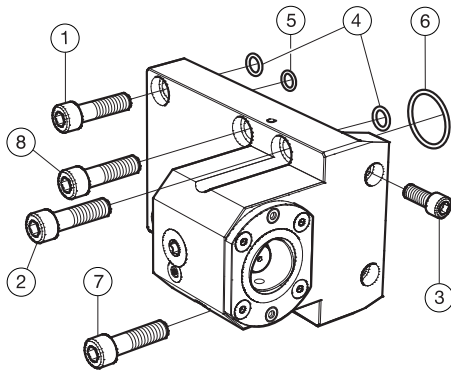
### Note!

Clamping unit spare parts are the same as the type 2085 or type 2090, see spare part section in Turning tools 2012.

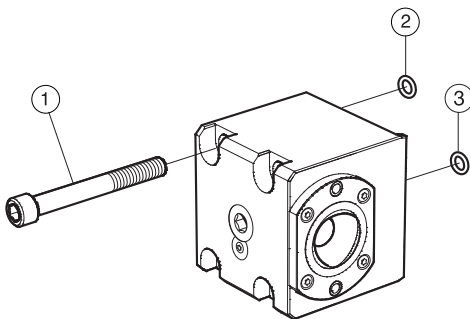
# Mori Seiki

## Machine adapted clamping units

### Internal



Spare parts					
	1	2	3	4	5
Ordering code	Screw	Screw	Screw	O-ring	Kantseal
C6-TR/LI-MS75A	3212 010-566	3212 010-576		5641 001-105	5641 070-08
C6-TR/LI-MS110A	3212 010-567		3212 010-512		5641 070-08
Spare parts					
	6	7	8		
Ordering code	O-ring	Screw	Screw		
C6-TR/LI-MS75A	5641 005-114	3214 010-415	5514 010-14		
C6-TR/LI-MS110A					



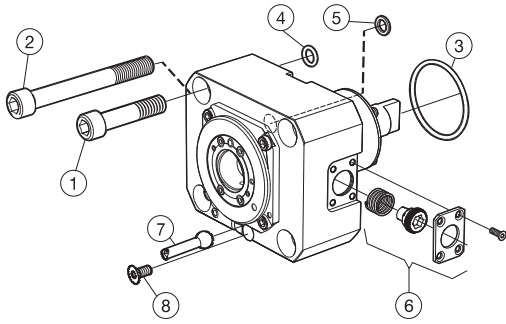
Spare parts			
	1	2	3
Ordering code	Screw	O-ring	O-ring
C4-TR/LI-MS-A	3212 010-517	5641 001-122	
C5-TR/LI-MS-A	3212 010-517	5641 001-122	
C6-TR/LI-MS-B	3212 010-572		5641 001-127
C6-TR/LI-MS-C	3212 010-573		
C8-TR/LI-MS-C	3212 010-573		

**Note!**

Clamping unit spare parts are the same as the type 2090, see spare part section in Turning tools 2012.

# Mori Seiki

## Machine adapted driven tool holders

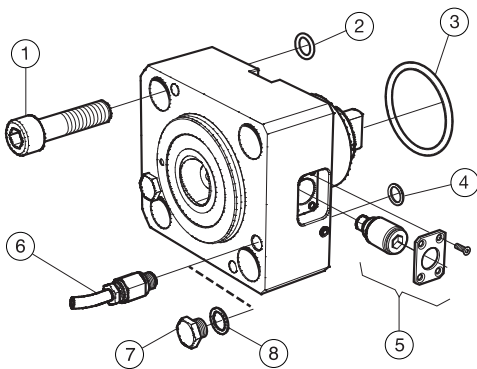


### External

Spare parts					
	1	2	3	4	5
Ordering code	Screw	Screw	O-ring	O-ring	Kantseal
C3-DNE-MS40A-I	3212 010-468		5641 005-110	5641 001-93	5641 070-04
C4-DNE-MS40A-E	3212 010-466		5641 005-110	5641 001-93	5641 070-04
C4-DNE-MS60A-E	3212 010-517	3213 010-357	5641 005-109	5641 001-97	5641 070-05
C4-DNE-MS60A-I	3212 010-517	3213 010-357	5641 005-109	5641 001-97	5641 070-05
C5-DNE-MS60A-E	3212 010-517	3213 010-357	5641 005-109	5641 001-97	5641 070-05

Spare parts			
	6	7	8
Ordering code	Adaptor	Nozzle	Screw
C3-DNE-MS40A-I	5253 007-01	5691 036-01	3213 010-358
C4-DNE-MS40A-E	5253 007-02	5691 036-01	3213 010-358
C4-DNE-MS60A-E	5253 008-01	5691 036-01	3213 010-358
C4-DNE-MS60A-I	5253 008-01	5691 036-01	3213 010-358
C5-DNE-MS60A-E	5253 008-02	5691 036-01	3213 010-358



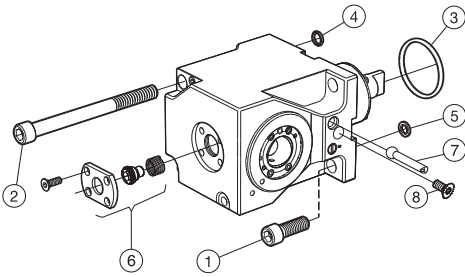
Spare parts					
	1	2	3	4	5
Ordering code	Screw	O-ring	O-ring	Kantseal	Adaptor
C5-DNE-MS75A-E	3212 010-570	5641 001-105	5641 005-114	5641 070-08	5253 006-05
C5-DNE-MS75A-I	3212 010-570	5641 001-105	5641 005-114	5641 070-08	5253 006-05
C6-DNE-MS110A-E	3212 010-566		5641 005-116	5641 070-08	5253 008-03
C6-DNE-MS110A-I	3212 010-566		5641 005-116	5641 070-08	5253 008-03

Spare parts			
	6	7	8
Ordering code	Coolant tube set	Pipe plug	Sealing ring
C5-DNE-MS75A-E	5691 029-02	5511 060-01	5541 042-03
C5-DNE-MS75A-I	5691 029-02	5511 060-01	5541 042-03
C6-DNE-MS110A-E	5692 029-02	5511 060-01	5541 042-03
C6-DNE-MS110A-I	5692 029-02	5511 060-01	5541 042-03

# Mori Seiki

## Machine adapted driven tool holders

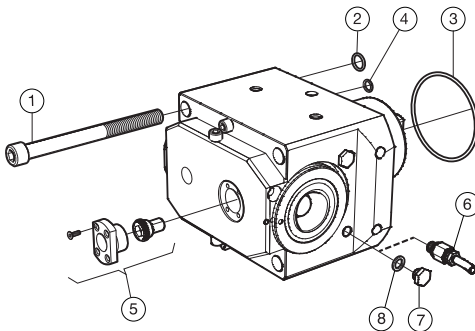


### Internal

Spare parts					
	1	2	3	4	5
Ordering code	Screw	Screw	O-ring	O-ring	Kantseal
C4-DNI-MS40A-E	3212 010-462		5641 005-110	5641 001-93	5641 070-04
C4-DNI-MS40A-I	3212 010-462		5641 005-110	5641 001-93	5641 070-04
C4-DNI-MS60A-E	3212 010-513	5512 060-25	5641 005-109	5641 001-97	5641 070-05
C4-DNI-MS60A-I	3212 010-513	5512 060-25	5641 005-109	5641 001-97	5641 070-05
C5-DNI-MS60A-E	3212 010-513	5512 060-25	5641 005-109	5641 001-97	5641 070-05
C5-DNI-MS60A-I	3212 010-513	5512 060-25	5641 005-109	5641 001-97	5641 070-05

Spare parts			
	6	7	8
Ordering code	Adaptor	Nozzle	Screw
C4-DNI-MS40A-E	5253 006-12	5691 036-01	3213 010-358
C4-DNI-MS40A-I	5253 006-12	5691 036-01	3213 010-358
C4-DNI-MS60A-E	5253 006-09	5691 036-01	3213 010-358
C4-DNI-MS60A-I	5253 006-09	5691 036-01	3213 010-358
C5-DNI-MS60A-E	5253 006-13	5691 036-01	3213 010-358
C5-DNI-MS60A-I	5253 006-13	5691 036-01	3213 010-358



Spare parts					
	1	2	3	4	5
Ordering code	Screw	O-ring	O-ring	Kantseal	Adaptor
C5-DNI-MS75A-E	3212 010-579	5641 001-105	5641 005-114	5641 070-08	5253 011-01
C5-DNI-MS75A-I	3212 010-579	5641 001-105	5641 005-114	5641 070-08	5253 011-01
C6-DNI-MS110A-E	3212 010-579		5641 005-116	5641 070-08	5253 011-02
C6-DNI-MS110A-I	3212 010-579		5641 005-116	5641 070-08	5253 011-02

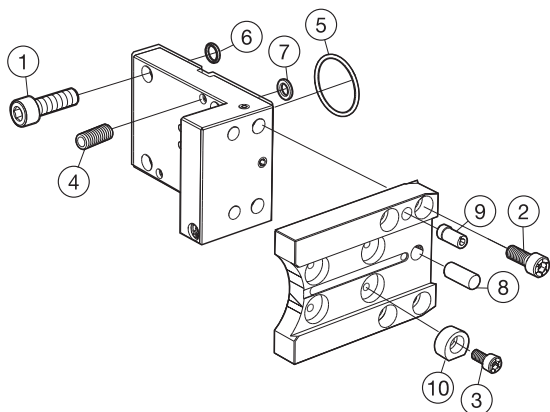
  

Spare parts			
	6	7	8
Ordering code	Coolant tube set	Pipe plug	Sealing ring
C5-DNI-MS75A-E	5692 029-02	5511 060-01	5541 042-03
C5-DNI-MS75A-I	5692 029-02	5511 060-01	5541 042-03
C6-DNI-MS110A-E	5692 029-02	5511 060-01	5541 042-03
C6-DNI-MS110A-I	5692 029-02	5511 060-01	5541 042-03

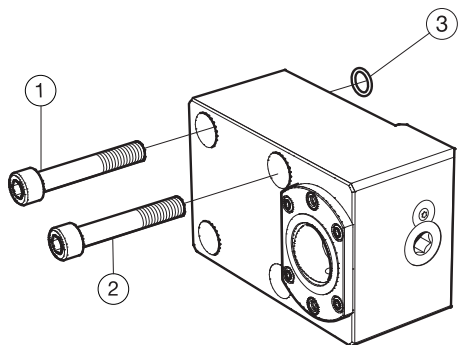


# Mori Seiki

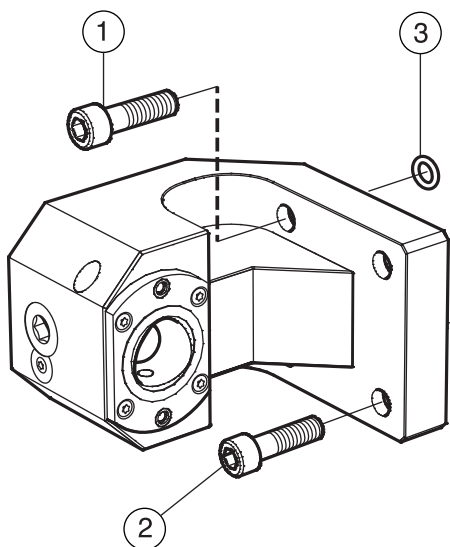
## Holder for parting blade



Spare parts					
	1	2	3	4	5
Ordering code	Screw	Screw	Screw	Screw	O-ring
APB-TNE-MS40A-25	3212 010-463	3212 010-410	3212 010-357	3214 010-360	5641 005-110
APB-TNE-MS60A-25	3212 010-513	3212 010-410	3212 010-357	3214 010-412	5641 005-109
Spare parts					
	6	7	8	9	10
Ordering code	O-ring	Kantseal	Parallel pin	Eccentric pin	Wedge
APB-TNE-MS40A-25	5641 001-93	5641 070-04	3111 020-611	5333 011-01	5431 123-01
APB-TNE-MS60A-25		5641 070-05	3111 020-611	5333 011-01	5431 123-01



	Spare parts		
	1	2	3
Ordering code	Screw	Screw	O-ring
C4-TR/LE-MA-A	3212 010-468		5641 001-93
C4-TR/LE-MA-B	3212 010-545	3212 010-514	5641 001-97



	Spare parts		
	1	2	3
Ordering code	Screw	Screw	O-ring
C4-TR/LI-MA-A	3212 010-463		5641 001-93
C4-TR/LI-MA-B	3212 010-512	5512 060-25	5641 001-97

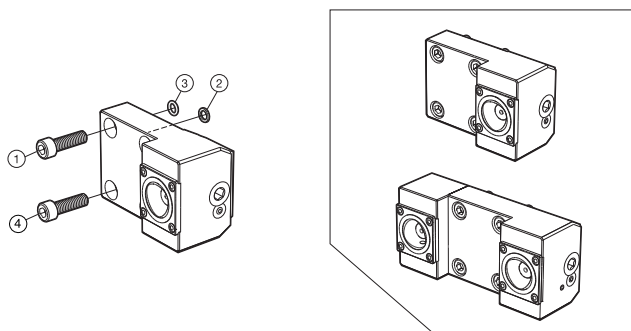
**Note!**

Clamping unit spare parts are the same as the type 2085 or type 2090, see spare part section in Turning tools 2012.

# Nakamura Tome NA55A, NA65A

Machine adapted clamping units

CBI external



	Spare parts			
	1	2	3	4
Ordering code	Screw	Kantseal	O-ring	Screw
C4-TR/LE-NA55A	3212 010-463	5641 070-04	5641 005-79	
C4-TR/LE-NA55A-DT	3212 010-463	5641 070-04	5641 005-79	
C4-TR/LE-NA65A	3212 010-516	5641 070-04	5641 001-34	
C4-TR/LE-NA65A-DT	3212 010-516	5641 070-04	5641 001-34	
C5-TR/LE-NA75A	3212 010-513	5641 070-07	5641 001-97	3212 010-545

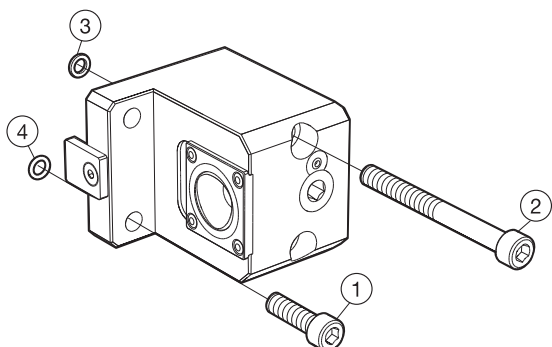
## Note!

Clamping unit spare parts are the same as the type 2085, see spare part section in Turning tools 2012.

# Nakamura Tome NA55A, NA65A

Machine adapted clamping units

CBI internal



	Spare parts			
	1	2	3	4
Ordering code	Screw	Screw	Kantseal	O-ring
C4-TR/LI-NA55A	3212 010-463	3212 010-473	5641 070-04	5641 005-79
C4-TR/LI-NA65A	3212 010-514		5641 070-04	5641 001-34
C4-TR/LI-NA65A-SS	3212 010-514		5641 070-04	5641 001-34
C5-TR/LI-NA75A	3212 010-526		5641 070-07	5641 001-97

## Note!

Clamping unit spare parts are the same as the type 2085, see spare part section in Turning tools 2012.

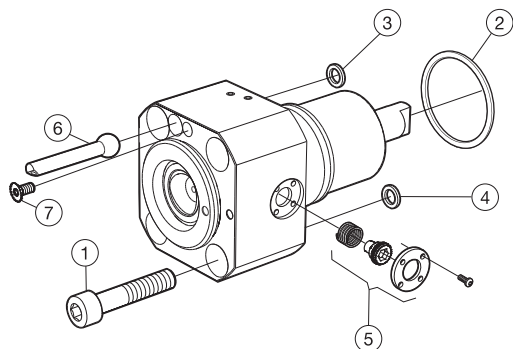
# Nakamura Tome NA55A, NA65A

Machine adapted driven tool holders

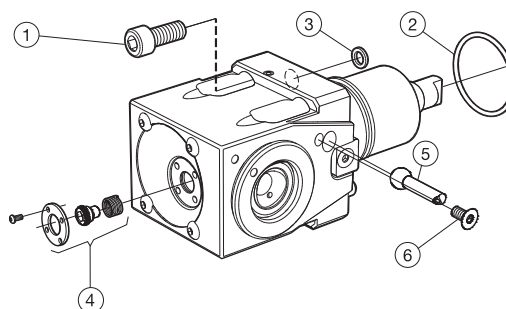
CBI



External



Internal



## External

Spare parts							
	1	2	3	4	5	6	7
Ordering code	Screw	O-ring	Kantseal	O-ring	Adaptor	Nozzle	Screw
C3-DNE-NA55A-E	3212 010-466	5641 001-106	5641 070-04	5641 005-79	5253 009-01	5691 036-01	3213 010-358
C3-DNE-NA55A-I	3212 010-466	5641 001-106	5641 070-04	5641 005-79	5253 009-01	5691 036-01	3213 010-358
C4-DNE-NA65A-E	3212 010-516	5641 005-113	5641 070-04	5641 001-34	5253 007-02	5691 036-01	3213 010-358
C4-DNE-NA65A-I	3212 010-516	5641 005-113	5641 070-04	5641 001-34	5253 007-02	5691 036-01	3213 010-358
C5-DNE-NA75A-E	3212 010-519	5641 005-132	5641 070-07	5641 001-34	5253 012-01	5691 036-01	3213 010-358
C5-DNE-NA75A-I	3212 010-519	5641 005-132	5641 070-07	5641 001-34	5253 012-01	5691 036-01	3213 010-358

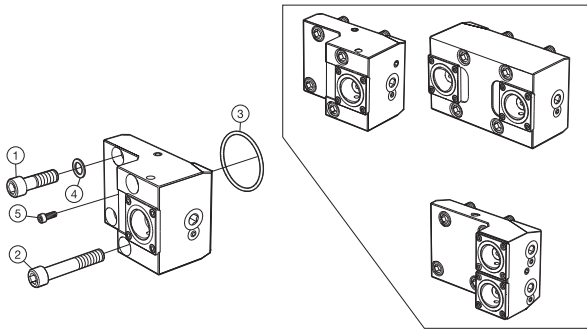
## Internal

Spare parts						
	1	2	3	4	5	6
Ordering code	Screw	O-ring	Kantseal	Adaptor	Nozzle	Screw
C3-DNI-NA55A-E	3212 010-461	5641 001-106	5641 070-04	5253 009-02	5691 036-01	3213 010-358
C3-DNI-NA55A-I	3212 010-461	5641 001-106	5641 070-04	5253 009-02	5691 036-01	3213 010-358
C4-DNI-NA65A-E	3212 010-511	5641 005-113	5641 070-05	5253 006-12	5691 036-01	3213 010-358
C4-DNI-NA65A-I	3212 010-511	5641 005-113	5641 070-05	5253 006-12	5691 036-01	3213 010-358
C5-DNI-NA75A-E	3212 010-513	5641 005-132	5641 070-07	5253 012-01	5691 036-01	3213 010-358
C5-DNI-NA75A-I	3212 010-513	5641 005-132	5641 070-07	5253 012-01	5691 036-01	3213 010-358

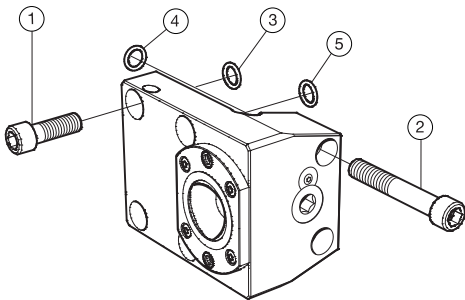
# Okuma

## Machine adapted clamping units

### CBI external



	Spare parts				
	1	2	3	4	5
Ordering code	Screw	Screw	O-ring	Shim ring	Screw
C4-TR/LE-OK55A*	3212 010-463		5641 001-106		3214 010-361
C4-TR/LE-OK55A-DT*	3212 010-466		5641 001-106		3214 010-364
C4-TR/LE-OK60A	3212 010-514	3212 010-520	5641 001-107	3411 112-306	
C4-TR/LE-OK60A-DT	3212 010-520		5641 001-107	3411 112-306	
C4-TR/LE-OK60A-YT	3212 010-514		5641 001-107	3411 112-306	
C5-TR/LE-OK60B	3212 010-514	3212 010-520	5641 001-107	3411 112-306	
C5-TR/LE-OK60B-YT	3212 010-514		5641 001-107	3411 112-306	



	Spare parts	
	1	5
Ordering code	Screw	O-ring
C4-TR/LE-OK-A	3212 010-461	
C4-TR/LE-OK-B	3212 010-512	
C5-TR/LE-OK-A	3212 010-461	
C5-TR/LE-OK-B	3212 010-514	
C5-TR/LE-OK-E	3212 010-565	5641 001-129
C5-TR/LE-OK-F	3212 010-566	5641 001-129

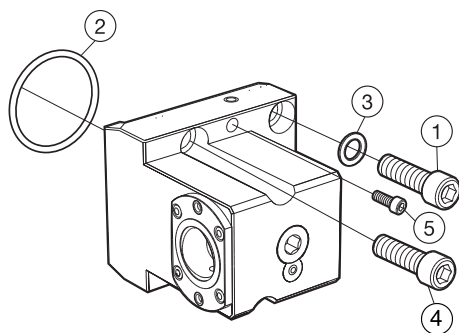
### Note!

Clamping unit spare parts are the same as the type 2085 or type 2090, see spare part section in Turning tools 2012.

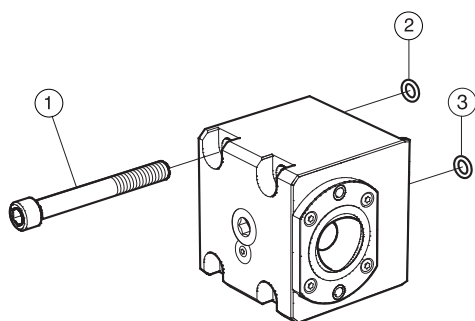
# Okuma

## Machine adapted clamping units

### CBI internal



	Spare parts				
	1	2	3	4	5
Ordering code	Screw	O-ring	Shim ring	Screw	Screw
C4-TR/LI-OK55A	3212 010-463	5641 001-106		3212 010-473	3214 010-365
C4-TR/LI-OK60A	3212 010-514	5641 001-107	3411 112-306		
C4-TR/LI-OK60A-SS	3212 010-514	5641 001-107	3411 112-306		
C4-TR/LI-OK60C	3212 010-514	5641 001-107	3411 112-306		
C4-TR/LI-OK60C-DT	3212 010-514	5641 001-107	3411 112-306		
C5-TR/LI-OK60B	3212 010-514	5641 001-107	3411 112-306		



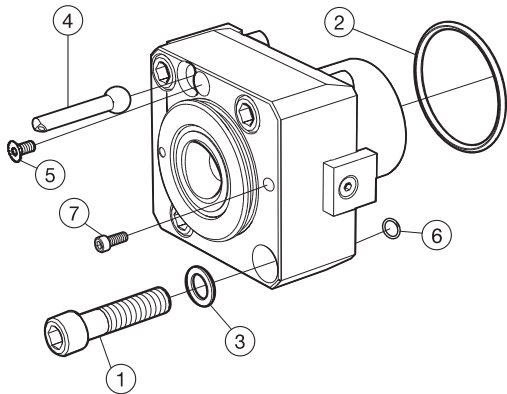
	Spare parts		
	1	2	3
Ordering code	Screw	O-ring	O-ring
C4-TR/LI-OK-A	3212 010-465		
C5-TR/LI-OK-A	3212 010-469		
C5-TR/LI-OK-B	3212 010-520	5641 001-97	
C5-TR/LI-OK-E	3212 010-570		5641 001-129
C6-TR/LI-OK-F	3212 010-572		5641 001-129

**Note!**

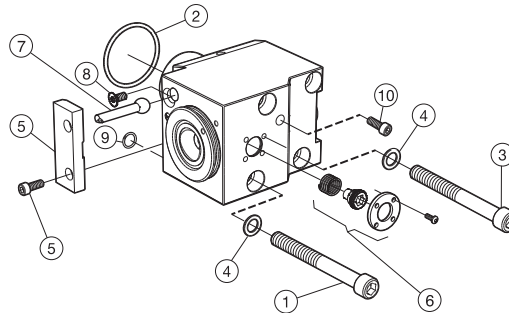
Clamping unit spare parts are the same as the type 2090, see spare part section in Turning tools 2012.



External



Internal



### External

Spare parts					
	1	2	3	4	5
Ordering code	Screw	O-ring	Shim ring	Nozzle	Screw
C3-DNE-OK55A-E	3212 010-467	5641 001-106		5691 036-01	3213 010-358
C3-DNE-OK55A-I	3212 010-467	5641 001-106		5691 036-01	3213 010-358
C4-DNE-OK60A-E	3212 010-516	5641 001-107	3411 112-306	5691 036-02	3213 010-358
C4-DNE-OK60A-I	3212 010-516	5641 001-107	3411 112-306	5691 036-02	3213 010-358
C4-DNE-OK60B-E	3212 010-517	5641 001-107	3411 112-306	5691 036-01	3213 010-358
C4-DNE-OK60B-I	3212 010-517	5641 001-107	3411 112-306	5691 036-01	3213 010-358
C4-DNE-OK60C-E	3212 010-516	5641 001-107	3411 112-306	5691 036-02	3213 010-358
C4-DNE-OK60C-I	3212 010-516	5641 001-107	3411 112-306	5691 036-02	3213 010-358

Spare parts		
	6	7
Ordering code	O-ring	Screw
C3-DNE-OK55A-E	5641 001-93	3214 010-365
C3-DNE-OK55A-I	5641 001-93	3214 010-365
C4-DNE-OK60A-E		
C4-DNE-OK60A-I		
C4-DNE-OK60B-E		
C4-DNE-OK60B-I		
C4-DNE-OK60C-E		
C4-DNE-OK60C-I		

### Internal

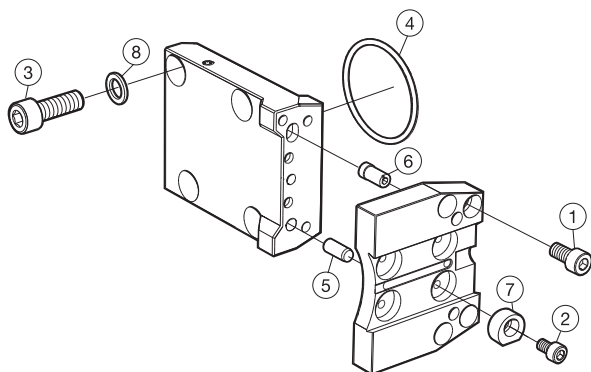
Spare parts					
	1	2	3	4	5
Ordering code	Screw	O-ring	Screw	Shim ring	Adjustment plate
C3-DNI-OK55A-E	3212 010-473	5641 001-106	3212 010-461		
C3-DNI-OK55A-I	3212 010-473	5641 001-106	3212 010-461		
C4-DNI-OK60A-E	3212 010-524	5641 001-107		3411 112-306	5336 004-01
C4-DNI-OK60A-I	3212 010-524	5641 001-107		3411 112-306	5336 004-01
C4-DNI-OK60B-E	3212 010-526	5641 001-107	3212 010-524	3411 112-306	5336 005-01
C4-DNI-OK60B-I	3212 010-526	5641 001-107	3212 010-524	3411 112-306	5336 005-01
C4-DNI-OK60C-E	3212 010-526	5641 001-107		3411 112-306	5336 004-01
C4-DNI-OK60C-I	3212 010-526	5641 001-107		3411 112-306	5336 004-01

Spare parts					
	6	7	8	9	10
Ordering code	Adaptor	Nozzle	Screw	O-ring	Screw
C3-DNI-OK55A-E	5253 011-03	5691 036-01	3213 010-358	5641 005-79	5514 010-13
C3-DNI-OK55A-I	5253 011-03	5691 036-01	3213 010-358	5641 005-79	5514 010-13
C4-DNI-OK60A-E	5253 006-12	5691 036-02	3213 010-358		
C4-DNI-OK60A-I	5253 006-12	5691 036-02	3213 010-358		
C4-DNI-OK60B-E	5253 006-12	5691 036-01	3213 010-358		
C4-DNI-OK60B-I	5253 006-12	5691 036-01	3213 010-358		
C4-DNI-OK60C-E	5253 006-12	5691 036-02	3213 010-358		
C4-DNI-OK60C-I	5253 006-12	5691 036-02	3213 010-358		



# Okuma OK60A

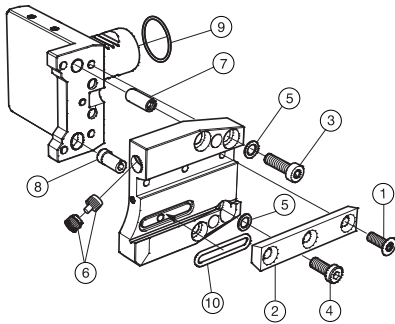
Holder for parting blade



	Spare parts					
	1	2	3	4	5	
Ordering code	Screw	Screw	Screw	O-ring	Parallel pin	
APB-TNE-OK60A-25	3212 010-511	3212 010-409	3212 010-357	5641 001-107	3111 020-611	
	Spare parts					
	6	7	8			
Ordering code	Eccentric pin	Wedge	Shim ring			
APB-TNE-OK60A-25	5333 011-01	5431 123-01	3411 112-306			

# Parting blade adaptors

Straight design



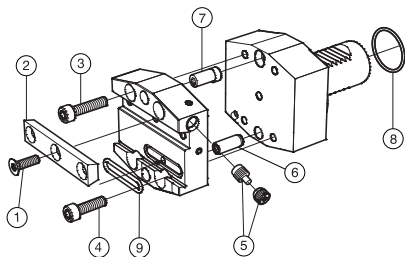
Spare parts							
	1	2	3	4	5	6a	6b
Ordering code	Screw	Wedge	Screw	Screw	Locking washer	Screw	Nozzle
APBR/L-VDI25-21-HP	3213 013-349	5431 115-06	3212 020-360	3212 020-399	5541 041-03	5643 019-01	5691 034-01
APBR/L-VDI30-21-HP	3213 013-349	5431 115-06	3212 020-360	3212 020-399	5541 041-03	5643 019-01	5691 034-01
APBR/L-VDI30-25-HP	3212 013-307	5431 115-05	3212 010-411			5643 019-01	5691 034-01
APBR/L-VDI40-25-HP	3212 013-309	5431 115-06	3212 010-411			5643 019-01	5691 034-01

Spare parts				
	7	8	9	10
Ordering code	Parallel pin	Eccentric pin	O-ring	O-ring
APBR/L-VDI25-21-HP	3111 050-611	5333 011-01	5641 005-103	5641 005-133
APBR/L-VDI30-21-HP	3111 050-611	5333 011-01	5641 005-134	5641 005-133
APBR/L-VDI30-25-HP	3111 050-609	5333 011-01	5641 005-134	5641 005-100
APBR/L-VDI40-25-HP	3111 050-612	5333 011-01	5641 005-135	5641 005-100

# Parting blade adaptors

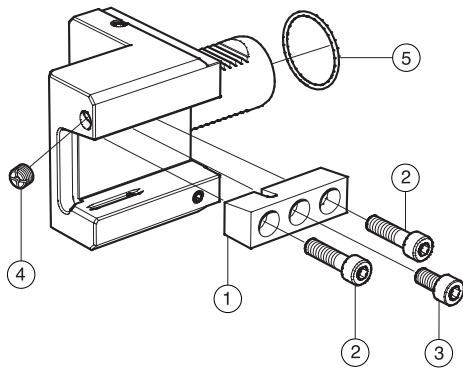
Angled design



Spare parts							
	1	2	3	4	5a	5b	6
Ordering code	Screw	Wedge	Screw	Screw	Screw	Nozzle	Parallel pin
APBA-R/L-VDI30-21-HP	3212 013-309	5431 115-06	3212 010-361	3212 010-360	5643 019-01	5691 034-01	3111 050-611
APBA-R/L-VDI30-25-HP	3212 013-309	5431 115-06	3212 010-411		5643 019-01	5691 034-01	3111 050-611
APBA-R/L-VDI40-25-HP	3212 013-309	5431 115-06	3212 010-411		5643 019-01	5691 034-01	3111 050-611
APBA-R/L-VDI50-25-HP	3212 013-309	5431 115-06	3212 010-411		5643 019-01	5691 034-01	3111 050-611
Spare parts							
	7	8	9				
Ordering code	Eccentric pin	O-ring	O-ring				
APBA-R/L-VDI30-21-HP	5333 011-01	5641 005-134	5641 005-133				
APBA-R/L-VDI30-25-HP	5333 011-01	5641 005-134	5641 005-100				
APBA-R/L-VDI40-25-HP	5333 011-01	5641 005-134	5641 005-100				
APBA-R/L-VDI50-25-HP	5333 011-01	5641 005-134	5641 005-100				

# Shank tool adaptors

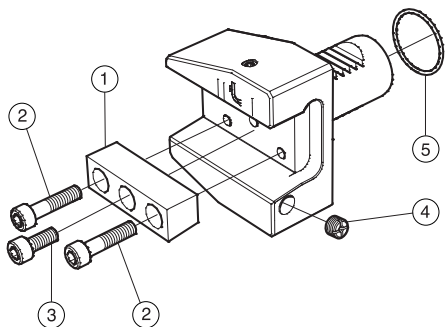
Straight design



Spare parts					
	1	2	3	4	5
Ordering code	Clamp	Screw	Screw	Screw	O-ring
ASHR/L-VDI30-20-HP	5431 115-07	3212 010-361	3212 010-399	5643 019-01	5641 005-134
ASHR/L-VDI40-25-HP	5431 115-08	3212 010-412	3212 010-409	5643 019-01	5641 005-135

# Shank tool adaptors

Angled design



Spare parts					
	1	2	3	4	5
Ordering code	Wedge	Screw	Screw	Screw	O-ring
ASHA-R/L-VDI30-20-HP	5431 115-07	3212 010-399	3212 010-361	5643 019-01	5641 005-134
ASHA-R/L-VDI40-25-HP	5431 115-08	3212 010-411	3212 010-409	5643 019-01	5641 005-135
ASHA-R/L-VDI50-25-HP	5431 115-08	3212 010-411	3212 010-409	5643 019-01	5641 001-119