

Spare parts for complete Boring assemblies 13.1

Included parts

CoroBore® 820	2
DuoBore™ 821	5
DuoBore™ 821 D	7
CoroBore® 820 XL	8
CoroBore® 825	11
CoroBore® 825D	13
CoroBore® 825 XL/CoroBore® 826 XL	14
CoroBore® 825D XL/CoroBore® 826D XL	16
CoroBore® 825 XL/CoroBore® 826 XL	17
CoroBore® 825 SL	19

Spare parts

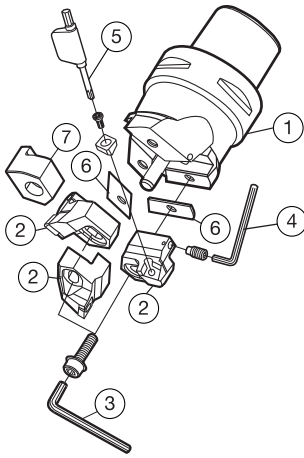
Adapter	20
Bridge	25
Bridge extension	26
Stop plate set	26
Slide	27
Fine boring head	31
Face grooving head	31
Cartridge	32

GENERAL INFORMATION

Keys (mm/Torx Plus) sizes	33
---------------------------	----

CoroBore® 820

Coromant Capto®



Detailed spare part lists
 Adapter See page 20
 Slide See page 27

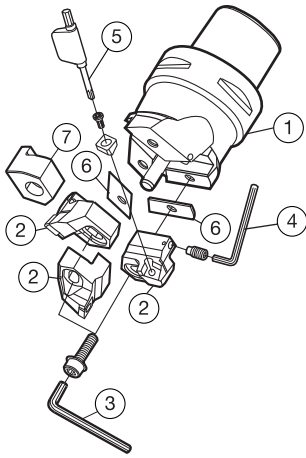
1-5 Included parts
 6-7 Accessories, must be ordered separately.

TSYC: 820..CC-Cx (1), 820..CC-Cx (2)

Ordering code	1 Adapter	2 Slide	3 Key	4 Setting key	5 Key
820-41CC06-C3	C3-R820A-AA3037A	R820A-AR11SCFC06A	3021 010-030	3021 012-015	5680 051-02
820-41CC06-C4	C4-R820A-AA3072A	R820A-AR11SCFC06A	3021 010-030	3021 012-015	5680 051-02
820-45CC06-C3	C3-R820A-AA3037A	R820A-BR11SCFC06A	3021 010-030	3021 012-015	5680 051-02
820-45CC06-C4	C4-R820A-AA3072A	R820A-BR11SCFC06A	3021 010-030	3021 012-015	5680 051-02
820-51CC06-C4	C4-R820B-AA3044A	R820B-AR12SCFC06A	3021 010-040	3021 012-015	5680 051-02
820-51CC06-C5	C5-R820B-AA3086A	R820B-AR12SCFC06A	3021 010-040	3021 012-015	5680 051-02
820-56CC06-C4	C4-R820B-AA3044A	R820B-BR12SCFC06A	3021 010-040	3021 012-015	5680 051-02
820-56CC09-C4	C4-R820B-AA3044A	R820B-BR14SCFC09A	3021 010-040	3021 012-015	5680 049-02
820-56CC06-C5	C5-R820B-AA3086A	R820B-BR12SCFC06A	3021 010-040	3021 012-015	5680 051-02
820-56CC09-C5	C5-R820B-AA3086A	R820B-BR14SCFC09A	3021 010-040	3021 012-015	5680 049-02
820-63CC09-C5	C5-R820C-AA3050A	R820C-AR16SCFC09A	3021 010-050	3021 012-015	5680 049-02
820-63CC09-C6	C6-R820C-AA3104A	R820C-AR16SCFC09A	3021 010-050	3021 012-015	5680 049-02
820-70CC09-C5	C5-R820C-AA3050A	R820C-BR16SCFC09A	3021 010-050	3021 012-015	5680 049-02
820-70CC12-C5	C5-R820C-AA3050A	R820C-BR18SCFC12A	3021 010-050	3021 012-015	5680 049-02
820-70CC09-C6	C6-R820C-AA3104A	R820C-BR16SCFC09A	3021 010-050	3021 012-015	5680 049-02
820-70CC12-C6	C6-R820C-AA3104A	R820C-BR18SCFC12A	3021 010-050	3021 012-015	5680 049-02
820-79CC09-C5	C5-R820D-AA3052A	R820D-AR18SCFC09A	3021 010-050	174.1-870	5680 049-02
820-79CC12-C5	C5-R820D-AA3052A	R820D-AR18SCFC12A	3021 010-050	174.1-870	5680 049-02
820-79CC09-C6	C6-R820D-AA3060A	R820D-AR18SCFC09A	3021 010-050	174.1-870	5680 049-02
820-79CC12-C6	C6-R820D-AA3060A	R820D-AR18SCFC12A	3021 010-050	174.1-870	5680 049-02
820-87CC09-C5	C5-R820D-AA3052A	R820D-BR18SCFC09A	3021 010-050	174.1-870	5680 049-02
820-87CC12-C5	C5-R820D-AA3052A	R820D-BR18SCFC12A	3021 010-050	174.1-870	5680 049-02
820-87CC09-C6	C6-R820D-AA3060A	R820D-BR18SCFC09A	3021 010-050	174.1-870	5680 049-02
820-87CC12-C6	C6-R820D-AA3060A	R820D-BR18SCFC12A	3021 010-050	174.1-870	5680 049-02
820-97CC12-C6	C6-R820E-AA3068A	R820E-AR22SCFC12A	3021 010-060	174.1-870	5680 049-02
820-97CC12-C8	C8-R820E-AA3072A	R820E-AR22SCFC12A	3021 010-060	174.1-870	5680 049-02
820-107CC12-C6	C6-R820E-AA3068A	R820E-BR22SCFC12A	3021 010-060	174.1-870	5680 049-02
820-107CC12-C8	C8-R820E-AA3072A	R820E-BR22SCFC12A	3021 010-060	174.1-870	5680 049-02
820-122CC12-C8	C8-R820F-AA3076A	R820F-AR24SCFC12A	3021 010-080	5680 010-02	5680 049-02
820-137CC12-C8	C8-R820F-AA3076A	R820F-BR24SCFC12A	3021 010-080	5680 010-02	5680 049-02
820-152CC12-C8	C8-R820G-AA3076A	R820G-AR24SCFC12A	3021 010-080	5680 010-02	5680 049-02
820-167CC12-C8	C8-R820G-AA3076A	R820G-BR24SCFC12A	3021 010-080	5680 010-02	5680 049-02

CoroBore® 820

Coromant Capto®



Detailed spare part lists
 Adapter See page 20
 Slide See page 27

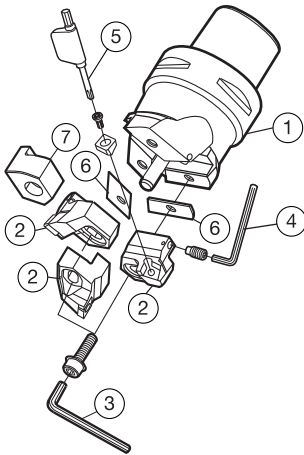
1-5 Included parts
 6-7 Accessories, must be ordered separately.

TSYC: 820..CC-Cx (1), 820..CC-Cx (2)

Ordering code	Accessories	
	6 Shim set	7 Cover
820-41CC06-C3	R820A-AS00A	R820A-AC10A
820-41CC06-C4	R820A-AS00A	R820A-AC10A
820-45CC06-C3	R820A-AS00A	R820A-AC10A
820-45CC06-C4	R820A-AS00A	R820A-AC10A
820-51CC06-C4	R820B-AS00A	R820B-AC11A
820-51CC06-C5	R820B-AS00A	R820B-AC11A
820-56CC06-C4	R820B-AS00A	R820B-AC11A
820-56CC09-C4	R820B-AS00A	R820B-AC11A
820-56CC06-C5	R820B-AS00A	R820B-AC11A
820-56CC09-C5	R820B-AS00A	R820B-AC11A
820-63CC09-C5	R820C-AS00A	R820C-AC15A
820-63CC09-C6	R820C-AS00A	R820C-AC15A
820-70CC09-C5	R820C-AS00A	R820C-AC15A
820-70CC12-C5	R820C-AS00A	R820C-AC15A
820-70CC09-C6	R820C-AS00A	R820C-AC15A
820-70CC12-C6	R820C-AS00A	R820C-AC15A
820-79CC09-C5	R820D-AS00A	R820D-AC17A
820-79CC12-C5	R820D-AS00A	R820D-AC17A
820-79CC09-C6	R820D-AS00A	R820D-AC17A
820-79CC12-C6	R820D-AS00A	R820D-AC17A
820-87CC09-C5	R820D-AS00A	R820D-AC17A
820-87CC12-C5	R820D-AS00A	R820D-AC17A
820-87CC09-C6	R820D-AS00A	R820D-AC17A
820-87CC12-C6	R820D-AS00A	R820D-AC17A
820-97CC12-C6	R820E-AS00A	R820E-AC20A
820-97CC12-C8	R820E-AS00A	R820E-AC20A
820-107CC12-C6	R820E-AS00A	R820E-AC20A
820-107CC12-C8	R820E-AS00A	R820E-AC20A
820-122CC12-C8	R820F-AS00A	R820F-AC22A
820-137CC12-C8	R820F-AS00A	R820F-AC22A
820-152CC12-C8	R820G-AS00A	R820G-AC22A
820-167CC12-C8	R820G-AS00A	R820G-AC22A

CoroBore® 820

Coromant Capto®



Detailed spare part lists
 Adapter See page 20
 Slide See page 28

1-5 Included parts
 7 Accessories, must be ordered separately.

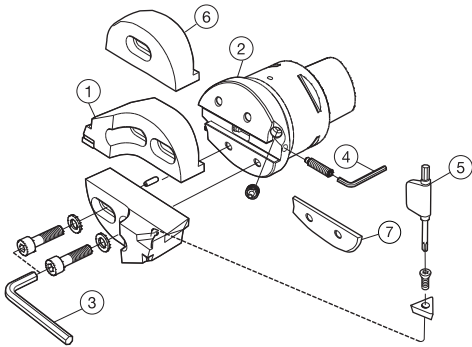
TSYC: 820..SC (1), 820..SC (2)

Ordering code	1 Adapter	2 Slide	3 Key	4 Setting key	5 Key
820-56SC09-C4	C4-R820B-AA3044A	R820B-BR14SSYC09A	3021 010-040	3021 012-015	5680 049-02
820-56SC09-C5	C5-R820B-AA3086A	R820B-BR14SSYC09A	3021 010-040	3021 012-015	5680 049-02
820-63SC09-C5	C5-R820C-AA3050A	R820C-AR16SSYC09A	3021 010-050	3021 012-015	5680 049-02
820-63SC09-C6	C6-R820C-AA3104A	R820C-AR16SSYC09A	3021 010-050	3021 012-015	5680 049-02
820-70SC09-C5	C5-R820C-AA3050A	R820C-BR16SSYC09A	3021 010-050	3021 012-015	5680 049-02
820-70SC12-C5	C5-R820C-AA3050A	R820C-BR18SSYC12A	3021 010-050	3021 012-015	5680 049-02
820-70SC09-C6	C6-R820C-AA3104A	R820C-BR16SSYC09A	3021 010-050	3021 012-015	5680 049-02
820-70SC12-C6	C6-R820C-AA3104A	R820C-BR18SSYC12A	3021 010-050	3021 012-015	5680 049-02
820-79SC09-C5	C5-R820D-AA3052A	R820D-AR18SSYC09A	3021 010-050	174.1-870	5680 049-02
820-79SC12-C5	C5-R820D-AA3052A	R820D-AR18SSYC12A	3021 010-050	174.1-870	5680 049-02
820-79SC09-C6	C6-R820D-AA3060A	R820D-AR18SSYC09A	3021 010-050	174.1-870	5680 049-02
820-79SC12-C6	C6-R820D-AA3060A	R820D-AR18SSYC12A	3021 010-050	174.1-870	5680 049-02
820-87SC09-C5	C5-R820D-AA3052A	R820D-AR18SSYC09A	3021 010-050	174.1-870	5680 049-02
820-87SC12-C5	C5-R820D-AA3052A	R820D-AR18SSYC12A	3021 010-050	174.1-870	5680 049-02
820-87SC09-C6	C6-R820D-AA3060A	R820D-AR18SSYC09A	3021 010-050	174.1-870	5680 049-02
820-87SC12-C6	C6-R820D-AA3060A	R820D-AR18SSYC12A	3021 010-050	174.1-870	5680 049-02
820-97SC12-C6	C6-R820E-AA3068A	R820E-AR22SSYC12A	3021 010-060	174.1-870	5680 049-02
820-97SC12-C8	C8-R820E-AA3072A	R820E-AR22SSYC12A	3021 010-060	174.1-870	5680 049-02
820-107SC12-C6	C6-R820E-AA3068A	R820E-BR22SSYC12A	3021 010-060	174.1-870	5680 049-02
820-107SC12-C8	C8-R820E-AA3072A	R820E-BR22SSYC12A	3021 010-060	174.1-870	5680 049-02
820-122SC12-C8	C8-R820F-AA3076A	R820F-AR24SSYC12A	3021 010-080	5680 010-02	5680 049-02
820-137SC12-C8	C8-R820F-AA3076A	R820F-BR24SSYC12A	3021 010-080	5680 010-02	5680 049-02
820-152SC12-C8	C8-R820G-AA3076A	R820G-AR24SSYC12A	3021 010-080	5680 010-02	5680 049-02
820-167SC12-C8	C8-R820G-AA3076A	R820G-BR24SSYC12A	3021 010-080	5680 010-02	5680 049-02

Ordering code	7 Cover
820-56SC09-C4	R820B-AC11A
820-56SC09-C5	R820B-AC11A
820-63SC09-C5	R820C-AC15A
820-63SC09-C6	R820C-AC15A
820-70SC09-C5	R820C-AC15A
820-70SC12-C5	R820C-AC15A
820-70SC09-C6	R820C-AC15A
820-70SC12-C6	R820C-AC15A
820-79SC09-C5	R820D-AC17A
820-79SC12-C5	R820D-AC17A
820-79SC09-C6	R820D-AC17A
820-79SC12-C6	R820D-AC17A
820-87SC09-C5	R820D-AC17A
820-87SC12-C5	R820D-AC17A
820-87SC09-C6	R820D-AC17A
820-87SC12-C6	R820D-AC17A
820-97SC12-C6	R820E-AC20A
820-97SC12-C8	R820E-AC20A
820-107SC12-C6	R820E-AC20A
820-107SC12-C8	R820E-AC20A
820-122SC12-C8	R820F-AC22A
820-137SC12-C8	R820F-AC22A
820-152SC12-C8	R820G-AC22A
820-167SC12-C8	R820G-AC22A

DuoBore™ 821

Coromant Capto®



Detailed spare part lists
 Adapter See page 20
 Slide See page 29

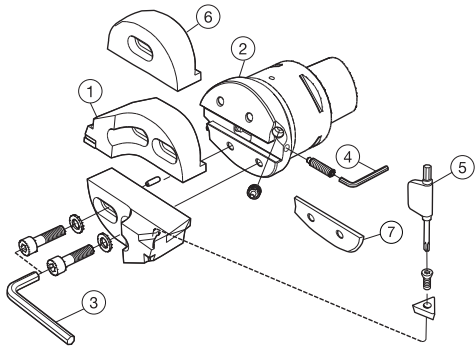
1-5 Included parts
 6-7 Accessories, must be ordered separately.

TSYC: 821..CC-Cx, 821..TC-Cx

	1	2	3	4	5
Ordering code	Slide	Adapter	Key	Key	Key
821-32CC06-C3	391.68A-1-03213C06B	C3-391.68A-1-021068B	3021 010-030	174.1-870	5680 051-02
821-38CC06-C3	391.68A-2-03813C06B	C3-391.68A-2-026084B	3021 010-030	174.1-870	5680 051-02
821-47TC11-C3	391.68F-3-04716TC11B	C3-391.68A-3-032034B	3021 010-030	174.1-870	5680 051-02
821-56TC16-C4	391.68A-4-05624T16B	C4-391.68A-4-040041B	3021 010-040	174.1-870	5680 049-02
821-70TC16-C5	391.68A-5-07026T16B	C5-391.68A-5-050044B	3021 010-050	174.1-870	5680 049-02
821-84TC16-C5	391.68A-6-08430T16B	C5-391.68A-6-063045C	3021 010-050	3021 010-025	5680 049-02
821-84TC16-C6	391.68A-6-08430T16B	C6-391.68A-6-063045C	3021 010-050	3021 010-025	5680 049-02
821-101TC16-C5	391.68A-6-10130T16B	C5-391.68A-6-063045C	3021 010-050	3021 010-025	5680 049-02
821-101TC22-C5	391.68A-6-10141T22B	C5-391.68A-6-063045C	3021 010-050	3021 010-025	5680 043-14
821-101TC16-C6	391.68A-6-10130T16B	C6-391.68A-6-063045C	3021 010-050	3021 010-025	5680 043-14
821-101TC22-C6	391.68A-6-10141T22B	C6-391.68A-6-063045C	3021 010-050	3021 010-025	5680 043-14
821-125TC16-C6	391.68A-7-12540T16B	C6-391.68A-7-096 060	3021 010-060	3021 010-030	5680 049-02
821-125TC22-C6	391.68A-7-12540T22B	C6-391.68A-7-096 060	3021 010-060	3021 010-030	5680 043-14
821-125TC16-C8	391.68A-7-12540T16B	C8-391.68A-7-080060D	3021 010-060	3021 010-030	5680 049-02
821-125TC22-C8	391.68A-7-12540T22B	C8-391.68A-7-080060D	3021 010-060	3021 010-030	5680 043-14
821-150TC16-C6	391.68A-7-15040T16B	C6-391.68A-7-096 060	3021 010-060	3021 010-030	5680 049-02
821-150TC22-C6	391.68A-7-15040T22B	C6-391.68A-7-096 060	3021 010-060	3021 010-030	5680 043-14
821-150TC16-C8	391.68A-7-15040T16B	C8-391.68A-7-080060D	3021 010-060	3021 010-030	5680 049-02
821-150TC22-C8	391.68A-7-15040T22B	C8-391.68A-7-080060D	3021 010-060	3021 010-030	5680 043-14
	Accessories	Accessories			
Ordering code	6 Cover	7 Shim			
821-32CC06-C3	5623 010-01	5549 125-01			
821-38CC06-C3	5623 010-02	5549 125-02			
821-47TC11-C3	5623 010-03A	5549 125-03			
821-56TC16-C4	5623 010-04	5549 125-04			
821-70TC16-C5	5623 010-05A	5549 125-05			
821-84TC16-C5	5623 010-06B	5549 125-06A			
821-84TC16-C6	5623 010-06B	5549 125-06A			
821-101TC16-C5	5623 010-06B	5549 125-06A			
821-101TC22-C5	5623 010-06B	5549 125-06A			
821-101TC16-C6	5623 010-06B	5549 125-06A			
821-101TC22-C6	5623 010-06B	5549 125-06A			
821-125TC16-C6	5623 010-07A	5549 125-08			
821-125TC22-C6	5623 010-07A	5549 125-08			
821-125TC16-C8	5623 010-07A	5549 125-08			
821-125TC22-C8	5623 010-07A	5549 125-08			
821-150TC16-C6	5623 010-07A	5549 125-08			
821-150TC22-C6	5623 010-07A	5549 125-08			
821-150TC16-C8	5623 010-07A	5549 125-08			
821-150TC22-C8	5623 010-07A	5549 125-08			

DuoBore™ 821

Coromant Capto®



Detailed spare part lists
 Adapter See page 20
 Slide See page 29

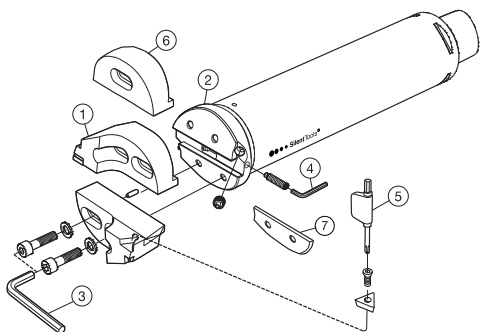
1-5 Included parts
 6 Accessories, must be ordered separately.

TSYC: 821..SC-Cx

	1	2	3	4	5
Ordering code	Slide	Adapter	Key	Key	Key
821-56SC09-C4	391.68B-4-05624S09B	C4-391.68A-4-040041B	3021 010-040	174.1-870	5680 049-02
821-70SC09-C5	391.68B-5-07026S09B	C5-391.68A-5-050044B	3021 010-050	174.1-870	5680 049-02
821-84SC12-C5	391.68B-6-08430S12B	C5-391.68A-6-063045C	3021 010-050	3021 010-025	5680 049-02
821-84SC12-C6	391.68B-6-08430S12B	C6-391.68A-6-063045C	3021 010-050	3021 010-025	5680 049-02
821-101SC12-C5	391.68B-6-10141S12B	C5-391.68A-6-063045C	3021 010-050	3021 010-025	5680 049-02
821-101SC12-C6	391.68B-6-10141S12B	C6-391.68A-6-063045C	3021 010-050	3021 010-025	5680 049-02
821-125SC12-C6	391.68B-7-12540S12B	C6-391.68A-7-096 060	3021 010-060	3021 010-030	5680 049-02
821-125SC12-C8	391.68B-7-12540S12B	C8-391.68A-7-080060D	3021 010-060	3021 010-030	5680 049-02
821-150SC12-C6	391.68B-7-15040S12B	C6-391.68A-7-096 060	3021 010-060	3021 010-030	5680 049-02
821-150SC12-C8	391.68B-7-15040S12B	C8-391.68A-7-080060D	3021 010-060	3021 010-030	5680 049-02
	Accessories				
Ordering code	6				
	Cover				
821-56SC09-C4	5623 010-04				
821-70SC09-C5	5623 010-05A				
821-84SC12-C5	5623 010-06B				
821-84SC12-C6	5623 010-06B				
821-101SC12-C5	5623 010-06B				
821-101SC12-C6	5623 010-06B				
821-125SC12-C6	5623 010-07A				
821-125SC12-C8	5623 010-07A				
821-150SC12-C6	5623 010-07A				
821-150SC12-C8	5623 010-07A				

DuoBore™ 821 D

Coromant Capto® Dampened



Detailed spare part lists
 Adapter See page 21
 Slide See page 29

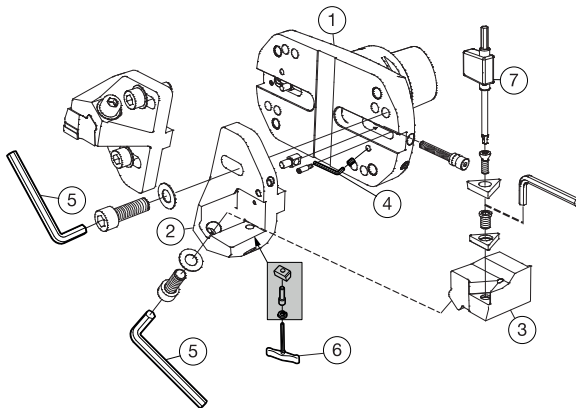
1-5 Included parts
 6-7 Accessories, must be ordered separately.

TSYC: 821D..CC-Cx, 821D..TC-Cx (1), 821D..TC-Cx (2)

	1	2	3	4	5
Ordering code	Slide	Adapter	Key	Key	Key
821D-32CC06-C3	391.68A-1-03213C06B	C3-391.69A-1-022200A	3021 010-030	174.1-870	5680 051-02
821D-38CC06-C3	391.68A-2-03813C06B	C3-391.69A-2-026211A	3021 010-030	174.1-870	5680 051-02
821D-47TC11-C4	391.68F-3-04716TC11B	C4-391.69A-3-032262A	3021 010-030	174.1-870	5680 051-02
821D-56TC16-C5	391.68A-4-05624T16B	C5-391.69A-4-040308A	3021 010-040	174.1-870	5680 049-02
821D-70TC16-C5	391.68A-5-07026T16B	C5-391.69A-5-050280A	3021 010-050	174.1-870	5680 049-02
821D-84TC16-C6	391.68A-6-08430T16B	C6-391.69A-6-063367A	3021 010-050	3021 010-025	5680 049-02
821D-101TC16-C6	391.68A-6-10130T16B	C6-391.69A-6-063367A	3021 010-050	3021 010-025	5680 049-02
821D-101TC22-C6	391.68A-6-10141T22B	C6-391.69A-6-063367A	3021 010-050	3021 010-025	5680 043-14
821D-125TC16-C6	391.68A-7-12540T16B	C6-391.69A-7-063 360	3021 010-060	3021 010-030	5680 049-02
821D-125TC22-C6	391.68A-7-12540T22B	C6-391.69A-7-063 360	3021 010-060	3021 010-030	5680 043-14
821D-125TC16-C8	391.68A-7-12540T16B	C8-391.69A-7-080 380 A	3021 010-060	3021 010-030	5680 049-02
821D-125TC22-C8	391.68A-7-12540T22B	C8-391.69A-7-080 380 A	3021 010-060	3021 010-030	5680 043-14
821D-150TC16-C6	391.68A-7-15040T16B	C6-391.69A-7-063 360	3021 010-060	3021 010-030	5680 049-02
821D-150TC22-C6	391.68A-7-15040T22B	C6-391.69A-7-063 360	3021 010-060	3021 010-030	5680 043-14
821D-150TC16-C8	391.68A-7-15040T16B	C8-391.69A-7-080 380 A	3021 010-060	3021 010-030	5680 049-02
821D-150TC22-C8	391.68A-7-15040T22B	C8-391.69A-7-080 380 A	3021 010-060	3021 010-030	5680 043-14
	Accessories	Accessories			
	6	7			
Ordering code	Cover	Shim			
821D-32CC06-C3	5623 010-01	5549 125-01			
821D-38CC06-C3	5623 010-02	5549 125-02			
821D-47TC11-C4	5623 010-03A	5549 125-03			
821D-56TC16-C5	5623 010-04	5549 125-04			
821D-70TC16-C5	5623 010-05A	5549 125-05			
821D-84TC16-C6	5623 010-06B	5549 125-06A			
821D-101TC16-C6	5623 010-06B	5549 125-06A			
821D-101TC22-C6	5623 010-06B	5549 125-06A			
821D-125TC16-C6	5623 010-07A	5549 125-08			
821D-125TC22-C6	5623 010-07A	5549 125-08			
821D-125TC16-C8	5623 010-07A	5549 125-08			
821D-125TC22-C8	5623 010-07A	5549 125-08			
821D-150TC16-C6	5623 010-07A	5549 125-08			
821D-150TC22-C6	5623 010-07A	5549 125-08			
821D-150TC16-C8	5623 010-07A	5549 125-08			
821D-150TC22-C8	5623 010-07A	5549 125-08			

CoroBore® 820 XL

Assembly with Coromant Capto®



Detailed spare part lists
 Adapter See page 23
 Slide See page 30
 Cartridge See page 32

1-7 Included parts

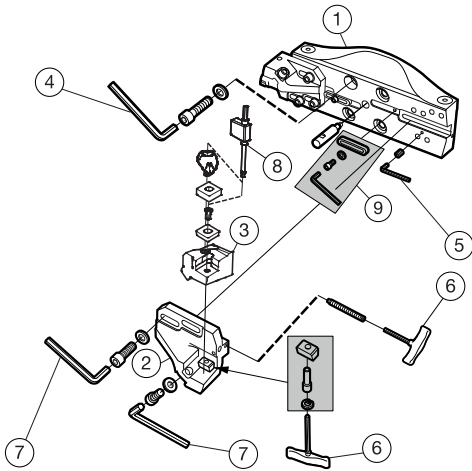
TSYC: 820..CN-Cx (XL), 820..SN-Cx (XL), 820..SP-Cx, 820..TC-Cx (XL)

Ordering code	1 Adapter	2 Slide	3 Cartridge	4 Key	5 Key
820-200CN19-C8	C8-R822XLS17-AJ 070	S17-R820XLS12-012	S12-R820XLR40DCFN19	3021 010-030	3021 010-080
820-200SN15-C8	C8-R822XLS17-AJ 070	S17-R820XLS12-012	S12-R820XLR40DSYN15	3021 010-030	3021 010-080
820-200SP18-C8	C8-R822XLS17-AJ 070	S17-R820XLS12-012	S12-R820XLR40SSFP18	3021 010-030	3021 010-080
820-200TC22-C8	C8-R822XLS17-AJ 070	S17-R820XLS12-012	S12-R820XLR40STFC22	3021 010-030	3021 010-080
820-200CN19-C10	C10-R822XLS17-AJ 076	S17-R820XLS12-012	S12-R820XLR40DCFN19	3021 010-030	3021 010-080
820-200SN15-C10	C10-R822XLS17-AJ 076	S17-R820XLS12-012	S12-R820XLR40DSYN15	3021 010-030	3021 010-080
820-200SP18-C10	C10-R822XLS17-AJ 076	S17-R820XLS12-012	S12-R820XLR40SSFP18	3021 010-030	3021 010-080
820-200TC22-C10	C10-R822XLS17-AJ 076	S17-R820XLS12-012	S12-R820XLR40STFC22	3021 010-030	3021 010-080
820-250CN19-C8	C8-R822XLS17-AK 070	S17-R820XLS12-012	S12-R820XLR40DCFN19	3021 010-030	3021 010-080
820-250SN15-C8	C8-R822XLS17-AK 070	S17-R820XLS12-012	S12-R820XLR40DSYN15	3021 010-030	3021 010-080
820-250SP18-C8	C8-R822XLS17-AK 070	S17-R820XLS12-012	S12-R820XLR40SSFP18	3021 010-030	3021 010-080
820-250TC22-C8	C8-R822XLS17-AK 070	S17-R820XLS12-012	S12-R820XLR40STFC22	3021 010-030	3021 010-080
820-250CN19-C10	C10-R822XLS17-AK 076	S17-R820XLS12-012	S12-R820XLR40DCFN19	3021 010-030	3021 010-080
820-250SN15-C10	C10-R822XLS17-AK 076	S17-R820XLS12-012	S12-R820XLR40DSYN15	3021 010-030	3021 010-080
820-250SP18-C10	C10-R822XLS17-AK 076	S17-R820XLS12-012	S12-R820XLR40SSFP18	3021 010-030	3021 010-080
820-250TC22-C10	C10-R822XLS17-AK 076	S17-R820XLS12-012	S12-R820XLR40STFC22	3021 010-030	3021 010-080
820-300CN19-C8	C8-R822XLS17-AL 070	S17-R820XLS12-012	S12-R820XLR40DCFN19	3021 010-030	3021 010-080
820-300SN15-C8	C8-R822XLS17-AL 070	S17-R820XLS12-012	S12-R820XLR40DSYN15	3021 010-030	3021 010-080
820-300SP18-C8	C8-R822XLS17-AL 070	S17-R820XLS12-012	S12-R820XLR40SSFP18	3021 010-030	3021 010-080
820-300TC22-C8	C8-R822XLS17-AL 070	S17-R820XLS12-012	S12-R820XLR40STFC22	3021 010-030	3021 010-080
820-300CN19-C10	C10-R822XLS17-AL 076	S17-R820XLS12-012	S12-R820XLR40DCFN19	3021 010-030	3021 010-080
820-300SN15-C10	C10-R822XLS17-AL 076	S17-R820XLS12-012	S12-R820XLR40DSYN15	3021 010-030	3021 010-080
820-300SP18-C10	C10-R822XLS17-AL 076	S17-R820XLS12-012	S12-R820XLR40SSFP18	3021 010-030	3021 010-080
820-300TC22-C10	C10-R822XLS17-AL 076	S17-R820XLS12-012	S12-R820XLR40STFC22	3021 010-030	3021 010-080

Ordering code	6 Key	7 Key
820-200CN19-C8	265.2-817	5680 043-14
820-200SN15-C8	265.2-817	5680 043-14
820-200SP18-C8	265.2-817	5680 049-02
820-200TC22-C8	265.2-817	5680 049-02
820-200CN19-C10	265.2-817	5680 043-14
820-200SN15-C10	265.2-817	5680 043-14
820-200SP18-C10	265.2-817	5680 049-02
820-200TC22-C10	265.2-817	5680 049-02
820-250CN19-C8	265.2-817	5680 043-14
820-250SN15-C8	265.2-817	5680 043-14
820-250SP18-C8	265.2-817	5680 049-02
820-250TC22-C8	265.2-817	5680 049-02
820-250CN19-C10	265.2-817	5680 043-14
820-250SN15-C10	265.2-817	5680 043-14
820-250SP18-C10	265.2-817	5680 049-02
820-250TC22-C10	265.2-817	5680 049-02
820-300CN19-C8	265.2-817	5680 043-14
820-300SN15-C8	265.2-817	5680 043-14
820-300SP18-C8	265.2-817	5680 049-02
820-300TC22-C8	265.2-817	5680 049-02
820-300CN19-C10	265.2-817	5680 043-14
820-300SN15-C10	265.2-817	5680 043-14
820-300SP18-C10	265.2-817	5680 049-02
820-300TC22-C10	265.2-817	5680 049-02

CoroBore® 820 XL

Assembly with bridge



Detailed spare part lists
 Bridge See page 25
 Slide See page 30
 Cartridge See page 32
 Stop plate set See page 26

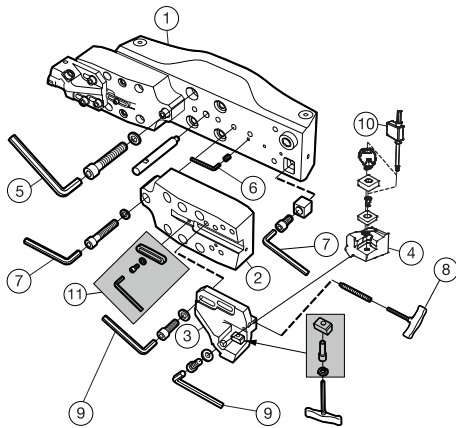
1-8 Included parts
 9 Accessories, must be ordered separately.

TSYC: 820..CN (XL), 820..SN (XL), 820..SP (XL), 820..TC(XL)

	1	2	3	4	5
Ordering code	Bridge	Slide	Cartridge	Key	Key
820-380CN19	A40-RXLS24-AM2 062	S24-R820XLS12-012	S12-R820XLR40DCFN19	3021 010-140	3021 010-030
820-380SN15	A40-RXLS24-AM2 062	S24-R820XLS12-012	S12-R820XLR40DSYN15	3021 010-140	3021 010-030
820-380SP18	A40-RXLS24-AM2 062	S24-R820XLS12-012	S12-R820XLR40SSFP18	3021 010-140	3021 010-030
820-380TC22	A40-RXLS24-AM2 062	S24-R820XLS12-012	S12-R820XLR40STFC22	3021 010-140	3021 010-030
820-460CN19	A40-RXLS24-AN2 067	S24-R820XLS12-012	S12-R820XLR40DCFN19	3021 010-140	3021 010-030
820-460SN15	A40-RXLS24-AN2 067	S24-R820XLS12-012	S12-R820XLR40DSYN15	3021 010-140	3021 010-030
820-460SP18	A40-RXLS24-AN2 067	S24-R820XLS12-012	S12-R820XLR40SSFP18	3021 010-140	3021 010-030
820-460TC22	A40-RXLS24-AN2 067	S24-R820XLS12-012	S12-R820XLR40STFC22	3021 010-140	3021 010-030
820-540CN19	A40-RXLS24-AO2 072	S24-R820XLS12-012	S12-R820XLR40DCFN19	3021 010-140	3021 010-030
820-540SN15	A40-RXLS24-AO2 072	S24-R820XLS12-012	S12-R820XLR40DSYN15	3021 010-140	3021 010-030
820-540SP18	A40-RXLS24-AO2 072	S24-R820XLS12-012	S12-R820XLR40SSFP18	3021 010-140	3021 010-030
820-540TC22	A40-RXLS24-AO2 072	S24-R820XLS12-012	S12-R820XLR40STFC22	3021 010-140	3021 010-030
				Accessories	
Ordering code	6	7	8	9	
	Key	Key	Key	Stop plate set	
820-380CN19	265.2-817	3021 010-080	5680 043-14	5335 001-01	
820-380SN15	265.2-817	3021 010-080	5680 043-14	5335 001-01	
820-380SP18	265.2-817	3021 010-080	5680 049-02	5335 001-01	
820-380TC22	265.2-817	3021 010-080	5680 049-02	5335 001-01	
820-460CN19	265.2-817	3021 010-080	5680 043-14	5335 001-01	
820-460SN15	265.2-817	3021 010-080	5680 043-14	5335 001-01	
820-460SP18	265.2-817	3021 010-080	5680 049-02	5335 001-01	
820-460TC22	265.2-817	3021 010-080	5680 049-02	5335 001-01	
820-540CN19	265.2-817	3021 010-080	5680 043-14	5335 001-01	
820-540SN15	265.2-817	3021 010-080	5680 043-14	5335 001-01	
820-540SP18	265.2-817	3021 010-080	5680 049-02	5335 001-01	
820-540TC22	265.2-817	3021 010-080	5680 049-02	5335 001-01	

CoroBore® 820 XL

Assembly with bridge and bridge extension



Detailed spare part lists

Bridge	See page 25
Bridge extension	See page 26
Slide	See page 30
Cartridge	See page 32
Stop plate set	See page 26

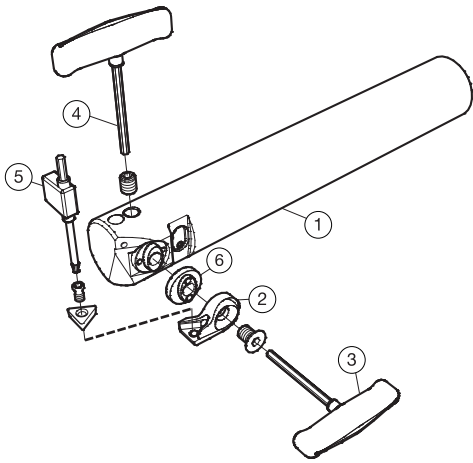
1-10 Included parts
 11 Accessories, must be ordered separately.

TSYC: 820..CN (XL-EXT), 820..SN (XL-EXT), 820..SP (XL-EXT), 820..TC (XL-EXT)

	1	2	3	4	5
Ordering code	Bridge	Bridge extension	Slide	Cartridge	Key
820-780CN19	A40-NXLA35-AP2 086	A35-RXLS24-A 060	S24-R820XLS12-012	S12-R820XLR40DCFN19	3021 010-140
820-780SN15	A40-NXLA35-AP2 086	A35-RXLS24-A 060	S24-R820XLS12-012	S12-R820XLR40DSYN15	3021 010-140
820-780SP18	A40-NXLA35-AP2 086	A35-RXLS24-A 060	S24-R820XLS12-012	S12-R820XLR40SSFP18	3021 010-140
820-780TC22	A40-NXLA35-AP2 086	A35-RXLS24-A 060	S24-R820XLS12-012	S12-R820XLR40STFC22	3021 010-140
820-1020CN19	A40-NXLA35-AQ2 106	A35-RXLS24-A 060	S24-R820XLS12-012	S12-R820XLR40DCFN19	3021 010-140
820-1020SN15	A40-NXLA35-AQ2 106	A35-RXLS24-A 060	S24-R820XLS12-012	S12-R820XLR40DSYN15	3021 010-140
820-1020SP18	A40-NXLA35-AQ2 106	A35-RXLS24-A 060	S24-R820XLS12-012	S12-R820XLR40SSFP18	3021 010-140
820-1020TC22	A40-NXLA35-AQ2 106	A35-RXLS24-A 060	S24-R820XLS12-012	S12-R820XLR40STFC22	3021 010-140
820-1260CN19	A40-NXLA35-AR2 106	A35-RXLS24-A 060	S24-R820XLS12-012	S12-R820XLR40DCFN19	3021 010-140
820-1260SN15	A40-NXLA35-AR2 106	A35-RXLS24-A 060	S24-R820XLS12-012	S12-R820XLR40DSYN15	3021 010-140
820-1260SP18	A40-NXLA35-AR2 106	A35-RXLS24-A 060	S24-R820XLS12-012	S12-R820XLR40SSFP18	3021 010-140
820-1260TC22	A40-NXLA35-AR2 106	A35-RXLS24-A 060	S24-R820XLS12-012	S12-R820XLR40STFC22	3021 010-140
Ordering code	6	7	8	9	10
	Key	Key	Key	Key	Key
820-780CN19	3021 010-040	3021 010-100	265.2-817	3021 010-080	5680 043-14
820-780SN15	3021 010-040	3021 010-100	265.2-817	3021 010-080	5680 043-14
820-780SP18	3021 010-040	3021 010-100	265.2-817	3021 010-080	5680 049-02
820-780TC22	3021 010-040	3021 010-100	265.2-817	3021 010-080	5680 049-02
820-1020CN19	3021 010-040	3021 010-100	265.2-817	3021 010-080	5680 043-14
820-1020SN15	3021 010-040	3021 010-100	265.2-817	3021 010-080	5680 043-14
820-1020SP18	3021 010-040	3021 010-100	265.2-817	3021 010-080	5680 049-02
820-1020TC22	3021 010-040	3021 010-100	265.2-817	3021 010-080	5680 049-02
820-1260CN19	3021 010-040	3021 010-100	265.2-817	3021 010-080	5680 043-14
820-1260SN15	3021 010-040	3021 010-100	265.2-817	3021 010-080	5680 043-14
820-1260SP18	3021 010-040	3021 010-100	265.2-817	3021 010-080	5680 049-02
820-1260TC22	3021 010-040	3021 010-100	265.2-817	3021 010-080	5680 049-02
	Accessories				
	11				
Ordering code	Stop plate set				
820-780CN19	5335 001-01				
820-780SN15	5335 001-01				
820-780SP18	5335 001-01				
820-780TC22	5335 001-01				
820-1020CN19	5335 001-01				
820-1020SN15	5335 001-01				
820-1020SP18	5335 001-01				
820-1020TC22	5335 001-01				
820-1260CN19	5335 001-01				
820-1260SN15	5335 001-01				
820-1260SP18	5335 001-01				
820-1260TC22	5335 001-01				

CoroBore® 825

Cylindrical shank



Detailed spare part lists
 Adapter See page 21
 Cartridge See page 32

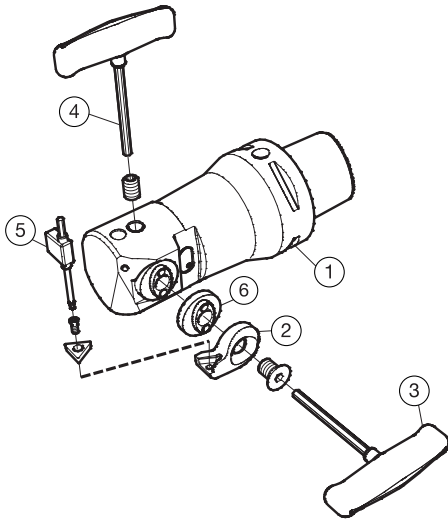
1-5 Included parts
 6 Accessories, must be ordered separately.

TSYC: 825..TC-Axx

	1	2	3	4	5	
Ordering code	Adapter	Cartridge	Key	Key	Key	
825-23TC06-A18	A18-R825A-A18116-RA	R825A-AF11STUC06T1A	5680 012-02		5680 051-01	
825-29TC06-A20	A20-R825A-AA120-RA	R825A-AF11STUC06T1A	5680 012-02		5680 051-01	
825-36TC06-A25	A25-R825A-AB146-RA	R825A-AF11STUC06T1A	5680 012-02	265.2-815	5680 051-01	
	Accessories					
	6					
Ordering code	Slide extension					
825-23TC06-A18	825A-030A					
825-29TC06-A20	825A-030A					
825-36TC06-A25	825A-030A					

CoroBore® 825

Coromant Capto®



Detailed spare part lists

Adapter See page 22
Cartridge See page 32

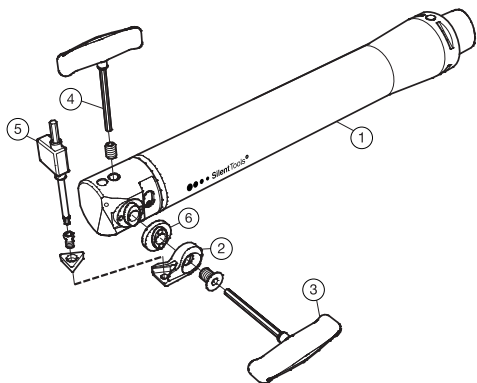
1-5 Included parts
6 Accessories, must be ordered separately.

TSYC: 825..TC-Cx (1), 825..TC-Cx (2)

	1	2	3	4	5
Ordering code	Adapter	Cartridge	Key	Key	Key
825-23TC06-C3	C3-R825A-AA18078A	R825A-AF11STUC06T1A	5680 012-02		5680 051-01
825-29TC06-C3	C3-R825A-AAA065A	R825A-AF11STUC06T1A	5680 012-02		5680 051-01
825-29TC06-C4	C4-R825A-AAA074A	R825A-AF11STUC06T1A	5680 012-02		5680 051-01
825-36TC06-C3	C3-R825A-AAB072A	R825A-AF11STUC06T1A	5680 012-02	265.2-815	5680 051-01
825-36TC06-C4	C4-R825A-AAB084A	R825A-AF11STUC06T1A	5680 012-02	265.2-815	5680 051-01
825-45TC09-C3	C3-R825B-AAC031A	R825B-AF17STUC0902A	265.2-817		5680 051-02
825-45TC09-C4	C4-R825B-AAC066A	R825B-AF17STUC0902A	265.2-817		5680 051-02
825-56TC09-C4	C4-R825B-AAD039A	R825B-AF17STUC0902A	265.2-817		5680 051-02
825-56TC09-C5	C5-R825B-AAD081A	R825B-AF17STUC0902A	265.2-817		5680 051-02
825-70TC11-C5	C5-R825C-AAE043A	R825C-AF23STUC1103A	265.2-821		5680 051-02
825-70TC11-C6	C6-R825C-AAE097A	R825C-AF23STUC1103A	265.2-821		5680 051-02
825-87TC11-C5	C5-R825C-AAF047A	R825C-AF23STUC1103A	265.2-821		5680 051-02
825-87TC11-C6	C6-R825C-AAF055A	R825C-AF23STUC1103A	265.2-821		5680 051-02
825-107TC11-C5	C5-R825C-AAG053A	R825C-AF23STUC1103A	265.2-821		5680 051-02
825-107TC11-C6	C6-R825C-AAG067A	R825C-AF23STUC1103A	265.2-821		5680 051-02
825-137TC11-C6	C6-R825C-AAH067A	R825C-AF23STUC1103A	265.2-821		5680 051-02
825-137TC11-C8	C8-R825C-AAH077A	R825C-AF23STUC1103A	265.2-821		5680 051-02
825-167TC11-C6	C6-R825C-AAI067A	R825C-AF23STUC1103A	265.2-821		5680 051-02
825-167TC11-C8	C8-R825C-AAI077A	R825C-AF23STUC1103A	265.2-821		5680 051-02
	Accessories				
	6				
Ordering code	Slide extension				
825-23TC06-C3	825A-030A				
825-29TC06-C3	825A-030A				
825-29TC06-C4	825A-030A				
825-36TC06-C3	825A-030A				
825-36TC06-C4	825A-030A				
825-45TC09-C3	825B-036A				
825-45TC09-C4	825B-036A				
825-56TC09-C4	825B-036A				
825-56TC09-C5	825B-036A				
825-70TC11-C5	825C-048A				
825-70TC11-C6	825C-048A				
825-87TC11-C5	825C-048A				
825-87TC11-C6	825C-048A				
825-107TC11-C5	825C-048A				
825-107TC11-C6	825C-048A				
825-137TC11-C6	825C-048A				
825-137TC11-C8	825C-048A				
825-167TC11-C6	825C-048A				
825-167TC11-C8	825C-048A				

CoroBore® 825D

Coromant Capto® Dampened



Detailed spare part lists
 Adapter See page 22
 Cartridge See page 32

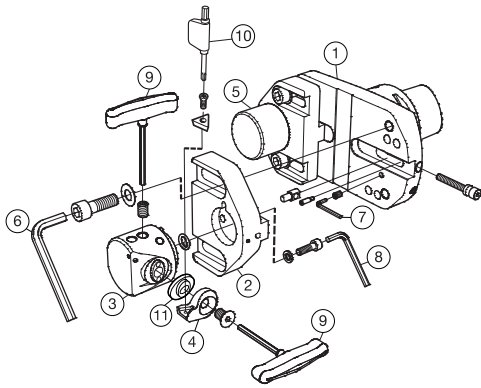
1-5 Included parts
 6 Accessories, must be ordered separately.

TSYC: 825D..TC-Cx (1), 825D..TC-Cx (2)

	1	2	3	4	5
Ordering code	Adapter	Cartridge	Key	Key	Key
825D-29TC06-C3	C3-R825A-FAA181A	R825A-AF11STUC06T1A	5680 012-02		5680 051-01
825D-36TC06-C3	C3-R825A-FAB208A	R825A-AF11STUC06T1A	5680 012-02	265.2-815	5680 051-01
825D-45TC09-C4	C4-R825B-FAC255A	R825B-AF17STUC0902A	265.2-817		5680 051-02
825D-56TC09-C5	C5-R825B-FAD315A	R825B-AF17STUC0902A	265.2-817		5680 051-02
825D-70TC11-C5	C5-R825C-FAE237A	R825C-AF23STUC1103A	265.2-821		5680 051-02
825D-70TC11-C6	C6-R825C-FAE389A	R825C-AF23STUC1103A	265.2-821		5680 051-02
825D-87TC11-C6	C6-R825C-FAF307A	R825C-AF23STUC1103A	265.2-821		5680 051-02
825D-87TC11-C8	C8-R825C-FAF499A	R825C-AF23STUC1103A	265.2-821		5680 051-02
825D-107TC11-C6	C6-R825C-FAG307A	R825C-AF23STUC1103A	265.2-821		5680 051-02
825D-107TC11-C8	C8-R825C-FAG377A	R825C-AF23STUC1103A	265.2-821		5680 051-02
825D-137TC11-C6	C6-R825C-FAH307A	R825C-AF23STUC1103A	265.2-821		5680 051-02
825D-137TC11-C8	C8-R825C-FAH377A	R825C-AF23STUC1103A	265.2-821		5680 051-02
825D-167TC11-C6	C6-R825C-FAI307A	R825C-AF23STUC1103A	265.2-821		5680 051-02
825D-167TC11-C8	C8-R825C-FAI377A	R825C-AF23STUC1103A	265.2-821		5680 051-02
	Accessories				
	6				
Ordering code	Slide extension				
825D-29TC06-C3	825A-030A				
825D-36TC06-C3	825A-030A				
825D-45TC09-C4	825B-036A				
825D-56TC09-C5	825B-036A				
825D-70TC11-C5	825C-048A				
825D-70TC11-C6	825C-048A				
825D-87TC11-C6	825C-048A				
825D-87TC11-C8	825C-048A				
825D-107TC11-C6	825C-048A				
825D-107TC11-C8	825C-048A				
825D-137TC11-C6	825C-048A				
825D-137TC11-C8	825C-048A				
825D-167TC11-C6	825C-048A				
825D-167TC11-C8	825C-048A				

CoroBore® 825 XL/CoroBore® 826 XL

Assembly with Coromant Capto®



Detailed spare part lists

- Adapter See page 23
- Fine boring head See page 31
- Cartridge See page 32

- 1-10 Included parts
- 11 Accessories, must be ordered separately.

TSYC: 825..TC-Cx (XL)

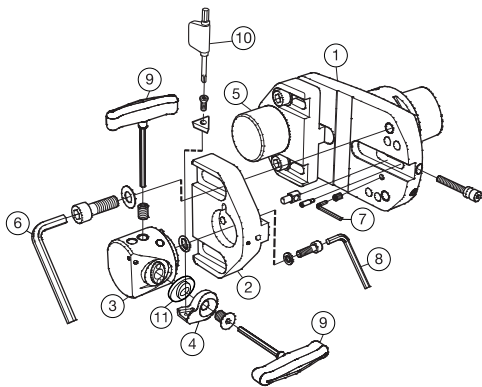
	1	2	3	4	5
Ordering code	Adapter	Slide	Fine boring head	Cartridge	Counterweight
825-215TC11-C6	C6-R825XLS17-AJ 058	S17-R825XLA34-020	A34-R825C-E 017 A	R825C-AF23STUC1103A	S17-825XL-CW
825-215TC11-C8	C8-R822XLS17-AJ 070	S17-R825XLA34-020	A34-R825C-E 017 A	R825C-AF23STUC1103A	S17-825XL-CW
825-215TC11-C10	C10-R822XLS17-AJ 076	S17-R825XLA34-020	A34-R825C-E 017 A	R825C-AF23STUC1103A	S17-825XL-CW
825-265TC11-C6	C6-R825XLS17-AK 058	S17-R825XLA34-020	A34-R825C-E 017 A	R825C-AF23STUC1103A	S17-825XL-CW
825-265TC11-C8	C8-R822XLS17-AK 070	S17-R825XLA34-020	A34-R825C-E 017 A	R825C-AF23STUC1103A	S17-825XL-CW
825-265TC11-C10	C10-R822XLS17-AK 076	S17-R825XLA34-020	A34-R825C-E 017 A	R825C-AF23STUC1103A	S17-825XL-CW
825-315TC11-C6	C6-R825XLS17-AL 058	S17-R825XLA34-020	A34-R825C-E 017 A	R825C-AF23STUC1103A	S17-825XL-CW
825-315TC11-C8	C8-R822XLS17-AL 070	S17-R825XLA34-020	A34-R825C-E 017 A	R825C-AF23STUC1103A	S17-825XL-CW
825-315TC11-C10	C10-R822XLS17-AL 076	S17-R825XLA34-020	A34-R825C-E 017 A	R825C-AF23STUC1103A	S17-825XL-CW

	6	7	8	9	10
Ordering code	Key	Key	Key	Key	Key
825-215TC11-C6	3021 010-080	3021 010-030	3021 010-050	265.2-821	5680 051-02
825-215TC11-C8	3021 010-080	3021 010-030	3021 010-050	265.2-821	5680 051-02
825-215TC11-C10	3021 010-080	3021 010-030	3021 010-050	265.2-821	5680 051-02
825-265TC11-C6	3021 010-080	3021 010-030	3021 010-050	265.2-821	5680 051-02
825-265TC11-C8	3021 010-080	3021 010-030	3021 010-050	265.2-821	5680 051-02
825-265TC11-C10	3021 010-080	3021 010-030	3021 010-050	265.2-821	5680 051-02
825-315TC11-C6	3021 010-080	3021 010-030	3021 010-050	265.2-821	5680 051-02
825-315TC11-C8	3021 010-080	3021 010-030	3021 010-050	265.2-821	5680 051-02
825-315TC11-C10	3021 010-080	3021 010-030	3021 010-050	265.2-821	5680 051-02

Accessories	
	11
Ordering code	Slide extension
825-215TC11-C6	825C-048A
825-215TC11-C8	825C-048A
825-215TC11-C10	825C-048A
825-265TC11-C6	825C-048A
825-265TC11-C8	825C-048A
825-265TC11-C10	825C-048A
825-315TC11-C6	825C-048A
825-315TC11-C8	825C-048A
825-315TC11-C10	825C-048A

CoroBore® 825 XL/CoroBore® 826 XL

Assembly with Coromant Capto®



Detailed spare part lists

- Adapter See page 23
- Fine boring head See page 31
- Cartridge See page 32

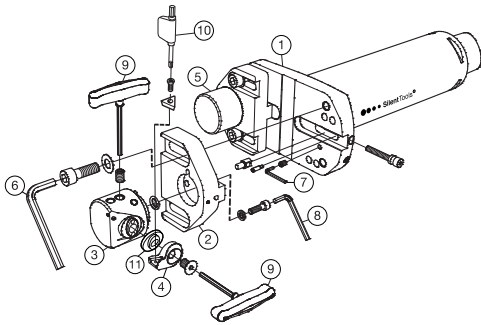
- 1-10 Included parts
- 11 Accessories, must be ordered separately.

TSYC: 826..TC-Cx (XL)

	1	2	3	4	5
Ordering code	Adapter	Slide	Fine boring head	Cartridge	Counterweight
826-200TC11-C6	C6-R825XLS17-AJ 058	S17-R825XLA34-020	A34-R826C-E 017	R825C-AF23STUC1103A	S17-825-CW A
826-200TC11-C8	C8-R822XLS17-AJ 070	S17-R825XLA34-020	A34-R826C-E 017	R825C-AF23STUC1103A	S17-825-CW A
826-200TC11-C10	C10-R822XLS17-AJ 076	S17-R825XLA34-020	A34-R826C-E 017	R825C-AF23STUC1103A	S17-825-CW A
826-250TC11-C6	C6-R825XLS17-AK 058	S17-R825XLA34-020	A34-R826C-E 017	R825C-AF23STUC1103A	S17-825-CW A
826-250TC11-C8	C8-R822XLS17-AK 070	S17-R825XLA34-020	A34-R826C-E 017	R825C-AF23STUC1103A	S17-825-CW A
826-250TC11-C10	C10-R822XLS17-AK 076	S17-R825XLA34-020	A34-R826C-E 017	R825C-AF23STUC1103A	S17-825-CW A
826-300TC11-C6	C6-R825XLS17-AL 058	S17-R825XLA34-020	A34-R826C-E 017	R825C-AF23STUC1103A	S17-825-CW A
826-300TC11-C8	C8-R822XLS17-AL 070	S17-R825XLA34-020	A34-R826C-E 017	R825C-AF23STUC1103A	S17-825-CW A
826-300TC11-C10	C10-R822XLS17-AL 076	S17-R825XLA34-020	A34-R826C-E 017	R825C-AF23STUC1103A	S17-825-CW A
	6	7	8	9	10
Ordering code	Key	Key	Key	Key	Key
826-200TC11-C6	3021 010-080	3021 010-030	3021 010-050	265.2-821	5680 051-02
826-200TC11-C8	3021 010-080	3021 010-030	3021 010-050	265.2-821	5680 051-02
826-200TC11-C10	3021 010-080	3021 010-030	3021 010-050	265.2-821	5680 051-02
826-250TC11-C6	3021 010-080	3021 010-030	3021 010-050	265.2-821	5680 051-02
826-250TC11-C8	3021 010-080	3021 010-030	3021 010-050	265.2-821	5680 051-02
826-250TC11-C10	3021 010-080	3021 010-030	3021 010-050	265.2-821	5680 051-02
826-300TC11-C6	3021 010-080	3021 010-030	3021 010-050	265.2-821	5680 051-02
826-300TC11-C8	3021 010-080	3021 010-030	3021 010-050	265.2-821	5680 051-02
826-300TC11-C10	3021 010-080	3021 010-030	3021 010-050	265.2-821	5680 051-02
	Accessories				
Ordering code	11 Slide extension				
826-200TC11-C6	825C-048A				
826-200TC11-C8	825C-048A				
826-200TC11-C10	825C-048A				
826-250TC11-C6	825C-048A				
826-250TC11-C8	825C-048A				
826-250TC11-C10	825C-048A				
826-300TC11-C6	825C-048A				
826-300TC11-C8	825C-048A				
826-300TC11-C10	825C-048A				

CoroBore® 825D XL/CoroBore® 826D XL

Assembly with Coromant Capto® Dampened



Detailed spare part lists

Adapter See page 23
 Fine boring head See page 31
 Cartridge See page 32

1-10 Included parts
 11 Accessories, must be ordered separately.

TSYC: 825D..TC-Cx (XL), 826D..TC-Cx (XL)

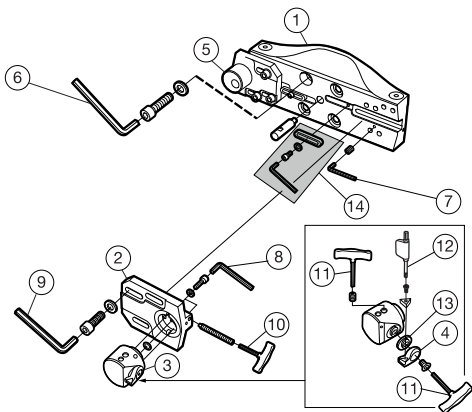
Ordering code	1 Adapter	2 Slide	3 Fine boring head	4 Cartridge	5 Counterweight
826D-200TC11-C8	C8-R825XLS17-FJ340	S17-R825XLA34-020	A34-R826C-E 017	R825C-AF23STUC1103A	S17-825XL-CW
825D-215TC11-C8	C8-R825XLS17-FJ340	S17-R825XLA34-020	A34-R825C-E 017 A	R825C-AF23STUC1103A	S17-825XL-CW
826D-250TC11-C8	C8-R825XLS17-FK340	S17-R825XLA34-020	A34-R826C-E 017	R825C-AF23STUC1103A	S17-825XL-CW
825D-265TC11-C8	C8-R825XLS17-FK340	S17-R825XLA34-020	A34-R825C-E 017 A	R825C-AF23STUC1103A	S17-825XL-CW
826D-300TC11-C8	C8-R825XLS17-FL340	S17-R825XLA34-020	A34-R826C-E 017	R825C-AF23STUC1103A	S17-825XL-CW
825D-315TC11-C8	C8-R825XLS17-FL340	S17-R825XLA34-020	A34-R825C-E 017 A	R825C-AF23STUC1103A	S17-825XL-CW

Ordering code	6 Key	7 Key	8 Key	9 Key	10 Key
826D-200TC11-C8	3021 010-080	3021 010-030	3021 010-050	265.2-821	5680 051-02
825D-215TC11-C8	3021 010-080	3021 010-030	3021 010-050	265.2-821	5680 051-02
826D-250TC11-C8	3021 010-080	3021 010-030	3021 010-050	265.2-821	5680 051-02
825D-265TC11-C8	3021 010-080	3021 010-030	3021 010-050	265.2-821	5680 051-02
826D-300TC11-C8	3021 010-080	3021 010-030	3021 010-050	265.2-821	5680 051-02
825D-315TC11-C8	3021 010-080	3021 010-030	3021 010-050	265.2-821	5680 051-02

Ordering code	11 Slide extension
826D-200TC11-C8	825C-048A
825D-215TC11-C8	825C-048A
826D-250TC11-C8	825C-048A
825D-265TC11-C8	825C-048A
826D-300TC11-C8	825C-048A
825D-315TC11-C8	825C-048A

CoroBore® 825 XL/CoroBore® 826 XL

Assembly with bridge



Detailed spare part lists

Bridge	See page 25
Slide	See page 30
Fine boring head	See page 31
Cartridge	See page 32
Stop plate set	See page 26

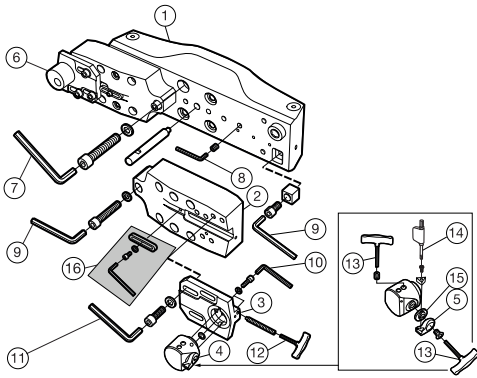
1-12 Included parts
13-14 Accessories, must be ordered separately.

TSYC: 825..TC (XL), 826..TC (XL)

	1	2	3	4	5
Ordering code	Bridge	Slide	Fine boring head	Cartridge	Counterweight
826-380TC11	A40-RXLS24-AM2 062	S24-R825XLA34-012	A34-R826C-E 017	R825C-AF23STUC1103A	S24-825XL-CW
825-395TC11	A40-RXLS24-AM2 062	S24-R825XLA34-012	A34-R825C-E 017 A	R825C-AF23STUC1103A	S24-825XL-CW
826-460TC11	A40-RXLS24-AN2 067	S24-R825XLA34-012	A34-R826C-E 017	R825C-AF23STUC1103A	S24-825XL-CW
825-475TC11	A40-RXLS24-AN2 067	S24-R825XLA34-012	A34-R825C-E 017 A	R825C-AF23STUC1103A	S24-825XL-CW
826-540TC11	A40-RXLS24-AO2 072	S24-R825XLA34-012	A34-R826C-E 017	R825C-AF23STUC1103A	S24-825XL-CW
825-555TC11	A40-RXLS24-AO2 072	S24-R825XLA34-012	A34-R825C-E 017 A	R825C-AF23STUC1103A	S24-825XL-CW
	6	7	8	9	10
Ordering code	Key	Key	Key	Key	Key
826-380TC11	3021 010-140	3021 010-030	3021 010-050	3021 010-080	265.2-817
825-395TC11	3021 010-140	3021 010-030	3021 010-050	3021 010-080	265.2-817
826-460TC11	3021 010-140	3021 010-030	3021 010-050	3021 010-080	265.2-817
825-475TC11	3021 010-140	3021 010-030	3021 010-050	3021 010-080	265.2-817
826-540TC11	3021 010-140	3021 010-030	3021 010-050	3021 010-080	265.2-817
825-555TC11	3021 010-140	3021 010-030	3021 010-050	3021 010-080	265.2-817
	11	12	Accessories	Accessories	
Ordering code	Key	Key	13	14	
			Slide extension	Stop plate set	
826-380TC11	265.2-821	5680 051-02	825C-048A	5335 001-01	
825-395TC11	265.2-821	5680 051-02	825C-048A	5335 001-01	
826-460TC11	265.2-821	5680 051-02	825C-048A	5335 001-01	
825-475TC11	265.2-821	5680 051-02	825C-048A	5335 001-01	
826-540TC11	265.2-821	5680 051-02	825C-048A	5335 001-01	
825-555TC11	265.2-821	5680 051-02	825C-048A	5335 001-01	

CoroBore® 825 XL/CoroBore® 826 XL

Assembly with bridge and bridge extension



Detailed spare part lists

Bridge	See page 25
Bridge extension	See page 26
Slide	See page 30
Fine boring head	See page 31
Cartridge	See page 32
Stop plate set	See page 26

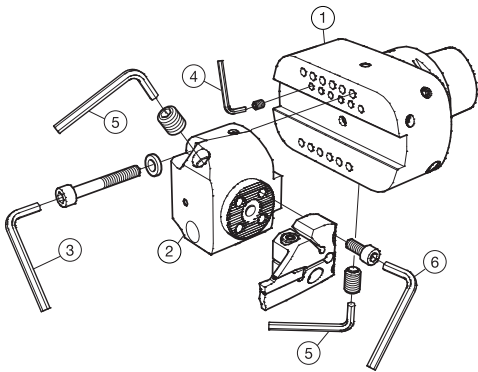
1-14 Included parts
15-16 Accessories, must be ordered separately.

TSYC: 825..TC (XL-EXT), 826..TC (XL-EXT)

	1	2	3	4	5	
Ordering code	Bridge	Bridge extension	Slide	Fine boring head	Cartridge	
826-780TC11	A40-NXLA35-AP2 086	A35-RXLS24-A 060	S24-R825XLA34-012	A34-R826C-E 017	R825C-AF23STUC1103A	
825-795TC11	A40-NXLA35-AP2 086	A35-RXLS24-A 060	S24-R825XLA34-012	A34-R825C-E 017 A	R825C-AF23STUC1103A	
826-1020TC11	A40-NXLA35-AQ2 106	A35-RXLS24-A 060	S24-R825XLA34-012	A34-R826C-E 017	R825C-AF23STUC1103A	
825-1035TC11	A40-NXLA35-AQ2 106	A35-RXLS24-A 060	S24-R825XLA34-012	A34-R825C-E 017 A	R825C-AF23STUC1103A	
826-1260TC11	A40-NXLA35-AR2 106	A35-RXLS24-A 060	S24-R825XLA34-012	A34-R826C-E 017	R825C-AF23STUC1103A	
825-1275TC11	A40-NXLA35-AR2 106	A35-RXLS24-A 060	S24-R825XLA34-012	A34-R825C-E 017 A	R825C-AF23STUC1103A	
	6	7	8	9	10	
Ordering code	Counterweight	Key	Key	Key	Key	
826-780TC11	S24-825XL-CW	3021 010-140	3021 010-040	3021 010-100	3021 010-050	
825-795TC11	S24-825XL-CW	3021 010-140	3021 010-040	3021 010-100	3021 010-050	
826-1020TC11	S24-825XL-CW	3021 010-140	3021 010-040	3021 010-100	3021 010-050	
825-1035TC11	S24-825XL-CW	3021 010-140	3021 010-040	3021 010-100	3021 010-050	
826-1260TC11	S24-825XL-CW	3021 010-140	3021 010-040	3021 010-100	3021 010-050	
825-1275TC11	S24-825XL-CW	3021 010-140	3021 010-040	3021 010-100	3021 010-050	
	11	12	13	14	Accessories	
Ordering code	Key	Key	Key	Key	Slide extension	
826-780TC11	3021 010-080	265.2-817	265.2-821	5680 051-02	825C-048A	
825-795TC11	3021 010-080	265.2-817	265.2-821	5680 051-02	825C-048A	
826-1020TC11	3021 010-080	265.2-817	265.2-821	5680 051-02	825C-048A	
825-1035TC11	3021 010-080	265.2-817	265.2-821	5680 051-02	825C-048A	
826-1260TC11	3021 010-080	265.2-817	265.2-821	5680 051-02	825C-048A	
825-1275TC11	3021 010-080	265.2-817	265.2-821	5680 051-02	825C-048A	
	Accessories					
	16					
Ordering code	Stop plate set					
826-780TC11	5335 001-01					
825-795TC11	5335 001-01					
826-1020TC11	5335 001-01					
825-1035TC11	5335 001-01					
826-1260TC11	5335 001-01					
825-1275TC11	5335 001-01					

CoroBore® 825 SL

Assembly with Coromant Capto®



Adapter
Face grooving head

Detailed spare part lists

See page 24
See page 31

1-5 Included parts

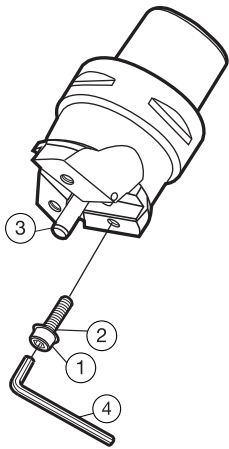
TSYC: 825..SL-Cx

	1	2	3	4	5	
Ordering code	Adapter	Face grooving head	Key	Key	Key	
825-150SL32-C6	C6-R825S20-150 068	S20-R825SL32 020	3021 010-050	3021 010-025	3021 010-040	
825-150SL32-C8	C8-R825S20-150 076	S20-R825SL32 020	3021 010-050	3021 010-025	3021 010-040	

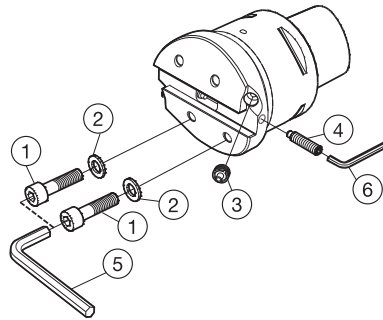
Adapter

CoroBore® 820 and Duobore™ 821

TSYC: Cx-R820..AA



TSYC: Cx-391.68A (1)



TSYC: Cx-R820..AA

Ordering code	Spare parts			Accessories
	1 Screw	2 Cup spring	3 Parallel pin	4 Key
C3-R820A-AA3037A	3212 010-299	3846 010-014	3111 020-462	3021 010-030
C4-R820A-AA3072A	3212 010-299	3846 010-014	3111 020-462	3021 010-030
C4-R820B-AA3044A	3212 010-309	3846 010-023	3111 020-514	3021 010-040
C5-R820B-AA3086A	3212 010-309	3846 010-023	3111 020-514	3021 010-040
C5-R820C-AA3050A	3212 010-397	3846 010-033	3111 020-566	3021 010-050
C5-R820D-AA3052A	3212 010-360	3846 010-033	3111 020-618	3021 010-050
C6-R820C-AA3104A	3212 010-397	3846 010-033	3111 020-566	3021 010-050
C6-R820D-AA3060A	3212 010-360	3846 010-033	3111 020-618	3021 010-050
C6-R820E-AA3068A	3212 010-411	3846 010-048	3111 020-670	3021 010-060
C8-R820E-AA3072A	3212 010-411	3846 010-048	3111 020-670	3021 010-060
C8-R820F-AA3076A	3212 010-462	3846 010-069	3111 020-721	3021 010-080
C8-R820G-AA3076A	3212 010-462	3846 010-069	3111 020-721	3021 010-080

TSYC: Cx-391.68A (1)

Ordering code	Spare parts				Accessories
	1 Screw	2 Washer	3 Nozzle	4 Screw	5 Key
C3-391.68A-1-021068B	3212 010-299	3411 012-043	5691 040-03	5514 060-09	3021 010-030
C3-391.68A-2-026084B	3212 010-299	3411 012-043	5691 040-03	5514 060-01	3021 010-030
C3-391.68A-3-032034B	3212 010-299	3411 012-043	5691 040-01	5514 060-10	3021 010-030
C4-391.68A-4-040041B	3212 010-309	3411 012-053	5691 040-01	5514 060-10	3021 010-040
C5-391.68A-5-050044B	3212 010-361	3411 012-064	5691 040-01	5514 060-11	3021 010-050
C5-391.68A-6-063045C	3212 010-396	3411 012-064	5691 034-01	5514 060-12	3021 010-050
C6-391.68A-6-063045C	3212 010-396	3411 012-064	5691 034-01	5514 060-12	3021 010-050
C6-391.68A-7-096 060	3212 010-412	3411 012-084	5691 034-02	5514 060-13	3021 010-060
C8-391.68A-7-080060D	3212 010-412	3411 012-084	5691 034-02	5514 060-13	3021 010-060

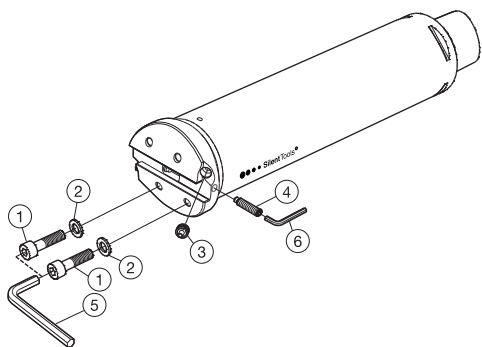
Ordering code	Accessories
	6 Key
C3-391.68A-1-021068B	174.1-870
C3-391.68A-2-026084B	174.1-870
C3-391.68A-3-032034B	174.1-870
C4-391.68A-4-040041B	174.1-870
C5-391.68A-5-050044B	174.1-870
C5-391.68A-6-063045C	3021 010-025
C6-391.68A-6-063045C	3021 010-025
C6-391.68A-7-096 060	3021 010-030
C8-391.68A-7-080060D	3021 010-030

Accessories, must be ordered separately.

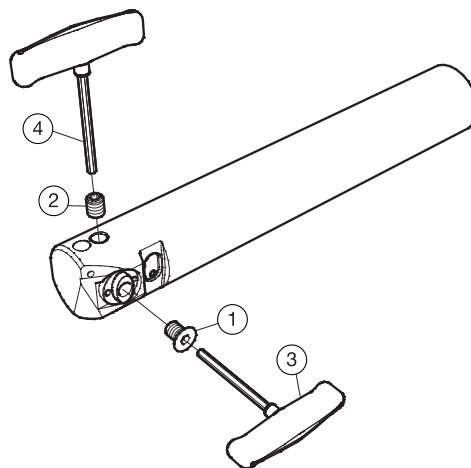
Adapter

DuoBore™ 821D and CoroBore® 825 cylindrical shank

TSYC: Cx-391.69A



TSYC: A..R825



TSYC: Cx-391.69A

Ordering code	Spare parts				Accessories
	1 Screw	2 Washer	3 Nozzle	4 Screw	5 Key
C3-391.69A-1-022200A	3212 010-299	3411 012-043	5691 040-03	5514 060-09	3021 010-030
C3-391.69A-2-026211A	3212 010-299	3411 012-043	5691 040-03	5514 060-01	3021 010-030
C4-391.69A-3-032262A	3212 010-299	3411 012-043	5691 040-01	5514 060-10	3021 010-030
C5-391.69A-4-040308A	3212 010-309	3411 012-053	5691 040-01	5514 060-10	3021 010-040
C5-391.69A-5-050280A	3212 010-361	3411 012-064	5691 040-01	5514 060-11	3021 010-050
C6-391.69A-6-063367A	3212 010-396	3411 012-064	5691 034-01	5514 060-12	3021 010-050
C6-391.69A-7-063 360	3212 010-412	3411 012-084	5691 034-02	5514 060-13	3021 010-060
C8-391.69A-7-080 380 A	3212 010-412	3411 012-084	5691 034-02	5514 060-13	3021 010-060
Ordering code	Accessories				6
C3-391.69A-1-022200A	174.1-870				
C3-391.69A-2-026211A	174.1-870				
C4-391.69A-3-032262A	174.1-870				
C5-391.69A-4-040308A	174.1-870				
C5-391.69A-5-050280A	174.1-870				
C6-391.69A-6-063367A	3021 010-025				
C6-391.69A-7-063 360	3021 010-030				
C8-391.69A-7-080 380 A	3021 010-030				

TSYC: A..R825

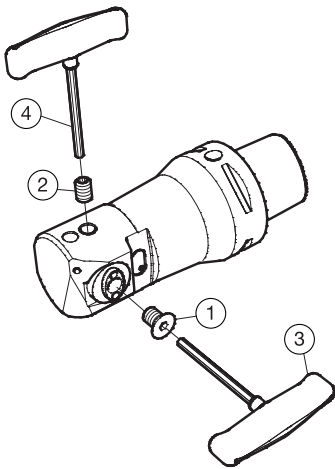
Ordering code	Spare parts		Accessories	
	1 Screw for cartridge	2 Locking screw	3 Key	4 Key
A18-R825A-A18116-RA	5513 010-06	5519 026-09	5680 012-02	
A20-R825A-AA120-RA	5513 010-06	5519 026-09	5680 012-02	
A25-R825A-AB146-RA	5513 010-06	5519 026-11	5680 012-02	265.2-815

Accessories, must be ordered separately.

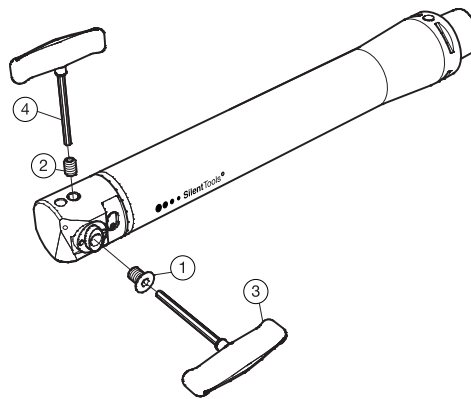
Adapter

CoroBore® 825, Coromant Capto®, Corobore® 825D and Coromant Capto® Dampened

TSYC: Cx-R825..AA



TSYC: Cx-R825..FA



TSYC: Cx-R825..AA

Ordering code	Spare parts		Accessories	
	1	2	3	4
	Screw for cartridge	Locking screw	Key	Key
C3-R825A-AA18078A	5513 010-06	5519 026-09	5680 012-02	
C3-R825A-AAA065A	5513 010-06	5519 026-09	5680 012-02	
C3-R825A-AAB072A	5513 010-06	5519 026-11	5680 012-02	265.2-815
C3-R825B-AAC031A	5513 010-07	5519 026-12	265.2-817	
C4-R825A-AAA074A	5513 010-06	5519 026-09	5680 012-02	
C4-R825A-AAB084A	5513 010-06	5519 026-11	5680 012-02	265.2-815
C4-R825B-AAC066A	5513 010-07	5519 026-12	265.2-817	
C4-R825B-AAD039A	5513 010-07	437.5-822	265.2-817	
C5-R825B-AAD081A	5513 010-07	437.5-822	265.2-817	
C5-R825C-AAE043A	5513 010-08	5519 026-10	265.2-821	
C5-R825C-AAF047A	5513 010-08	470-872	265.2-821	
C5-R825C-AAG053A	5513 010-08	470-873	265.2-821	
C6-R825C-AAE097A	5513 010-08	5519 026-10	265.2-821	
C6-R825C-AAF055A	5513 010-08	470-872	265.2-821	
C6-R825C-AAG067A	5513 010-08	470-873	265.2-821	
C6-R825C-AAH067A	5513 010-08	470-873	265.2-821	
C6-R825C-AAI067A	5513 010-08	470-873	265.2-821	
C8-R825C-AAH077A	5513 010-08	470-873	265.2-821	
C8-R825C-AAI077A	5513 010-08	470-873	265.2-821	

TSYC: Cx-R825..FA

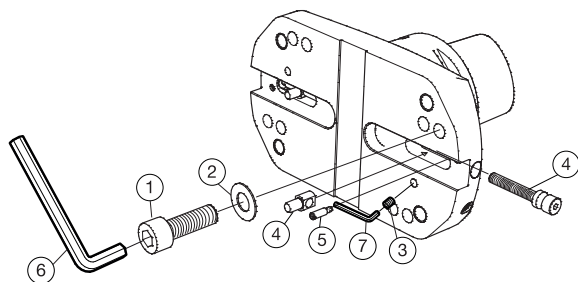
Ordering code	Spare parts		Accessories	
	1	2	3	4
	Screw for cartridge	Locking screw	Key	Key
C3-R825A-FAA181A	5513 010-06	5519 026-09	5680 012-02	
C3-R825A-FAB208A	5513 010-06	5519 026-11	5680 012-02	265.2-815
C4-R825B-FAC255A	5513 010-07	5519 026-12	265.2-817	
C5-R825B-FAD315A	5513 010-07	437.5-822	265.2-817	
C5-R825C-FAE237A	5513 010-08	5519 026-10	265.2-821	
C6-R825C-FAE389A	5513 010-08	5519 026-10	265.2-821	
C6-R825C-FAF307A	5513 010-08	470-872	265.2-821	
C6-R825C-FAG307A	5513 010-08	470-873	265.2-821	
C6-R825C-FAH307A	5513 010-08	470-873	265.2-821	
C6-R825C-FAI307A	5513 010-08	470-873	265.2-821	
C8-R825C-FAF499A	5513 010-08	470-872	265.2-821	
C8-R825C-FAG377A	5513 010-08	470-873	265.2-821	
C8-R825C-FAH377A	5513 010-08	470-873	265.2-821	
C8-R825C-FAI377A	5513 010-08	470-873	265.2-821	

Accessories, must be ordered separately.

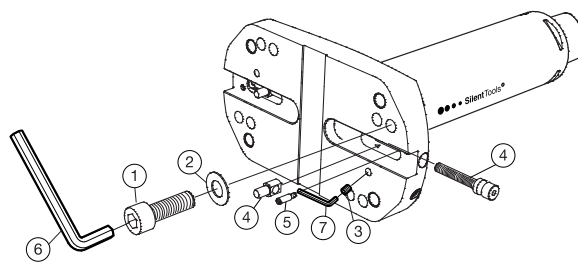
Adapter

CoroBore® 820 XL, CoroBore® 825 XL, CoroBore® 825D XL, CoroBore® 826 XL and CoroBore® 826D XL

TSYC: Cx-R822XL, Cx-R825XL..A



Cx-R825XL..F



TSYC: Cx-R822XL, Cx-R825XL..A

Spare parts					
Ordering code	1 Screw	2 Washer	3 Screw	4 Adjustment set	5 Pin screw
C10-R822XLS17-AJ 076	3212 010-462	3411 013-105	3214 010-355	5519 091-01	3212 230-207
C10-R822XLS17-AK 076	3212 010-462	3411 013-105	3214 010-355	5519 091-01	3212 230-207
C10-R822XLS17-AL 076	3212 010-462	3411 013-105	3214 010-355	5519 091-01	3212 230-207
C6-R825XLS17-AJ 058	3212 010-462	3411 013-105	3214 010-355	5519 091-01	3212 230-207
C6-R825XLS17-AK 058	3212 010-462	3411 013-105	3214 010-355	5519 091-01	3212 230-207
C6-R825XLS17-AL 058	3212 010-462	3411 013-105	3214 010-355	5519 091-01	3212 230-207
C8-R822XLS17-AJ 070	3212 010-462	3411 013-105	3214 010-355	5519 091-01	3212 230-207
C8-R822XLS17-AK 070	3212 010-462	3411 013-105	3214 010-355	5519 091-01	3212 230-207
C8-R822XLS17-AL 070	3212 010-462	3411 013-105	3214 010-355	5519 091-01	3212 230-207

Accessories		
Ordering code	6 Key	7 Key
C10-R822XLS17-AJ 076	3021 010-080	3021 010-030
C10-R822XLS17-AK 076	3021 010-080	3021 010-030
C10-R822XLS17-AL 076	3021 010-080	3021 010-030
C6-R825XLS17-AJ 058	3021 010-080	3021 010-030
C6-R825XLS17-AK 058	3021 010-080	3021 010-030
C6-R825XLS17-AL 058	3021 010-080	3021 010-030
C8-R822XLS17-AJ 070	3021 010-080	3021 010-030
C8-R822XLS17-AK 070	3021 010-080	3021 010-030
C8-R822XLS17-AL 070	3021 010-080	3021 010-030

TSYC: Cx-R825XL..F

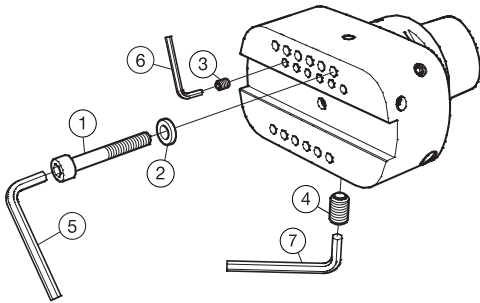
Spareparts					
Ordering code	1 Screw	2 Washer	3 Screw	4 Adjustment set	5 Pin screw
C8-R825XLS17-FJ340	3212 010-462	3411 013-105	3214 010-355	5519 091-01	3212 230-207
C8-R825XLS17-FK340	3212 010-462	3411 013-105	3214 010-355	5519 091-01	3212 230-207
C8-R825XLS17-FL340	3212 010-462	3411 013-105	3214 010-355	5519 091-01	3212 230-207

Accessories		
Ordering code	6 Key	7 Key
C8-R825XLS17-FJ340	3021 010-080	3021 010-030
C8-R825XLS17-FK340	3021 010-080	3021 010-030
C8-R825XLS17-FL340	3021 010-080	3021 010-030

Accessories, must be ordered separately.

Adapter

CoroBore® 825 SL



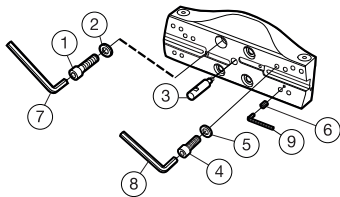
TSYC: Cx-R825S

	Spare parts				Accessories	
	1	2	3	4	5	
Ordering code	Screw	Washer	Screw	Locking screw	Key	
C6-R825S20-150 068	3212 010-364	3411 010-064	3214 010-305	5519 026-07	3021 010-050	
C8-R825S20-150 076	3212 010-364	3411 010-064	3214 010-305	5519 026-07	3021 010-050	
	Accessories					
	6					
Ordering code	Key					
C6-R825S20-150 068	3021 010-025					
C8-R825S20-150 076	3021 010-025					

Accessories, must be ordered separately.

Bridge

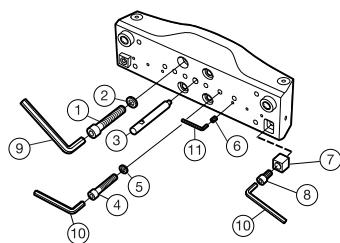
CoroBore® 820 XL, CoroBore® 825 XL and CoroBore® 826 XL



TSYC: A40-RXLS24

	Spare parts				
	1	2	3	4	5
Ordering code	Screw	Washer	Parallel pin set	Screw	Cup spring
A40-RXLS24-AM2 062	3212 010-569	3411 012-170	5552 047-01	3212 010-462	3846 010-069
A40-RXLS24-AN2 067	3212 010-569	3411 012-170	5552 047-01	3212 010-462	3846 010-069
A40-RXLS24-AO2 072	3212 010-569	3411 012-170	5552 047-01	3212 010-462	3846 010-069
	Spare parts		Accessories		
	6	7	8	9	
Ordering code	Screw	Key	Key	Key	
A40-RXLS24-AM2 062	3214 010-355	3021 010-140	3021 010-080	3021 010-030	
A40-RXLS24-AN2 067	3214 010-355	3021 010-140	3021 010-080	3021 010-030	
A40-RXLS24-AO2 072	3214 010-355	3021 010-140	3021 010-080	3021 010-030	

Accessories, must be ordered separately.



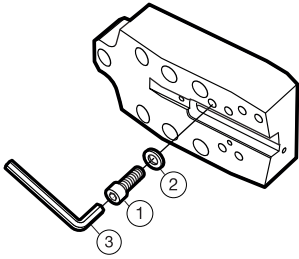
TSYC: A40-NXLA35

	Spare parts				
	1	2	3	4	5
Ordering code	Screw	Washer	Parallel pin set	Screw	Washer
A40-NXLA35-AP2 086	3212 010-572	3411 012-170	5552 047-02	3212 010-518	3411 012-130
A40-NXLA35-AQ2 106	3212 010-572	3411 012-170	5552 047-02	3212 010-518	3411 012-130
A40-NXLA35-AR2 106	3212 010-572	3411 012-170	5552 047-02	3212 010-518	3411 012-130
	Spare parts			Accessories	
	6	7	8	9	10
Ordering code	Screw	Driving key	Screw	Key	Key
A40-NXLA35-AP2 086	3214 010-406	3193 110-050	3212 010-511	3021 010-140	3021 010-100
A40-NXLA35-AQ2 106	3214 010-406	3193 110-050	3212 010-511	3021 010-140	3021 010-100
A40-NXLA35-AR2 106	3214 010-406	3193 110-050	3212 010-511	3021 010-140	3021 010-100
	Accessories				
	11				
Ordering code	Key				
A40-NXLA35-AP2 086	3021 010-040				
A40-NXLA35-AQ2 106	3021 010-040				
A40-NXLA35-AR2 106	3021 010-040				

Accessories, must be ordered separately.

Bridge extension

CoroBore® 820 XL, CoroBore® 825 XL and CoroBore® 826 XL



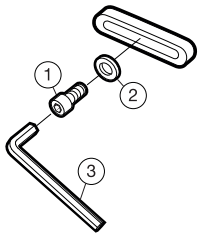
TSYC: A35

	Spare parts		Accessories
	1	2	3
Ordering code	Screw	Cup spring	Key
A35-RXLS24-A 060	3212 010-462	3846 010-069	3021 010-080

Accessories, must be ordered separately.

Stop plate set

CoroBore® 820 XL, CoroBore® 825 XL and CoroBore® 826 XL



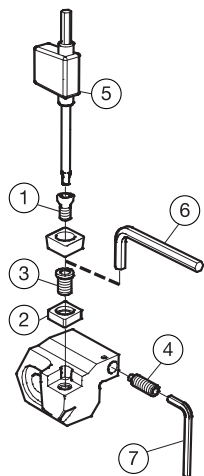
TSYC: 5335 001

	Spare parts		Accessories
	1	2	3
Ordering code	Screw	Washer	Key
5335 001-01	3212 010-359	3411 011-064	3021 010-050

Accessories, must be ordered separately.

Slide

CoroBore® 820



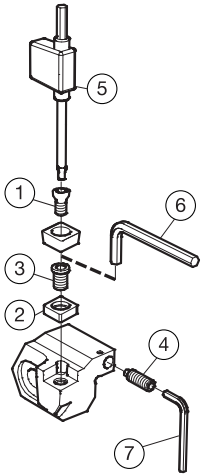
TSYC: R820..SCFC

Ordering code	Spare parts				Accessories
	1 Insert screw	2 Shim	3 Shim screw	4 Setting screw	5 Key
R820A-AR11SCFC06A	5513 020-03			3214 020-207	5680 051-02
R820A-BR11SCFC06A	5513 020-03			3214 020-208	5680 051-02
R820B-AR12SCFC06A	5513 020-03			3214 020-208	5680 051-02
R820B-BR12SCFC06A	5513 020-03			3214 020-209	5680 051-02
R820B-BR14SCFC09A	5513 020-09			3214 020-209	5680 049-02
R820C-AR16SCFC09A	5513 020-09			3214 020-207	5680 049-02
R820C-BR16SCFC09A	5513 020-09			3214 020-207	5680 049-02
R820C-BR18SCFC12A	5513 020-17			3214 020-207	5680 049-02
R820D-AR18SCFC09A	5513 020-09			3214 020-258	5680 049-02
R820D-AR18SCFC12A	5513 020-17			3214 020-258	5680 049-02
R820D-BR18SCFC09A	5513 020-09			3214 020-258	5680 049-02
R820D-BR18SCFC12A	5513 020-17			3214 020-258	5680 049-02
R820E-AR22SCFC12A	5513 020-17			3214 020-259	5680 049-02
R820E-BR22SCFC12A	5513 020-17			3214 020-259	5680 049-02
R820F-AR24SCFC12A	5513 020-18	5322 232-02	5512 090-03	3214 020-310	5680 049-02
R820F-BR24SCFC12A	5513 020-18	5322 232-02	5512 090-03	3214 020-311	5680 049-02
R820G-AR24SCFC12A	5513 020-18	5322 232-02	5512 090-03	3214 020-311	5680 049-02
R820G-BR24SCFC12A	5513 020-18	5322 232-02	5512 090-03	3214 020-312	5680 049-02
Accessories					
Ordering code	6	7			
	Key	Setting key			
R820A-AR11SCFC06A		3021 012-015			
R820A-BR11SCFC06A		3021 012-015			
R820B-AR12SCFC06A		3021 012-015			
R820B-BR12SCFC06A		3021 012-015			
R820B-BR14SCFC09A		3021 012-015			
R820C-AR16SCFC09A		3021 012-015			
R820C-BR16SCFC09A		3021 012-015			
R820C-BR18SCFC12A		3021 012-015			
R820D-AR18SCFC09A		174.1-870			
R820D-AR18SCFC12A		174.1-870			
R820D-BR18SCFC09A		174.1-870			
R820D-BR18SCFC12A		174.1-870			
R820E-AR22SCFC12A		174.1-870			
R820E-BR22SCFC12A		174.1-870			
R820F-AR24SCFC12A	5680 010-06	5680 010-02			
R820F-BR24SCFC12A	5680 010-06	5680 010-02			
R820G-AR24SCFC12A	5680 010-06	5680 010-02			
R820G-BR24SCFC12A	5680 010-06	5680 010-02			

Accessories, must be ordered separately.

Slide

CoroBore® 820



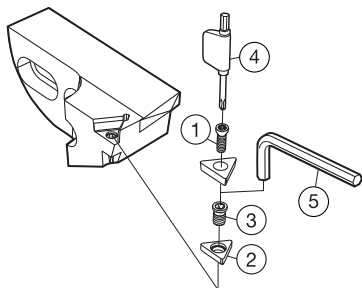
TSYC: R820..SSYC

Ordering code	Spare parts				Accessories
	1 Insert screw	2 Shim	3 Shim screw	4 Setting screw	5 Key
R820B-BR14SSYC09A	5513 020-09			3214 020-209	5680 049-02
R820C-AR16SSYC09A	5513 020-09			3214 020-207	5680 049-02
R820C-BR16SSYC09A	5513 020-09			3214 020-207	5680 049-02
R820C-BR18SSYC12A	5513 020-17			3214 020-207	5680 049-02
R820D-AR18SSYC09A	5513 020-09			3214 020-258	5680 049-02
R820D-AR18SSYC12A	5513 020-17			3214 020-258	5680 049-02
R820D-BR18SSYC09A	5513 020-09			3214 020-258	5680 049-02
R820D-BR18SSYC12A	5513 020-17			3214 020-258	5680 049-02
R820E-AR22SSYC12A	5513 020-17			3214 020-259	5680 049-02
R820E-BR22SSYC12A	5513 020-17			3214 020-259	5680 049-02
R820F-AR24SSYC12A	5513 020-18	5322 420-02	5512 090-03	3214 020-310	5680 049-02
R820F-BR24SSYC12A	5513 020-18	5322 420-02	5512 090-03	3214 020-311	5680 049-02
R820G-AR24SSYC12A	5513 020-18	5322 420-02	5512 090-03	3214 020-311	5680 049-02
R820G-BR24SSYC12A	5513 020-18	5322 420-02	5512 090-03	3214 020-312	5680 049-02
Ordering code	Accessories				
	6 Key	7 Setting key			
R820B-BR14SSYC09A		3021 012-015			
R820C-AR16SSYC09A		3021 012-015			
R820C-BR16SSYC09A		3021 012-015			
R820C-BR18SSYC12A		3021 012-015			
R820D-AR18SSYC09A		174.1-870			
R820D-AR18SSYC12A		174.1-870			
R820D-BR18SSYC09A		174.1-870			
R820D-BR18SSYC12A		174.1-870			
R820E-AR22SSYC12A		174.1-870			
R820E-BR22SSYC12A		174.1-870			
R820F-AR24SSYC12A	5680 010-06	5680 010-02			
R820F-BR24SSYC12A	5680 010-06	5680 010-02			
R820G-AR24SSYC12A	5680 010-06	5680 010-02			
R820G-BR24SSYC12A	5680 010-06	5680 010-02			

Accessories, must be ordered separately.

Slide

DuoBore™ 821 and DuoBore™ 821D



TSYC: 391.68A, 391.68B, 391.68F..TC

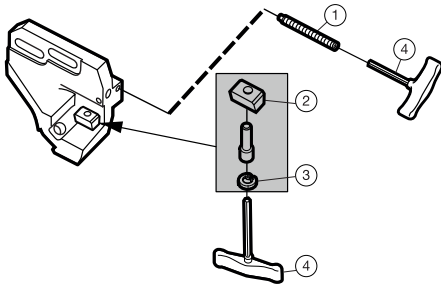
Ordering code	Spare parts			Accessories	
	1 Insert screw	2 Shim	3 Shim screw	4 Key	5 Key
391.68A-1-03213C06B	5513 020-03			5680 051-02	
391.68A-2-03813C06B	5513 020-03			5680 051-02	
391.68A-4-05624T16B	5513 020-10			5680 049-02	
391.68A-5-07026T16B	5513 020-10			5680 049-02	
391.68A-6-08430T16B	5513 020-10			5680 049-02	
391.68A-6-10130T16B	5513 020-01	5322 320-01	5512 090-01	5680 049-02	5680 010-01
391.68A-6-10141T22B	5513 020-07			5680 043-14	
391.68A-7-12540T16B	5513 020-01	5322 320-01	5512 090-01	5680 049-02	5680 010-01
391.68A-7-12540T22B	5513 020-18	5322 320-02	5512 090-03	5680 043-14	3021 010-040
391.68A-7-15040T16B	5513 020-01	5322 320-01	5512 090-01	5680 049-02	5680 010-01
391.68A-7-15040T22B	5513 020-18	5322 320-02	5512 090-03	5680 043-14	3021 010-040
391.68B-1-03213C06B	5513 020-03			5680 051-02	
391.68B-2-03813C06B	5513 020-03			5680 051-02	
391.68B-3-04716C06B	5513 020-03			5680 051-02	
391.68B-4-05624S09B	5513 020-09			5680 049-02	
391.68B-5-07026S09B	5513 020-09			5680 049-02	
391.68B-6-08430S12B	5513 020-17			5680 049-02	
391.68B-6-10141S12B	5513 020-17			5680 049-02	
391.68B-7-12540S12B	5513 020-18	5322 420-02	5512 090-03	5680 049-02	3021 010-040
391.68B-7-15040S12B	5513 020-18	5322 420-02	5512 090-03	5680 049-02	3021 010-040
391.68F-3-04716TC11B	5513 020-03			5680 051-02	

Accessories, must be ordered separately.

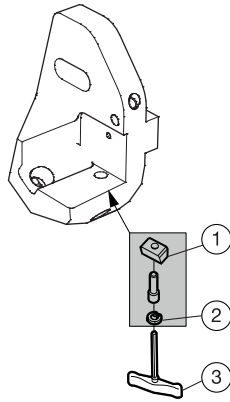
Slide

CoroBore® 820 XL, CoroBore® 825 XL and CoroBore® 826 XL

TSYC: S24-R820XL



TSYC: S17-820XL



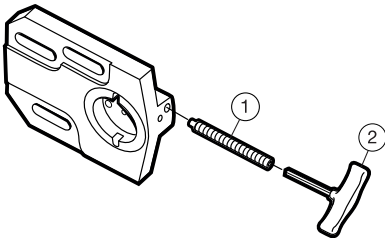
TSYC: S24-R820XL

	Spare parts			Accessories
	1	2	3	4
Ordering code	Screw	Wedge set	Circlip	Key
S24-R820XLS12-012	3214 020-368	5332 070-01	3421 110-009	265.2-817

TSYC: S17-820XL

	Spare parts		Accessories
	1	2	3
Ordering code	Wedge set	Circlip	Key
S17-R820XLS12-012	5332 070-01	3421 110-009	265.2-817

Accessories, must be ordered separately.



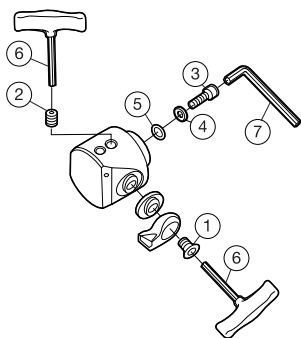
TSYC: Sxx-825XL

	Spare parts		Accessories
	1	2	
Ordering code	Screw	Key	
S24-R825XLA34-012	3214 020-368	265.2-817	

Accessories, must be ordered separately.

Fine boring head

CoroBore® 825 and CoroBore® 826



TSYC: A34

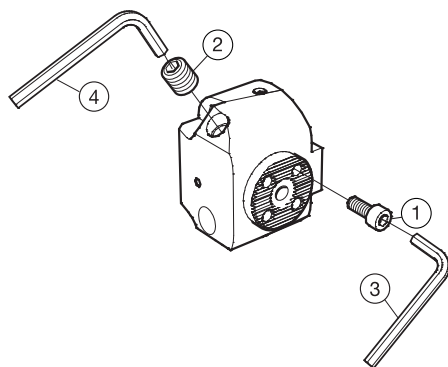
Spare parts					
Ordering code	1	2	3	4	5
A34-R825C-E 017 A	Screw for cartridge 5513 010-08	Locking screw 5519 026-10	Screw 3212 010-360	Washer 3411 010-064	O-ring 3671 010-016
A34-R826C-E 017	5513 010-08	5519 026-10	3212 010-360	3411 010-064	3671 010-016
Accessories					
Ordering code	6	7			
A34-R825C-E 017 A	Key 265.2-821	Key 3021 010-050			
A34-R826C-E 017	265.2-821	3021 010-050			

Accessories, must be ordered separately.

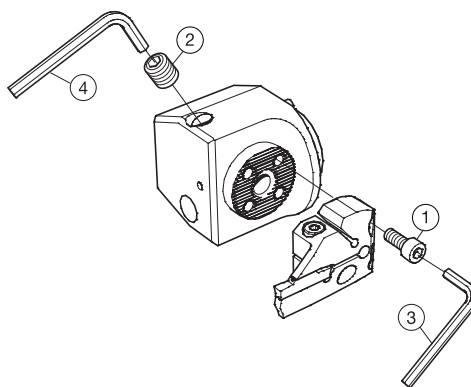
Face grooving head

CoroBore® 825 SL

TSYC: Sxx-R825SL



TSYC: A34-R825SL



TSYC: Sxx-R825SL

Spare parts			Accessories	
Ordering code	1	2	3	4
S20-R825SL32 020	Screw 3212 010-308	Locking screw 5519 026-13	Key 3021 010-040	Key 3021 010-050

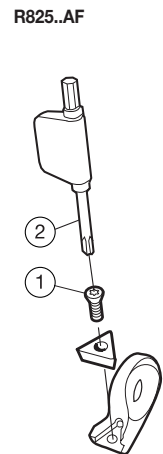
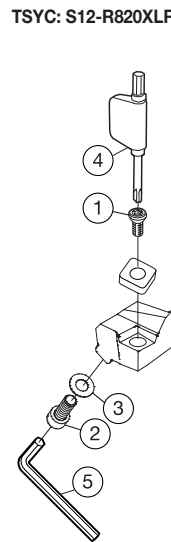
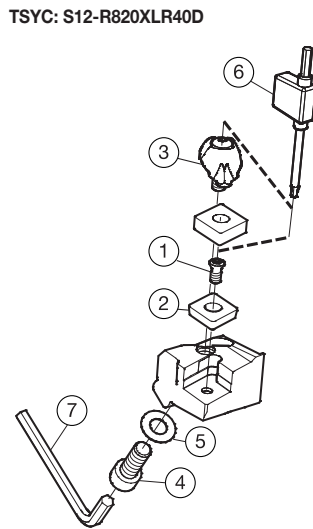
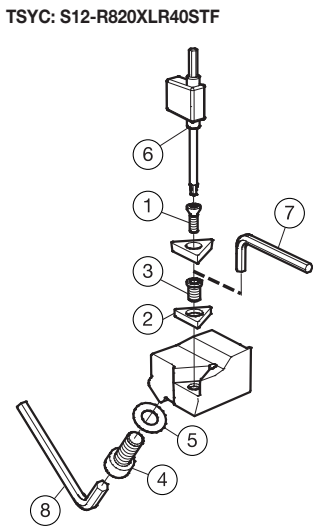
TSYC: A34-R825SL

Spare parts			Accessories	
Ordering code	1	2	3	4
A34-R825SL32 022	Screw 3212 010-308	Pressure screw 5519 026-13	Key 3021 010-040	Key 3021 010-050

Accessories, must be ordered separately.

Cartridge

CoroBore® 820 XL, CoroBore® 825 and CoroBore® 826



TSYC: S12-R820XLR40STF

Spare parts					
Ordering code	1	2	3	4	5
	Insert screw	Shim	Shim screw	Screw	Cup spring
S12-R820XLR40STFC22	5513 020-18	5322 320-02	5512 090-03	3212 010-461	3846 010-069
Accessories					
Ordering code	6	7	8		
	Key	Key	Key		
S12-R820XLR40STFC22	5680 049-02	5680 010-06	3021 010-080		

TSYC: S12-R820XLR40D

Spare parts					
Ordering code	1	2	3	4	5
	Shim screw	Shim	Complete clamp set	Screw	Cup spring
S12-R820XLR40DCFN19	5513 020-07	5322 236-01	5412 028-041	3212 010-461	3846 010-069
S12-R820XLR40DSYN15	5513 020-07	5322 425-03	5412 028-031	3212 010-461	3846 010-069
Accessories					
Ordering code	6	7			
	Key	Key			
S12-R820XLR40DCFN19	5680 043-14	3021 010-080			
S12-R820XLR40DSYN15	5680 043-14	3021 010-080			

TSYC: S12-R820XLR40SSFP

Spare parts			Accessories		
Ordering code	1	2	3	4	5
	Insert screw	Screw	Cup spring	Key	Key
S12-R820XLR40SSFP18	416.1-834	3212 010-461	3846 010-069	5680 049-02	3021 010-080

TSYC: R825..AF

Spare parts		Accessories	
Ordering code	1	2	
	Insert screw	Key	
R825A-AF11STUC06T1A	5513 020-28	5680 051-01	
R825B-AF17STUC0902A	5513 020-05	5680 051-02	
R825C-AF23STUC1103A	5513 020-03	5680 051-02	

Accessories, must be ordered separately.

Keys (mm/Torx Plus) sizes

Ordering code	Key (mm)	Key (Torx Plus)
174.1-870	2	-
265.2-815	2.5	-
265.2-817	3	-
265.2-821	4	-
3021 010-025	2.5	-
3021 010-030	3	-
3021 010-040	4	-
3021 010-050	5	-
3021 010-060	6	-
3021 010-080	8	-
3021 010-100	10	-
3021 010-140	14	-
3021 012-015	1.5	-
5680 010-01	3.5	-
5680 010-02	2.5	-
5680 010-06	4	-
5680 012-02	2	-
5680 043-14	-	20IP
5680 049-02	4	15IP
5680 051-01	-	06IP
5680 051-02	-	07IP