

Turning tools

GENERAL TURNING | PARTING & GROOVING | THREADING | TOOLING SYSTEMS

2012



MULTI-TASK MACHINING

Tooling possibilities H2

Products

Toolholder overview H7

Coromant Capto® multi-functional tools

CoroPlex™ MT - milling and turning tool H4

CoroPlex™ TT - turning tool H9

CoroPlex™ SL mini-turret H14

CoroTurn® HP - Coromant Capto® tools for High Pressure coolant H21

T-Max® P - holders for negative basic-shape inserts H22

CoroTurn® 107 - holders for positive basic-shape inserts H25

Coromant Capto® tools for general turning

CoroTurn® RC - holders for negative basic-shape inserts H15

CoroTurn® 107 - holders for positive basic-shape inserts H17

CoroTurn® TR - Coromant Capto® tools for copy machining

CoroTurn® TR - holders for positive basic-shape inserts H19

Adapters

CoroTurn® SL adapter for cutting heads H26

CoroTurn® SL70 adapter for cutting heads H27

Adapter for shank tool - radial mounting H28

Adapter for shank tool - axial mounting H29

Mini-turret for shank tool - axial mounting H31

Adapter for shank tool - angular mounting H30

Boring bar adapter H37

Multi-Task Machining - tooling possibilities

Coromant Capto® – the connecting link to Multi-Task machining

A tool system for multi-task machines has to transmit satisfactory torque levels, be capable of high spindle speeds, have high bending strength and have high precision couplings for repeatability and accuracy with pre-measurement or when setting outside the machine.

Coromant Capto® has a proven record of fulfilling all the requirements and operational demands in multi-task machines involving stationary and rotating tools. With its broad program of turning, milling and drilling tools, which use the same self-centering tool coupling for a very broad application area, the system has been successfully installed on all types of multi-task machines.



CoroPlex™ – Innovative multi-functional tools

To take full advantage of the more versatile multi-task machine tools and to optimize their efficiency, there is now a demand for running them with dedicated tooling. CoroPlex™ t³)

- accessibility, stability and higher productivity
- reduced tool changing time
- saved tool pocket in tool magazine
- cost reduction - one tool replaces several.

Clamping units for turning

Standard turret heads for lathes can easily be converted to the Coromant Capto® modular quick change system by using standard clamping units. See page G6.

CoroPlex™ TT twin tools – two turning tools in one

The CoroPlex™ TT twin tool is a solution with two turning inserts in one holder, giving the possibility to change operations with just a quick indexing of the tool.

CoroPlex™ MT – one milling and four turning tools in one

CoroPlex™ MT is a combination of two winning concepts in one – CoroMill® 390 and CoroTurn® 107. It is either applied rotating as an effective tool for milling applications – or indexed in a number of optional positions for stationary turning, external and internal, using two different CoroTurn® 107 inserts. See page A9. For ordering CoroMill 390 inserts, see chapter D, Milling.



CoroPlex™ SL mini-turret – four turning tools in one

Build your own multi-functional tool by using a Coromant Capto® tool adapter and applying a CoroPlex™ SL mini-turret adapter plate to be combined with four SL cutting heads and blades for turning, threading or grooving operations. See page G6.

Multi-Task Machining - tooling possibilities

Turning tools

For general turning, the T-Max P system with negative inserts and CoroTurn® 107 with positive inserts form the basis for high productivity turning. In parting and grooving, the first choice is the CoroCut® system, while in threading the first choice is the CoroThread® 266 or T-Max U-Lock® system. See pages A3, B14, .



Milling tools

In the CoroMill® family there is always a milling cutter to fit your needs perfectly. The CoroMill® family is a multi-purpose milling system for use in applications such as face, shoulder, slot and profile milling. See chapter D, Milling.

Holemaking tools

The drilling and boring program, CoroDrill® and CoroBore®, offers a wide range of high performance holemaking products. Regardless of the hole style – we can offer you the right tool for the best productivity in a wide diameter range. See chapter E, Drilling and Boring.



Tool holders and tool adapters

Modern machines and tools put greater demands on toolholders. Low runout is required to achieve long tool life. Hydro-Grip® meets all the demands on a toolholder. Different types of tool adapters are available to help in building a correct tool length. See chapter G, Tooling systems in this catalog and Tooling systems in the main catalog for milling and drilling tools.

Accessories

Sandvik Coromant offers a range of accessory tools for the various coupling sizes, which are strongly recommended for setting important parameters such as spindle orientation, clamping forces, etc. See chapter G, Tooling systems in this catalog and Tooling systems in the main catalog for milling and drilling tools.

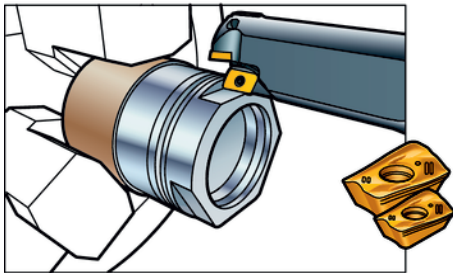


CoroPlex™ MT

Multi-functional milling and turning tool

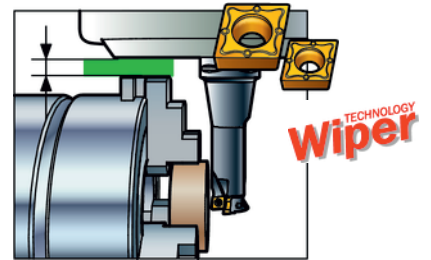
Many optimized tools in one solution dedicated for multi-task machining.

... as a CoroMill® 390 cutter

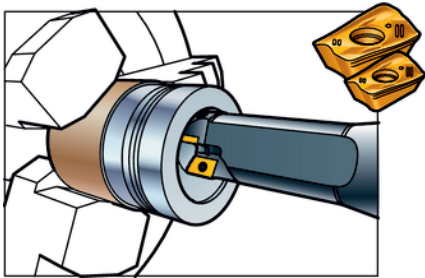
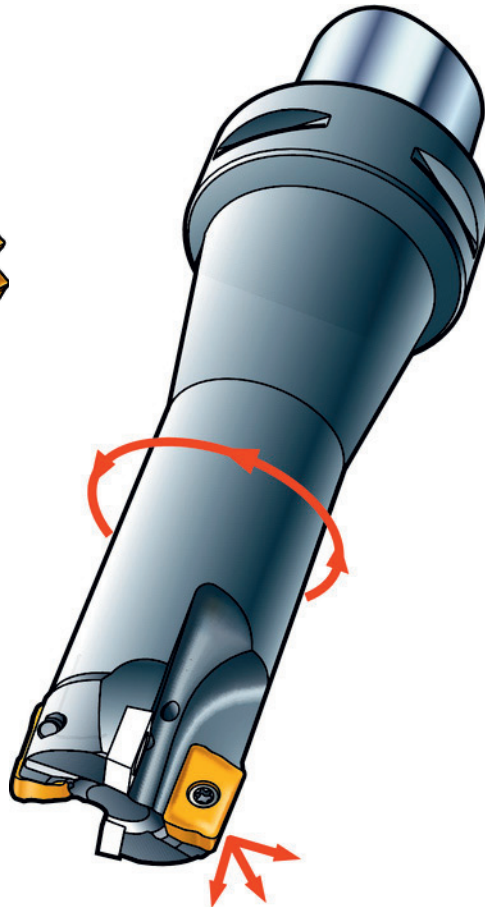


Shoulder milling

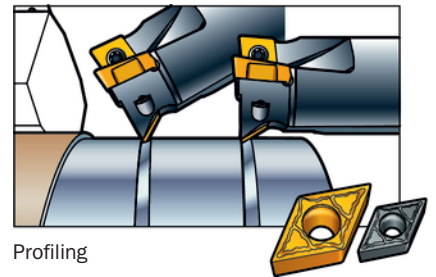
...as a CoroTurn® 107 tool



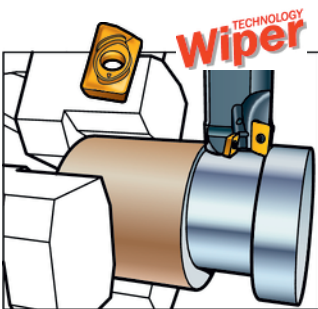
Face and longitudinal turning



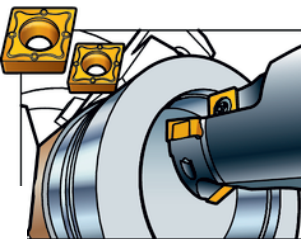
Circular interpolation in helix



Profiling



Turn-milling



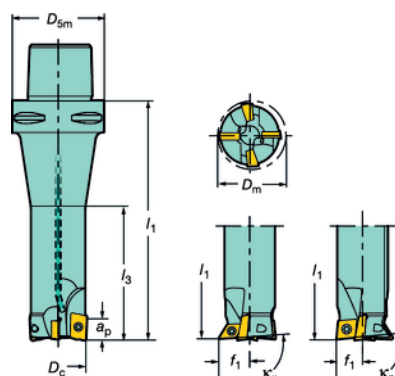
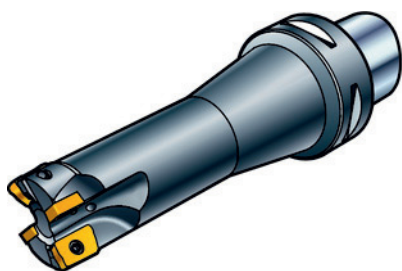
Internal turning

ISO application areas:



Multi-functional tools CoroPlex™ MT

for milling and turning in Multi-Task machines



Coolant inlet: Axial through the center

Entering angle:
Lead angle:

$K_r = 93^\circ$
 -3°

$K_r = 95^\circ$
 -5°

Insert size		Coupling size	D_c mm inch	Ordering code	z_n	Dimensions, mm, inch								Gauge insert		
	iC					D_m min	D_{5m}	l_1	l_3	f_1	a_p	$\gamma^{(1)}$	$\lambda_s^{(2)}$	ISO	ANSI	$n_{max}^{(3)}$
11	-	C5	32 1.260	M-32C5-39011C09D07	2	-	50	130	78.5	-	10	-	-	R390-11	12000	1.0
-	09	3/8			1	35	50	129.3	77.8	15.4	-	0°	-5°	CCMT 09 T3 08	-	
-	07	1/4			1	35	50	128.9	77.4	15.4	-	0°	-5°	CCMT 3 (2.5) 2	-	
						1.378	1.969	5.075	3.063	.606				DCMT 07 02 04	-	
						1.378	1.969	5.075	3.047	.606				DCMT 2 (1.5) 1	-	
11	-	C6	32 1.260	M-32C6-39011C09D07	2	-	63	165	78.5	-	10	-	-	R390-11	12000	1.7
-	09	3/8			1	35	63	164.3	77.8	15.4	-	0°	-5°	CCMT 09 T3 08	-	
-	07	1/4			1	35	63	163.9	77.4	15.4	-	0°	-5°	CCMT 3 (2.5)	-	
						1.378	2.480	6.469	3.063	.606				DCMT 07 02 04	-	
						1.378	2.480	6.453	3.047	.606				DCMT 2 (1.5) 1	-	
18	-	C6	40 1.575	M-40C6-39018C12D11	2	-	63	165	90.1	-	10	-	-	R390-18	10000	1.7
-	12	1/2			1	43	63	164.4	89.5	19.0	-	0°	-5°	CCMT 12 04 08	-	
-	11	3/8			1	43	63	163.9	89.0	19.2	-	0°	-5°	CCMT 432	-	
						1.693	2.480	6.472	3.524	.748				DCMT 11 T3 04	-	
						1.693	2.480	6.453	3.504	.756				DCMT 3 (2.5) 1	-	
18	-	C8	40 1.575	M-40C8-39018C12D11	2	-	80	200	90.1	-	10	-	-	R390-18	10000	3.3
-	12	1/2			1	43	80	199.4	89.5	19.0	-	0°	-5°	CCMT 12 04 08	-	
-	11	3/8			1	43	80	198.9	89.0	19.2	-	0°	-5°	CCMT 432	-	
						1.693	3.150	7.850	3.524	.748				DCMT 11 T3 04	-	
						1.693	3.150	7.831	3.504	.756				DCMT 3 (2.5) 1	-	

1) γ = Rake angle (valid with flat insert).

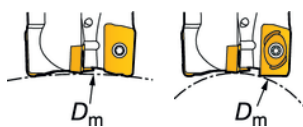
2) λ_s = Angle of inclination.

3) n_{max} (max. rev/min) for holders must also be considered.

Limitation on workpiece diameter

When turning axially and using the CCMT insert, it may happen that the R390 inserts, because of their position in the tool, limit the workpiece diameter. See illustration below.

For ordering CoroMill 390 inserts, see chapter D, Milling.



TECHNOLOGY
Wiper

Tool diameter,
 D_c mm (inch)

Max workpiece diameter, D_m mm (inch)

Insert type

	R390-11	R390-18	Wiper R390-11
32 (1.260)	150 (5.906)	-	100 (3.937)
40 (1.575)	-	380 (14.960)	-

.CMT



A45



H5

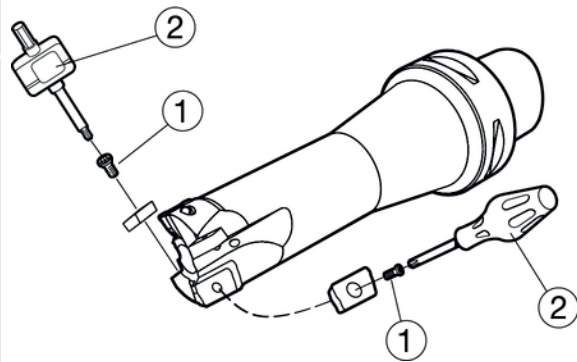


G6



J2

Multi-functional tools CoroPlex™ MT

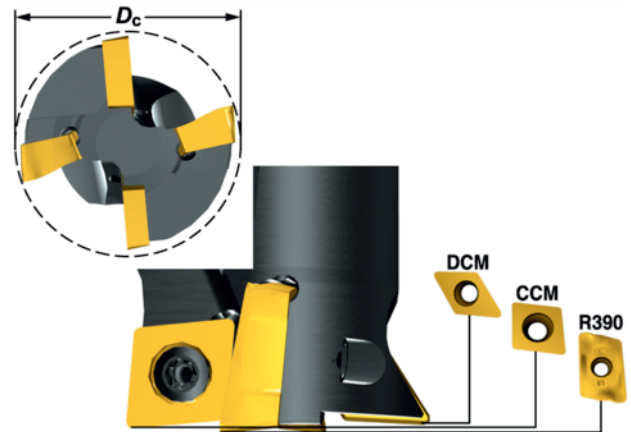


Spare parts

Insert		Torque value			
		1	2		
Type/size	ANSI-code	Insert screw	Key (Torx Plus)	Nm	ft-lbs
CCMT 09 ...	CCMT 3 (2.5) ...	5513 020-09	5680 046-02 (15IP)	3.0	2.2
CCMT 12 ...	CCMT 43 ...	5513 020-07	5680 046-06 (20IP)	6.4	4.7
DCMT 07 ...	DCMT 2 (1.5) ...	5513 020-03	5680 046-03 (7IP)	0.9	0.7
DCMT 11 ...	DCMT 3 (2.5) ...	5513 020-09	5680 046-02 (15IP)	3.0	2.2
R390-11 ...	R390-11 ...	5513 020-35	5680 046-01 (8IP)	1.2	0.9
R390-18 ...	R390-18 ...	5513 020-29	5680 046-02 (15IP)	3.0	2.2

One tool for both rotating and stationary use

The CoroMill® 390 inserts are positioned a little ahead of the CoroTurn® inserts – axially as well as radially – to guarantee that turning inserts are not in cut when the tool is applied for rotating. This means that turning of an available blind hole – using the CoroTurn® function of the tool – must be stopped before the CoroMill® 390 inserts get in contact with the bottom face.



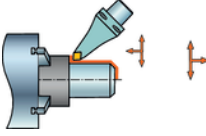
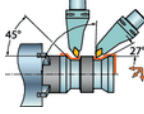
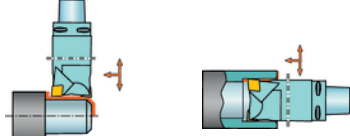



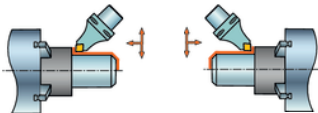
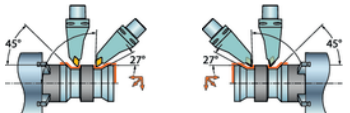
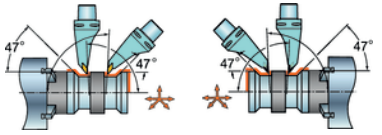



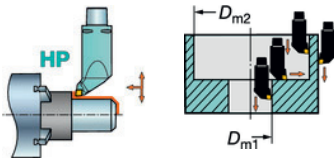
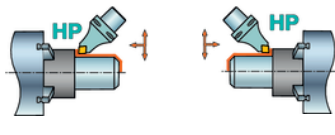
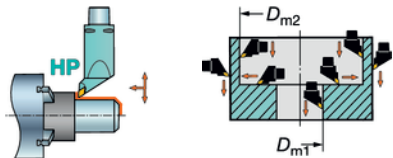



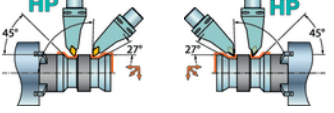
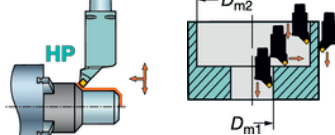


Tool length optimized for accessibility in multi-tasking

The tool bodies are extended by 65 mm (2.560 inch) compared with corresponding conventional tools to allow freer use of the working positions possible in multi-task machining with no need for extensions.

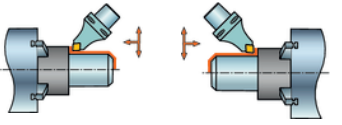
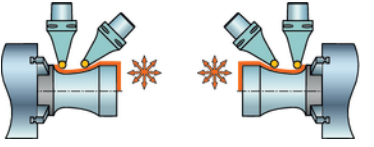
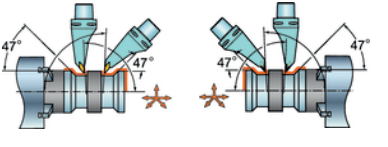
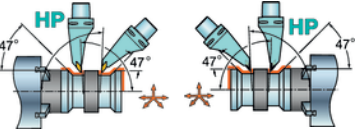
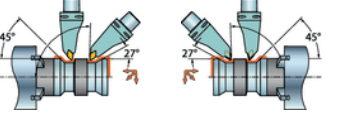
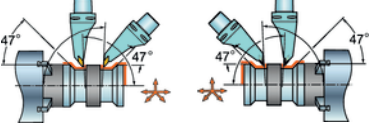
The length and design of the tool bodies are optimized by each Coromant Capto® size to provide best accessibility relative to the most common chuck sizes. Tools are designed with all inserts positioned on the center line of the tool, making them easy to use with the standard program cycles in the machine tools.



Coromant Capto® cutting units for Multi-Task machining

CoroPlex™ TT Twin tool, rigid clamp design	Entering angle (Lead angle) 95° (-5°)		93° (-3°) 	95° (-5°) 
				
	T-DCMxxDDMxx	T-DCMxxDDMxx	T-DCL.xxDCLxx	
	Insert size, mm (I/C, inch) C5-C10	12-19 (1/2-3/4)	15 (1/2)	12-16 (1/2-5/8)
Coromant Capto® size	C5-C10	C5-C10	C5-C8	
Page	H11	H11	H12	
CoroTurn® RC rigid clamp design	Entering angle (Lead angle) 95° (-5°)		93° (-3°) 	95° (-5°) 
				
	DCMNN	DDNML	DVMNL	
	Insert size, mm (I/C, inch) C5-C8	12-16 (1/2-5/8)	15 (1/2)	16 (3/8)
Coromant Capto® size	C5-C8	C5-C8	C8	
Page	H15	H16	H16	
CoroTurn® HP lever design (T-Max P)	Entering angle (Lead angle) 95° (-5°)		50° (40°) 	93° (-3°) 
				
	PCLNR/L	PCMNN	PDJNR/L	
	Insert size, mm (I/C, inch) C6	12 (1/2)	12-19 (1/2-3/4)	15 (1/2)
Coromant Capto® size	C6	C4-C10	C6	
Page	H22	H22	H23	
CoroTurn® HP lever design (T-Max P)	Entering angle (Lead angle) 93° (-3°)		45° (45°) 	
				
	PDMNR/L	PSSNR/L		
	Insert size, mm (I/C, inch) C6	15 (1/2)	12 (1/2)	
Coromant Capto® size	C6	C6		
Page	H23	H24		

Coromant Capto® cutting units for Multi-Task machining

<p>CoroTurn® 107 screw clamp design</p>	<p>Entering angle (Lead angle) 95° (-5°)</p>  <p>80°</p> <p>SCMCN</p>	<p>-</p>  <p>SRDCN</p>	<p>95° (-5°)</p>  <p>35°</p> <p>SVMBL</p>
<p>Insert size, mm (I/C, inch)</p>	<p>12 (1/2)</p>	<p>10-16 (.394-.630)</p>	<p>16 (3/8)</p>
<p>Coromant Capto® size</p>	<p>C6</p>	<p>C6</p>	<p>C5-C6</p>
<p>Page</p>	<p>H17</p>	<p>H17</p>	<p>H18</p>
<p>CoroTurn® HP screw design (CoroTurn® 107)</p>	<p>Entering angle (Lead angle) 50° (40°)</p>  <p>35°</p> <p>SVMBR/L</p>		
<p>Insert size, mm (I/C, inch)</p>	<p>16 (3/8)</p>		
<p>Coromant Capto® size</p>	<p>C6</p>		
<p>Page</p>	<p>H25</p>		
<p>CoroTurn® TR screw clamp design</p>	<p>Entering angle (Lead angle) 93° (-3°)</p>  <p>55°</p> <p>D13MCL</p>	<p>95° (-5°)</p>  <p>35°</p> <p>V13MBL</p>	
<p>Insert size, mm (inch)</p>	<p>13</p>	<p>13</p>	
<p>Coromant Capto® size</p>	<p>C5-C6</p>	<p>C5-C6</p>	
<p>Page</p>	<p>H19</p>	<p>H20</p>	

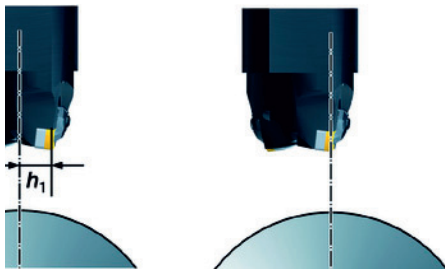
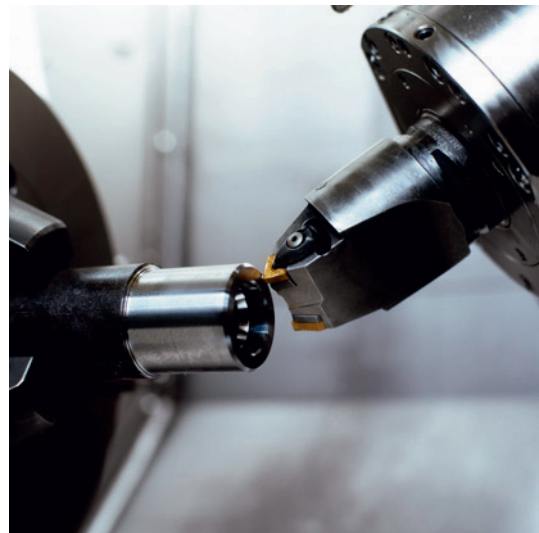
CoroPlex™ TT

Multi-functional turning tool

Two turning tools in one dedicated for multi-task machining.

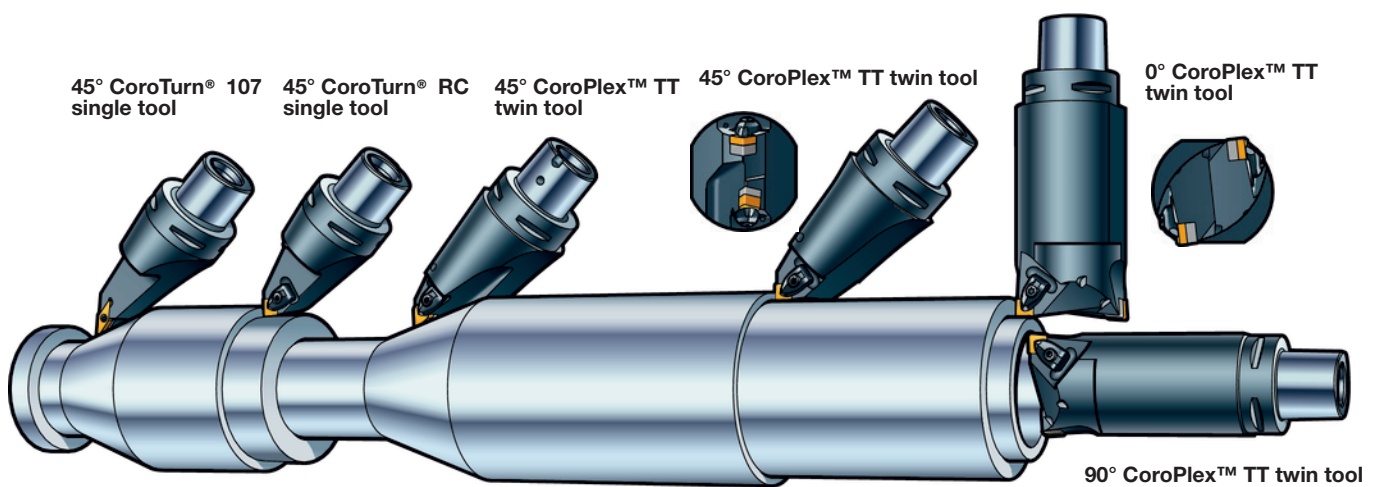
CoroPlex™ TT twin tool combines two tool holders in one:

- Reduce tool changing time
- Save tool pockets in the tool magazine
- Flexible tool holders with optimized length, stability and coolant solution for multi-task machines
- CoroTurn® RC insert clamping system with wide flexibility
- One holder replaces two - cost reduction.



To apply the twin tool, move the Y-axis the distance h_1 , so that the insert will cut on the center line of the workpiece. When working against a sub-spindle, the Y-axis must be offset in the opposite direction in relation to the main spindle.

Flexibility with Multi-Task machining




Code key for CoroPlex™ TT twin tools

C6	-	T	-	D	C	M	12	D	D	M	15	L	130
1		2		3	4	5	6	7	8	9	10	11	12

1 Coupling size mm, inch

C = Coromant Capto®
 D_{5m} = Coupling size




C3	$D_{5m} = 32$ (1.260)
C4	$D_{5m} = 40$ (1.575)
C5	$D_{5m} = 50$ (1.969)
C6	$D_{5m} = 63$ (2.480)
C8	$D_{5m} = 80$ (3.150)

Coromant Capto®


2 Type of tool
 T = Twin tool


3 and 7 Clamping system

D 


Top and hole clamping (RC)
 CoroTurn® RC


4 and 8 Insert shape

C 

D 


5 and 9 Holder style

L  95°
 (-5°)

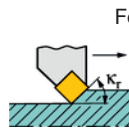
M  50°
 (40°)

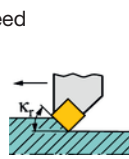
Entering angle (Lead angle)

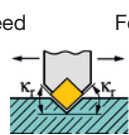
6 and 10 Insert size



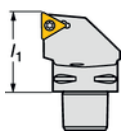
11 Hand of tool

R  Feed

L  Feed

N  Feed Feed

12 Tool length, l_1



Multi-functional tools - CoroPlex™ TT twin tool

CoroTurn® RC rigid clamp design

Side of tool/type of insert

Entering angle:
Lead angle

DCM

κ_r 50° (95°)
-5°

Cx-T-DCMxxDDMxx

DDM

κ_r 48° (93°)
-3°



CNMM, CNGP

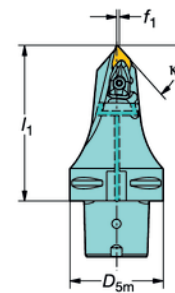
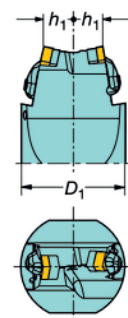
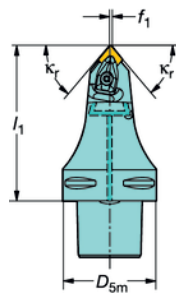
DNMM, DNGP, DNMX

CNMG

DNMG

CNMA, CNGA

DNMA, DNGA



Coolant inlet: Axial through the center

Left hand style shown

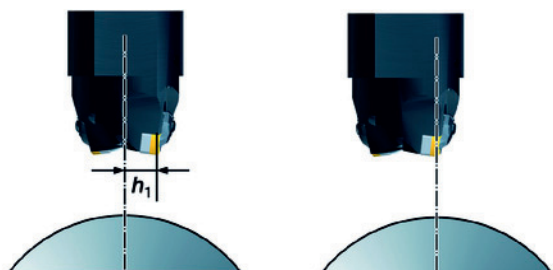
Main application		iC		iC	Ordering code	Dimensions, mm, inch							Gauge inserts					
						D _{5m}	D ₁	f ₁	h ₁	l ₁	γ ¹⁾	λ _s ²⁾		ISO	ANSI	Nm ³⁾		
		1/2		1/2	C5-T-DCM12DDM15L115	50	70	0.5	20	115	-6°	-6°	1.8	CNMG 12 04 08	CNMG 432	3.9		
						1.968	2.756	.020	.787	4.528						DNMG 15 06 08	DNMG 442	
					C6-T-DCM12DDM15L105	63	70	0.5	20	105	-6°	-6°	1.8	CNMG 12 04 08	CNMG 432	3.9		
		5/8		1/2	C6-T-DCM12DDM15L130	63	70	0.5	20	130	-6°	-6°	2.5	CNMG 12 04 08	CNMG 432	3.9		
						2.480	2.756	.020	.787	5.118						DNMG 15 06 08	DNMG 442	
					C8-T-DCM16DDM15L160	80	80	0.5	24	160	-6°	-6°	4.7	CNMG 16 06 12	CNMG 543	6.4		
		3/4		1/2	C10-T-DCM19DDM15L180	100	80	0.5	24	180	-6°	-6°	6.2	CNMG 19 06 12	CNMG 643	6.4		
						3.937	3.150	.020	.945	7.087						DNMG 15 06 08	DNMG 442	3.9

1) γ = Rake angle (valid with flat insert).

2) λ_s = Angle of inclination.

3) Insert tightening torque, Nm.

L = Left hand



To apply the twin tool, move the Y-axis the distance h₁, so that the insert will cut on the center line of the workpiece.

For information about alternative use, see page H9

Main spare parts

Insert size				Main spare parts					
		iC	iC	Shim	Shim screw	Key (Torx Plus)	Complete clamp set ⁴⁾	Key (Torx Plus)	
		1/2	1/2	5322 234-01	5513 020-02	5680 049-01 (15IP)	5412 028-021	5680 049-01 (15IP)	
				5322 266-02	5513 020-02	5680 049-01 (15IP)	5412 028-021	5680 049-01 (15IP)	
		5/8	1/2	5322 234-03	5513 020-07	5680 043-14 (20IP)	5412 028-031	5680 043-14 (20IP)	
				5322 236-01	5322 020-07	5680 043-14 (20IP)	5412 028-041	5680 043-14 (20IP)	

4) To modify CoroTurn® RC holders for other inserts, see clamp sets on page A445.



Multi-functional tools - CoroPlex™ TT twin tool

CoroTurn® RC rigid clamp design

Side of tool/type of insert

Cx-T-DCL.xxDCLEXx

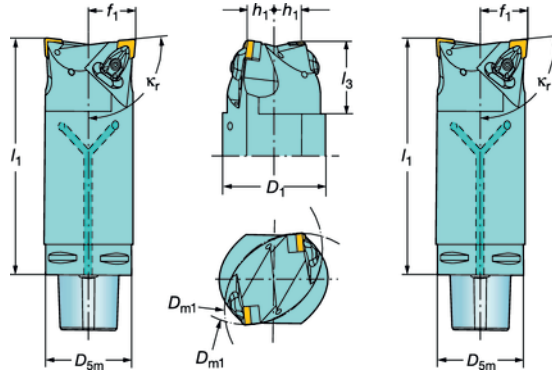
Entering angle:
Lead angle:

DCL...
 $\kappa_r 95^\circ$
-5°

DCL...
 $\kappa_r 95^\circ$
-5°



- CNMM, CNGP
- CNMG
- CNMA, CNGA



Coolant inlet: Axial through the center

Left hand style shown

Main application	□ iC	Ordering code	Dimensions, mm, inch										Gauge inserts		Nm ³⁾	
			D _{5m}	D _{m1} min	D ₁	f ₁	h ₁	l ₁	l ₃	γ ¹⁾	λ _s ²⁾	σ _{ISO}	ISO	ANSI		
	12	1/2	C5-T-DCL12DCL12L130	50	110	69	26.0	20	130	50	-6°	-6°	2.7	CNMG 12 04 08	CNMG 432	3.9
				1.968	4.331	2.716	1.024	.787	5.118	1.968						
	16	5/8	C6-T-DCL12DCL12L165	63	110	75	33.0	20	165	50	-6°	-6°	4.7	CNMG 12 04 08	CNMG 432	3.9
				2.480	4.331	2.953	1.299	.787	6.496	1.968						
16	5/8	C8-T-DCL16DCL16L200	80	115	80	33.0	20	200	50	-6°	-6°	7.0	CNMG 16 06 12	CNMG 543	6.4	
			3.150	4.528	3.150	1.299	.787	7.874	1.968							

- 1) γ = Rake angle (valid with flat insert).
- 2) λ_s = Angle of inclination.
- 3) Insert tightening torque, Nm.

L = Left hand

Main spare parts

Insert size		Main spare parts				
□ iC		Shim	Shim screw	Key (Torx Plus)	Complete clamp set	Key (Torx Plus)
12	1/2	5322 234-01	5513 020-02	5680 049-01 (15IP)	5412 028-021 ⁴⁾	5680 049-01 (15IP)
16	5/8	5322 234-03	5513 020-07	5680 043-14 (20IP)	5412 028-031 ⁴⁾	5680 043-14 (20IP)

⁴⁾ To modify CoroTurn® RC holders for other inserts, see clamp sets on page A445.



A9



H13



G6



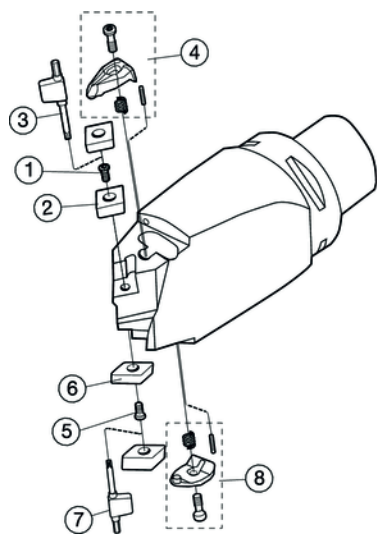
A2





J2

Spare parts

CoroPlex™ TT with CoroTurn® RC rigid clamp design



	1	2		3	4	4 ¹⁾²⁾	4 ¹⁾²⁾
							
Twin tool	Shim screw	Shim	For insert thickness mm (inch).	Key (Torx Plus)	Complete clamp set	Clamp sets for ceramic inserts without hole.	Clamp sets for ceramic inserts with hole.
C5-T-DCL12DCL12L130	5513 020-02	5322 234-01	4.76 (.187)	5680 049-01 (15IP)	5412 028-021	5412 034-021	5412 032-021
C6-T-DCL12DCL12L165		5322 234-02 ²⁾	7.94 (.313)				
C8-T-DCL16DCL16L200	5513 020-07	5322 234-03	6.35 (.250)	5680 043-14 (20IP)	5412 028-031	5412 034-031	5412 032-031
		5322 234-04 ²⁾	7.94 (.313)				
C5-T-DCM12DDM15L115	5513 020-02	5322 234-01	4.76 (.187)	5680 049-01 (15IP)	5412 028-021	5412 034-021	5412 032-021
C6-T-DCM12DDM15L105		5322 234-02 ²⁾	7.94 (.313)				
C6-T-DCM12DDM15L130							
C8-T-DCM16DDM15L150	5513 020-07	5322 234-03	6.35 (.250)	5680 043-14 (20IP)	5412 028-031	5412 034-031	5412 032-031
		5322 234-04 ²⁾	7.94 (.313)				
C10-T-DCM19DDM15L180	5513 020-07	5322 236-01	6.35 (.250)	5680 043-14 (20IP)	5412 028-041	5412 034-041	5412 032-041
	5	6		7	8	8 ¹⁾²⁾	8 ¹⁾²⁾
							
Twin tool	Shim screw	Shim	For insert thickness mm (inch).	Key (Torx Plus)	Complete clamp set	Clamp sets for ceramic inserts without hole.	Clamp sets for ceramic inserts with hole.
C5-T-DCL12DCL12L130	5513 020-02	5322 234-01	4.76 (.187)	5680 049-01 (15IP)	5412 028-021	5412 034-021	5412 032-021
C6-T-DCL12DCL12L165		5322 234-02 ²⁾	7.94 (.313)				
C8-T-DCL16DCL16L200	5513 020-07	5322 234-03	4.76 (.187)	5680 043-14 (20IP)	5412 028-031	5412 034-031	5412 032-031
		5322 234-04 ²⁾	7.94 (.313)				
C5-T-DCM12DDM15L115	5513 020-02	5322 266-02	6.35 (.250)	5680 049-01 (15IP)	5412 028-021	5412 034-021	5412 032-021
C6-T-DCM12DDM15L105		5322 266-01 ²⁾	4.76 (.187)				
C6-T-DCM12DDM15L130							
C8-T-DCM16DDM15L150	5513 020-02	5322 266-02	6.35 (.250)	5680 049-01 (15IP)	5412 028-021	5412 034-021	5412 032-021
		5322 266-01 ²⁾	4.76 (.187)				
C10-T-DCM19DDM15L180	5513 020-02	5322 266-02	6.35 (.250)	5680 049-01 (15IP)	5412 028-021	5412 034-021	5412 032-021
		5322 266-01 ²⁾	4.76 (.187)				

1) For clamp set parts, see page A445.

2) Optional part delivered to separate order.

A
B
C
G
H
J

TURN - USA

MULTI-TASK MACHINING Coromant Capto® cutting units

CoroPlex™ SL mini-turret for cutting heads and blades with serrated coupling

Axial mounting of heads and blades

Coupling size		Dimensions, millimeter, inch (mm, in.)							
dm_t mm	Ordering code	D_{21} mm	D_{21} in.	dm_m mm	dm_m in.	l_1 mm	l_1 in.	ρ_{KG}	
25	570-4-25-40-000-AX	50	1.968	40	1.575	12	0.472	0.3	
32	570-4-32-40-000-AX	58	2.284	40	1.575	15	0.591	0.6	

5° radial mounting of heads and blades

Coupling size		Dimensions, millimeter, inch (mm, in.)										
dm_t mm	Ordering code	b_{21} mm	b_{21} in.	b_{22} mm	b_{22} in.	dm_m mm	dm_m in.	l_{21} mm	l_{21} in.	l_{22} mm	l_{22} in.	ρ_{KG}
25	570-4-25-40-050-RA	46	1.811	48.5	1.909	40	1.575	28	1.102	15	0.591	0.4
32	570-4-32-40-050-RA	46	1.811	49.2	1.939	40	1.575	34.5	1.358	18	0.709	0.5

Spare parts

	1	2	3	4	5
	Screw	Key (mm)	O-ring	Coolant tube	Screw
570-4-25-40-000-AX	3212 010-257	174.1-864 (3.0)	-	5638 031-01	3212 010-358
570-4-32-40-000-AX	3212 010-307	3021 010-040 (4.0)	3671 010-113	5638 031-01	3212 010-358
570-4-25-40-050-RA	3212 010-257	174.1-864 (3.0)	-	5638 031-01	3212 010-358
570-4-32-40-050-RA	3212 010-307	3021 010-040 (4.0)	3671 010-113	5638 031-01	3212 010-358

H 14

Coromant Capto® cutting units

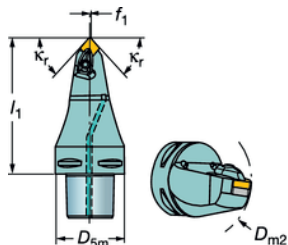
CoroTurn® RC rigid clamp design

Entering angle: **DCMNN**
 $\kappa_r 50^\circ (95^\circ)$

Lead angle: -5°



CNMM, CNGP
 CNMG
 CNMA, CNGA



Coolant inlet: Axial through the center

Neutral style

Main application	$\frac{\square}{\square}$	iC	Ordering code	Dimensions, millimeter, inch (mm, in.)										Gauge inserts			
				D_{5m} mm	D_{5m} in.	D_{m2} min mm.4)	D_{m2} min in.4)	f_1 mm	f_1 in.	l_1 mm	l_1 in.	$\gamma^1)$	$\lambda_s^2)$	$\frac{\square}{\square}$	ISO	ANSI	Nm ³⁾
	12	1/2	C5-DCMNN-00105-12	50	1.969	110	4.331	0	0	105	4.134	-6°	-6°	1.1	CNMG 12 04 08	CNMG 432	3.9
			C6-DCMNN-00090-12	63	2.480	110	4.331	0	0	90	3.543	-6°	-6°	1.4	CNMG 12 04 08	CNMG 432	3.9
	16	5/8	C6-DCMNN-00090-16	63	2.480	110	4.331	0	0	90	3.543	-6°	-6°	1.3	CNMG 16 06 12	CNMG 543	6.4
			C8-DCMNN-00150-16	80	3.150	115	4.528	0	0	150	5.906	-6°	-6°	4.0	CNMG 16 06 12	CNMG 543	6.4

1) γ = Rake angle (valid with flat insert).

2) λ_s = Angle of inclination.

3) Insert tightening torque, Nm.

4) Valid in combination with clamping unit R/LC2090.

N = Neutral

Main spare parts

Insert size		Shim			Key (Torx Plus)		Complete clamp set	
$\frac{\square}{\square}$	iC	Shim	Shim screw	Key (Torx Plus)		Complete clamp set	Key (Torx Plus)	
12	1/2	5322 234-01	5513 020-02	5680 049-01 (15IP)		5412 028-021 ⁵⁾	5680 049-01 (15IP)	
16	5/8	5322 234-03	5513 020-07	5680 043-14 (20IP)		5412 028-031 ⁵⁾	5680 043-14 (20IP)	

5) To modify CoroTurn® RC holders for other inserts, see clamp sets on page A445.

Coromant Capto® coupling size	Coolant nozzle
C5	5691 029-09
C6	5691 029-10
C8	5691 029-10



A9



A439



G6



A2



J2

Coromant Capto® cutting units

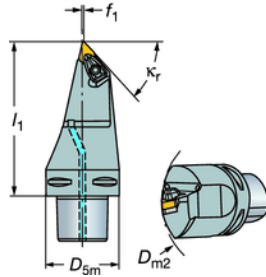
CoroTurn® RC rigid clamp design

DDMNL
 Entering angle: $\kappa_r 48^\circ (93^\circ)$
 Lead angle: -3°

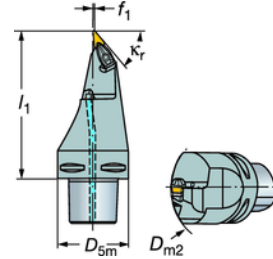
DVMNL
 Entering angle: $\kappa_r 50^\circ (95^\circ)$
 Lead angle: -5°



DNMM, DNGP, DNMX
 DNMG
 DNMA, DNGA



VNMG
 VNGP



B

C

Coolant inlet: Axial through the center

Left hand style

G

Main application		iC	Ordering code	Dimensions, millimeter, inch (mm, in.)										Gauge inserts			
				D _{5m} mm	D _{5m} in.	D _{m2} min mm. ⁴⁾	D _{m2} min in. ⁴⁾	f ₁ mm	f ₁ in.	l ₁ mm	l ₁ in.	γ ¹⁾	λ _s ²⁾		ISO	ANSI	Nm ³⁾
	15	1/2	C5-DDMNL-00115-15	50	1.968	110	4.331	0	0	115	4.528	-5°	-6°	1.2	DNMG 15 06 08	DNMG 442	3.9
			C6-DDMNL-00130-15	63	2.480	110	4.331	0	0	130	5.118	-5°	-6°	2.0	DNMG 15 06 08	DNMG 442	3.9
			C6-DDMNL-00130-1504	63	2.480	110	4.331	0	0	130	5.118	-5°	-6°	2.0	DNMG 15 04 08	DNMG 432	3.9
			C6-DDMNL-33120-15	63	2.480	130	5.118	33	1.299	120	4.724	-5°	-6°	2.1	DNMG 15 06 08	DNMG 442	3.9
			C6-DDMNL-33120-1504	63	2.480	130	5.118	33	1.299	120	4.724	-5°	-6°	2.1	DNMG 15 04 08	DNMG 432	3.9
			C8-DDMNL-00160-15	80	3.150	120	4.724	0	0	160	6.299	-5°	-6°	4.1	DNMG 15 06 08	DNMG 442	3.9
C8-DDMNL-00160-1504	80	3.150	120	4.724	0	0	160	6.299	-5°	-6°	4.1	DNMG 15 04 08	DNMG 432	3.9			

H

Main application		iC	Ordering code	Dimensions, millimeter, inch (mm, in.)										Gauge inserts			
				D _{5m} mm	D _{5m} in.	D _{m2} min mm. ⁴⁾	D _{m2} min in. ⁴⁾	f ₁ mm	f ₁ in.	l ₁ mm	l ₁ in.	γ ¹⁾	λ _s ²⁾		ISO	ANSI	Nm ³⁾
	16	3/8	C8-DVMNL-00160-16	80	3.150	110	4.331	0	0	160	6.299	-4°	-14°	4.0	VNMG 16 04 08	VNMG 332	3.0

1) γ = Rake angle (valid with flat insert).

2) λ_s = Angle of inclination.

3) Insert tightening torque, Nm.

4) Valid in combination with clamping unit R/LC2090.

L = Left hand

Main spare parts

Insert size			Coromant Capto® size				Complete clamp set		Key (Torx Plus)
	iC	iC	Shim screw	Shim	Key (Torx Plus)	Complete clamp set	Key (Torx Plus)		
1506 (DNMG 44)	1/2	C5-C8	5513 020-02	5322 266-02	5680 049-01 (15IP)	5412 028-021 ⁵⁾	5680 049-01 (15IP)		
1504 (DNMG 43)	1/2	C6, C8	5513 020-02	5322 266-01	5680 049-01 (15IP)	5412 028-021 ⁵⁾			
	16	3/8	C8	5513 020-09	5322 269-01	5680 049-01 (15IP)	5412 028-061	5680 049-01 (15IP)	

5) To modify CoroTurn® RC holders for other inserts, see clamp sets on page A445.

J

Coromant Capto® coupling size	Coolant nozzle
C5	5691 029-09
C6	5691 029-10
C8	5691 029-10



A9



A439



G6



A2



J2

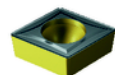
Coromant Capto® cutting units

CoroTurn® 107 screw clamp design

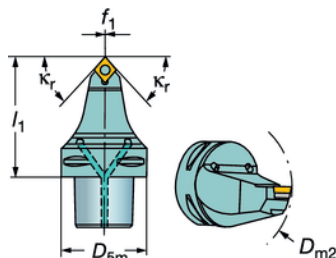
Entering angle: $\kappa_r 50^\circ (95^\circ)$

Lead angle: 40°

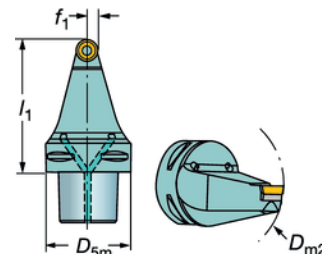
SRDCN



CCMT, CCGT
CCGX, CCET
CCMW



RCMT
RCGX-AL



Coolant inlet: Radial through the taper

Neutral style

Main application		iC	Ordering code	Dimensions, millimeter, inch (mm, in.)											Gauge inserts		Nm ³⁾
				D _{5m} mm	D _{5m} in.	D _{m2} min mm. ⁴⁾	D _{m2} min in. ⁴⁾	f ₁ mm	f ₁ in.	l ₁ mm	l ₁ in.	γ ¹⁾	λ _s ²⁾		ISO	ANSI	
	12	1/2	C6-SCMCN-00090-12	63	2.480	100	3.937	0	0	90	3.543	0°	0°	1.4	CCMT 12 04 08	CCMT 432	3.0

Main application		iC	Ordering code	Dimensions, millimeter, inch (mm, in.)											Gauge inserts		Nm ³⁾
				D _{5m} mm	D _{5m} in.	D _{m2} min mm. ⁴⁾	D _{m2} min in. ⁴⁾	f ₁ mm	f ₁ in.	l ₁ mm	l ₁ in.	γ ¹⁾	λ _s ²⁾		ISO	ANSI	
	10	.39	C6-SRDCN-00100-10	63	2.480	110	4.331	5	.197	100	3.937	0°	0°	1.4	RCMT 10 T3 M0	RCMT 10 T3 M0	3.0
	16	.63	C6-SRDCN-00100-16	63	2.480	110	4.331	8	.315	100	3.937	0°	0°	1.4	RCMT 16 06 M0	RCMT 16 06 M0	6.4

1) γ = Rake angle (valid with flat insert).

2) λ_s = Angle of inclination.

3) Insert tightening torque, Nm.

4) Valid in combination with clamping unit R/LC2090.

N = Neutral

Main spare parts

Insert size		iC		Insert screw		Key (Torx Plus)		Shim		Shim screw		Key (Torx Plus)		Coolant tube	
		12	10	1/2	.394	5513 020-18	5680 049-01 (15IP)	5322 232-02	5512 090-03	5680 049-01 (15IP)	5691 045-01				
			16		.630	5513 020-26	5680 043-14 (20IP)	5322 110-03	5512 090-06	5680 043-14 (20IP)	5691 045-01				



A9



A464



G6



A2



J2

Coromant Capto® cutting units

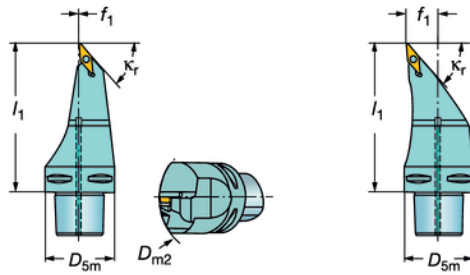
CoroTurn® 107 screw clamp design

Entering angle:
Lead angle:

SVMBL
 $\kappa_r 50^\circ (95^\circ)$
 40°



- VBMT, VBGT
- VCGX, VCEX,
- VCGT, VCET
- VBMT, VCMW



Coolant inlet: Radial through the taper

C6-SVMBL-33120-16

Left hand style

Main application	iC	Ordering code	Dimensions, millimeter, inch (mm, in.)											Gauge inserts			
			D_{5m} mm	D_{5m} in.	D_{m2} min mm.4)	D_{m2} min in.4)	f_1 mm	f_1 in.	l_1 mm	l_1 in.	$\gamma^1)$	$\lambda_s^2)$	σ_{K10}	ISO	ANSI	Nm ³⁾	
	16	3/8	C5-SVMBL-00115-16	50	1.968	110	4.331	0	0	115	4.528	0°	0°	1.0	VBMT 16 04 08	VBMT 332	3.0
			C6-SVMBL-00130-16	63	2.480	110	4.331	0	0	130	5.118	0°	0°	1.8	VBMT 16 04 08	VBMT 332	3.0
			C6-SVMBL-33120-16	63	2.480	110	4.331	33	1.299	120	4.724	0°	0°	1.9	VBMT 16 04 08	VBMT 332	3.0

1) γ = Rake angle (valid with flat insert).

2) λ_s = Angle of inclination.

3) Insert tightening torque, Nm.

4) Valid in combination with clamping unit R/LC2090.

L = Left hand

Main spare parts

Insert size	Insert screw	Key (Torx Plus)	Shim	Shim screw	Key (Torx Plus)
16 3/8	5513 020-01	5680 049-01 (15IP)	5322 270-01	5512 090-01	5680 049-01 (15IP)



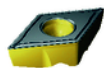
Coromant Capto® cutting units

CoroTurn® TR screw clamp design

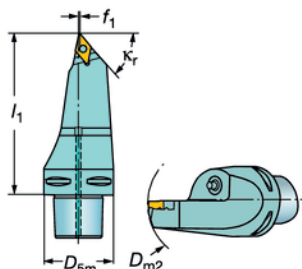
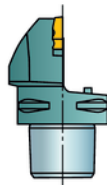
Entering angle:
Lead angle:

TR-Cx-D13MCL

κ_r 48° (93°)
40°



TR-DC



Coolant inlet: Axial through the center

Left hand style shown

Main application	Ordering code	Dimensions, millimeter, inch (mm, in.)										Gauge inserts			
		D_{5m} mm	D_{5m} in.	D_{m2} min mm. ⁴⁾	D_{m2} min in. ⁴⁾	f_1 mm	f_1 in.	l_1 mm	l_1 in.	$\gamma^1)$	$\lambda_s^2)$	κ_r	ISO	ANSI	Nm ³⁾
	13 TR-C5-D13MCL-00115	50	1.968	150	5.906	0	0	115	4.528	0°	0°	0.8	TR-DC1308	TR-DC1308	3.0
	TR-C6-D13MCL-00130	63	2.480	150	5.906	0	0	130	5.118	0°	0°	1.6	TR-DC1308	TR-DC1308	3.0

1) γ = Rake angle (valid with flat insert).

2) λ_s = Angle of inclination.

3) Insert tightening torque, Nm.

4) Valid in combination with clamping unit R/LC2090.

L = Left hand

For more information about CoroTurn TR system, see chapter A page A189

Main spare parts

Insert size	Insert screw	Key (Torx Plus)	Torque wrench	Coolant nozzle
13	5513 020-01	5680 049-01 (15IP)	5680 100-06	5691 029-02



A9



A464



G6



A2



J2

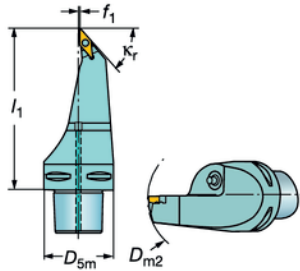
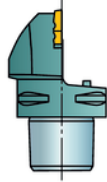
Coromant Capto® cutting units

CoroTurn® TR screw clamp design

Entering angle:
Lead angle:

TR-Cx-V13MBL

κ_r 50°
40°



Coolant inlet: Axial through the center

Left hand style shown

Main application	Ordering code	Dimensions, millimeter, inch (mm, in.)										Gauge inserts			
		D_{5m} mm	D_{5m} in.	D_{m2} min mm. ⁴⁾	D_{m2} min in. ⁴⁾	f_1 mm	f_1 in.	l_1 mm	l_1 in.	$\gamma^1)$	$\lambda_s^{2)}$	R_{a3}	ISO	ANSI	Nm ³⁾
	13 TR-C5-V13MBL-00115	50	1.968	150	5.906	0	0	115	4.528	0°	0°	0.8	TR-VB1308	TR-VB1308	2.0
	TR-C6-V13MBL-00130	63	2.480	150	5.906	0	0	130	5.118	0°	0°	1.6	TR-VB1308	TR-VB1308	2.0

1) γ = Rake angle (valid with flat insert).

2) λ_s = Angle of inclination.

3) Insert tightening torque, Nm.

4) Valid in combination with clamping unit R/LC2090.

L = Left hand

For more information about CoroTurn TR system, see chapter A page A189

Main spare parts

Insert size	Insert screw	Key (Torx Plus)	Torque wrench
13	5513 020-64	5680 049-04 (10IP)	5680 100-05



CoroTurn® HP

Coromant Capto tools for High Pressure coolant

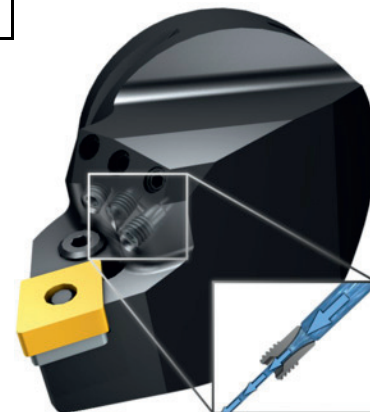
Increased cutting speed for rough to medium machining
Chip control in finishing - secure unmanned production

When to use

Any turning machine where both high pressure coolant and Coromant Capto® coupling are available:

- Multi-task machines
- Vertical turning lathes (VTL)
- Turning centers

The characteristic reduced depth of cut and reduced feed rate in finishing operations always leads to challenges for chip control. In automated production, be it high volume mass production or machines with automatic tool changing (multi-task and vertical turning lathes), any chips gathering around the tool will result in costly machine stoppages. This new technology will provide you with total chip control, giving security in unmanned production.



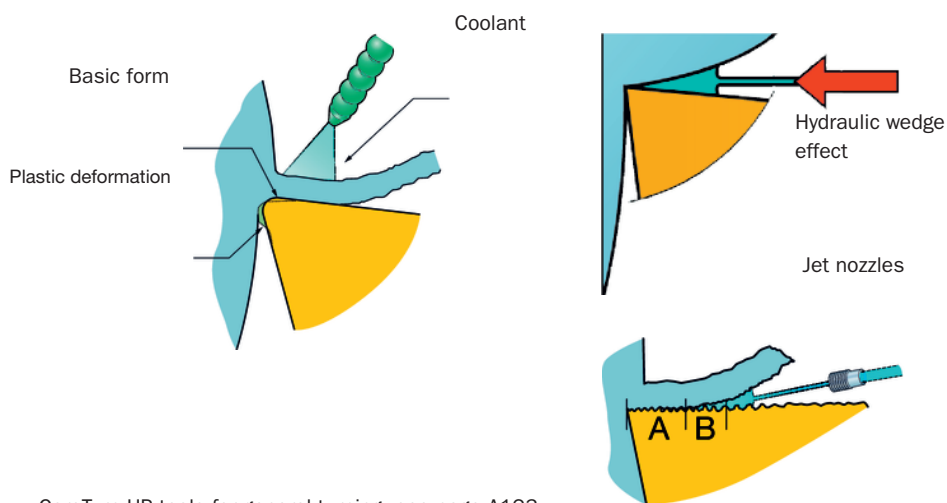
Fixed coolant nozzle technology

The high pressure coolant application with CoroTurn HP utilizes carefully developed nozzle technology based on decades of experience. Optimized nozzles give parallel laminar jets of coolant with high velocity accurately directed at the right place on the insert. The precision and character of these jets makes the difference. CoroTurn HP has fixed, pre-directed, high precision nozzles mounted on the tool targeting the right place, at the right angle on the cutting edge. No setting with trials is needed; performance and security is built-in with only normal tool maintenance required.

A directional jet for maximum effect

The principle of turning with high pressure coolant is to accurately position the jet of coolant through small, sighted nozzles (dia .039 inch) to give a parallel laminar flow. This high velocity jet of coolant creates a hydraulic wedge between the top surface of the insert and the underside of the chip being removed from the component. The coolant jet has three main effects:

1. To provide localized cooling of the insert in the contact zone (A)
2. To force the chip away from the insert face quickly, reducing wear on the insert (B)
3. To help break the chip into smaller pieces and evacuate it from the cutting area



CoroTurn HP tools for general turning, see page A123.

CoroTurn HP with SL coupling, see page I12.

CoroTurn® HP cutting units

Lever design

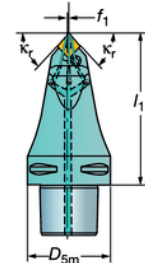
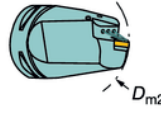
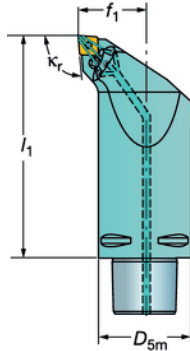
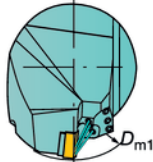
With high pressure coolant

Entering angle: **Cx-PCLNR/L-HP**
 $\kappa_r 95^\circ$
 Lead angle: -5°

Entering angle: **Cx-PCMNN-HP**
 $\kappa_r 50^\circ (95^\circ)$
 Lead angle: -5°



- CNMM, CNGP
- CNMG
- CNMA, CNGA



Coolant inlet: Axial through the center

Neutral

Right hand style shown

Main application	□	iC	Ordering code	Dimensions, mm, inch							Gauge inserts		
				D_{5m}	D_{m1} min ⁴⁾	f_1	l_1	$\gamma^1)$	$\lambda_s^2)$	$\frac{M}{da}$	ISO	ANSI	Nm ³⁾
	12	1/2	C6-PCLNR/L-45165-12HP	63	110	45.0	165.0	-6°	-6°	3.5	CNMG 12 04 08	CNMG 432	5.0
				2.480	4.331	1.772	6.496						

Main application	□	iC	Ordering code	Dimensions, mm, inch							Gauge inserts		
				D_{5m}	D_{m2} min ⁴⁾	f_1	l_1	$\gamma^1)$	$\lambda_s^2)$	$\frac{M}{da}$	ISO	ANSI	Nm ³⁾
	12	1/2	C4-PCMNN-00095-12HP	40	185	0.0	95.0	-6°	-6°	0.7	CNMG 12 04 08	CNMG 432	5.0
				1.575	7.284	.000	3.740						
				50	220	0.0	115.0	-6°	-6°	1.3			
				1.968	8.661	.000	4.528						
				63	240	0.0	115.0	-6°	-6°	1.8			
				2.480	9.449	.000	4.528						
19	3/4	C10-PCMNN-00110-19HP	100	315	0.0	110.0	-6°	-6°	4.9	CNMG 19 06 12	CNMG 643	5.0	
			3.937	12.402	.000	4.331							

- 1) γ = Rake angle (valid with flat insert). N = Neutral, R = Right hand, L = Left hand
 2) λ_s = Angle of inclination.
 3) Insert tightening torque, Nm.
 4) Valid in combination with clamping unit R/LC2090.

Main spare parts

Insert size							
□	iC	Lever	Screw	Key (mm)	Shim	Nozzle (hole dia mm.)	Plug
12	1/2	174.3-841M	174.3-821	174.1-864 (3.0)	171.31-850M	5691 026-03 (1.0)	3214 010-253
19	3/4	174.3-842M	174.3-822M	3021 010-040 (4.0)	171.35-851M	5691 034-03 (3.5) ¹⁾	

1) When changing nozzle use key 5680 019-01 and bits 5680 021-04

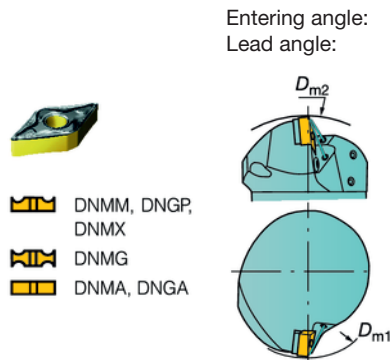
For optional nozzles, see page A465



CoroTurn® HP cutting units

Lever design

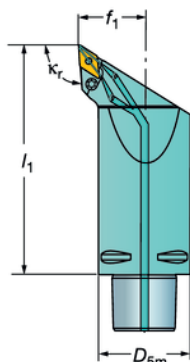
With high pressure coolant



Entering angle:
Lead angle:

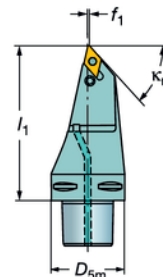
Cx-PDJNR/L-HP

κ_r 93°
-3°



Cx-PDMNR/L-15HP

κ_r 48° (93°)
42° (-3°)



Left hand style shown

Coolant inlet: Axial through the center

Right hand style shown

Main application		iC	Ordering code	Dimensions, mm, inch							Gauge inserts			
				D_{5m}	D_{m1} min	D_{m2} min	f_1	I_1	$\gamma^{(1)}$	$\lambda_s^{(2)}$	$\frac{R}{K}$	ISO	ANSI	Nm ⁽³⁾
	15	1/2	C6-PDJNR/L-45165-15HP	63	95	290.0	45.0	165.0	-6°	-7°	3.5	DNMG 15 06 08	DNMG 442	5.0
				2.480	3.740	11.417	1.772	6.496						

Main application		iC	Ordering code	Dimensions, mm, inch							Gauge inserts		
				D_{5m}	f_1	I_1	$\gamma^{(1)}$	$\lambda_s^{(2)}$	$\frac{R}{K}$	ISO	ANSI	Nm ⁽³⁾	
	15	1/2	C6-PDMNR/L-00130-15HP	63	0.6	130.0	-5°	-15°	2.0	DNMG 15 06 08	DNMG 442	5.0	
				2.480	.022	5.118							

1) γ = Rake angle (valid with flat insert).

2) λ_s = Angle of inclination.

3) Insert tightening torque, Nm.

R = Right hand, L = Left hand

Main spare parts

Insert size						
	iC	Lever	Screw	Key (mm)	Shim	Nozzle (hole dia mm.)
15	1/2	174.3-847M	174.3-830	174.1-864 (3.0)	171.35-851M	5691 026-03 (1.0)

For optional nozzles, see page A465



A

CoroTurn® HP cutting units

Lever design

With high pressure coolant

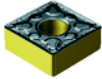
B

Entering angle:

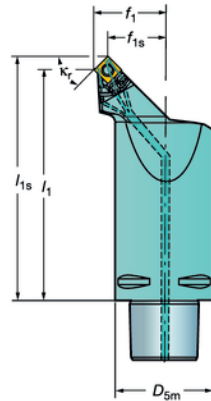
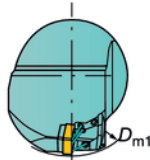
Cx-PSSNR/L-HP $\kappa_r 45^\circ$

Lead angle:

45°



- SNMM
- SNMG
- SNMA, SNGA



C

Coolant inlet: Axial through the center

Right hand style shown

G

Main application	□	iC	Ordering code	Dimensions, mm, inch								Gauge inserts			
				D _{5m}	D _{m1} min ⁴⁾	f ₁	f _{1s}	l ₁	l _{1s}	γ ¹⁾	λ _s ²⁾		ISO	ANSI	Nm ³⁾
	12	1/2	C6-PSSNR/L-45156-12HP	63	110	45.0	36.7	156	164.3	-8°	0°	3.38	SNMG 12 04 08	SNMG 432	5.0
				2.480	4.331	1.772	1.445	6.142	6.468						

1) γ = Rake angle (valid with flat insert).2) λ_s = Angle of inclination.

3) Insert tightening torque, Nm.

4) Valid in combination with clamping unit R/LC2090.

R = Right hand, L = Left hand

H

Main spare parts

Insert size						
□	iC	Lever	Screw	Key (mm)	Shim	Nozzle (hole dia mm.)
12	1/2	174.3-841M	174.3-821	174.1-864 (3.0)	174.3-851M	5691 026-03 (1.0)

For optional nozzles, see page A465

I

J



CoroTurn® HP cutting units

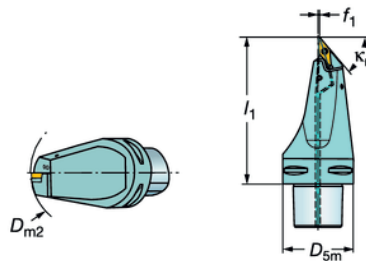
Screw clamp design

With high pressure coolant

Entering angle: **Cx-SVMBR/L-HP**
 κ_r 50°
 Lead angle: 40°



VBMT, VBGT
 VCGX, VCEX,
 VCGT, VCET
 VBMW, VCMW



Coolant inlet: Axial through the center

Right hand style shown

Main application		iC	Ordering code	Dimensions, mm, inch							Gauge inserts		
				D_{5m}	D_{m2} min ⁴⁾	f_1	I_1	$\gamma^1)$	$\lambda_s^2)$	σ_{AG}	ISO	ANSI	Nm ³⁾
	16	3/8	C6-SVMBR/L-00130-16HP	63	145	0	130	0°	0°	1.84	VBMT 16 04 08	VBMT 332	3
				2.480	5.709	.000	5.118						

1) γ = Rake angle (valid with flat insert).

2) λ_s = Angle of inclination.

3) Insert tightening torque, Nm.

4) Valid in combination with clamping unit R/LC2090.

R = Right hand, L = Left hand

Main spare parts

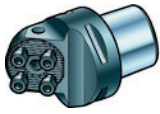
Insert size							
	iC	Insert screw (thread)	Key (Torx Plus)	Shim	Shim screw	Key (mm)	Nozzle (hole dia mm.)
16	3/8	5513 020-01 (M3.5)	5680 049-01 (15IP)	5322 270-01	5512 090-01	5680 049-01 (3.5)	5691 026-03 (1.0)

For optional nozzles, see page A467

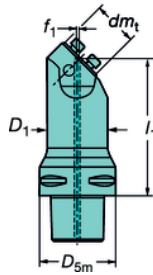


CoroTurn® SL

Coromant Capto® adapter



Coromant Capto® 45°



Cx-570-..RX-045-L1

Coolant inlet: Axial through the center

Right hand style shown

Coupling size		Shank style	Dimensions, millimeter, inch (mm, in.)								
dm_t mm	Ordering code		D_1 mm	D_1 in.	D_{5m} mm	D_{5m} in.	f_1 mm	f_1 in.	l_1 mm	l_1 in.	$\frac{\phi}{R6}$
32	C5-570-32-RX-045-L1	45°	40	1.575	50	1.968	2	0.079	90	3.543	1.1
32	C6-570-32-RX-045-L1		45	1.772	63	2.480	2	0.079	100	3.937	1.7
40	C6-570-40-RX-045-L1		45	1.772	63	2.480	2	0.079	100	3.937	1.8
40	C8-570-40-RX-045-L1		50	1.969	80	3.150	5	0.197	135	5.315	3.7

R = Right hand, L = Left hand

Main spare parts

Coromant Capto®	Screw	Key (mm)	Plug
Cx-570-32-RX-045-L1	3212 010-308	3021 010-040 (4.0)	5643 045-01
Cx-570-40-RX-045-L1	3212 010-358	3021 010-050 (5.0)	5643 045-01

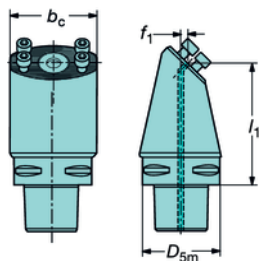
For complete assortment see page I70.



CoroTurn® SL70

Coromant Capto® adapter



Coromant Capto® 45°



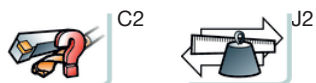
Coolant inlet: Axial through the center

With internal coolant supply

Right hand style shown

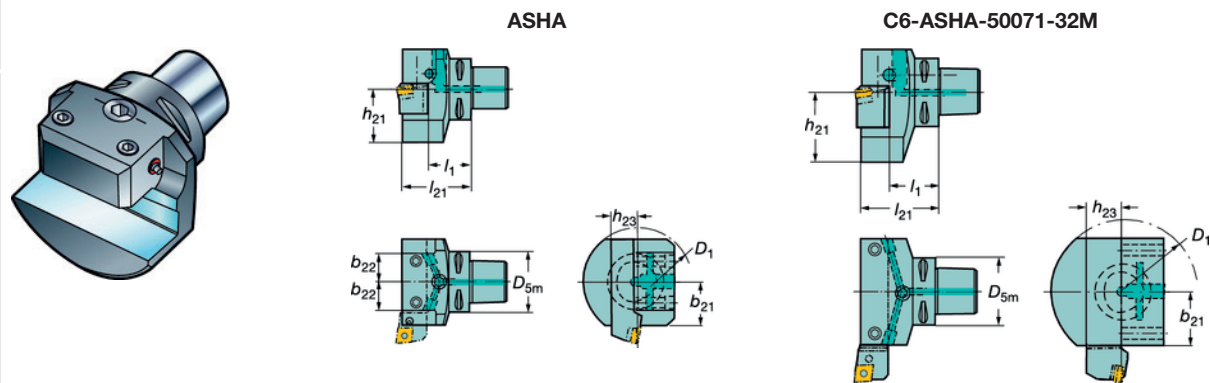
Type	Ordering code	Shank style	Coupling size, mm	Dimensions, mm, inch			
				D_{5m}	f_1	l_1	
	C6-SL70-RX-045-100	45°	70	63	5	100	2.7
				2.480	.197	3.937	2.7

For complete assortment see page I106.



Adapters for shank tools

Radial mounting



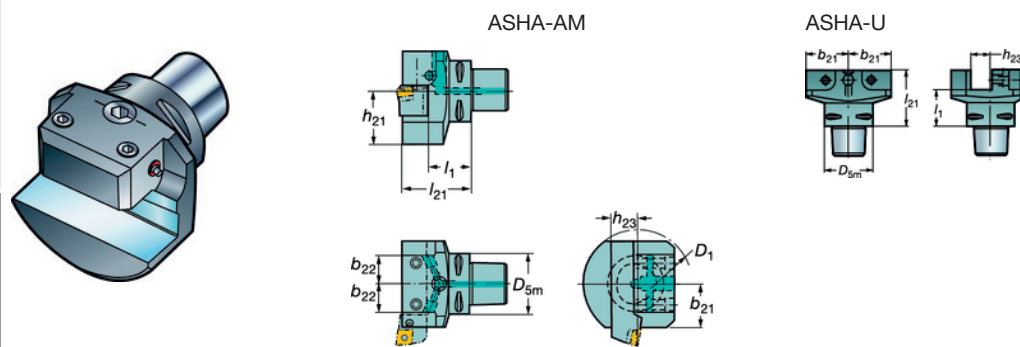
Coolant inlet: Axial through the center

Metric version

Neutral style shown

Coupling size	Ordering code	Dimensions								
		D_1	D_{5m}	b_{21}	b_{22}	h_{21}	h_{23}	l_1	l_{21}	$\frac{kg}{kg}$
C3	C3-ASHA-25040-12	60	32	25	20	25	12	28	40	0.4
C4	C4-ASHA-25046-16	70	40	25	20	32	16	30	46	0.6
C5	C5-ASHA-38058-20M	90	50	38	23	45	20	38	58	1.4
C6	C6-ASHA-38060-20M	90	63	38	23	45	20	40	60	1.7
	C6-ASHA-45071-25M	110	63	45	30	55	25	45	71	2.6
C8	C6-ASHA-50071-32M	130	63	50	40	65	32	45	71	3.2
	C8-ASHA-45085-25	110	80	45	30	55	25	60	85	4.0
C10	C8-ASHA-55085-32M	142	80	55	40	65	32	53	85	4.6
	C10-ASHA-55090-32	145	100	55	40	65	32	58	90	5.7

Radial mounting



Coolant inlet: Axial through the center

Inch version

Neutral style shown

Coupling size	Ordering code	Dimensions, inch								
		D_1	D_{5m}	b_{21}	b_{22}	h_{21}	h_{23}	l_1	l_{21}	$\frac{lbs}{kg}$
C4	C4-ASHA-25046-10U		1.575	.984			.625	1.180	1.810	2.20
C5	C5-ASHA-30055-12U		1.968	1.181	.581		.750	1.380	2.150	2.93
	C5-ASHA-38057-12-AM	3.543	1.968	1.496	.906	1.772	.750	1.457	2.244	3.02
C6	C6-ASHA-38059-12-AM	3.543	2.480	1.496	.906	1.772	.750	1.575	2.323	3.75
	C6-ASHA-38066-12U	5.118	2.480	1.496	.591		.750	1.580	2.340	5.11
C8	C6-ASHA-45071-16-A	4.331	2.480	1.772	1.181	2.165	1.000	1.795	2.795	5.65
	C8-ASHA-55085-20-AM	5.591	3.150	2.165	1.575	2.559	1.250	2.087	3.337	10.14

Warning!

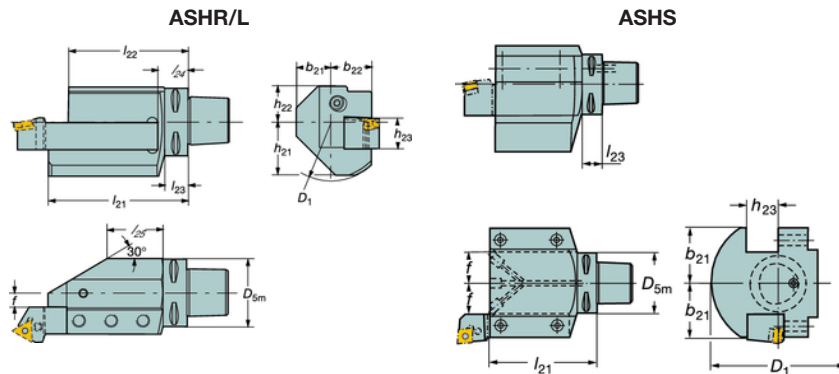
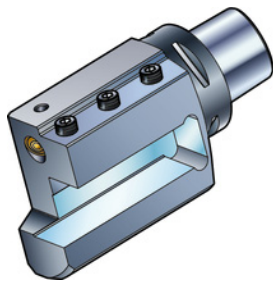
The adapters are designed for automatic tool change.

Make sure that there is no risk of interference in the magazine and tool changing cycle.



Adapters for shank tools

Axial mounting



Coolant inlet: Axial through the center

Metric version

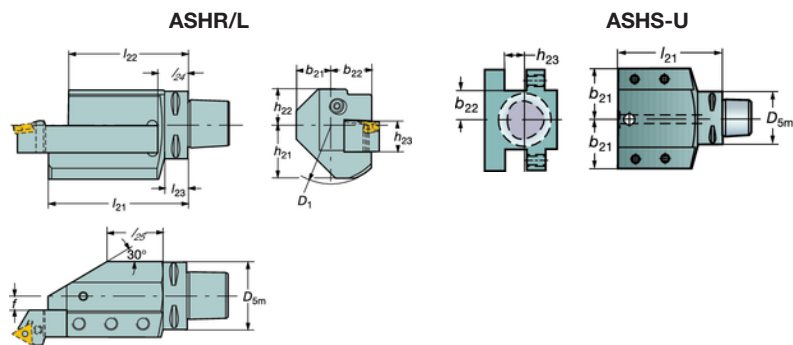
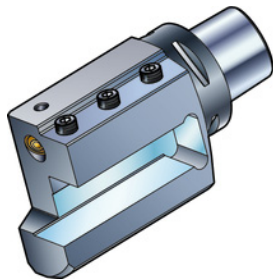
Right hand style

Neutral style

Coupling size	Ordering code	Dimensions													
		D_1	D_{5m}	b_{21}	b_{22}	f	h_{21}	h_{22}	h_{23}	l_{21}	l_{22}	l_{23}	l_{24}	$\frac{1}{100}$	
C3	C3-ASHR/L-18085-12	48	32	16.5	18	6			12		85	80	15	18	0.5
C4	C4-ASHR/L-23104-16	65	40	20.5	23	7			16		104	99	20	24	1.0
C5	C5-ASHR/L-30098-20	90	50	29	30	10	41	33	20		98	88	20	23	2.5
C6	C6-ASHR/L-30100-20	90	63	29	30	10	41	33	20		100	90	22	25	2.5
	C6-ASHR/L-38130-25	110	63	32	38	13	50	33	25		130	112	22	28	3.4
C8	C8-ASHR/L-40140-32	110	80	40	40	8	55	30	32		140	130	30	35	5.1
C10	C10-ASHR/L-50150-32	145	100	50	50	18	65	30			150	136	37	41	8.7
C6	C6-ASHS-58115-32	140	63	58		33			32		115		22		7.3
C8	C8-ASHS-73160-32	165	80		73	41			32		160		30	30	13.1

R = Right hand, L = Left hand

Axial mounting



Coolant inlet: Axial through the center

Inch version

Right hand style

Neutral style

Coupling size	Ordering code	Dimensions, inch													
		D_1	D_{5m}	b_{21}	b_{22}	f	h_{21}	h_{22}	h_{23}	l_{21}	l_{22}	l_{23}	l_{24}	$\frac{1}{100}$	
C5	C5-ASHR/L-30098-12-A	3.543	1.968	1.142	1.181	.431	1.614	1.299	.750		3.858	3.465	.787	.906	4.67
C6	C6-ASHR/L-30100-12-A	3.543	2.480	1.142	1.181	.431	1.614	1.299	.750		3.937	3.543	.866	.984	5.29
	C6-ASHR/L-38130-16-A	4.331	2.480	1.260	1.496	.496	1.968	1.299	1.000		5.118	4.409	.866	1.102	7.50
C8	C8-ASHR/L-40140-20-A	4.331	3.150	1.575	1.575	.325	2.165	1.181	1.250		5.512	5.118	1.181	1.378	11.84
C5	C5-ASHS-47088-12U		1.968	1.831	1.060				.750		3.465				6.83
C6	C6-ASHS-54090-12U		2.480	2.106	1.340				.750		3.543				2.20

R = Right hand, L = Left hand



A
B
C
G
H
I
J

TURN - USA

MULTI-TASK MACHINING

Coromant Capto® adapters

Adapters for shank tools

Angular mounting

Normal use is a left hand cutting tool in a right hand adapter

Coolant inlet: Axial through the center

Metric version

Right hand style shown

Coupling size	Ordering code	Dimensions							
		D_1	D_{5m}	b_{21}	f	h_{21}	h_{22}	l_{21}	$\frac{\sigma}{\mu}$
C5	C5-ASHR/L45-36097-20	72	50	30.6	15	20	26	97	1.7
C6	C6-ASHR/L45-36099-20	72	63	31.5	15	20	28	99	2.2
C8	C8-ASHR/L45-50135-32	140	80	45	17	32	40	135	6.5

Inch version

Coupling size	Ordering code	Dimensions, inch							
		D_1	D_{5m}	b_{21}	f	h_{21}	h_{22}	l_{21}	$\frac{\sigma}{\mu}$
C5	C5-ASHR/L45-36097-12-A	2.835	1.968	1.205	.618	.750	1.024	3.791	3.75
C6	C6-ASHR/L45-36099-12-A	2.835	2.480	1.224	.618	.750	1.102	3.870	4.83
C8	C8-ASHR/L45-50135-20-A	5.512	3.150	1.772	.677	1.250	1.575	5.307	14.99

R = Right hand, L = Left hand

Adapter for CoroCut® and T-Max Q-Cut® parting blades See page H32

H34

G6

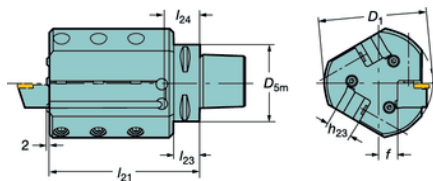
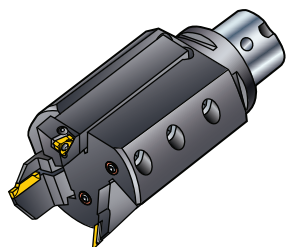
J2

H 30

Mini-turret for shank tools

Axial mounting

ASHR/L3



Coolant inlet: Axial through the center

Metric version

Right hand style shown

Coupling size	Ordering code	Dimensions							
		D_1	D_{5m}	f	h_{23}	l_{21}	l_{23}	l_{24}	$\frac{kg}{lb}$
C5	C5-ASHR/L3-36123-20	90	50	16	20	123	20	26	3.4
C6	C6-ASHR/L3-36125-20	90	63	16	20	125	22	28	3.8
C8	C8-ASHR/L3-45150-32	120	80	20	32	150	30	36	7.5

Inch version

Coupling size	Ordering code	Dimensions, inch							
		D_1	D_{5m}	f	h_{23}	l_{21}	l_{23}	l_{24}	$\frac{lbs}{kg}$
C5	C5-ASHR/L3-36123-12-A	3.543	1.968	.614	.750	4.842	.787	1.024	7.85
C6	C6-ASHR/L3-36125-12-A	3.543	2.480	.614	.750	4.921	.866	1.102	8.16
C8	C8-ASHR/L3-46150-20-A	4.724	3.150	.811	1.250	5.906	1.181	1.417	17.01

R = Right hand, L = Left hand

Warning!

The adapters are designed for automatic tool change.

Make sure that there is no risk of interference in the magazine and tool changing cycle.



Adapter for CoroCut® and T-Max Q-Cut® parting blades See page H32



H34



G6

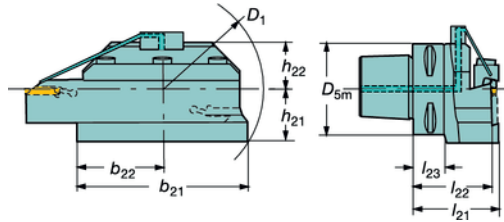
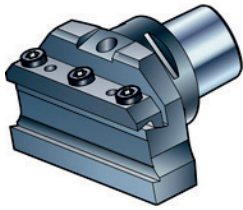


J2

Adapter for CoroCut® and T-Max Q-Cut® parting blades

Coromant Capto®

Radial mounting



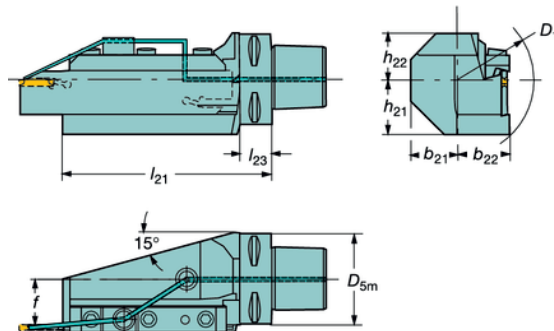
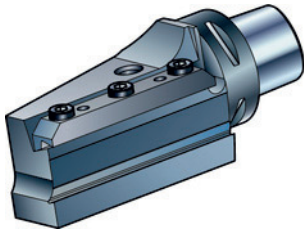
Neutral style shown

For blade size	Coupling size	Ordering code	Dimensions, mm, inch									
			D_{5m}	b_{21}	b_{22}	D_1	h_{21}	h_{22}	l_{21}	l_{22}	l_{23}	kg
21	C5	C5-APBA-40058-21	50	80	40	100	30	25.2	58	53	20	1.30
25	C6	C6-APBA-60060-25	1.968	3.150	1.575	3.937	1.181	.992	2.284	2.087	.787	2.30
			63	120	60	141	37	32	60	55	22	
25	C8	C8-APBA-60068-25	2.480	4.724	2.362	5.551	1.457	1.260	2.362	2.165	.866	3.30
			80	120	60	145	40.5	40	68	63	30	
45	C6	C6-APBA-80068-45	3.150	4.724	2.362	5.709	1.594	1.575	2.677	2.480	1.181	5.42
			63	160	80	198	72	42	68	60.5	23.2	
45	C8	C8-APBA-80068-45	2.480	6.299	3.150	7.795	2.835	1.654	2.677	2.382	.913	5.42
			80	160	80	198	72	42	68	60.5	31.2	
45	C10	C10-APBA-80075-45	3.150	6.299	3.150	7.795	2.835	1.654	2.677	2.382	1.228	6.60
			100	160	80	190	61.7	50.5	75	68	36	
			3.937	6.299	3.150	7.480	2.429	1.988	2.953	2.677	1.417	

Adapter for CoroCut® and T-Max Q-Cut® parting blades

Coromant Capto®

Axial mounting



Right hand style shown

For blade size	Coupling size	Ordering code	Dimensions, mm, inch									
			D_{5m}	b_{21}	b_{22}	D_1	f	h_{21}	h_{22}	l_{21}	l_{23}	kg
21	C4	C4-APBR/L-26110-21	40	20.5	26	76	21	30	20.5	110	20	0.90
			1.575	.807	1.024	2.992	.827	1.181	.807	4.331	.787	
	C5	C5-APBR/L-31095-21	50	25.5	31	87	26	30	26	95	20	1.30
			1.968	1.004	1.220	3.425	1.024	1.181	1.024	3.740	.787	
25	C5	C5-APBR/L-31110-21	50	25.5	31	80	26	30	25.5	110	20	1.12
			1.968	1.004	1.220	3.150	1.024	1.181	1.004	4.331	.787	
	C6	C6-APBR/L-37147-25	63	32	37	106	32	38	32	147	22	3.22
			2.480	1.260	1.457	4.173	1.260	1.496	1.260	5.787	.866	
45	C6	C6-APBR/L-37147-25X	63	32	37	100	32	38	32	147	22	2.00
			2.480	1.260	1.457	3.937	1.260	1.496	1.260	5.787	.866	
	C8	C8-APBR/L-46155-25	80	40	45.5	122	40.5	40.5	40.5	155	30	6.10
			3.150	1.575	1.791	4.803	1.594	1.594	1.594	6.102	1.181	
C8	C8-APBR/L-46155-25X	80	40.5	45.5	115	40.5	40.5	40.5	155	30	3.16	
		3.150	1.594	1.791	4.528	1.594	1.594	1.594	6.102	1.181		
45	C10	C10-APBR/L-60205-45	100	50.5	60	160	53	61.7	50.5	205	36	10.50
			3.937	1.988	2.362	6.299	2.087	2.429	1.988	8.071	1.417	

R = Right hand, L = Left hand

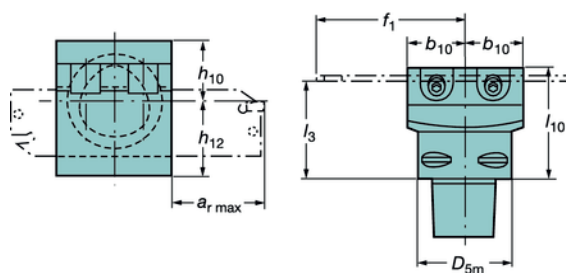
Warning!

The adapters are designed for automatic tool change. Make sure that there is no risk of interference in the magazine and tool changing cycle.

Coolant adapter ordered separately. See page B32



Adapter for CoroCut® and T-Max Q-Cut® parting blades



For blade size	Coupling size	Ordering code	Dimensions, mm, inch							kg	
			$a_r \text{ max}$	b_{10}	D_{5m}	f_1	h_{10}	h_{12}	l_3		l_{10}
21	C4	C4-151.2-25040-21	44.45	24.89	40	69.34	24.89	29.97	40.13	45.21	0.68
			1.750	.980	1.575	2.730	.980	1.180	1.580	1.780	
21	C5	C5-151.2-33040-21	44.45	33.02	50	77.47	32	35.05	40.13	45.21	1.10
			1.750	1.300	1.968	3.050	1.260	1.380	1.580	1.780	
25	C5	C5-151.2-33040-25	76.2	33.02	50	109.22	32	35.05	40.13	45.21	1.13
			3.000	1.300	1.968	4.300	1.260	1.380	1.580	1.780	



H35



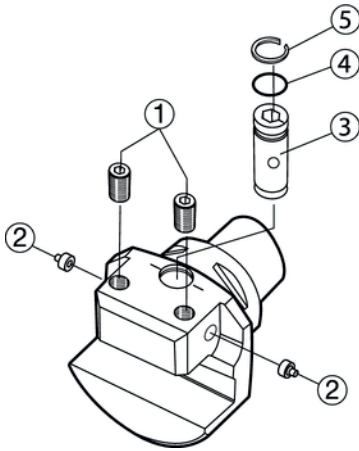
G6



J2

Spare parts

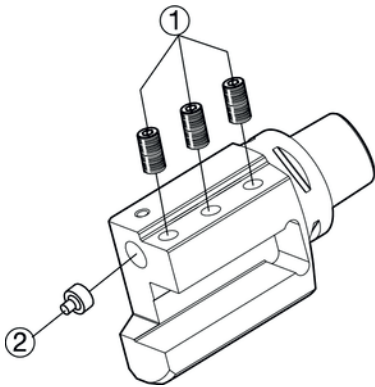
Radial mounting



	1	2	3	4	5	
	Screw	NPT	Coolant nozzle	Valve bolt	O-ring	Circlip
C3-ASHA-25040-12	3214 020-359		5691 029-08	5692 035-05	5641 005-08	-
C4-ASHA-25046-10U	3214 010-408	1/8	-			
C4-ASHA-25046-16	3214 020-359		5691 029-08	5692 035-05	5641 005-08	-
C5-ASHA-30055-12U	3214 010-408	1/8	-			
C5-ASHA-38057-12-AM	3214 020-461		5691 029-09	5692 035-04	5641 005-79	3421 105-015
C6-ASHA-38066-12U	3214 010-459	1/8	-			
C6-ASHA-38059-12-AM	3214 020-411		5691 029-09	5692 035-04	5641 005-79	3421 105-015
C8-ASHA-45085-25	3214 020-512		5691 029-09	5692 035-04	5641 005-79	3421 105-015
C8-ASHA-55085-20-AM	3214 020-512		5691 029-09	5692 035-04	5641 005-79	3421 105-015
C5-ASHA-38058-20M	3214 020-461		5691 029-09	5692 035-04	5641 005-79	3421 105-015
C6-ASHA-38060-20M	3214 020-411		5691 029-09	5692 035-04	5641 005-79	3421 105-015
C6-ASHA-45071-16-A	3214 020-512		5691 029-09	5692 035-04	5641 005-79	3421 105-015
C6-ASHA-45071-25M	3214 040-462		5691 029-09	5692 035-04	5641 005-79	3421 105-015
C6-ASHA-50071-32M	3214 040-462		5691 029-09	5692 035-04	5641 005-79	3421 105-015
C8-ASHA-55085-32M	3214 020-512		5691 029-09	5692 035-04	5641 005-79	3421 105-015
C8X-ASHA-55090-32M	3214 020-512		5691 029-09	5692 035-04	5641 005-79	3421 105-015

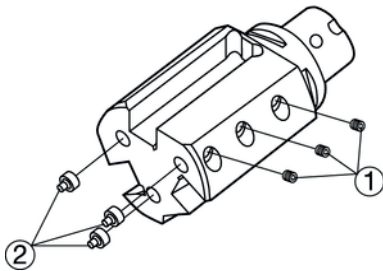
Axial mounting

Cx-ASHA/ASHS



	1	2	3	4	5	
	Screw	NPT	Coolant nozzle	Valve bolt	O-ring	Circlip
C3-ASHR/L-18085-12	3214 020-358		5691 029-08	-	-	-
C4-ASHR/L-23104-16	3214 020-409		5691 029-09	-	-	-
C5-ASHS-47088-12U	3214 010-408	1/8	-			
C5-ASHR/L-30098-12-A	3214 020-461		5691 029-10			
C5-ASHR/L-30098-20	3214 020-461		5691 029-10			
C6-ASHS-54090-12U	3214 010-408	1/8	-			
C6-ASHR/L-30100-12-A	3214 020-411		5691 029-10			
C6-ASHR/L-38130-16-A	3214 020-512		5691 029-10			
C6-ASHR/L-30100-20	3214 020-461		5691 029-10			
C6-ASHR/L-38130-25	3214 020-512		5691 029-10			
C6-ASHR/L-40140-32	3214 020-512		5691 029-10			
C6-ASHS-58115-32	3214 040-462		5691 029-09			
C8-ASHS-73160-32	3214 020-512		5691 029-10	5692 035-04	5641 005-79	3421 105-015
C8-ASHR/L-40140-20-A	3214 020-512		5691 029-10			
C8X-ASHR/L-50143-32	3214 020-512		5691 029-10			
C10-ASHR/L-50150-32	3214 020-512		5691 029-10	5692 035-04	5641 005-79	3421 105-015

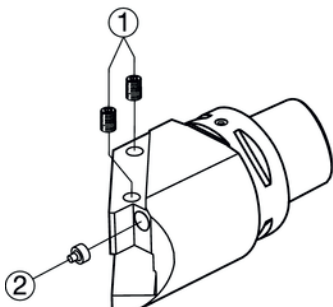
Cx-ASHR/L3



	1	2
	Screw	Coolant nozzle
C5-ASHR/L3-36123-12-A	3214 020-512	5691 029-09
C5-ASHR/L3-36123-20	3214 020-512	5691 029-09
C6-ASHR/L3-36125-12-A	3214 020-512	5691 029-09
C6-ASHR/L3-36125-20	3214 020-512	5691 029-09
C8-ASHR/L3-48150-12-A	3214 020-512	5691 029-10
C8-ASHR/L3-48150-32	3214 020-512	5691 029-10

Angular mounting

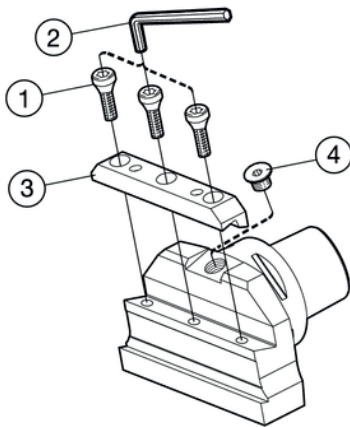
Cx-ASHR45



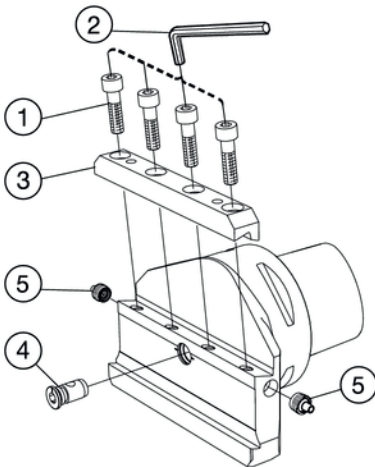
	1	2
	Screw	Coolant nozzle
C5-ASHR/L45-36097-12-A	3214 020-461	5691 029-09
C5-ASHR/L45-36097-20	3214 020-461	5691 029-09
C6-ASHR/L45-36099-12-A	3214 020-411	5691 029-09
C6-ASHR/L45-36099-20	3214 020-461	5691 029-09
C8-ASHR/L45-50135-20-A	3214 020-512	5691 029-09
C8-ASHR/L45-50135-32	3214 020-512	5691 029-09

Spare parts

Radial mounting



	1	2	3	4	
Adapter	Screw	Key (mm)	Clamp	Plug	Optional coolant adapter ²⁾
C5-APBA-40058-21	3212 010-410	3021 010-060 (6.0)	5412 120-01	5519 055-01	5691 050-011
C6-APBA-60060-25	3212 010-411	3021 010-060 (6.0)	5412 120-02	5519 055-01	5691 050-011
C8-APBA-60068-25	3212 010-411	3021 010-060 (6.0)	5412 120-02	5519 055-01	5691 050-011
C6-APBA-80068-45	3212 010-412	3021 010-060 (6.0)	5412 120-03	5519 055-01	5691 050-011
C8-APBA-80068-45	3212 010-412	3021 010-060 (6.0)	5412 120-03	5519 055-01	5691 050-011



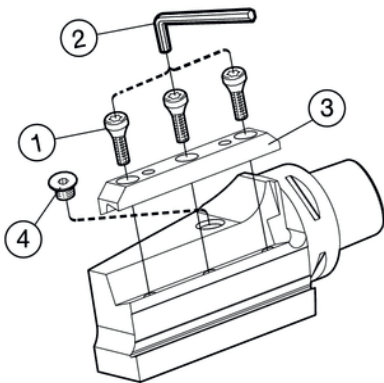
	1	2	3	4	5
	Screw	Key (mm)	Clamp	Valve bolt	Nozzle (thread)
C10-APBA-80075-45	3212 010-412	3021 010-060 (6.0)	5412 120-03	5692 035-04	5691 034-03 (M10) ¹⁾

¹⁾ When changing nozzle use key 5680 019-01 and bits 5680 021-03

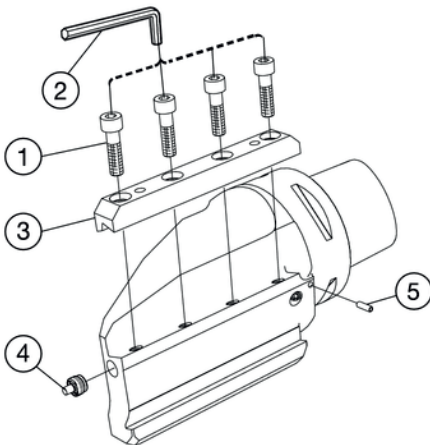
²⁾ To be ordered separately

Spare parts

Axial mounting



	1	2	3	4	
Adapter	Screw	Key (mm)	Clamp	Plug	Optional coolant adapter ²⁾
C5-APBR/L-31095-21	3212 010-410	3021 010-060 (6.0)	5412 120-01	5519 055-01	5691 050-011
C6-APBR/L-37147-25	3212 010-411	3021 010-060 (6.0)	5412 120-02	5519 055-01	5691 050-011
C8-APBR/L-46155-25	3212 010-411	3021 010-060 (6.0)	5412 120-02	5519 055-01	5691 050-011

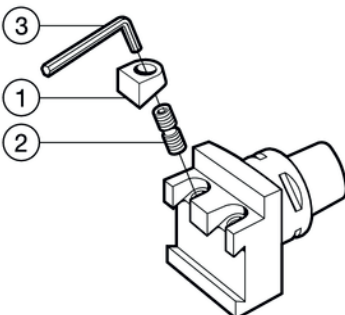


	1	2	3	4	5
Adapter	Screw	Key (mm)	Clamp	Nozzle (thread)	Spring pin
C4-APBR/L-26110-21	3212 010-411	3021 010-060 (6.0)	5412 120-01	5691 034-01 (M8) ¹⁾	3113 030-457
C5-APBR/L-31110-21	3212 010-411	3021 010-060 (6.0)	5412 120-01	5691 034-01 (M10) ¹⁾	3113 030-457
C6-APBR/L-37147-25X	3212 010-411	3021 010-060 (6.0)	5412 120-02	5691 034-01 (M10) ¹⁾	3113 030-457
C8-APBR/L-46155-25X	3212 010-411	3021 010-060 (6.0)	5412 120-02	5691 034-01 (M10) ¹⁾	3113 030-457
C10-APBR/L-60205-45	3212 010-412	3021 010-060 (6.0)	5412 120-03	5691 034-03 (M10) ¹⁾	3113 030-457

1) When changing nozzle use key 5680 019-01 and bits 5680 021-03

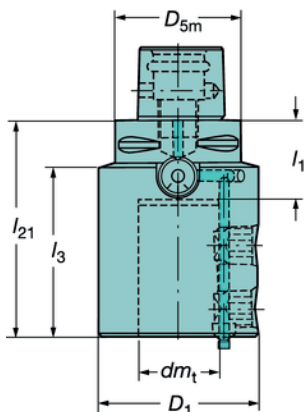
2) To be ordered separately

Adapter for CoroCut® and T-Max Q-Cut® parting blades



	1	2	3
Adapter	Clamp	Clamp screw	Key (Size, mm)
C4-151.2-25040-21	150.2-820	269-833	3021 010-040 (4.0)
C5-151.2-33040-21	150.2-820	269-833	3021 010-040 (4.0)
C6-151.2-43045-21			
C5-151.2-33040-25			
C6-151.2-43045-25			

Boring bar adapters for Multi-Task machining



Technical information:

C = Coolant goes straight through the center

L = Left coolant nozzle will get coolant

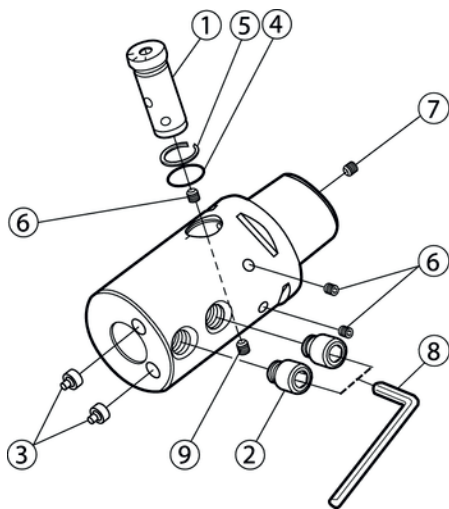
R = Right coolant nozzle will get coolant

l_1 = programming length

Coolant inlet: Axial through the center

Coupling size	Ordering code	Dimensions, millimeter, inch (mm, in.)													
		dm_1 mm	dm_1 in.	D_1 mm	D_1 in.	D_{5m} mm	D_{5m} in.	l_1 mm	l_1 in.	l_3 mm	l_3 in.	l_{21} mm	l_{21} in.	$\frac{m}{kg}$	
C5	C5-131-00100-25	25	0.984	63	2.480	50	1.968	43	1.693	80	3.150	100	3.937	2.0	
C6	C6-131-00098-25	25	0.984	63	2.480	63	2.480	41	1.614			98	3.858	2.4	
	C6-131-00112-40	40	1.575	80	3.150	63	2.480	41	1.614	90	3.543	112	4.409	3.5	
C8	C8-131-00098-25	25	0.984	63	2.480	80	3.150	41	1.614	50	1.968	98	3.858	3.4	
	C8-131-00112-40	40	1.575	80	3.150	80	3.150	41	1.614			112	4.409	4.3	

Spare parts



	1	2	3	4	5
	Valve bolt	Screw	Coolant nozzle	O-ring	Circlip
C5-131-00100-25	5692 035-03	5514 012-02	5691 029-09	5641 005-06	3421 105-020
C6-131-00098-25	5692 035-01	5514 012-02	5691 029-09	5641 005-06	3421 105-020
C6-131-00112-40	5692 035-01	5514 012-01	5691 029-10	5641 005-06	3421 105-020
C8-131-00098-25	5692 035-02	5514 012-02	5691 029-09	5641 005-06	3421 105-020
C8-131-00112-40	5692 035-02	5514 012-01	5691 029-10	5641 005-06	3421 105-020
	6	7	8	9	
	Screw	Spring plunger	Key	Screw	
C5-131-00100-25	3214 010-355 (DIN913-M6x6-45H)	5514 064-01	3021 010-080 (DIN911-8)	3214 010-406	
C6-131-00098-25	3214 010-355 (DIN913-M6x6-45H)	5514 064-01	3021 010-080 (DIN911-8)	3214 010-406	
C6-131-00112-40	3214 010-355 (DIN913-M6x6-45H)	5514 064-01	3021 010-100 (DIN911-10)	3214 010-406	
C8-131-00098-25	3214 010-355 (DIN913-M6x6-45H)	5514 064-01	3021 010-080 (DIN911-8)	3214 010-406	
C8-131-00112-40	3214 010-355 (DIN913-M6x6-45H)	5514 064-01	3021 010-100 (DIN911-10)	3214 010-406	

For cylindrical sleeves, see page A320.



G6

A

MULTI-TASK MACHINING

HSK solid holding tools

TURN - USA

Boring bar adapters for Multi-Task machining

HSK form A/C/T

Radial mounting


B

C

Metric version

Coolant inlet: Axial through the center

Neutral style shown

HSK size	Ordering code	Dimensions									
		D_1	D_{5m}	b_{21}	b_{22}	h_{21}	h_{23}	l_1	l_{21}		
63	392.419-63-ASHA-25	110	63	45	30	55	25	65	91	2.7	
100	392.419-100-ASHA-32	142	100	55	40	65	32	68	100	5.7	

Axial mounting


G

H

Coolant inlet: Axial through the center

Metric version

Right hand style

HSK size	Ordering code	Dimensions											
		D_1	D_{5m}	b_{21}	b_{22}	f	h_{23}	l_{21}	l_{22}	l_{23}	l_{24}		
63	392.419-63-ASHR/L-25	103.5	63	32	38	13	25	152	134	42	50	3.7	
100	392.419-100-ASHR/L-32	110	100	42.5	40	8	32	155	145	45	50	6.3	

R = Right hand, L = Left hand

I

Warning!

The adapters are designed for automatic tool change.

Make sure that there is no risk of interference in the magazine and tool changing cycle.

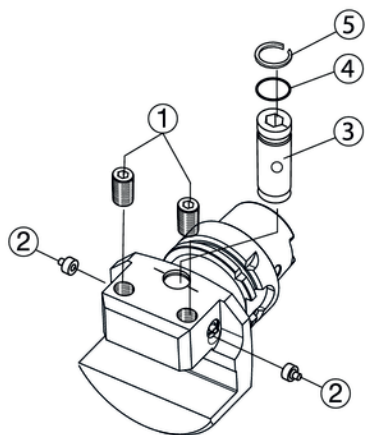
J

H 38

Boring bar adapters for Multi-Task machining

Radial mounting

ASHA

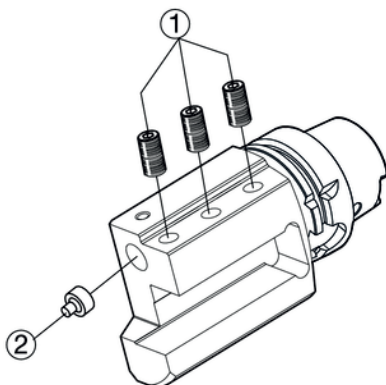


	1	2	3	4	5
	Screw	Coolant nozzle (thread)	Valve bolt	O-ring	Circlip
392.419-63-ASHA-25	3214 020-512	5691 034-02 (M10) ¹⁾	5692 035-04	5641 005-79	3421 105-015 (SB15)
392.419-100-ASHA-32	3214 020-512	5691 034-02 (M10) ¹⁾	5692 035-04	5641 005-79	3421 105-015 (SB15)

1) When changing nozzle use key 5680 019-01 and bits 5680 021-03

Axial mounting

ASHR/L



	1	2
	Screw	Coolant nozzle (thread)
392.419-63-ASHR/L-25	3214 020-512	5691 034-02 (M10) ¹⁾
392.419-100-ASHR/L-32	3214 020-512	5691 034-02 (M10) ¹⁾

1) When changing nozzle use key 5680 019-01 and bits 5680 021-03

A
B
C
G
H
I
J

TURN - USA


MULTI-TASK MACHINING HSK solid holding tools

Boring bar adapters for Multi-Task machining

HSK form A/C/T

Axial mounting

Right hand style shown

For blade size	HSK size	Ordering code	Dimensions, mm, inch								
			D_{5m}	b_{21}	b_{22}	D_1	h_{21}	h_{22}	l_{21}	l_{23}	
25	63	392.419-63-APBR/L-25	63	31.5	37	100	38	31.5	168	42	2.07
			2.480	1.240	1.457	3.937	1.496	1.240	6.614	1.654	

R = Right hand, L = Left hand

Warning!
The adapters are designed for automatic tool change.
Make sure that there is no risk of interference in the magazine and tool changing cycle.

Main spare parts

	1	2	3	4	5
Holder	Screw	Clamp	Nozzle	Spring pin	Key (mm)
392.419-63-APBR/L-25	3212 010-411	5412 120-02	5631 034-01	3113 030-457	3021 010-060 (6.0)

H 40