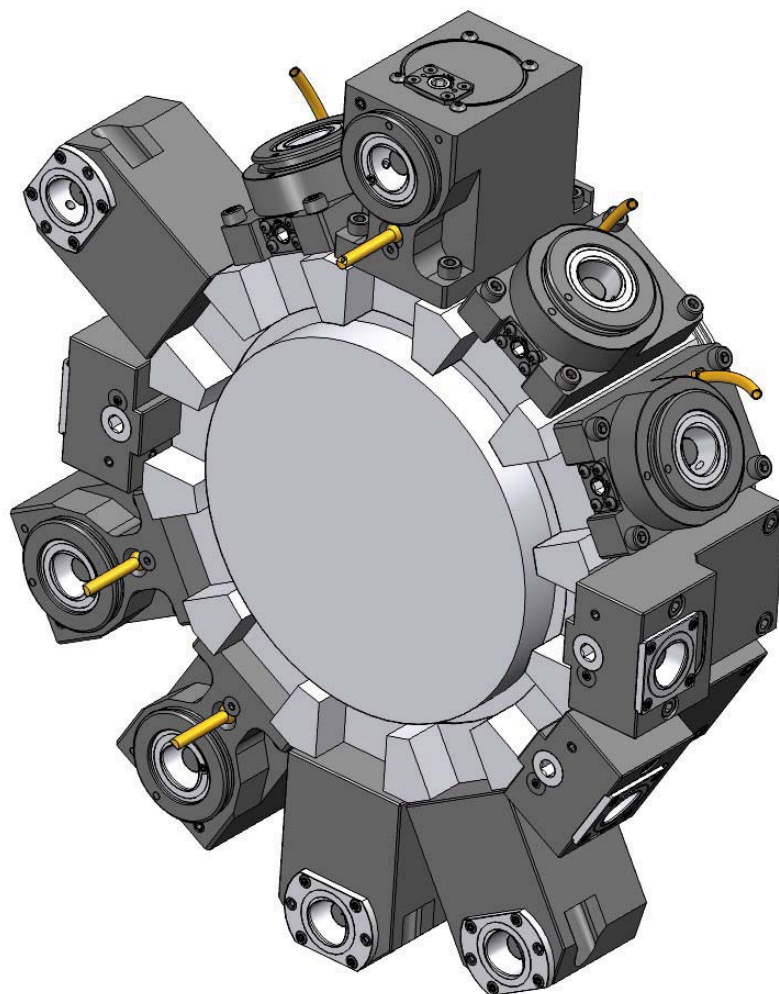


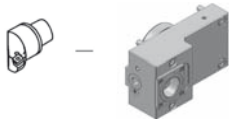
# Mazak Quick Turn Smart 200, 250 M

Tool holder program



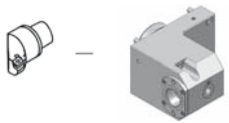
# Mazak Quick Turn Smart 200, 250M

Coromant Capto® Program



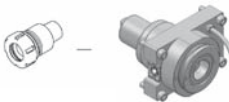
## OD clamping unit

C4	C4-TRE-MZ68B (343-830111C922-RC)	Standard
C4	C4-TLE-MZ68B (343-830111C922-LC)	Standard



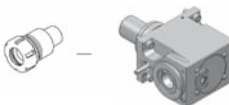
## Face and ID clamping unit

C4	C4-TRI-MZ68B (343-830111C923-RC)	Standard
C4	C4-TRI-MZ68V (343-830111C923-LC)	Standard



## OD drill/milling unit

C4	C4-DNE-MZ68B-E	1:1	EC	Standard
C4	C4-DNE-MZ68B-I	1:1	IC 80 bar	Standard



## Face drill/milling unit

C4	C4-DNI-MZ68B-E	1:1	EC	Standard
C4	C4-DNI-MZ68B-I	1:1	IC 80 bar	Standard