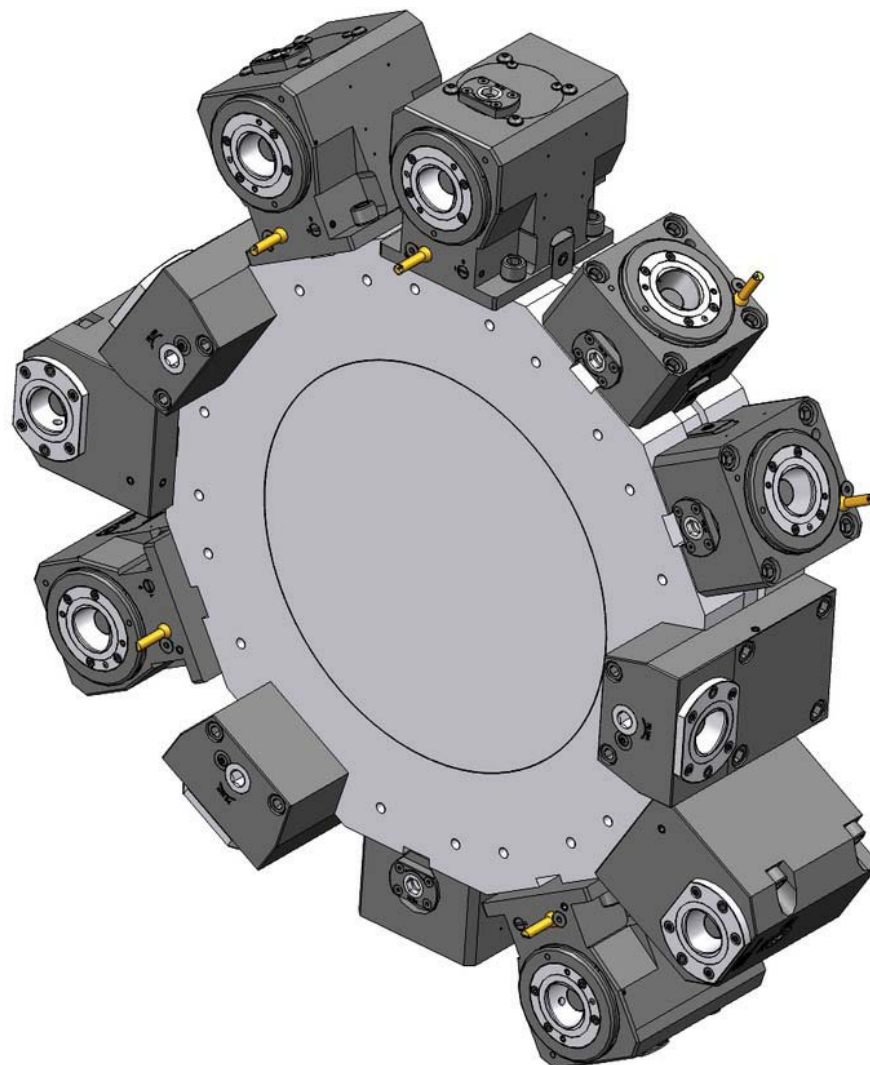


# Doosan Puma VT750 M, M-2SP

Tool holder program



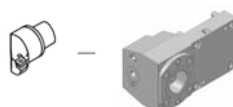
# Doosan Puma VT750 M, M-2SP

Coromant Capto® Program



## OD clamping unit

C5	C5-TRE-BT75A (343-830111C399-RC)				Standard
C5	C5-TLE-BT75A (343-830111C694-LC)				Standard



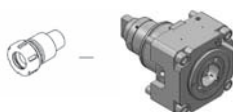
## OD clamping unit

C6	343-830111C992				Special
----	----------------	--	--	--	---------



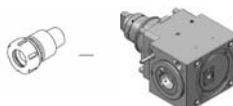
## Face and ID clamping unit

C5	343-830111C582				Special
C5	343-830111C583				Special



## OD drill/milling unit

C5	C5-DNE-BT75A-E	1:1	EC		Standard
C5	C5-DNE-BT75A-I	1:1	IC 80 bar		Standard



## Face drill/milling unit, L2=90

C5	343-830820N2402	1:1	EC		Special
C5	343-830820N2403	1:1	IC 80 bar		Special