

Spare parts for Machine adapted clamping units

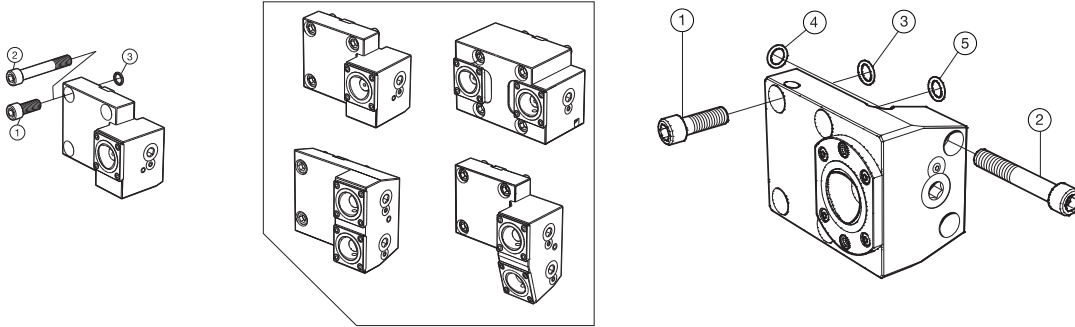


BMT	
External clamping units	2
Internal clamping units	3
Holder for parting blade	4
Holder for shank tool	5
BMT-P	
Driven tool holders	6
Doosan	
Clamping units	8
Holder for parting blade	9
Holder for shank tool	10
Gildemeister	
Clamping units	11
Driven tool holders	12
Mazak	
External clamping units	13
Internal clamping units	15
Holder for parting blade	17
Holder for shank tool	19
Driven tool holders	20
Mazak MZ50V (-VDI)	
External/internal clamping units	23
Holder for parting blade	24
Driven tool holders	25
Mori Seiki	
External clamping units	26
Internal clamping units	27
Holder for parting blade	29
Driven tool holders	30
Murata	
Clamping units	34
Nakamura Tome	
External clamping units	35
Internal clamping units	36
Holder for parting blade	37
Driven tool holders	38
Okuma	
External clamping units	39
Internal clamping units	40
Holder for parting blade	41
Holder for shank tool	43
Driven tool holders	44
Fuji	
Clamping units	46
Parting blade adaptors	
Straight design	47
Angled design	48
Shank tool adaptors	
Straight design	49
Angled design	50

BMT

Machine adapted clamping units

CBI external



	Spare parts		
	1	2	3
Ordering code	Screw	Screw	O-ring
C4-TR/LE-BT55A	3212 010-461	3212 010-463	
C4-TR/LE-BT65A	3212 010-512		
C4-TR/LE-BT65A-DT	3212 010-545		5641 001-97
C4-TR/LE-BT65A-TT*	3212 010-512		
C4-TR/LE-BT65A-YT*	3212 010-513		
C5-TR/LE-BT65A	3212 010-512		
C5-TR/LE-BT75A	3212 010-513	3212 010-470	
C5-TR/LE-BT75B	3212 010-518		
C6-TR/LE-BT85A	3212 010-513	5512 060-26	
C6-TR/LE-BT85B	3212 010-518		5641 001-122

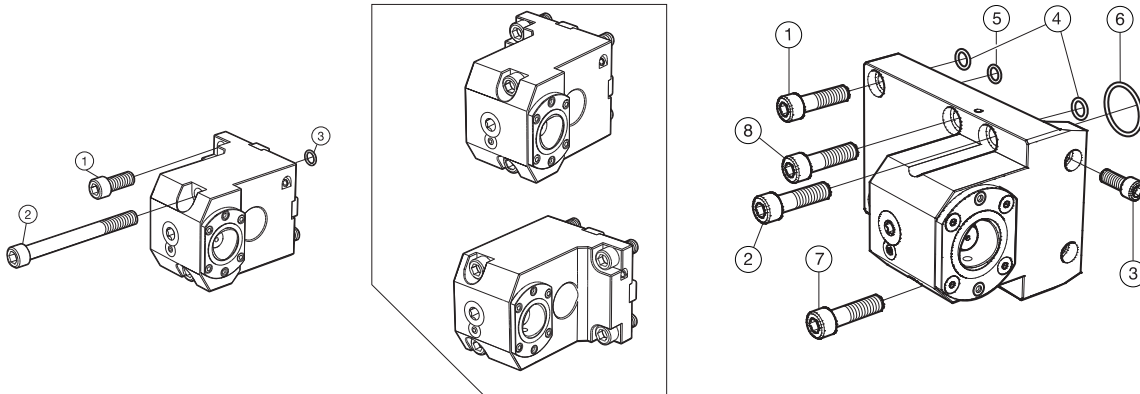
Note!

Clamping unit spare parts are the same as the type 2085 or type 2090, see spare part section in Turning tools 2012.

BMT

Machine adapted clamping units

CBI internal



Spare parts			
	1	2	3
Ordering code	Screw	Screw	O-ring
C4-TR/LI-BT55A	3212 010-462	3212 010-471	
C4-TR/LI-BT65A	3212 010-512	3212 010-525	5641 001-97
C4-TR/LI-BT65A-SS	3212 010-512	3212 010-525	5641 001-97
C5-TR/LI-BT65A	3212 010-512	3212 010-525	5641 001-97

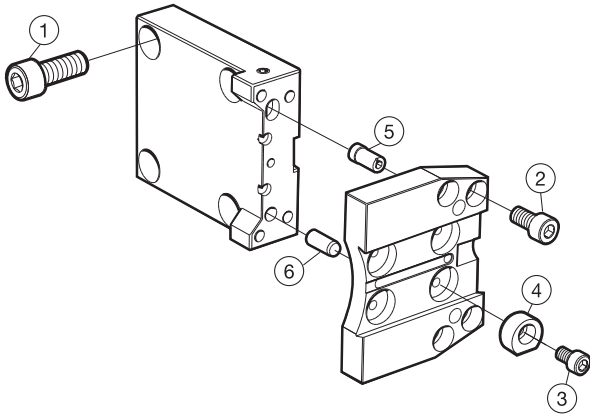
Spare parts				
	1	2	3	4
Ordering code	Screw	Screw	Screw	O-ring
C5-TR/LI-BT75A	3212 010-524			
C5-TR/LI-BT75B	3212 010-525	3212 010-515		
C6-TR/LI-BT75A	3212 010-545			
C6-TR/LI-BT85A	3212 010-524			
C6-TR/LI-BT85B	3212 010-525			
C6-TR/LI-BT85C	3212 010-526	3212 010-516		5641 001-122
C8-TR/LI-BT85A	3212 010-526		3212 010-515	5641 001-122
C10-TR/LI-BT85A	3212 010-528		3212 010-516	5641 001-122

Note!

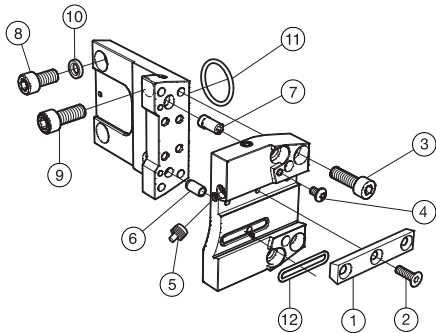
Clamping unit spare parts are the same as the type 2090, see spare part section in Turning tools 2012.

BMT

Holder for parting blade



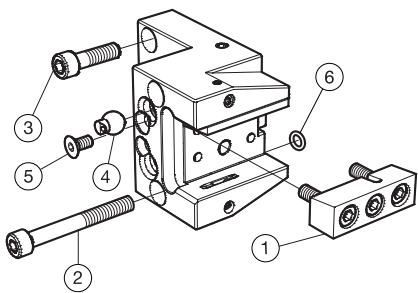
	Spare parts				
	1	2	3	4	5
Ordering code	Screw	Screw	Screw	Wedge	Eccentric pin
APB-TNE-BT65A-25	3212 010-511	3212 010-409	3212 010-357	5431 123-01	5333 011-01
	Spare parts				
	6				
Ordering code	Parallel pin				
APB-TNE-BT65A-25	3111 020-611				



	Spare parts				
	1	2	3	4	5
Ordering code	Wedge	Screw	Screw	Screw	Nozzle
APBR/L-BT45A-21-HP	5431 115-06	3213 013-309	3212 010-396	3212 100-306	5691 034-01
APBR/L-BT55A-25-HP	5431 115-06	3213 013-309	3212 010-411	3212 100-306	5691 034-01
APBR/L-BT65A-25-HP	5431 115-06	3213 013-309	3212 010-411	3212 100-306	5691 034-01
	Spare parts				
	6	7	8	9	12
Ordering code	Parallel pin	Eccentric	Screw	Screw	O-ring
APBR/L-BT45A-21-HP	3111 050-611	5333 011-01	3212 010-411		5641 005-133
APBR/L-BT55A-25-HP	3111 050-609	5333 011-01	3212 010-460	3212 010-461	5641 005-100
APBR/L-BT65A-25-HP	3111 050-609	5333 011-01	3212 010-511		5641 005-100

BMT

Holder for shank tools

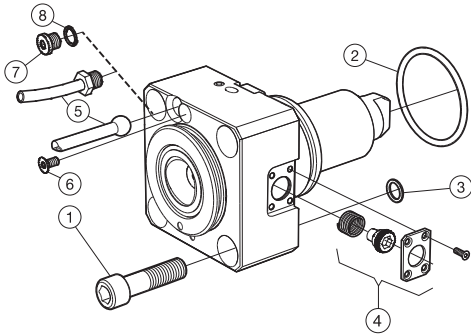


	Spare parts					
	1	2	3	4	5	
Ordering code	Wedge set	Screw	Screw	Nozzle	Screw	
ASH-TNE-BT45A-20-HP	5431 130-02	3212 010-412	3212 010-419	5691 034-04	3213 010-358	
	Spare parts					
	6					
Ordering code	O-ring					
ASH-TNE-BT45A-20-HP	5641 001-114					

BMT-P

Machine adapted driven tool holders

CBI



External

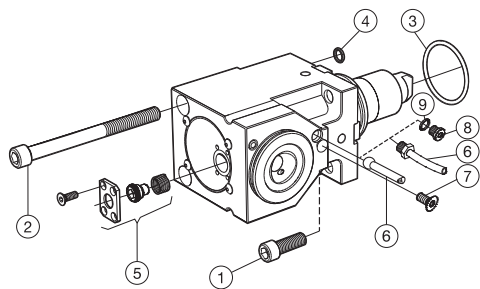
	Spare parts				
	1	2	3	4	5a
Ordering code	Screw	O-ring	O-ring	Adaptor	Nozzle
C3-DNE-BT55A-E	3212 010-466	5641 001-106	5641 005-79	5253 009-01	5691 036-01
C3-DNE-BT55A-I	3212 010-466	5641 001-106	5641 005-79	5253 009-01	5691 036-01
C4-DNE-BT65A-E	3212 010-515	5641 001-115	5641 001-97	5253 007-02	5691 036-02
C4-DNE-BT65A-I	3212 010-515	5641 001-115	5641 001-97	5253 007-02	5691 036-02
C5-DNE-BT75A-E	3212 010-519	5641 001-94	5641 001-34	5253 012-01	5691 036-01
C5-DNE-BT75A-I	3212 010-519	5641 001-94	5641 001-34	5253 012-01	5691 036-01
C6-DNE-BT85A-E	5512 060-25	5641 001-116	5641 001-34	5253 012-02	
C6-DNE-BT85A-I	5512 060-25	5641 001-116	5641 001-34	5253 012-02	

	Spare parts			
	5b	6	7	8
Ordering code	Coolant tube set	Screw	Pipe plug	Sealing ring
C3-DNE-BT55A-E		3213 010-359		
C3-DNE-BT55A-I		3213 010-359		
C4-DNE-BT65A-E		3213 010-358		
C4-DNE-BT65A-I		3213 010-358		
C5-DNE-BT75A-E		3213 010-358		
C5-DNE-BT75A-I		3213 010-358		
C6-DNE-BT85A-E	5692 023-02			
C6-DNE-BT85A-I	5692 023-02		3611 008-101	5541 042-01

BMT-P

Machine adapted driven tool holders

CBI



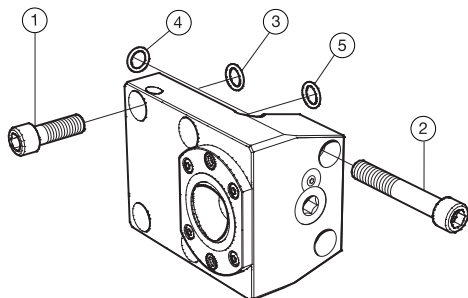
Internal

Spare parts					
	1	2	3	4	5
Ordering code	Screw	Screw	O-ring	O-ring	Adaptor
C3-DNI-BT55A-E	3212 020-474		5641 001-106	5641 005-79	5253 011-03
C3-DNI-BT55A-I	3212 020-474		5641 001-106	5641 005-79	5253 011-03
C4-DNI-BT65A-E	3212 010-513	5512 060-25	5641 001-115	5641 001-97	5253 006-12
C4-DNI-BT65A-I	3212 010-513	5512 060-25	5641 001-115	5641 001-97	5253 006-12
C4-DNI-BT65B-E	3212 010-511	3212 010-524	5641 001-115	5641 001-97	5253 006-12
C4-DNI-BT65B-I	3212 010-511	3212 010-524	5641 001-115	5641 001-97	5253 006-12
C4-DNI-BT65C-E	3212 010-513	3212 010-526	5641 001-115	5641 001-97	5253 006-12
C4-DNI-BT65C-I	3212 010-513	3212 010-526	5641 001-115	5641 001-97	5253 006-12
C5-DNI-BT75A-E	3212 010-524		5641 001-94	5641 001-34	5253 012-01
C5-DNI-BT75A-I	3212 010-524		5641 001-94	5641 001-34	5253 012-01
C5-DNI-BT75B-E	5512 060-25		5641 001-122	5641 001-94	5253 012-01
C5-DNI-BT75B-I	5512 060-25		5641 001-122	5641 001-94	5253 012-01
C6-DNI-BT85A-E	3212 010-528		5641 001-116	5641 001-34	5253 012-02
C6-DNI-BT85A-I	3212 010-528		5641 001-116	5641 001-34	5253 012-02
C6-DNI-BT85C-E	3212 010-530		5641 001-116	5641 001-122	5253 012-02
C6-DNI-BT85C-I	3212 010-530		5641 001-116	5641 001-122	5253 012-02
Spare parts					
	6a	6b	7	8	9
Ordering code	Nozzle	Coolant tube set	Screw	Pipe plug	Sealing ring
C3-DNI-BT55A-E	5691 036-01		3213 010-358		
C3-DNI-BT55A-I	5691 036-01		3213 010-358		
C4-DNI-BT65A-E	5691 036-02		3213 010-358		
C4-DNI-BT65A-I	5691 036-02		3213 010-358		
C4-DNI-BT65B-E	5691 036-02		3213 010-358		
C4-DNI-BT65B-I	5691 036-02		3213 010-358		
C4-DNI-BT65C-E	5691 036-02		3213 010-358		
C4-DNI-BT65C-I	5691 036-02		3213 010-358		
C5-DNI-BT75A-E	5691 036-01		3213 010-358		
C5-DNI-BT75A-I	5691 036-01		3213 010-358		
C5-DNI-BT75B-E	5691 036-01		3213 010-358		
C5-DNI-BT75B-I	5691 036-01		3213 010-358		
C6-DNI-BT85A-E		5692 023-02		3611 008-101	5541 042-01
C6-DNI-BT85A-I		5692 023-02		3611 008-101	5541 042-01
C6-DNI-BT85C-E		5692 023-02		3611 008-101	5541 042-01
C6-DNI-BT85C-I		5692 023-02		3611 008-101	5541 042-01

Doosan

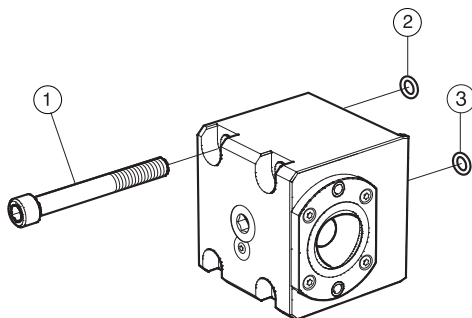
Machine adapted clamping units

External



	Spare parts	
	1	3
Ordering code	Screw	O-ring
C5-TR/LE-DO-A	3212 010-513	
C6-TR/LE-DO-C	3212 010-565	5641 001-131

Internal



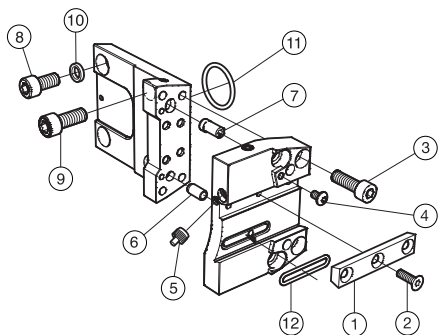
	Spare parts	
	1	2
Ordering code	Screw	O-ring
C5-TR/LI-DO-A	3212 020-523	5641 001-122
C6-TR/LI-DO-B	3212 010-521	
C6-TR/LI-DO-C	3212 010-573	
C8-TR/LI-DO-C	3212 010-573	
C10-TR/LI-DO-C	3212 010-576	

Note!

Clamping unit spare parts are the same as the type 2090, see spare part section in Turning tools 2012.

Doosan

Holder for parting blade

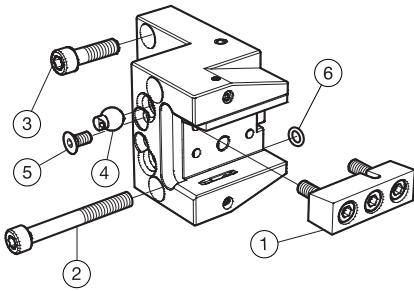


	Spare parts					
	1	2	3	4	5	
Ordering code	Wedge	Screw	Screw	Screw	Nozzle	
APBR/L-DO-A-25-HP	5431 115-06	3213 013-309	3212 010-411	3212 100-306	5691 034-01	
	Spare parts					
	6	7	8	12		
Ordering code	Parallel pin	Eccentric	Screw	O-ring		
APBR/L-DO-A-25-HP	3111 050-611	5333 011-01	3212 010-511	5641 005-100		

Doosan

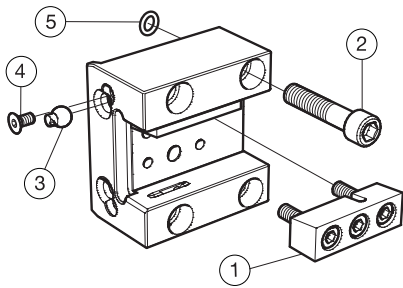
Holder for shank tools

External



	Spare parts					
	1	2	3	4	5	
Ordering code	Wedge set	Screw	Screw	Nozzle	Screw	
ASH-TNE-DO-A-25-HP	5431 130-03	3212 010-545	3212 010-514	5691 034-04	3213 010-358	
	Spare parts					
	6					
Ordering code	O-ring					
ASH-TNE-DO-A-25-HP	5641 001-122					

Internal

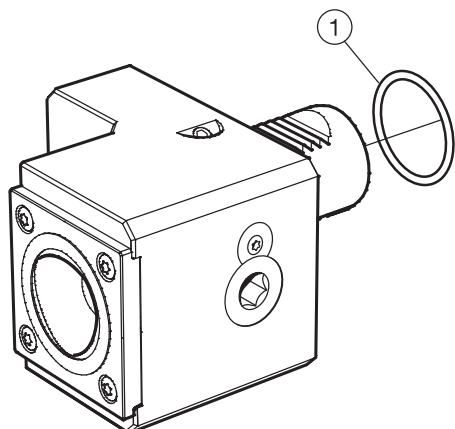


	Spare parts					
	1	2	3	4	5	
Ordering code	Wedge set	Screw	Nozzle	Screw	O-ring	
ASH-TNI-DO-A-25-HP	5431 130-03	3212 010-517	5691 034-04	3213 010-358	5641 001-122	

Gildemeister

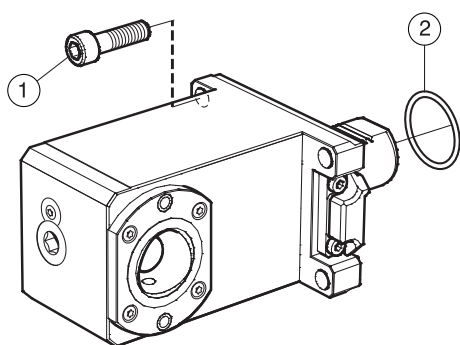
Machine adapted clamping units

External



	Spare parts	
	1	
Ordering code	O-ring	
C5-TR/LE-GM40V	5641 005-135	

Internal



	Spare parts	
	1	2
Ordering code	Screw	O-ring
C5-TR/LI-GM40V-L	3212 010-462	5641 005-135
C5-TR/LI-GM40V-R	3212 010-462	5641 005-135

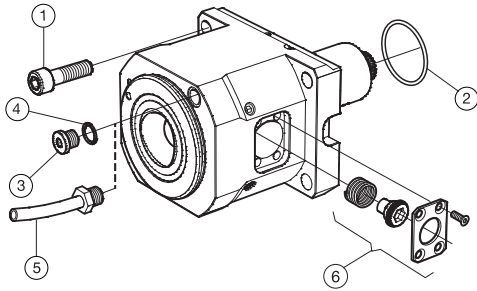
Note!

Clamping unit spare parts are the same as the type 2085 or type 2090, see spare part section in Turning tools 2012.

Gildemeister

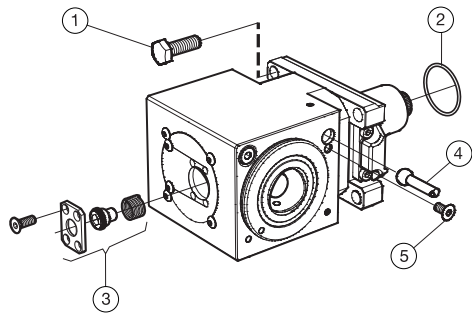
Machine adapted driven tool holders

External



Spare parts					
	1	2	3	4	5
Ordering code	Screw	O-ring	Plug	Sealing ring	Coolant tube set
C5-DNE-GM40V-E	3212 010-462	5641 005-135	3611 008-101	5541 042-01	5692 023-02
C5-DNE-GM40V-I	3212 010-462	5641 005-135	3611 008-101	5541 042-01	5692 023-02
Spare parts					
	6				
Ordering code	Adaptor				
C5-DNE-GM40V-E	5253 012-01				
C5-DNE-GM40V-I	5253 012-01				

Internal

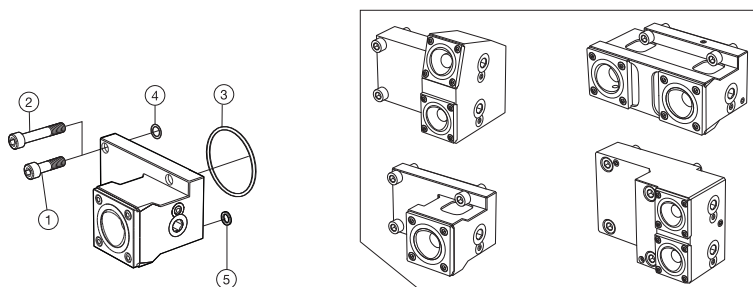


Spare parts					
	1	2	3	4	5
Ordering code	Screw	O-ring	Adaptor	Nozzle	Screw
C5-DNI-GM40V-E-L	3211 012-462	5641 005-135	5253 012-01	5691 036-01	3213 010-358
C5-DNI-GM40V-E-R	3211 012-462	5641 005-135	5253 012-01	5691 036-01	3213 010-358
C5-DNI-GM40V-I-L	3211 012-462	5641 005-135	5253 012-01	5691 036-01	3213 010-358
C5-DNI-GM40V-I-R	3211 012-462	5641 005-135	5253 012-01	5691 036-01	3213 010-358

Mazak

Machine adapted clamping units

CBI external



	Spare parts				
	1	2	3	4	5
Ordering code	Screw	Screw	O-ring	O-ring	Kantseal
C4-TR/LE-MZ68B*	3212 010-413	3212 010-417	5641 001-107	5641 001-114	5641 070-07
C5-TR/LE-MZ68A	3212 010-463		5641 001-94	5641 001-93	5641 070-05
C5-TR/LE-MZ68A-DT	3212 010-463		5641 001-94	5641 001-93	5641 070-05
C5-TR/LE-MZ80A	3212 010-463	3212 010-466	5641 001-109	5641 001-93	5641 070-05

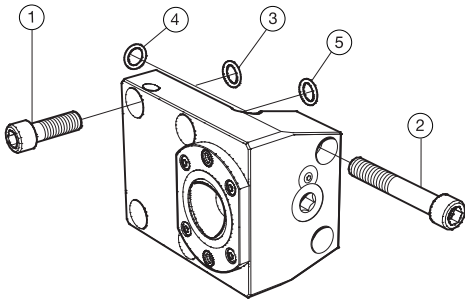
Note!

Clamping unit spare parts are the same as the type 2085, see spare part section in Turning tools 2012.

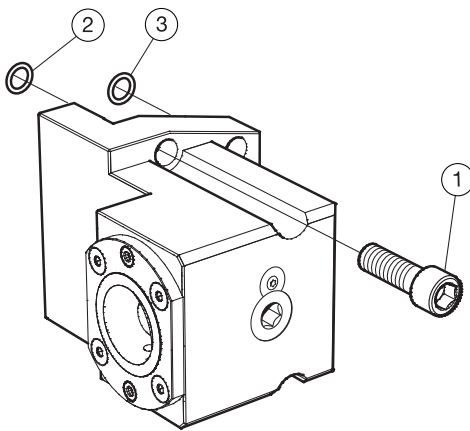
Mazak

Machine adapted clamping units

External



	Spare parts				
	1	2	3	4	5
Ordering code	Screw	Screw	O-ring	O-ring	O-ring
C4-TR/LE-MZ-A	3212 010-412		5641 001-114		
C4-TR/LE-MZ-B	3212 010-410	3212 010-366		5641 001-123	
C6-TR/LE-MZ-D	3212 010-565				5641 001-129
C6-TR/LE-MZ-E	3212 010-566				5641 001-129
C6-TR/LE-MZ-G	3212 010-565				5641 001-129
C6-TR/LE-MZ-H	3212 010-566				5641 001-129



	Spare parts		
	1	2	3
Ordering code	Screw	O-ring	Kantseal
C6-TR/LE-MZ-F	3212 010-566	5641 001-105	5641 070-05

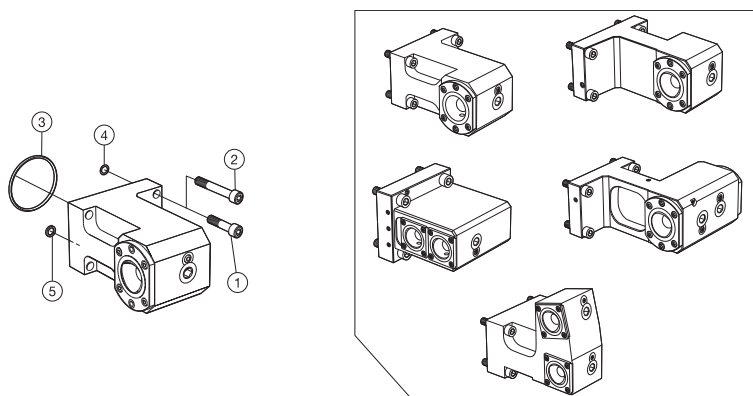
Note!

Clamping unit spare parts are the same as the type 2090, see spare part section in Turning tools 2012.

Mazak

Machine adapted clamping units

CBI internal



	Spare parts				
	1	2	3	4	5
Ordering code	Screw	Screw	O-ring	O-ring	Kantseal
C4-TR/LI-MZ68A	3212 010-465		5641 001-94	5641 001-93	5641 070-05
C5-TR/LI-MZ68A-DT	3212 010-466		5641 001-94	5641 001-93	5641 070-05
C5-TR/LI-MZ68A-SS	3212 010-465		5641 001-94	5641 001-93	5641 070-05
C4-TR/LI-MZ68B*	3212 010-413	5512 060-27	5641 001-107	5641 001-114	5641 070-07
C4-TR/LI-MZ68C	3212 010-413	5512 060-27	5641 001-107	5641 001-114	5641 070-07
C5-TR/LI-MZ80A	3212 010-463	3212 010-476	5641 001-109	5641 001-93	5641 070-05

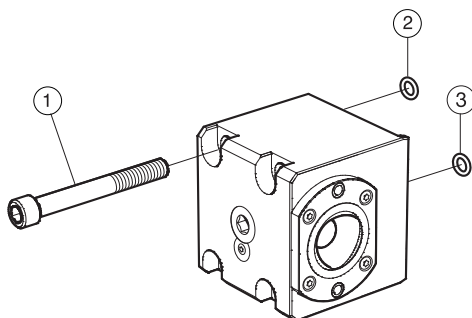
Note!

Clamping unit spare parts are the same as the type 2085 or type 2090, see spare part section in Turning tools 2012.

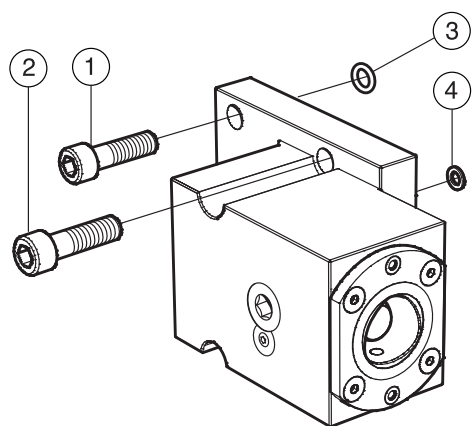
Mazak

Machine adapted clamping units

Internal



	Spare parts		
	1	2	3
Ordering code	Screw	O-ring	O-ring
C4-TR/LI-MZ-A	3212 010-418	5641 001-114	
C4-TR/LI-MZ-B	3212 010-418	5641 001-114	
C5-TR/LI-MZ-B	3212 010-419	5641 001-114	
C6-TR/LI-MZ-C	3212 010-520		5641 001-128
C6-TR/LI-MZ-D	3212 010-565		5641 001-129
C8-TR/LI-MZ-D	3212 010-567		5641 001-129
C10-TR/LI-MZ-D	3212 010-576		5641 001-129
C6-TR/LI-MZ-E	3212 010-566		5641 001-129
C8-TR/LI-MZ-E	3212 010-566		5641 001-129
C10-TR/LI-MZ-E	3212 010-573		5641 001-129
C6-TR/LI-MZ-G	3212 010-565		5641 001-129
C8-TR/LI-MZ-G	3212 010-568		5641 001-129
C10-TR/LI-MZ-G	3212 010-576		5641 001-129
C6-TR/LI-MZ-H	3212 010-566		5641 001-129
C8-TR/LI-MZ-H	3212 010-566		5641 001-129
C10-TR/LI-MZ-H	3212 010-572		5641 001-129



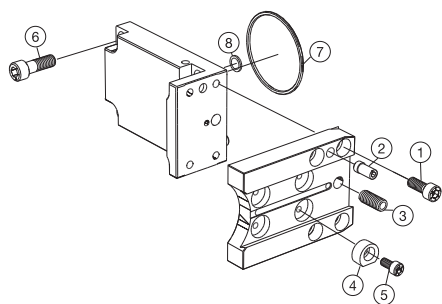
	Spare parts			
	1	2	3	4
Ordering code	Screw	Screw	O-ring	Kantseal
C6-TR/LI-MZ-F	3212 010-566		5641 001-105	5641 070-05
C8-TR/LI-MZ-F	3212 010-566	3212 010-576	5641 001-105	5641 070-05

Note!

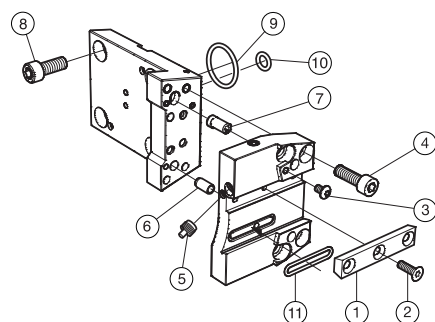
Clamping unit spare parts are the same as the type 2090, see spare part section in Turning tools 2012.

Mazak

Holder for parting blade



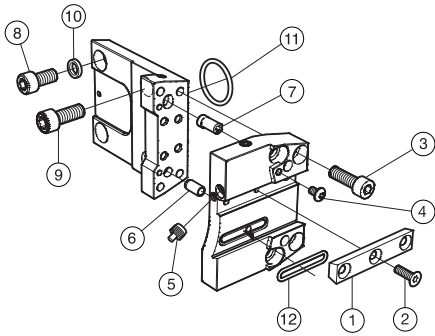
	Spare parts					
	1	2	3	4	5	
Ordering code	Screw	Eccentric pin	Parallel pin	Wedge	Screw	
APB-TNE-MZ68A-25	3212 010-463	5333 011-01	3111 050-662	5431 123-01	3212 010-357	
	Spare parts					
	6	7	8			
Ordering code	Screw	O-ring	Kantseal			
APB-TNE-MZ68A-25	3212 010-410	5641 001-94	5641 070-05			



	Spare parts					
	1	2	3	4	5	
Ordering code	Wedge	Screw	Screw	Screw	Nozzle	
APBR/L-MZ68B-25-HP	5431 115-06	3213 013-309	3212 100-306	3212 010-411	5691 034-01	
	Spare parts					
	6	7	8	9	10	
Ordering code	Eccentric	Parallel pin	Screw	O-ring	Kantseal	
APBR/L-MZ68B-25-HP	5333 011-01	3111 050-611	3212 010-413	5641 001-107	5641 070-07	
	Spare parts					
	11					
Ordering code	O-ring					
APBR/L-MZ68B-25-HP	5641 005-100					

Mazak

Holder for parting blade

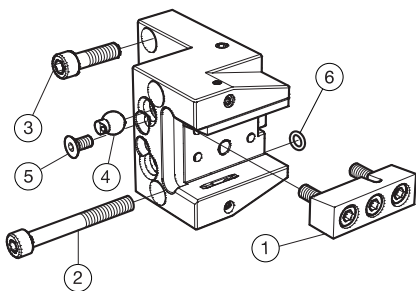


	Spare parts					
	1	2	3	4	5	
Ordering code	Wedge	Screw	Screw	Screw	Nozzle	
APBR/L-MZ-A-25-HP	5431 115-06	3213 013-309	3212 010-410	3212 100-306	5691 034-01	
APBR/L-MZ-B-25-HP	5431 115-06	3213 013-309	3212 010-410	3212 100-306	5691 034-01	
	Spare parts					
	6	7	8	12		
Ordering code	Parallel pin	Eccentric	Screw	O-ring		
APBR/L-MZ-A-25-HP	3111 050-611	5333 011-01	3212 010-411	5641 005-100		
APBR/L-MZ-B-25-HP	3111 050-611	5333 011-01	3212 010-411	5641 005-100		

Mazak

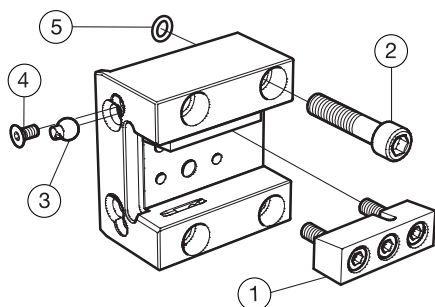
Holder for shank tools

External



Spare parts					
	1	2	3	4	5
Ordering code	Wedge set	Screw	Screw	Nozzle	Screw
ASH-TNE-MZ-A-25-HP	5431 130-04	3212 010-415	3212 010-414	5691 034-04	3213 010-358
ASH-TNE-MZ-B-25-HP	5431 130-04	3212 010-415	3212 010-413	5691 034-04	3213 010-358
Spare parts					
	6				
Ordering code	O-ring				
ASH-TNE-MZ-A-25-HP	5641 001-114				
ASH-TNE-MZ-B-25-HP	5641 001-114				

Internal

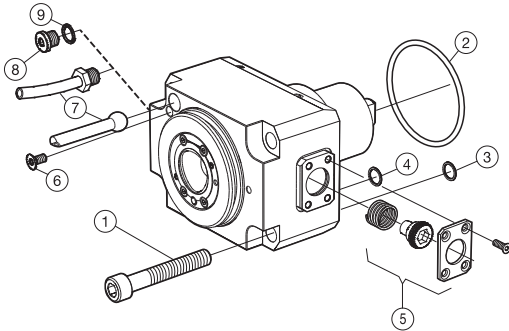


Spare parts					
	1	2	3	4	5
Ordering code	Wedge set	Screw	Nozzle	Screw	O-ring
ASH-TNI-MZ-A-25-HP	5431 130-03	3212 010-419	5691 034-04	3213 010-358	5641 001-114
ASH-TNI-MZ-B-25-HP	5431 130-03	3212 010-416	5691 034-04	3213 010-358	5641 001-114

Mazak

Machine adapted driven tool holders

External

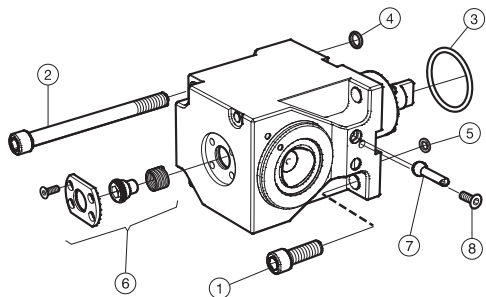


Spare parts					
	1	2	3	4	5
Ordering code	Screw	O-ring	O-ring	Kantseal	Adaptor
C4-DNE-MZ68B-E	3212 010-411	5641 001-107	5641 001-114	5641 070-07	5253 007-02
C4-DNE-MZ68B-I	3212 010-411	5641 001-107	5641 001-114	5641 070-07	5253 007-02
C5-DNE-MZ68A-E	3212 010-469	5641 001-94	5641 001-93	5641 070-05	5253 006-05
C5-DNE-MZ68A-I	3212 010-469	5641 001-94	5641 001-93	5641 070-05	5253 006-05
C5-DNE-MZ80A-E	3212 010-463	5641 001-109	5641 001-93	5641 070-05	5253 006-05
C5-DNE-MZ80A-I	3212 010-463	5641 001-109	5641 001-93	5641 070-05	5253 006-05
Spare parts					
	6	7a	7b	8	9
Ordering code	Screw	Nozzle	Coolant tube set	Pipe plug	Sealing ring
C4-DNE-MZ68B-E			5692 029-01		
C4-DNE-MZ68B-I			5692 029-01	3611 008-101	5541 042-01
C5-DNE-MZ68A-E	3213 010-359	5691 036-02			
C5-DNE-MZ68A-I	3213 010-359	5691 036-02			
C5-DNE-MZ80A-E			5692 029-01		
C5-DNE-MZ80A-I			5692 029-01	3611 008-101	5541 042-01

Mazak

Machine adapted driven tool holders

Internal



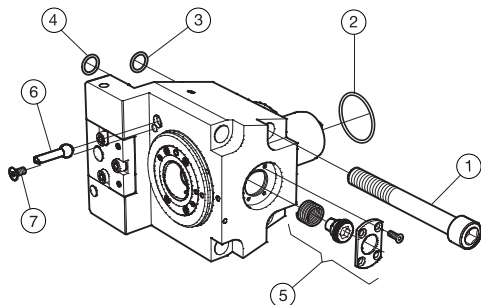
Spare parts					
	1	2	3	4	5
Ordering code	Screw	O-ring	O-ring	Kantseal	Adaptor
C4-DNI-MZ68A-E	3212 010-463	5641 001-94		5641 070-05	5253 006-06
C4-DNI-MZ68A-I	3212 010-463	5641 001-94		5641 070-05	5253 006-06
C5-DNI-MZ68A-I	3212 010-463	5641 001-94		5641 070-05	5253 006-04
C5-DNI-MZ68A-E	3212 010-463	5641 001-94		5641 070-05	5253 006-04
C4-DNI-MZ68B-E	3212 010-411	5641 001-107	5641 001-114	5641 070-07	5253 006-12
C4-DNI-MZ68B-I	3212 010-411	5641 001-107	5641 001-114	5641 070-07	5253 006-12
C5-DNI-MZ80A-E	3212 010-462	5641 001-109	5641 001-93	5641 070-05	5253 012-01
C5-DNI-MZ80A-I	3212 010-462	5641 001-109	5641 001-93	5641 070-05	5253 012-01

Spare parts			
	6	7	8
Ordering code	Nozzle	Screw	Angular adjustment set
C4-DNI-MZ68A-E			
C4-DNI-MZ68A-I			
C5-DNI-MZ68A-I	5691 036-01	3213 010-358	
C5-DNI-MZ68A-E	5691 036-01	3213 010-358	
C4-DNI-MZ68B-E	5691 036-01	3213 010-358	
C4-DNI-MZ68B-I	5691 036-01	3213 010-358	
C5-DNI-MZ80A-E	5691 036-01	3213 010-358	5337 002-01
C5-DNI-MZ80A-I	5691 036-01	3213 010-358	5337 002-01

Mazak

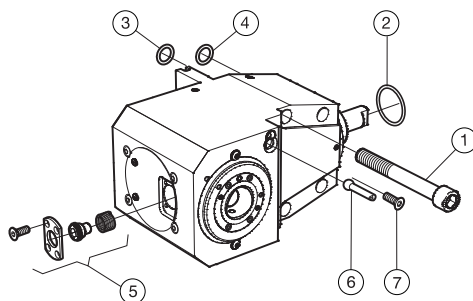
Machine adapted driven tool holders

External



Spare parts					
	1	2	3	4	5
Ordering code	Screw	O-ring	O-ring	Kantseal	Adaptor
C5-DNE-MZ-F-E	3212 010-576	5641 001-105	5641 001-121	5641 070-05	5253 006-01
C5-DNE-MZ-F-I	3212 010-576	5641 001-105	5641 001-121	5641 070-05	5253 006-01
Spare parts					
	6	7			
Ordering code	Nozzle	Screw			
C5-DNE-MZ-F-E	5691 036-01	3213 010-358			
C5-DNE-MZ-F-I	5691 036-01	3213 010-358			

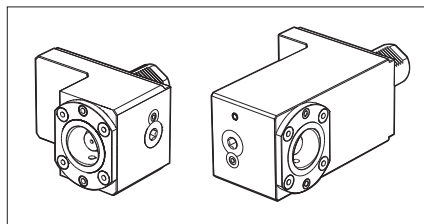
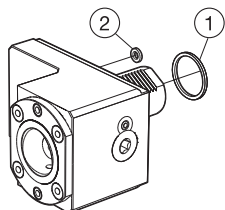
Internal



Spare parts					
	1	2	3	4	5
Ordering code	Screw	O-ring	O-ring	Kantseal	Adaptor
C5-DNI-MZ-F-E	3212 010-576	5641 001-121	5641 001-105	5641 070-05	5253 006-01
C5-DNI-MZ-F-I	3212 010-576	5641 001-121	5641 001-105	5641 070-05	5253 006-01
Spare parts					
	6	7			
Ordering code	Nozzle	Screw			
C5-DNI-MZ-F-E	5691 036-01	3213 010-358			
C5-DNI-MZ-F-I	5691 036-01	3213 010-358			

Mazak MZ50V (-VDI)

Machine adapted clamping units



External

	Spare parts	
	1	2
Ordering code	O-ring	Kantseal
C4-TR/LE-MZ40V	5641 005-136	5641 070-07
C4-TR/LE-MZ40X	5641 001-120	5641 070-07
C6-TR/LE-MZ50V	5641 005-112	5641 070-07

Internal

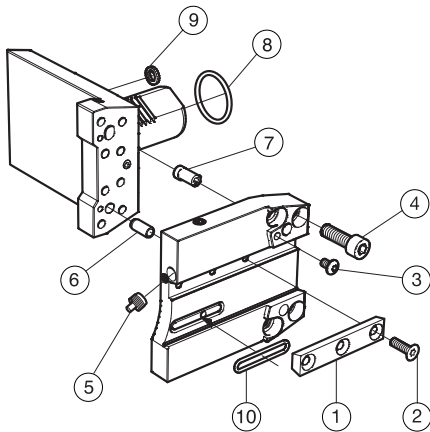
	Spare parts	
	1	2
Ordering code	O-ring	Kantseal
C4-TR/LI-MZ40V	5641 005-136	5641 070-07
C4-TR/LI-MZ40X	5641 001-120	5641 070-07
C6-TR/LI-MZ50V	5641 005-112	5641 070-07

Note!

Clamping unit spare parts are the same as the type 2090, see spare part section in Turning tools 2012.

Mazak MZ50V (-VDI)

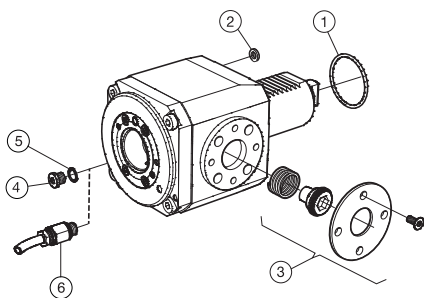
Holder for parting blade



Spare parts					
	1	2	3	4	5
Ordering code	Wedge	Screw	Screw	Screw	Nozzle
APBR/L-MZ40V-25-HP-ET	5431 115-06	3213 013-309	3212 100-306	3212 010-411	5691 034-01
APBR/L-MZ40X-25-HP-ET	5431 115-06	3213 013-309	3212 100-306	3212 010-411	5691 034-01
Spare parts					
	6	7	8	9	10
Ordering code	Eccentric	Parallel pin	O-ring	Kantseal	O-ring
APBR/L-MZ40V-25-HP-ET	5333 011-01	3111 050-611	5641 005-136	5641 070-07	5641 005-100
APBR/L-MZ40X-25-HP-ET	5333 011-01	3111 050-611	5641 005-136	5641 070-07	5641 005-100

Mazak MZ50V (-VDI)

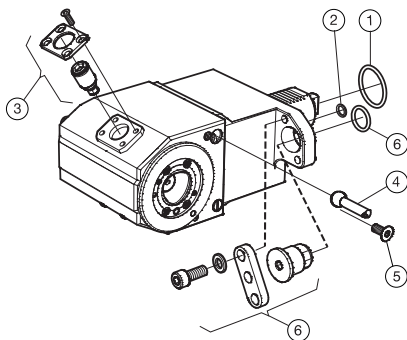
Machine adapted driven tool holders



External

	Spare parts					
	1	2	3	4	5	6
Ordering code	O-ring	Kantseal	Adaptor	Plug	Sealing ring	Coolant tube set
C4-DNE-MZ40V-E	5641 005-136	5641 070-07	5253 006-12			5692 021-01
C4-DNE-MZ40V-I	5641 005-136	5641 070-07	5253 006-12	3611 008-101	5541 042-01	5692 021-01
C5-DNE-MZ50V-E	5641 005-112	5641 070-07	5253 006-01			5692 029-01
C5-DNE-MZ50V-I	5641 005-112	5641 070-07	5253 006-01	3611 008-101	5541 042-01	5692 029-01

	Spare parts					Included parts
	1	2	3	4	5	6
Ordering code	O-ring	Kantseal	Adaptor	Plug	Sealing ring	Coolant tube set
C4-DNE-MZ40X-E	5641 005-136	5641 070-07	5253 006-12	3611 008-101	5541 042-01	5692 021-01
C4-DNE-MZ40X-I	5641 005-136	5641 070-07	5253 006-12	3611 008-101	5541 042-01	5692 021-01



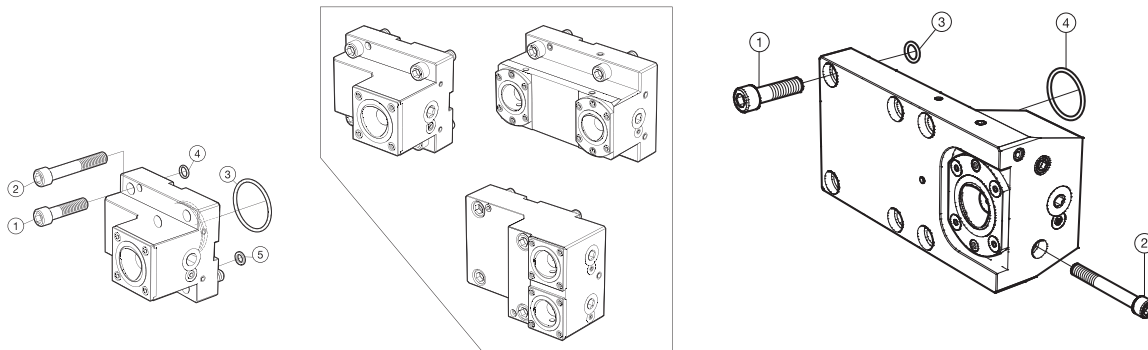
Internal

	Spare parts					
	1	2	3	4	5	6
Ordering code	O-ring	Kantseal	Adaptor	Nozzle	Screw	Angular adjustment set
C4-DNI-MZ40V-E	5641 005-136	5641 070-07	5253 006-12	5691 036-01	3213 010-358	
C4-DNI-MZ40V-I	5641 005-136	5641 070-07	5253 006-12	5691 036-01	3213 010-358	
C4-DNI-MZ40X-E	5641 005-136	5641 070-07	5253 006-12	5691 036-01	3213 010-358	5337 003-01
C4-DNI-MZ40X-I	5641 005-136	5641 070-07	5253 006-12	5691 036-01	3213 010-358	5337 003-01
C5-DNI-MZ50V-E	5641 005-112	5641 070-07	5253 006-01	5691 036-01	3213 010-358	
C5-DNI-MZ50V-I	5641 005-112	5641 070-07	5253 006-01	5691 036-01	3213 010-358	

Mori Seiki

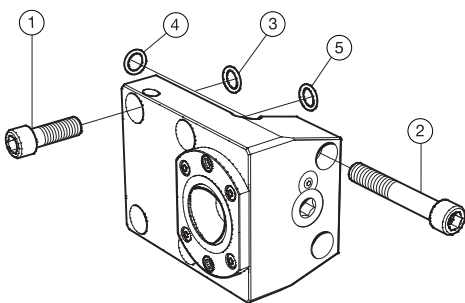
Machine adapted clamping units

External



Spare parts					
	1	2	3	4	5
Ordering code	Screw	Screw	O-ring	O-ring	Kantseal
C4-TR/LE-MS40A	3212 010-465		5641 005-110	5641 001-93	5641 070-04
C4-TR/LE-MS40A-DT	3212 010-465		5641 005-110	5641 001-93	5641 070-04
C4-TR/LE-MS40A-YT	3212 010-466		5641 005-110	5641 001-93	5641 070-04
C4-TR/LE-MS60A	3212 010-516		5641 005-109	5641 001-97	5641 070-05
C4-TR/LE-MS60A-DT	3212 010-516		5641 005-109	5641 001-97	5641 070-05
C4-TR/LE-MS60A-YT	3212 010-515	3212 010-521	5641 005-109	5641 001-97	5641 070-05
C5-TR/LE-MS60A	3212 010-516		5641 005-109	5641 001-97	5641 070-05
C5-TR/LE-MS60A-DT	3212 010-516		5641 005-109	5641 001-97	5641 070-05

Spare parts				
	1	2	3	4
Ordering code	Screw	Screw	Kantseal	O-ring
C6-TR/LE-MS75A	3212 010-566		5641 070-08	5641 005-114
C6-TR/LE-MS110A	3212 010-567	3212 010-522	5641 070-08	



Spare parts		
	1	2
Ordering code	Screw	Screw
C4-TR/LE-MS-A	3212 010-513	3212 010-412
C5-TR/LE-MS-C	3212 010-566	
C6-TR/LE-MS-C	3212 010-564	3212 010-568

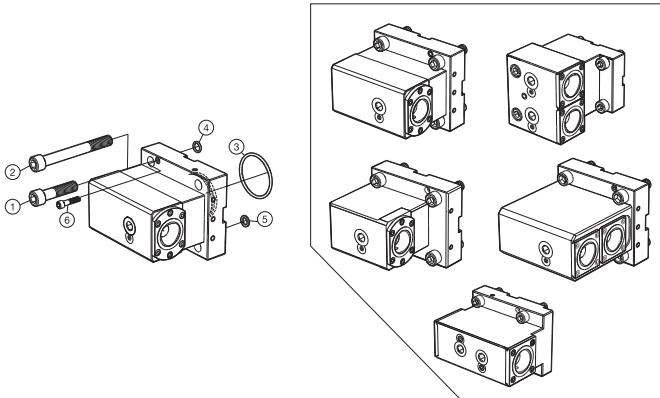
Note!

Clamping unit spare parts are the same as the type 2085 or type 2090, see spare part section in Turning tools 2012.

Mori Seiki

Machine adapted clamping units

Internal



	Spare parts				
	1	2	3	4	5
Ordering code	Screw	Screw	O-ring	O-ring	Kantseal
C4-TR/LI-MS40A	3212 010-475		5641 005-110	5641 001-93	5641 070-04
C4-TR/LI-MS40A-DT	3212 010-475		5641 005-110	5641 001-93	5641 070-04
C4-TR/LI-MS40A-SS*	3212 010-475	3212 010-464	5641 005-110	5641 001-93	5641 070-04
C4-TR/LI-MS40A-YT	3212 010-475	3212 010-463	5641 005-110	5641 001-93	5641 070-04
C4-TR/LI-MS60A	3212 010-516		5641 005-109	5641 001-97	5641 070-05
C4-TR/LI-MS60A-SS	3212 010-516		5641 005-109	5641 001-97	5641 070-05
C4-TR/LI-MS60A-XT	3212 010-516		5641 005-109	5641 001-97	5641 070-05
C5-TR/LI-MS60A	3212 010-516		5641 005-109	5641 001-97	5641 070-05
C5-TR/LI-MS60A-DE	3212 010-516		5641 005-109	5641 001-97	5641 070-05
C5-TR/LI-MS60A-DT	3212 010-516		5641 005-109	5641 001-97	5641 070-05
C5-TR/LI-MS60A-ET	3212 010-516		5641 005-109	5641 001-97	5641 070-05
C5-TR/LI-MS60A-SS	3212 010-516		5641 005-109	5641 001-97	5641 070-05
C6-TR/LI-MS60A	3212 010-516	5512 060-25	5641 005-109	5641 001-97	5641 070-05
	Spare parts				
	6	6b			
Ordering code	Screw	Screw			
C4-TR/LI-MS40A					
C4-TR/LI-MS40A-DT					
C4-TR/LI-MS40A-SS*					
C4-TR/LI-MS40A-YT					
C4-TR/LI-MS60A					
C4-TR/LI-MS60A-SS					
C4-TR/LI-MS60A-XT					
C5-TR/LI-MS60A					
C5-TR/LI-MS60A-DE	3214 020-411				
C5-TR/LI-MS60A-DT	3214 020-411				
C5-TR/LI-MS60A-ET	3214 020-411				
C5-TR/LI-MS60A-SS					
C6-TR/LI-MS60A	3214 020-411	5514 011-03			

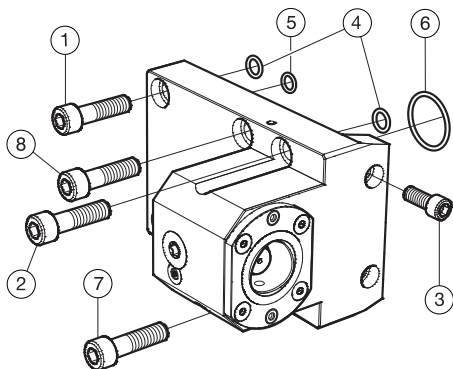
Note!

Clamping unit spare parts are the same as the type 2085 or type 2090, see spare part section in Turning tools 2012.

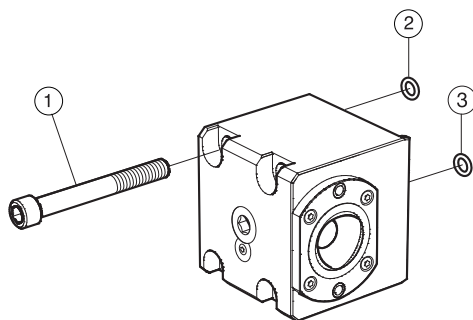
Mori Seiki

Machine adapted clamping units

Internal



Spare parts					
	1	2	3	4	5
Ordering code	Screw	Screw	Screw	O-ring	Kantseal
C6-TR/LI-MS75A	3212 010-566	3212 010-576		5641 001-105	5641 070-08
C6-TR/LI-MS110A	3212 010-567		3212 010-512		5641 070-08
Spare parts					
	6	7	8		
Ordering code	O-ring	Screw	Screw		
C6-TR/LI-MS75A	5641 005-114	3214 010-415	5514 010-14		
C6-TR/LI-MS110A					



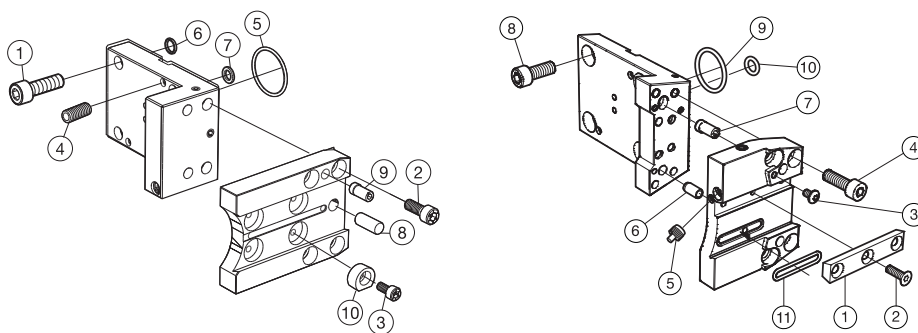
Spare parts			
	1	2	3
Ordering code	Screw	O-ring	O-ring
C4-TR/LI-MS-A	3212 010-517	5641 001-122	
C5-TR/LI-MS-A	3212 010-517	5641 001-122	
C6-TR/LI-MS-B	3212 010-572		5641 001-127
C6-TR/LI-MS-C	3212 010-573		
C8-TR/LI-MS-C	3212 010-573		

Note!

Clamping unit spare parts are the same as the type 2090, see spare part section in Turning tools 2012.

Mori Seiki

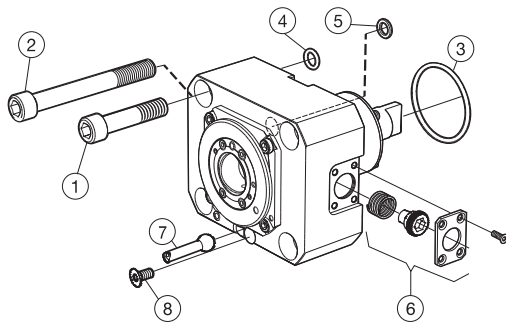
Holder for parting blade



	Spare parts				
	1	2	3	4	5
Ordering code	Screw	Screw	Screw	Screw	O-ring
APB-TNE-MS40A-25	3212 010-463	3212 010-410	3212 010-357	3214 010-360	5641 005-110
APB-TNE-MS60A-25	3212 010-513	3212 010-410	3212 010-357	3214 010-412	5641 005-109
	Spare parts				
	6	7	8	9	10
Ordering code	O-ring	Kantseal	Parallel pin	Eccentric pin	Wedge
APB-TNE-MS40A-25	5641 001-93	5641 070-04	3111 020-611	5333 011-01	5431 123-01
APB-TNE-MS60A-25		5641 070-05	3111 020-611	5333 011-01	5431 123-01
	Spare parts				
	1	2	3	4	5
Ordering code	Wedge	Screw	Screw	Screw	Nozzle
APBR/L-MS40A-25-HP	5431 115-06	3213 013-309	3212 100-306	3212 010-411	5691 034-01
APBR/L-MS60A-25-HP	5431 115-06	3213 013-309	3212 100-306	3212 010-411	5691 034-01
	Spare parts				
	6	7	8	9	10
Ordering code	Eccentric	Parallel pin	Screw	O-ring	Kantseal
APBR/L-MS40A-25-HP	5333 011-01	3111 050-611	3212 010-461	5641 005-110	5641 070-04
APBR/L-MS60A-25-HP	5333 011-01	3111 050-609	3212 010-511	5641 005-109	5641 070-05
	Spare parts				
	11				
Ordering code	O-ring				
APBR/L-MS40A-25-HP	5641 005-100				
APBR/L-MS60A-25-HP	5641 005-100				

Mori Seiki

Machine adapted driven tool holders

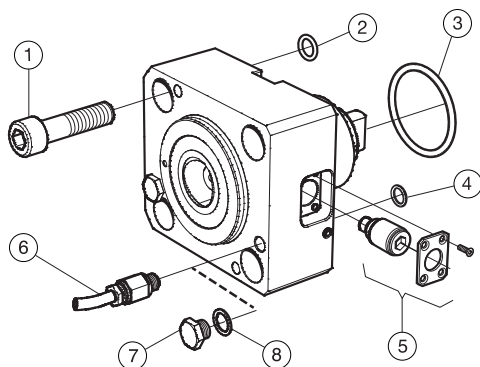


External

Spare parts					
	1	2	3	4	5
Ordering code	Screw	Screw	O-ring	O-ring	Kantseal
C3-DNE-MS40A-E-HS	3212 010-468		5641 005-110	5641 001-93	5641 070-04
C3-DNE-MS40A-I	3212 010-468		5641 005-110	5641 001-93	5641 070-04
C4-DNE-MS40A-E	3212 010-466		5641 005-110	5641 001-93	5641 070-04
C4-DNE-MS60A-E	3212 010-517	3213 010-357	5641 005-109	5641 001-97	5641 070-05
C4-DNE-MS60A-E-HS	3212 010-519		5641 005-109	5641 001-97	5641 070-05
C4-DNE-MS60A-I	3212 010-517	3213 010-357	5641 005-109	5641 001-97	5641 070-05
C5-DNE-MS60A-E	3212 010-517	3213 010-357	5641 005-109	5641 001-97	5641 070-05
Spare parts					
	6	7	8		
Ordering code	Adaptor	Nozzle	Screw		
C3-DNE-MS40A-E-HS	5253 007-01	5691 036-01	3213 010-358		
C3-DNE-MS40A-I	5253 007-01	5691 036-01	3213 010-358		
C4-DNE-MS40A-E	5253 007-02	5691 036-01	3213 010-358		
C4-DNE-MS60A-E	5253 008-01	5691 036-01	3213 010-358		
C4-DNE-MS60A-E-HS	5253 006-15	5691 036-01	3213 010-358		
C4-DNE-MS60A-I	5253 008-01	5691 036-01	3213 010-358		
C5-DNE-MS60A-E	5253 008-02	5691 036-01	3213 010-358		

Mori Seiki

Machine adapted driven tool holders

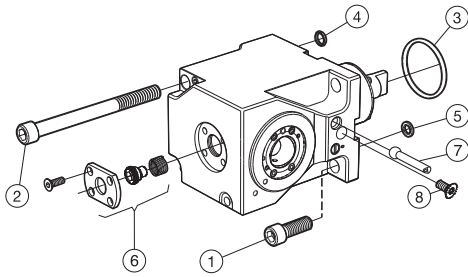


Spare parts					
	1	2	3	4	5
Ordering code	Screw	O-ring	O-ring	Kantseal	Adaptor
C5-DNE-MS75A-E	3212 010-570	5641 001-105	5641 005-114	5641 070-08	5253 006-05
C5-DNE-MS75A-I	3212 010-570	5641 001-105	5641 005-114	5641 070-08	5253 006-05
C6-DNE-MS110A-E	3212 010-566		5641 005-116	5641 070-08	5253 008-03
C6-DNE-MS110A-I	3212 010-566		5641 005-116	5641 070-08	5253 008-03

Spare parts			
	6	7	8
Ordering code	Coolant tube set	Pipe plug	Sealing ring
C5-DNE-MS75A-E	5691 029-02	5511 060-01	5541 042-03
C5-DNE-MS75A-I	5691 029-02	5511 060-01	5541 042-03
C6-DNE-MS110A-E	5692 029-02	5511 060-01	5541 042-03
C6-DNE-MS110A-I	5692 029-02	5511 060-01	5541 042-03

Mori Seiki

Machine adapted driven tool holders

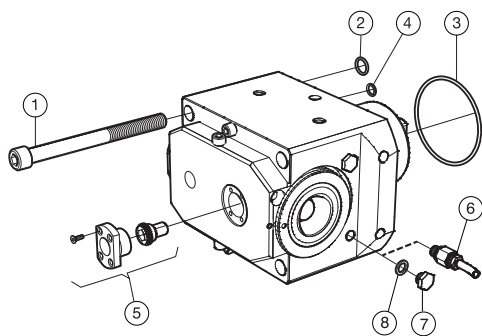


Internal

Spare parts					
	1	2	3	4	5
Ordering code	Screw	Screw	O-ring	O-ring	Kantseal
C3-DNI-MS40A-E-HS	3212 010-475		5641 005-110	5641 001-93	5641 070-04
C3-DNI-MS40A-I-HS	3212 010-475		5641 005-110	5641 001-93	5641 070-04
C4-DNI-MS40A-E	3212 010-462		5641 005-110	5641 001-93	5641 070-04
C4-DNI-MS40A-I	3212 010-462		5641 005-110	5641 001-93	5641 070-04
C4-DNI-MS60A-E	3212 010-513	5512 060-25	5641 005-109	5641 001-97	5641 070-05
C4-DNI-MS60A-E-HS	3212 010-526		5641 005-109	5641 001-97	5641 070-05
C4-DNI-MS60A-I	3212 010-513	5512 060-25	5641 005-109	5641 001-97	5641 070-05
C4-DNI-MS60A-I-HS	3212 010-526		5641 005-109	5641 001-97	5641 070-05
C5-DNI-MS60A-E	3212 010-513	5512 060-25	5641 005-109	5641 001-97	5641 070-05
C5-DNI-MS60A-I	3212 010-513	5512 060-25	5641 005-109	5641 001-97	5641 070-05
Spare parts					
	6	7	8		
Ordering code	Adaptor	Nozzle	Screw		
C3-DNI-MS40A-E-HS	5253 011-03	5691 036-01	3213 010-358		
C3-DNI-MS40A-I-HS	5253 011-03	5691 036-01	3213 010-358		
C4-DNI-MS40A-E	5253 006-12	5691 036-01	3213 010-358		
C4-DNI-MS40A-I	5253 006-12	5691 036-01	3213 010-358		
C4-DNI-MS60A-E	5253 006-09	5691 036-01	3213 010-358		
C4-DNI-MS60A-E-HS	5253 006-12	5691 036-01	3213 010-358		
C4-DNI-MS60A-I	5253 006-09	5691 036-01	3213 010-358		
C4-DNI-MS60A-I-HS	5253 006-12	5691 036-01	3213 010-358		
C5-DNI-MS60A-E	5253 006-13	5691 036-01	3213 010-358		
C5-DNI-MS60A-I	5253 006-13	5691 036-01	3213 010-358		

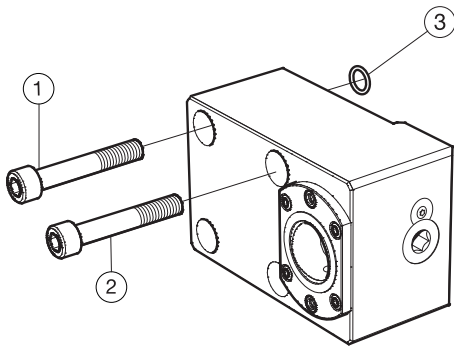
Mori Seiki

Machine adapted driven tool holders

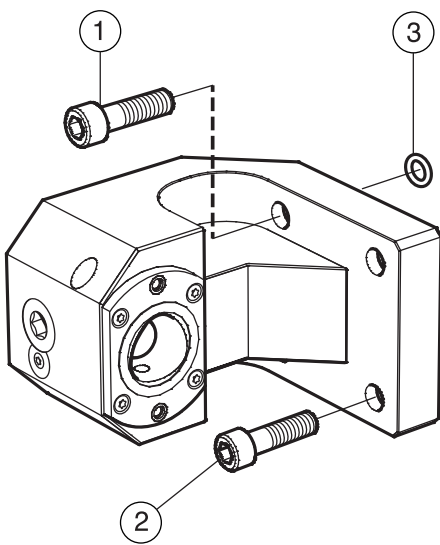


Spare parts					
	1	2	3	4	5
Ordering code	Screw	O-ring	O-ring	Kantseal	Adaptor
C5-DNI-MS75A-E	3212 010-579	5641 001-105	5641 005-114	5641 070-08	5253 011-01
C5-DNI-MS75A-I	3212 010-579	5641 001-105	5641 005-114	5641 070-08	5253 011-01
C6-DNI-MS110A-E	3212 010-579		5641 005-116	5641 070-08	5253 011-02
C6-DNI-MS110A-I	3212 010-579		5641 005-116	5641 070-08	5253 011-02
Spare parts					
	6	7	8		
Ordering code	Coolant tube set	Pipe plug	Sealing ring		
C5-DNI-MS75A-E	5692 029-02	5511 060-01	5541 042-03		
C5-DNI-MS75A-I	5692 029-02	5511 060-01	5541 042-03		
C6-DNI-MS110A-E	5692 029-02	5511 060-01	5541 042-03		
C6-DNI-MS110A-I	5692 029-02	5511 060-01	5541 042-03		

Murata



	Spare parts		
	1	2	3
Ordering code	Screw	Screw	O-ring
C4-TR/LE-MA-A	3212 010-468		5641 001-93
C4-TR/LE-MA-B	3212 010-545	3212 010-514	5641 001-97



	Spare parts		
	1	2	3
Ordering code	Screw	Screw	O-ring
C4-TR/LI-MA-A	3212 010-463		5641 001-93
C4-TR/LI-MA-B	3212 010-512	5512 060-25	5641 001-97

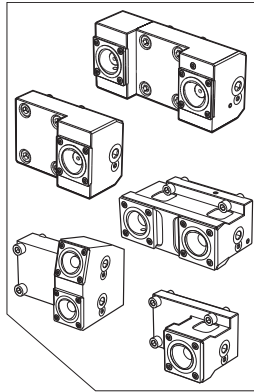
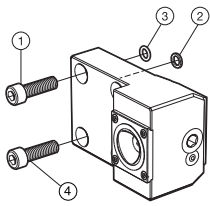
Note!

Clamping unit spare parts are the same as the type 2085 or type 2090, see spare part section in Turning tools 2012.

Nakamura Tome

Machine adapted clamping units

CBI external



	Spare parts			
	1	2	3	4
Ordering code	Screw	Kantseal	O-ring	Screw
C3-TR/LE-NA44A	3212 010-412	5641 070-04	5641 001-93	
C3-TR/LE-NA55A-TT	3212 010-463	5641 070-04	5641 005-79	
C4-TR/LE-NA55A	3212 010-463	5641 070-04	5641 005-79	
C4-TR/LE-NA55A-DT	3212 010-463	5641 070-04	5641 005-79	
C4-TR/LE-NA65A	3212 010-516	5641 070-04	5641 001-34	
C4-TR/LE-NA65A-DT	3212 010-516	5641 070-04	5641 001-34	
C4-TR/LE-NA65A-TT	3212 010-515	5641 070-04	5641 001-34	
C5-TR/LE-NA75A	3212 010-513	5641 070-07	5641 001-97	3212 010-545

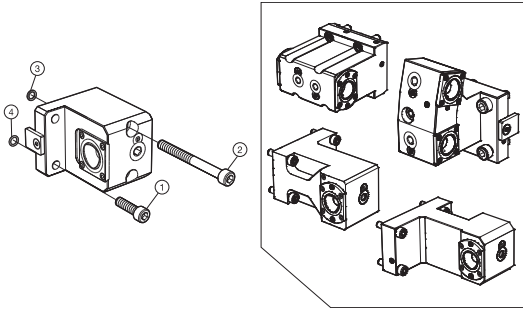
Note!

Clamping unit spare parts are the same as the type 2085, see spare part section in Turning tools 2012.

Nakamura Tome

Machine adapted clamping units

CBI internal



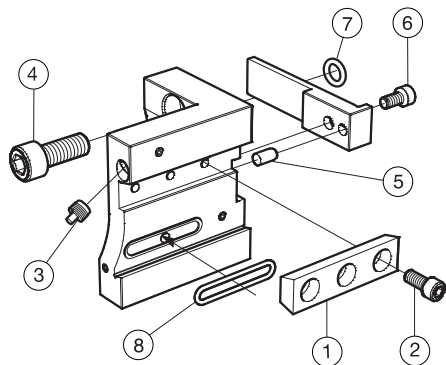
	Spare parts			
	1	2	3	4
Ordering code	Screw	Screw	Kantseal	O-ring
C3-TR/LI-NA44A	3212 010-412		5641 070-04	5641 001-93
C3-TR/LI-NA55A-TT	3212 010-463	3212 010-473	5641 070-04	5641 005-79
C4-TR/LI-NA55A	3212 010-463	3212 010-473	5641 070-04	5641 005-79
C4-TR/LI-NA65A	3212 010-514		5641 070-04	5641 001-34
C4-TR/LI-NA65A-DT	3212 010-514		5641 070-04	5641 001-97
C4-TR/LI-NA65A-SS	3212 010-514		5641 070-04	5641 001-34
C4-TR/LI-NA65A-TT	3212 010-514	3212 010-524	5641 070-04	5641 001-34
C5-TR/LI-NA75A	3212 010-526		5641 070-07	5641 001-97

Note!

Clamping unit spare parts are the same as the type 2085, see spare part section in Turning tools 2012.

Nakamura Tome

Holder for parting blade



Spare parts					
	1	2	3	4	5
Ordering code	Wedge	Screw	Nozzle	Screw	Parallel pin
APBR/L-NA44A-21-HP	5431 115-05	3212 013-307	5691 034-01	3212 010-411	3111 020-557
APBR/L-NA55A-25-HP	5431 115-05	3212 013-307	5691 034-01	3212 010-461	3111 020-557
APBR/L-NA65A-25-HP	5431 115-05	3212 013-307	5691 034-01	3212 010-511	3111 020-557
Spare parts					
	6	7	8		
Ordering code	Screw	Kantseal	O-ring		
APBR/L-NA44A-21-HP	3212 010-358	5641 070-05	5641 005-133		
APBR/L-NA55A-25-HP	3212 010-358	5641 070-05	5641 005-133		
APBR/L-NA65A-25-HP	3212 010-358	5641 070-05	5641 005-133		

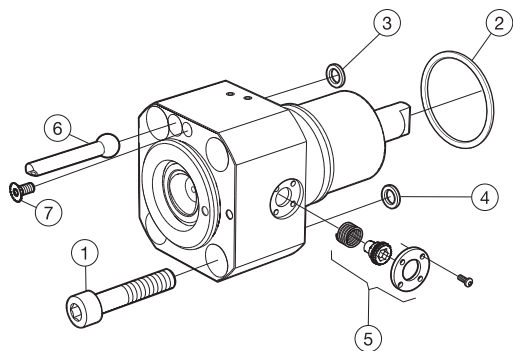
Nakamura Tome

Machine adapted driven tool holders

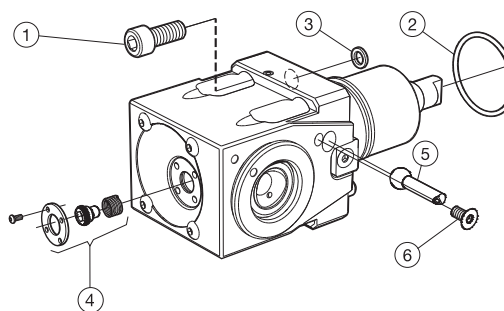
CBI



External



Internal



External

Spare parts							
	1	2	3	4	5	6	7
Ordering code	Screw	O-ring	Kantseal	O-ring	Adaptor	Nozzle	Screw
C3-DNE-NA55A-E	3212 010-466	5641 001-106	5641 070-04	5641 005-79	5253 009-01	5691 036-01	3213 010-358
C3-DNE-NA55A-I	3212 010-466	5641 001-106	5641 070-04	5641 005-79	5253 009-01	5691 036-01	3213 010-358
C4-DNE-NA65A-E	3212 010-516	5641 005-113	5641 070-04	5641 001-34	5253 007-02	5691 036-01	3213 010-358
C4-DNE-NA65A-I	3212 010-516	5641 005-113	5641 070-04	5641 001-34	5253 007-02	5691 036-01	3213 010-358
C5-DNE-NA75A-E	3212 010-519	5641 005-132	5641 070-07	5641 001-34	5253 012-01	5691 036-01	3213 010-358
C5-DNE-NA75A-I	3212 010-519	5641 005-132	5641 070-07	5641 001-34	5253 012-01	5691 036-01	3213 010-358

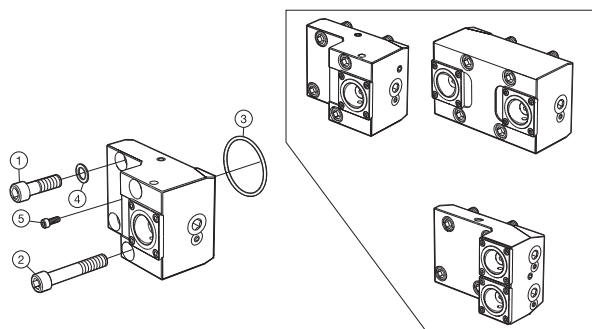
Internal

Spare parts						
	1	2	3	4	5	6
Ordering code	Screw	O-ring	Kantseal	Adaptor	Nozzle	Screw
C3-DNI-NA55A-E	3212 010-461	5641 001-106	5641 070-04	5253 009-02	5691 036-01	3213 010-358
C3-DNI-NA55A-I	3212 010-461	5641 001-106	5641 070-04	5253 009-02	5691 036-01	3213 010-358
C4-DNI-NA65A-E	3212 010-511	5641 005-113	5641 070-05	5253 006-12	5691 036-01	3213 010-358
C4-DNI-NA65A-I	3212 010-511	5641 005-113	5641 070-05	5253 006-12	5691 036-01	3213 010-358
C5-DNI-NA75A-E	3212 010-513	5641 005-132	5641 070-07	5253 012-01	5691 036-01	3213 010-358
C5-DNI-NA75A-I	3212 010-513	5641 005-132	5641 070-07	5253 012-01	5691 036-01	3213 010-358

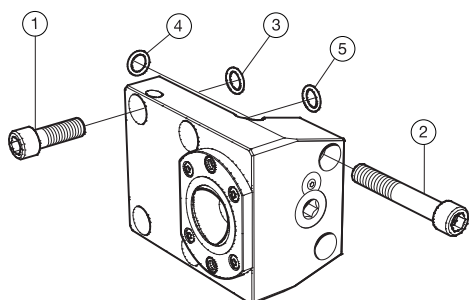
Okuma

Machine adapted clamping units

CBI external



Spare parts					
	1	2	3	4	5
Ordering code	Screw	Screw	O-ring	Shim ring	Screw
C4-TR/LE-OK55A*	3212 010-463		5641 001-106		3214 010-361
C4-TR/LE-OK55A-DT*	3212 010-466		5641 001-106		3214 010-364
C4-TR/LE-OK60A	3212 010-514	3212 010-520	5641 001-107	3411 112-306	
C4-TR/LE-OK60A-DT	3212 010-520		5641 001-107	3411 112-306	
C4-TR/LE-OK60A-YT	3212 010-514		5641 001-107	3411 112-306	
C5-TR/LE-OK60B	3212 010-514	3212 010-520	5641 001-107	3411 112-306	
C5-TR/LE-OK60B-YT	3212 010-514		5641 001-107	3411 112-306	



Spare parts		
	1	5
Ordering code	Screw	O-ring
C4-TR/LE-OK-A	3212 010-461	
C5-TR/LE-OK-A	3212 010-461	
C4-TR/LE-OK-B	3212 010-512	
C5-TR/LE-OK-B	3212 010-514	
C5-TR/LE-OK-E	3212 010-565	5641 001-129
C5-TR/LE-OK-F	3212 010-566	5641 001-129

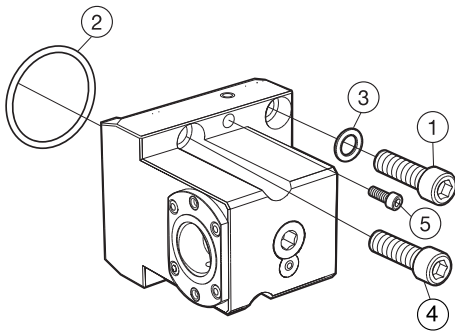
Note!

Clamping unit spare parts are the same as the type 2085 or type 2090, see spare part section in Turning tools 2012.

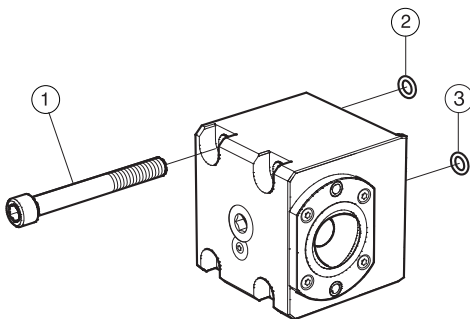
Okuma

Machine adapted clamping units

CBI internal



	Spare parts		
	1	2	3
Ordering code	Screw	O-ring	Shim ring
C4-TR/LI-OK60A	3212 010-514	5641 001-107	3411 112-306
C4-TR/LI-OK60A-SS	3212 010-514	5641 001-107	3411 112-306
C5-TR/LI-OK60B	3212 010-514	5641 001-107	3411 112-306
C4-TR/LI-OK60C	3212 010-514	5641 001-107	3411 112-306
C4-TR/LI-OK60C-DT	3212 010-514	5641 001-107	3411 112-306



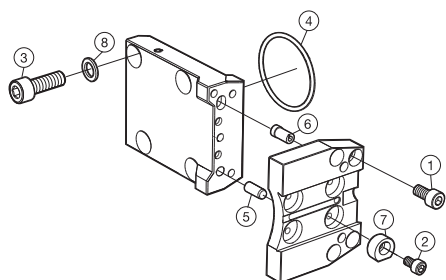
	Spare parts		
	1	2	3
Ordering code	Screw	O-ring	O-ring
C4-TR/LI-OK-A	3212 010-465	5641 001-97	5641 001-129
C5-TR/LI-OK-A	3212 010-469		
C5-TR/LI-OK-B	3212 010-520	5641 001-129	5641 001-129
C5-TR/LI-OK-E	3212 010-570		
C6-TR/LI-OK-F	3212 010-572		

Note!

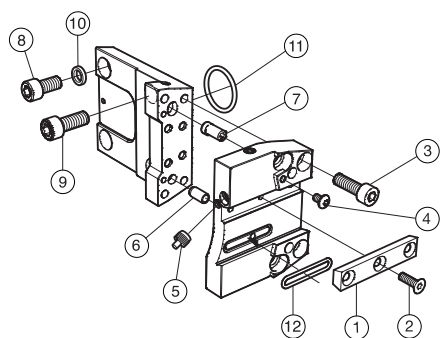
Clamping unit spare parts are the same as the type 2090, see spare part section in Turning tools 2012.

Okuma

Holder for parting blade



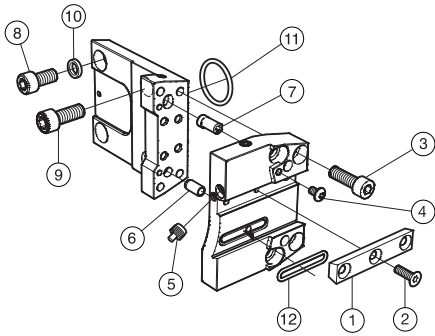
	Spare parts				
	1	2	3	4	5
Ordering code	Screw	Screw	Screw	O-ring	Parallel pin
APB-TNE-OK60A-25	3212 010-511	3212 010-409	3212 010-357	5641 001-107	3111 020-611
	Spare parts				
	6	7	8		
Ordering code	Eccentric pin	Wedge	Shim ring		
APB-TNE-OK60A-25	5333 011-01	5431 123-01	3411 112-306		



	Spare parts				
	1	2	3	4	5
Ordering code	Wedge	Screw	Screw	Screw	Nozzle
APBR/L-OK55A-21-HP	5431 115-05	3212 013-307	3212 010-410		5691 034-01
APBR/L-OK60A-25-HP	5431 115-06	3213 013-309	3212 010-411	3212 100-306	5691 034-01
	Spare parts				
	6	7	8	10	11
Ordering code	Parallel pin	Eccentric	Screw	Shim ring	O-ring
APBR/L-OK55A-21-HP	3111 020-557	5333 011-01	3212 010-463		5641 001-106
APBR/L-OK60A-25-HP	3111 050-609	5333 011-01	3212 010-512	3411 112-306	5641 001-107
	Spare parts				
	12				
Ordering code	O-ring				
APBR/L-OK55A-21-HP	5641 005-133				
APBR/L-OK60A-25-HP	5641 005-100				

Okuma

Holder for parting blade

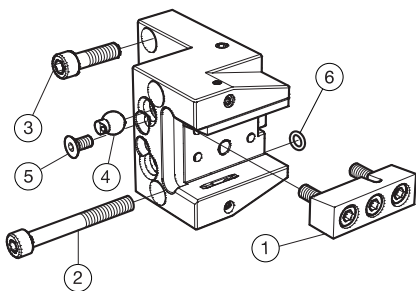


	Spare parts					
	1	2	3	4	5	
Ordering code	Wedge	Screw	Screw	Screw	Nozzle	
APBR/L-OK-A-25-HP	5431 115-06	3213 013-309	3212 010-411	3212 100-306	5691 034-01	
APBR/L-OK-B-25-HP	5431 115-06	3213 013-309	3212 010-411	3212 100-306	5691 034-01	
	Spare parts					
	6	7	8	12		
Ordering code	Parallel pin	Eccentric	Screw	O-ring		
APBR/L-OK-A-25-HP	3111 050-611	5333 011-01	3212 010-461	5641 005-100		
APBR/L-OK-B-25-HP	3111 050-611	5333 011-01	3212 010-511	5641 005-100		

Okuma

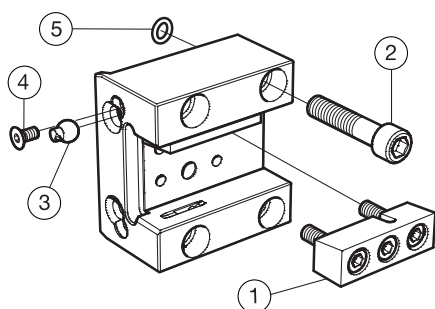
Holder for shank tools

External



Spare parts					
	1	2	3	4	5
Ordering code	Wedge set	Screw	Screw	Nozzle	Screw
ASH-TNE-OK-A-25-HP	5431 130-04	3212 010-465	3212 010-512	5691 034-04	3213 010-358
ASH-TNE-OK-B-25-HP	5431 130-04	3212 010-516		5691 034-04	3213 010-358
Spare parts					
	6				
Ordering code	O-ring				
ASH-TNE-OK-A-25-HP					
ASH-TNE-OK-B-25-HP	5641 001-97				

Internal

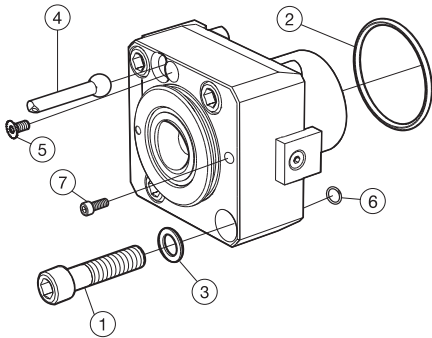


Spare parts					
	1	2	3	4	5
Ordering code	Wedge set	Screw	Nozzle	Screw	O-ring
ASH-TNI-OK-A-25-HP	5431 130-03	3212 010-466	5691 034-04	3213 010-358	
ASH-TNI-OK-B-25-HP	5431 130-03	3212 010-517	5691 034-04	3213 010-358	5641 001-97

Okuma

Machine adapted driven tool holders

CBI



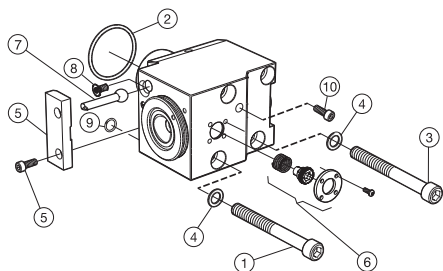
External

Spare parts					
	1	2	3	4	5
Ordering code	Screw	O-ring	Shim ring	Nozzle	Screw
C3-DNE-OK55A-E	3212 010-467	5641 001-106		5691 036-01	3213 010-358
C3-DNE-OK55A-I	3212 010-467	5641 001-106		5691 036-01	3213 010-358
C4-DNE-OK60A-E	3212 010-516	5641 001-107	3411 112-306	5691 036-02	3213 010-358
C4-DNE-OK60A-I	3212 010-516	5641 001-107	3411 112-306	5691 036-02	3213 010-358
C4-DNE-OK60B-E	3212 010-517	5641 001-107	3411 112-306	5691 036-01	3213 010-358
C4-DNE-OK60B-I	3212 010-517	5641 001-107	3411 112-306	5691 036-01	3213 010-358
C4-DNE-OK60C-E	3212 010-516	5641 001-107	3411 112-306	5691 036-02	3213 010-358
C4-DNE-OK60C-I	3212 010-516	5641 001-107	3411 112-306	5691 036-02	3213 010-358
Spare parts					
	6	7			
Ordering code	O-ring	Screw			
C3-DNE-OK55A-E	5641 001-93	3214 010-365			
C3-DNE-OK55A-I	5641 001-93	3214 010-365			
C4-DNE-OK60A-E					
C4-DNE-OK60A-I					
C4-DNE-OK60B-E					
C4-DNE-OK60B-I					
C4-DNE-OK60C-E					
C4-DNE-OK60C-I					

Okuma

Machine adapted driven tool holders

CBI



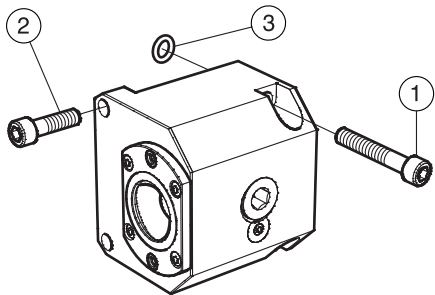
Internal

Spare parts					
	1	2	3	4	5
Ordering code	Screw	O-ring	Screw	Shim ring	Adjustment plate
C3-DNI-OK55A-E	3212 010-473	5641 001-106	3212 010-461		
C3-DNI-OK55A-I	3212 010-473	5641 001-106	3212 010-461		
C4-DNI-OK60A-E	3212 010-524	5641 001-107		3411 112-306	5336 004-01
C4-DNI-OK60A-I	3212 010-524	5641 001-107		3411 112-306	5336 004-01
C4-DNI-OK60B-E	3212 010-526	5641 001-107	3212 010-524	3411 112-306	5336 005-01
C4-DNI-OK60B-I	3212 010-526	5641 001-107	3212 010-524	3411 112-306	5336 005-01
C4-DNI-OK60C-E	3212 010-526	5641 001-107		3411 112-306	5336 004-01
C4-DNI-OK60C-I	3212 010-526	5641 001-107		3411 112-306	5336 004-01

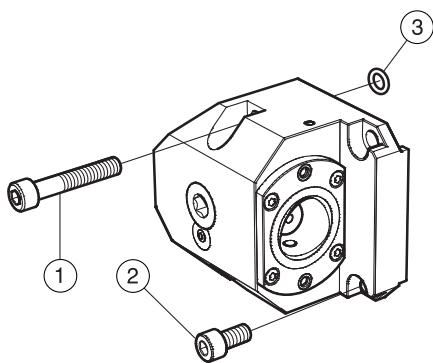
Spare parts					
	6	7	8	9	10
Ordering code	Adaptor	Nozzle	Screw	O-ring	Screw
C3-DNI-OK55A-E	5253 011-03	5691 036-01	3213 010-358	5641 005-79	5514 010-13
C3-DNI-OK55A-I	5253 011-03	5691 036-01	3213 010-358	5641 005-79	5514 010-13
C4-DNI-OK60A-E	5253 006-12	5691 036-02	3213 010-358		
C4-DNI-OK60A-I	5253 006-12	5691 036-02	3213 010-358		
C4-DNI-OK60B-E	5253 006-12	5691 036-01	3213 010-358		
C4-DNI-OK60B-I	5253 006-12	5691 036-01	3213 010-358		
C4-DNI-OK60C-E	5253 006-12	5691 036-02	3213 010-358		
C4-DNI-OK60C-I	5253 006-12	5691 036-02	3213 010-358		

Fuji

Machine adapted clamping units



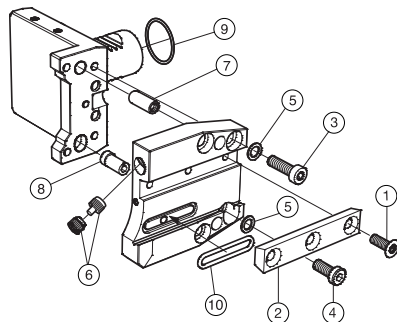
	Spare parts			
	1	2	3	
Ordering code	Screw	Screw	O-ring	
C4-TR/LE-FJ-A	3212 010-411	3212 010-415	5641 001-93	



	Spare parts			
	1	2	3	
Ordering code	Screw	Screw	O-ring	
C4-TR/LI-FJ-A	3212 010-415	3212 010-409	5641 001-93	

Parting blade adaptors

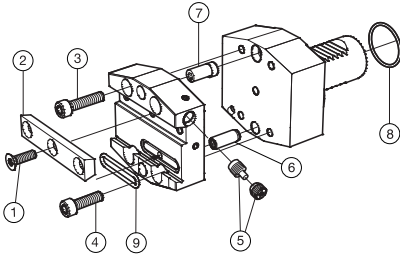
Straight design



Spare parts							
	1	2	3	4	5	6b	6a
Ordering code	Screw	Wedge	Screw	Screw	Locking washer	Nozzle	Screw
APBR/L-VDI25-21-HP	3213 013-349	5431 115-06	3212 020-360	3212 020-399	5541 041-03	5691 034-01	5643 019-01
APBR/L-VDI30-21-HP	3213 013-349	5431 115-06	3212 020-360	3212 020-399	5541 041-03	5691 034-01	5643 019-01
APBR/L-VDI30-25-HP	3212 013-307	5431 115-05	3212 010-411			5691 034-01	5643 019-01
APBR/L-VDI40-25-HP	3212 013-309	5431 115-06	3212 010-411			5691 034-01	5643 019-01
Spare parts							
	7	8	9	10			
Ordering code	Parallel pin	Eccentric pin	O-ring	O-ring			
APBR/L-VDI25-21-HP	3111 050-611	5333 011-01	5641 005-103	5641 005-133			
APBR/L-VDI30-21-HP	3111 050-611	5333 011-01	5641 005-134	5641 005-133			
APBR/L-VDI30-25-HP	3111 050-609	5333 011-01	5641 005-134	5641 005-100			
APBR/L-VDI40-25-HP	3111 050-612	5333 011-01	5641 005-135	5641 005-100			

Parting blade adaptors

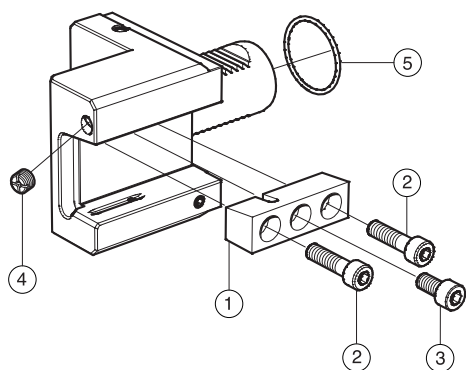
Angled design



Spare parts							
	1	2	3	4	5b	5a	6
Ordering code	Screw	Wedge	Screw	Screw	Nozzle	Screw	Parallel pin
APBA-R/L-VDI30-21-HP	3212 013-309	5431 115-06	3212 010-361	3212 010-360	5691 034-01	5643 019-01	3111 050-611
APBA-R/L-VDI30-25-HP	3212 013-309	5431 115-06	3212 010-411		5691 034-01	5643 019-01	3111 050-611
APBA-R/L-VDI40-25-HP	3212 013-309	5431 115-06	3212 010-411		5691 034-01	5643 019-01	3111 050-611
APBA-R/L-VDI50-25-HP	3212 013-309	5431 115-06	3212 010-411		5691 034-01	5643 019-01	3111 050-611
Spare parts							
	7	8	9				
Ordering code	Eccentric pin	O-ring	O-ring				
APBA-R/L-VDI30-21-HP	5333 011-01	5641 005-134	5641 005-133				
APBA-R/L-VDI30-25-HP	5333 011-01	5641 005-134	5641 005-100				
APBA-R/L-VDI40-25-HP	5333 011-01	5641 005-135	5641 005-100				
APBA-R/L-VDI50-25-HP	5333 011-01	5641 001-119	5641 005-100				

Shank tool adaptors

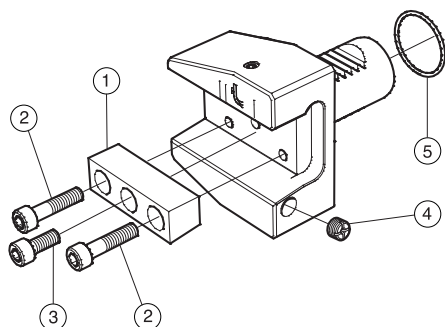
Straight design



Spare parts					
	1	2	3	4	5
Ordering code	Clamp	Screw	Screw	Screw	O-ring
ASHR/L-VDI30-20-HP	5431 115-07	3212 010-361	3212 010-399	5643 019-01	5641 005-134
ASHR/L-VDI40-25-HP	5431 115-08	3212 010-412	3212 010-409	5643 019-01	5641 005-135

Shank tool adaptors

Angled design



	Spare parts					
	1	2	3	4	5	
Ordering code	Wedge	Screw	Screw	Screw	O-ring	
ASHA-R/L-VDI30-20-HP	5431 115-07	3212 010-399	3212 010-361	5643 019-01	5641 005-134	
ASHA-R/L-VDI40-25-HP	5431 115-08	3212 010-411	3212 010-409	5643 019-01	5641 005-135	
ASHA-R/L-VDI50-25-HP	5431 115-08	3212 010-411	3212 010-409	5643 019-01	5641 001-119	