

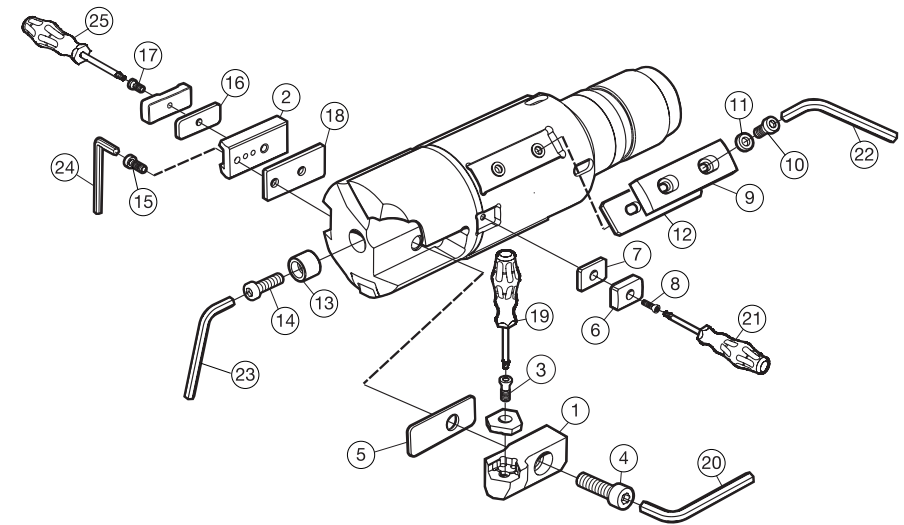
SANDVIK
Coromant

CoroDrill® 818

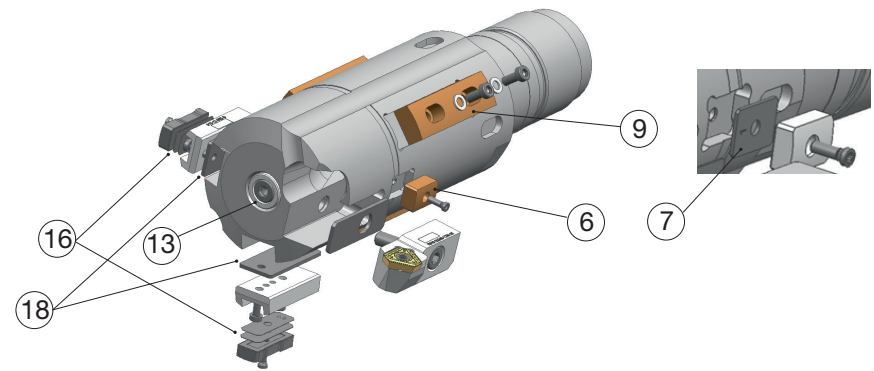
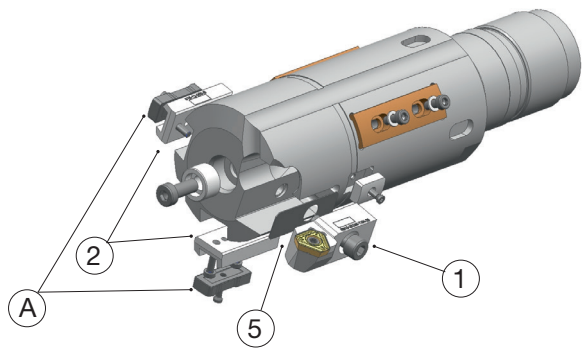


Spare parts for CoroDrill® 818

Product and spare part overview, CoroDrill® 818	ENG 4 - 7
产品和备件概述 CoroDrill® 818	CHI 8 - 11
CoroDrill® 818 – Produit et pièces détachées	FRE 12 - 15
Übersicht – Produkte und Ersatzteile, CoroDrill® 818	GER 16 - 19
Panoramica – Prodotto e parti di ricambio CoroDrill® 818	ITA 20 - 23
製品および部品一覧 コロドリル818	JPN 24 - 27
Visão geral do produto e componentes, CoroDrill® 818	POR 28 - 31
Обзор продукции и комплектующих, CoroDrill® 818	RUS 32 - 35
Descripción del producto y de las piezas de repuesto, CoroDrill® 818	SPA 36 - 39



- | | |
|-------------------------|----------------|
| ① Peripheral cartridge | ⑭ Screw |
| ② Pad shoes | ⑮ Screw |
| ③ Insert screw | ⑯ Pad shim set |
| ④ Screw | ⑰ Screw |
| ⑤ Cartridge shim set | ⑱ Shim |
| ⑥ Pad | ⑲ Screwdriver |
| ⑦ Safety pad shim set | ⑳ Key |
| ⑧ Screw | ㉑ Screwdriver |
| ⑨ Fibre pad blank | ㉒ Key |
| ⑩ Screw | ㉓ Key |
| ⑪ Washer | ㉔ Key |
| ⑫ Shim | ㉕ Screwdriver |
| ⑬ Seat protection plate | |



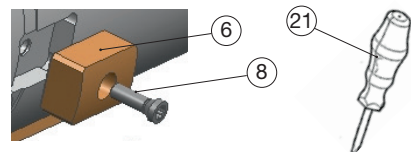
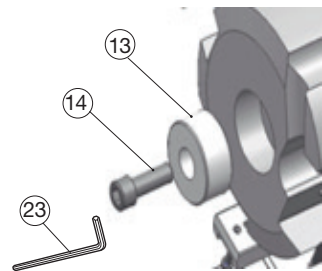
*) Quantity to order **) Radial adjustment

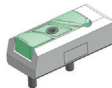



Ordering code Drill head	**) mm (inch)	Insert size	1 Peripheral cartridge	5 Cartridge shim set	2 Pad shoes	*)	A Pads	*)
A818.20-1D02.750S13B	(0.079)	TXN-25	R818-2024S-TXN-25	5549 128-10	N/A	0	430.32-12D65.0	2
A818.20-1D03.000S14B	(0.197)	TXN-25	R818-2024S-TXN-25	5549 128-10	818-12-065-S	2	430.32-12D75.0	2
A818.20-1D03.500S15B	(0.197)	TXN-25	R818-2024S-TXN-25	5549 128-10	818-12-065-S	2	430.32-12D85.0	2
A818.20-1D03.750S16B	(0.197)	TXN-40	R818-2532S-TXN-40	5549 128-20	818-12-065-S	2	430.32-12D95.0	2
A818.20-1D04.000S17B	(0.315)	TXN-40	R818-2532S-TXN-40	5549 128-20	818-16-110-S	2	430.32-16D100.0	2
A818.20-1D04.750S19B	(0.315)	TXN-40	R818-2532S-TXN-40	5549 128-20	818-16-110-S	2	430.32-16D120.0	2
A818.20-1D05.750S21B	(0.315)	TXN-40	R818-2532S-TXN-40	5549 128-20	818-16-110-S	2	430.32-16D140.0	2
A818.20-1D06.750S23B	(0.315)	TXN-40	R818-2532S-TXN-40	5549 128-20	818-16-110-S	2	430.32-16D170.0	2
A818.20-1D07.750S25B	(0.315)	TXN-40	R818-2532S-TXN-40	5549 128-20	818-16-110-S	2	430.32-16D180.0	2
A818.20-1D08.750S27B	(0.315)	TXN-40	R818-2532S-TXN-40	5549 128-20	818-18-300-R	2	430.21-18D200.0	2
A818.20-1D09.375S28B	(0.315)	TXN-40	R818-2532S-TXN-40	5549 128-20	818-18-300-R	2	430.21-18D225.0	2
A818.20-1D10.625S30B	(0.315)	TXN-40	R818-2532S-TXN-40	5549 128-20	818-18-300-R	2	430.21-18D250.0	2
A818.20-1D11.250S32B	(0.315)	TXN-40	R818-2532S-TXN-40	5549 128-20	818-18-300-R	2	430.21-18D250.0	2
818.20-1D04.00S08B	1.50	TXN-16	R818-1016B-TXN-16	5549 128-00	818-08-030-R	2	430.21-08D38.0	2
818.20-1D04.300S08B	2.00	TXN-16	R818-1016B-TXN-16	5549 128-00	818-08-040-R	2	430.21-08D38.0	2
818.20-1D04.700S09B	2.00	TXN-16	R818-1016B-TXN-16	5549 128-00	818-10-040-R	2	430.21-10D47.0	2
818.20-1D05.100S10B	2.00	TXN-16	R818-1016B-TXN-16	5549 128-00	818-10-040-R	2	430.21-10D47.0	2
818.20-1D05.500S10B	2.00	TXN-16	R818-1016B-TXN-16	5549 128-00	818-10-040-R	2	430.21-10D52.0	2
818.20-1D05.900S11B	2.00	TXN-16	R818-1016B-TXN-16	5549 128-00	818-10-040-R	2	430.21-10D58.0	2
818.20-1D06.300S12B	2.00	TXN-16	R818-1016B-TXN-16	5549 128-00	818-10-040-R	2	430.21-10D58.0	2
818.20-1D06.500S12B	2.00	TXN-25	R818-2024S-TXN-25	5549 128-10	N/A	0	430.32-12D65.0	2
818.20-1D07.300S13B	2.00	TXN-25	R818-2024S-TXN-25	5549 128-10	N/A	0	430.32-12D70.0	2
818.20-1D07.800S14B	5.00	TXN-25	R818-2024S-TXN-25	5549 128-10	818-12-065-S	2	430.32-12D75.0	2
818.20-1D08.500S15B	5.00	TXN-25	R818-2024S-TXN-25	5549 128-10	818-12-065-S	2	430.32-12D85.0	2
818.20-1D10.00S18B	8.00	TXN-40	R818-2532S-TXN-40	5549 128-20	818-16-110-S	2	430.32-16D110.0	2
818.20-1D13.500S20B	8.00	TXN-40	R818-2532S-TXN-40	5549 128-20	818-16-110-S	2	430.32-16D130.0	2
818.20-1D16.00S22B	8.00	TXN-40	R818-2532S-TXN-40	5549 128-20	818-16-110-S	2	430.32-16D160.0	2
818.20-1D18.500S24B	8.00	TXN-40	R818-2532S-TXN-40	5549 128-20	818-16-110-S	2	430.32-16D180.0	2
818.20-1D21.00S26B	8.00	TXN-40	R818-2532S-TXN-40	5549 128-20	818-18-300-R	2	430.21-18D200.0	2
818.20-1D25.400S30B	8.00	TXN-40	R818-2532S-TXN-40	5549 128-20	818-18-300-R	2	430.21-18D250.0	2

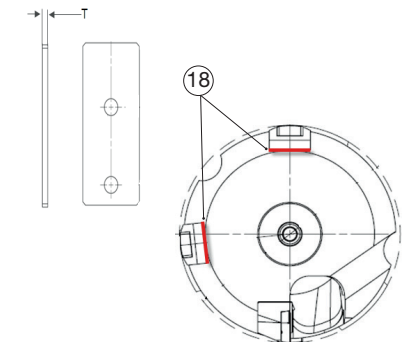
A Pads (optional)	*)	13 Seat protection plate	16 Pad shim set	*)	6 Pad	*)	7 Safety pad shim set	*)	9 Fibre pad blank	*)
800-14D065 PM1	2	5549 029-01	5549 127-20	2	801-142067-S	2	5549 126-90	2	5571 001-06	3
800-16D075 PM1	2	5549 029-03	5549 127-20	2	801-142067-S	1	5549 126-90	1	5571 001-07	3
800-18D085 PM1	2	5549 029-04	5549 127-20	2	801-142067-S	1	5549 126-90	1	5571 001-08	3
800-18D085 PM1	2	5549 029-04	5549 127-20	2	801-142067-S	1	5549 126-90	1	5571 001-08	3
800-20D100 PM1	2	5549 029-04	5549 126-10	2	801-202582-S	1	5549 126-91	1	5571 001-09	3
800-24D120 PM1	2	5549 029-05	5549 126-10	2	801-202582-S	1	5549 126-91	1	5571 001-09	3
N/A	2	5549 029-05	5549 126-10	2	801-202582-S	1	5549 126-91	1	5571 001-10	3
N/A	-	5549 029-06	5549 126-10	2	801-202582-S	1	5549 126-91	1	5571 001-11	3
N/A	-	5549 029-06	5549 126-10	2	801-202582-S	1	5549 126-91	1	5571 001-11	3
N/A	-	5549 029-07	N/A	-	801-202582-S	1	5549 126-91	1	5571 001-12	3
N/A	-	5549 029-07	N/A	-	801-202582-S	1	5549 126-91	1	5571 001-12	3
N/A	-	5549 029-07	N/A	-	801-202582-S	1	5549 126-91	1	5571 001-13	3
N/A	-	5549 029-07	N/A	-	801-202582-S	1	5549 126-91	1	5571 001-13	3
N/A	-	N/A	N/A	-	N/A	-	N/A	-	5571 001-05	3
N/A	-	N/A	N/A	-	N/A	-	N/A	-	5571 001-05	3
N/A	-	N/A	N/A	-	N/A	-	5549 126-90	1	5571 001-05	3
N/A	-	N/A	N/A	-	N/A	-	5549 126-90	1	5571 001-06	3
N/A	-	N/A	N/A	-	801-142067-S	1	5549 126-90	1	5571 001-06	3
N/A	-	N/A	N/A	-	801-142067-S	1	5549 126-90	1	5571 001-06	3
N/A	-	N/A	N/A	-	801-142067-S	1	5549 126-90	1	5571 001-06	3
800-14D065 PM1	2	5549 029-01	5549 127-20	2	801-142067-S	2	5549 126-90	2	5571 001-06	3
800-14D065 PM1	2	5549 029-02	5549 127-20	2	801-142067-S	2	5549 126-90	2	5571 001-07	3
800-16D075 PM1	2	5549 029-03	5549 127-20	2	801-142067-S	1	5549 126-90	1	5571 001-07	3
800-18D085 PM1	2	5549 029-04	5549 127-20	2	801-142067-S	1	5549 126-90	1	5571 001-07	3
800-22D110 PM1	2	5549 029-04	5549 127-10	2	801-202582-S	1	5549 126-91	1	5571 001-09	3
800-26D130 PM1	2	5549 029-05	5549 126-10	2	801-202582-S	1	5549 126-91	1	5571 001-10	3
N/A	-	5549 029-06	5549 126-10	2	801-202582-S	1	5549 126-91	1	5571 001-11	3
N/A	-	5549 029-06	5549 126-10	2	801-202582-S	1	5549 126-91	1	5571 001-11	3
N/A	-	5549 029-07	N/A	-	801-202582-S	1	5549 126-91	1	5571 001-12	3
N/A	-	5549 029-07	N/A	-	801-202582-S	1	5549 126-91	1	5571 001-13	3

13 Seat protection plate	14 Screw	23 Key
5549 029-01	3212 020-259	3021 010-030
5549 029-02	3212 020-309	3021 010-040
5549 029-03	3212 020-360	3021 010-050
5549 029-04	3212 020-410	3021 010-060
5549 029-05	3212 020-462	3021 010-080
5549 029-06	3212 010-513	3021 010-100
5549 029-07	3212 010-564	3021 010-140

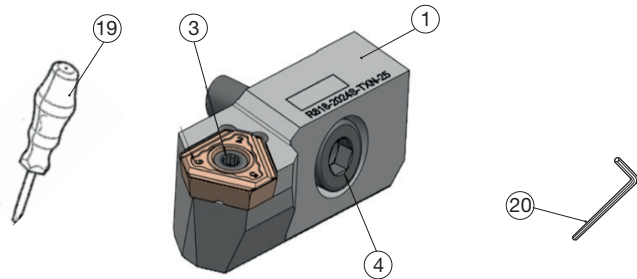
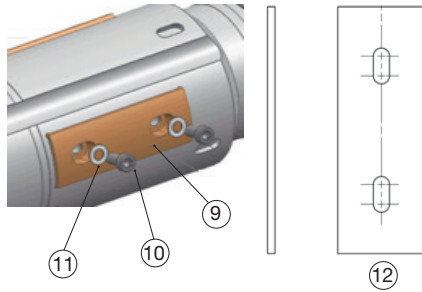
6 Pad	8 Screw	21 Screwdriver
801-142067-S	5513 020-01	5680 046-02
801-202582-S	5513 020-26	5680 046-06



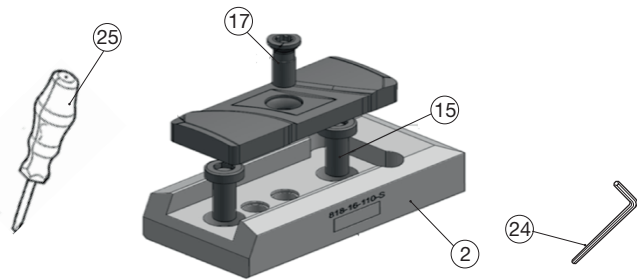
	2 Pad shoes	18 Shim	T
	818-12-065-S & 818-12-100-S	5549 127-30	2
		5549 127-31	3
		5549 127-32	5
	818-16-110-S & 818-16-150-S	5549 126-40	2
		5549 126-41	3
		5549 126-42	5
		5549 126-43	8
	818-08-030-R 818-08-040-R 818-10-030-R 818-10-040-R	5549 126-92	Shim set
		5549 128-30	Shim set
		5549 126-79	Shim set
	818-18-300-R	5549 126-80	2
		5549 126-81	3
		5549 126-82	4
		5549 126-88	8



9	10	11	12
Fibre pad blank	Screw	Washer	Shim
5571 001-01	3212 010-105	3411 010-022	5549 126-51
5571 001-02	3212 010-155	3411 010-027	5549 126-52
5571 001-03	3212 010-155	3411 010-027	5549 126-53
5571 001-04	3212 010-205	3411 010-032	5549 126-54
5571 001-05	3212 010-205	3411 010-032	5549 126-55
5571 001-06	3212 010-257	3411 010-043	5549 126-56
5571 001-07	3212 010-308	3411 010-053	5549 126-57
5571 001-08	3212 010-399	3411 010-064	5549 126-58
5571 001-09	3212 010-399	3411 010-064	5549 126-59
5571 001-10	3212 010-409	3411 010-084	5549 126-60
5571 001-11	3212 010-460	3411 010-105	5549 126-61
5571 001-12	3212 010-460	3411 010-105	5549 126-62
5571 001-13	3212 020-511	3411 010-130	5549 126-63
5571 001-14	3212 020-511	3411 010-130	5549 126-64



1	3	19	4	20
Peripheral cartridge	Insert screw	Screwdriver	Screw	Key
R818-1016B-TXN-16	5513 020-02	5680 046-02	3212 010-310	3021 010-040
R818-2024S-TXN-25	5513 020-55	5680 046-06	3212 010-412	3021 010-060
R818-2532S-TXN-40	5513 020-14	5680 046-07	3212 010-464	3021 010-080



2	15	24	17	25
Pad shoes	Screw	Key	Screw	Screwdriver
818-08-030-R	148C-831	3021 010-030	5513 030-02	5680 051-02
818-08-040-R	148C-831	3021 010-030	5513 030-02	5680 051-02
818-10-040-R	148C-831	3021 010-030	5513 011-01	5680 051-02
818-12-065-S	3212 020-258	3021 010-030	5513 020-10	5680 046-02
818-12-100-S	3212 020-258	3021 010-030	5513 020-10	5680 046-02
818-16-110-S	3212 020-309	3021 010-040	5513 020-26	5680 046-06
818-16-150-S	3212 020-309	3021 010-040	5513 020-26	5680 046-06
818-18-300-R	3212 010-363	3021 010-050	430.21-820	3021 010-030

5			Individual shims
Pcs	Size		
	mm	Inch	
1	0.05	0.002	5549 128-19
2	0.1	0.004	5549 128-01
2	0.15	0.006	5549 128-02
1	0.5	0.020	5549 128-03
1	1	0.039	5549 128-04
1	2	0.079	5549 128-05

5			Individual shims
Pcs	Size		
	mm	Inch	
1	0.05	0.002	5549 128-18
2	0.1	0.004	5549 128-11
2	0.15	0.006	5549 128-12
1	0.5	0.02	5549 128-13
1	1	0.039	5549 128-14
1	2	0.079	5549 128-15
1	3	0.118	5549 128-16
1	5	0.197	5549 128-17

5			Individual shims
Pcs	Size		
	mm	Inch	
1	0.05	0.002	5549 128-29
2	0.1	0.004	5549 128-21
2	0.15	0.006	5549 128-22
1	0.5	0.02	5549 128-23
1	1	0.039	5549 128-24
1	2	0.079	5549 128-25
1	3	0.118	5549 128-26
1	5	0.197	5549 128-27
1	8	0.315	5549 128-28

7			Individual shims
Pcs	Size		
	mm	Inch	
1	0.2	0.008	
1	0.5	0.020	
1	1	0.039	

7			Individual shims
Pcs	Size		
	mm	Inch	
1	0.2	0.008	
1	0.5	0.020	
1	1	0.039	

16			Individual shims
Pcs	Size		
	mm	Inch	
3	0.05	0.002	5549 126-07
3	0.1	0.004	5549 126-01
3	0.15	0.006	5549 126-04
3	0.2	0.008	5549 126-02
3	0.3	0.012	5549 126-03
3	2	0.079	5549 126-05
3	2.5	0.098	5549 126-06

16			Individual shims
Pcs	Size		
	mm	Inch	
3	0.05	0.002	5549 127-22
3	0.1	0.004	5549 127-01
3	0.15	0.006	5549 127-21
3	0.2	0.008	5549 127-02
3	0.3	0.012	5549 127-03
3	0.5	0.020	5549 127-04
3	0.75	0.029	5549 127-23
3	1.5	0.059	5549 127-24
3	2	0.079	5549 127-07

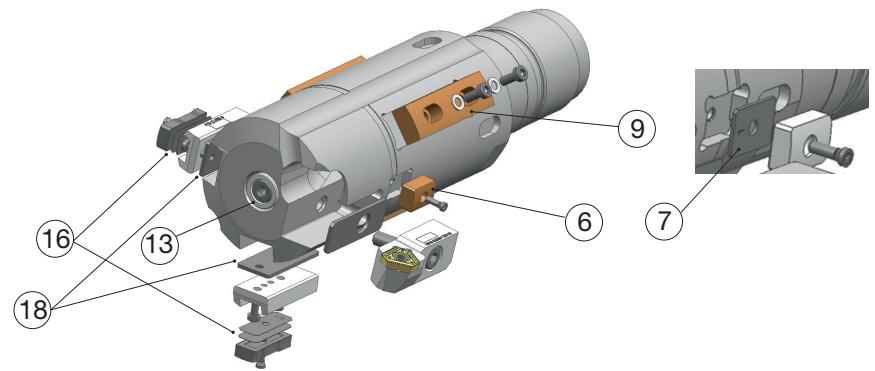
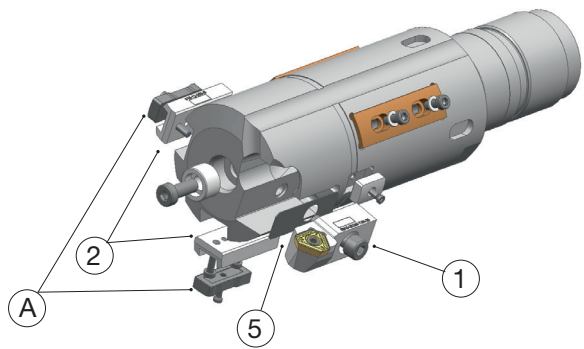
18			Individual shims
Pcs	Size		
	mm	Inch	
1	0.05	0.002	5549 126-104
3	0.1	0.004	5549 126-97
3	0.15	0.006	5549 126-98
1	0.5	0.020	5549 126-101
1	1.5	0.059	5549 126-102
1	2	0.079	5549 126-103

18			Individual shims
Pcs	Size		
	mm	Inch	
1	0.05	0.002	5549 128-36
3	0.1	0.004	5549 128-31
3	0.15	0.006	5549 128-32
1	0.5	0.020	5549 128-33
1	1	0.039	5549 128-34
1	2	0.079	5549 128-35

18			Individual shims
Pcs	Size		
	mm	Inch	
1	0.05	0.002	5549 126-87
3	0.1	0.004	5549 126-86
3	0.15	0.006	5549 126-85
1	0.5	0.020	5549 126-84
1	1	0.039	5549 126-83



Please contact your local Sandvik Coromant representative for more information regarding appropriate inserts.



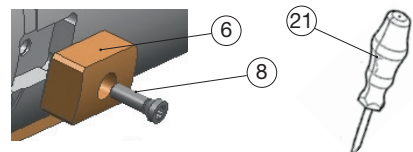
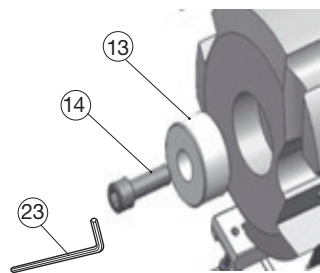
*) 可订购的数量 **) 径向调整量

订货号 钻头	**) mm (inch)	刀片型号	1 周边刀夹	5 刀夹垫片组件	2 支撑板座	*)	A 支撑板	*)
A818.20-1D02.750S13B	(0.079)	TXN-25	R818-2024S-TXN-25	5549 128-10	N/A	0	430.32-12D65.0	2
A818.20-1D03.000S14B	(0.197)	TXN-25	R818-2024S-TXN-25	5549 128-10	818-12-065-S	2	430.32-12D75.0	2
A818.20-1D03.500S15B	(0.197)	TXN-25	R818-2024S-TXN-25	5549 128-10	818-12-065-S	2	430.32-12D85.0	2
A818.20-1D03.750S16B	(0.197)	TXN-40	R818-2532S-TXN-40	5549 128-20	818-12-065-S	2	430.32-12D95.0	2
A818.20-1D04.000S17B	(0.315)	TXN-40	R818-2532S-TXN-40	5549 128-20	818-16-110-S	2	430.32-16D100.0	2
A818.20-1D04.750S19B	(0.315)	TXN-40	R818-2532S-TXN-40	5549 128-20	818-16-110-S	2	430.32-16D120.0	2
A818.20-1D05.750S21B	(0.315)	TXN-40	R818-2532S-TXN-40	5549 128-20	818-16-110-S	2	430.32-16D140.0	2
A818.20-1D06.750S23B	(0.315)	TXN-40	R818-2532S-TXN-40	5549 128-20	818-16-110-S	2	430.32-16D170.0	2
A818.20-1D07.750S25B	(0.315)	TXN-40	R818-2532S-TXN-40	5549 128-20	818-16-110-S	2	430.32-16D180.0	2
A818.20-1D08.750S27B	(0.315)	TXN-40	R818-2532S-TXN-40	5549 128-20	818-18-300-R	2	430.21-18D200.0	2
A818.20-1D09.375S28B	(0.315)	TXN-40	R818-2532S-TXN-40	5549 128-20	818-18-300-R	2	430.21-18D225.0	2
A818.20-1D10.625S30B	(0.315)	TXN-40	R818-2532S-TXN-40	5549 128-20	818-18-300-R	2	430.21-18D250.0	2
A818.20-1D11.250S32B	(0.315)	TXN-40	R818-2532S-TXN-40	5549 128-20	818-18-300-R	2	430.21-18D250.0	2
818.20-1D04.00S08B	1.50	TXN-16	R818-1016B-TXN-16	5549 128-00	818-08-030-R	2	430.21-08D38.0	2
818.20-1D04.00S08B	2.00	TXN-16	R818-1016B-TXN-16	5549 128-00	818-08-040-R	2	430.21-08D38.0	2
818.20-1D04.00S09B	2.00	TXN-16	R818-1016B-TXN-16	5549 128-00	818-10-040-R	2	430.21-10D47.0	2
818.20-1D05.00S10B	2.00	TXN-16	R818-1016B-TXN-16	5549 128-00	818-10-040-R	2	430.21-10D47.0	2
818.20-1D05.00S10B	2.00	TXN-16	R818-1016B-TXN-16	5549 128-00	818-10-040-R	2	430.21-10D52.0	2
818.20-1D05.00S11B	2.00	TXN-16	R818-1016B-TXN-16	5549 128-00	818-10-040-R	2	430.21-10D58.0	2
818.20-1D06.00S12B	2.00	TXN-16	R818-1016B-TXN-16	5549 128-00	818-10-040-R	2	430.21-10D58.0	2
818.20-1D06.00S12B	2.00	TXN-25	R818-2024S-TXN-25	5549 128-10	N/A	0	430.32-12D65.0	2
818.20-1D07.00S13B	2.00	TXN-25	R818-2024S-TXN-25	5549 128-10	N/A	0	430.32-12D75.0	2
818.20-1D07.800S14B	5.00	TXN-25	R818-2024S-TXN-25	5549 128-10	818-12-065-S	2	430.32-12D75.0	2
818.20-1D08.00S15B	5.00	TXN-25	R818-2024S-TXN-25	5549 128-10	818-12-065-S	2	430.32-12D85.0	2
818.20-1D10.00S18B	8.00	TXN-40	R818-2532S-TXN-40	5549 128-20	818-16-110-S	2	430.32-16D110.0	2
818.20-1D13.00S20B	8.00	TXN-40	R818-2532S-TXN-40	5549 128-20	818-16-110-S	2	430.32-16D130.0	2
818.20-1D16.00S22B	8.00	TXN-40	R818-2532S-TXN-40	5549 128-20	818-16-110-S	2	430.32-16D160.0	2
818.20-1D18.00S24B	8.00	TXN-40	R818-2532S-TXN-40	5549 128-20	818-16-110-S	2	430.32-16D180.0	2
818.20-1D21.00S26B	8.00	TXN-40	R818-2532S-TXN-40	5549 128-20	818-18-300-R	2	430.21-18D200.0	2
818.20-1D25.400S30B	8.00	TXN-40	R818-2532S-TXN-40	5549 128-20	818-18-300-R	2	430.21-18D250.0	2

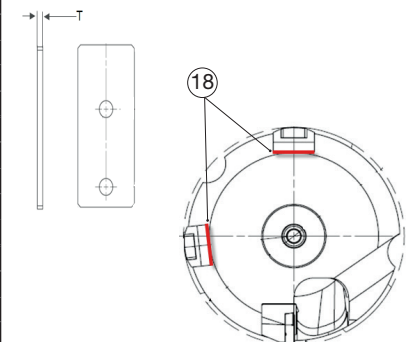
A 支撑板	*)	13 刀座保护板	16 支撑板垫片组件	*)	6 支撑板	*)	7 保护板垫片组件	*)	9 纤维支撑板	*)
800-14D065 PM1	2	5549 029-01	5549 127-20	2	801-142067-S	2	5549 126-90	2	5571 001-06	3
800-16D075 PM1	2	5549 029-03	5549 127-20	2	801-142067-S	1	5549 126-90	1	5571 001-07	3
800-18D085 PM1	2	5549 029-04	5549 127-20	2	801-142067-S	1	5549 126-90	1	5571 001-07	3
800-18D085 PM1	2	5549 029-04	5549 127-20	2	801-142067-S	1	5549 126-90	1	5571 001-08	3
800-20D100 PM1	2	5549 029-04	5549 126-10	2	801-202582-S	1	5549 126-91	1	5571 001-09	3
800-24D120 PM1	2	5549 029-05	5549 126-10	2	801-202582-S	1	5549 126-91	1	5571 001-09	3
N/A	2	5549 029-05	5549 126-10	2	801-202582-S	1	5549 126-91	1	5571 001-10	3
N/A	-	5549 029-06	5549 126-10	2	801-202582-S	1	5549 126-91	1	5571 001-11	3
N/A	-	5549 029-06	5549 126-10	2	801-202582-S	1	5549 126-91	1	5571 001-11	3
N/A	-	5549 029-07	N/A	-	801-202582-S	1	5549 126-91	1	5571 001-12	3
N/A	-	5549 029-07	N/A	-	801-202582-S	1	5549 126-91	1	5571 001-12	3
N/A	-	5549 029-07	N/A	-	801-202582-S	1	5549 126-91	1	5571 001-13	3
N/A	-	5549 029-07	N/A	-	801-202582-S	1	5549 126-91	1	5571 001-13	3
N/A	-	N/A	N/A	-	N/A	-	N/A	-	5571 001-05	3
N/A	-	N/A	N/A	-	N/A	-	N/A	-	5571 001-05	3
N/A	-	N/A	N/A	-	N/A	-	5549 126-90	1	5571 001-05	3
N/A	-	N/A	N/A	-	N/A	-	5549 126-90	1	5571 001-06	3
N/A	-	N/A	N/A	-	801-142067-S	1	5549 126-90	1	5571 001-06	3
N/A	-	N/A	N/A	-	801-142067-S	1	5549 126-90	1	5571 001-06	3
N/A	-	N/A	N/A	-	801-142067-S	1	5549 126-90	1	5571 001-06	3
800-14D065 PM1	2	5549 029-01	5549 127-20	2	801-142067-S	2	5549 126-90	2	5571 001-06	3
800-14D065 PM1	2	5549 029-02	5549 127-20	2	801-142067-S	2	5549 126-90	2	5571 001-07	3
800-16D075 PM1	2	5549 029-03	5549 127-20	2	801-142067-S	1	5549 126-90	1	5571 001-07	3
800-18D085 PM1	2	5549 029-04	5549 127-20	2	801-142067-S	1	5549 126-90	1	5571 001-07	3
800-22D110 PM1	2	5549 029-04	5549 127-10	2	801-202582-S	1	5549 126-91	1	5571 001-09	3
800-26D130 PM1	2	5549 029-05	5549 126-10	2	801-202582-S	1	5549 126-91	1	5571 001-10	3
N/A	-	5549 029-06	5549 126-10	2	801-202582-S	1	5549 126-91	1	5571 001-11	3
N/A	-	5549 029-06	5549 126-10	2	801-202582-S	1	5549 126-91	1	5571 001-11	3
N/A	-	5549 029-07	N/A	-	801-202582-S	1	5549 126-91	1	5571 001-12	3
N/A	-	5549 029-07	N/A	-	801-202582-S	1	5549 126-91	1	5571 001-13	3

13 刀座保护板	14 螺钉	23 扳手
5549 029-01	3212 020-259	3021 010-030
5549 029-02	3212 020-309	3021 010-040
5549 029-03	3212 020-360	3021 010-050
5549 029-04	3212 020-410	3021 010-060
5549 029-05	3212 020-462	3021 010-080
5549 029-06	3212 010-513	3021 010-100
5549 029-07	3212 010-564	3021 010-140

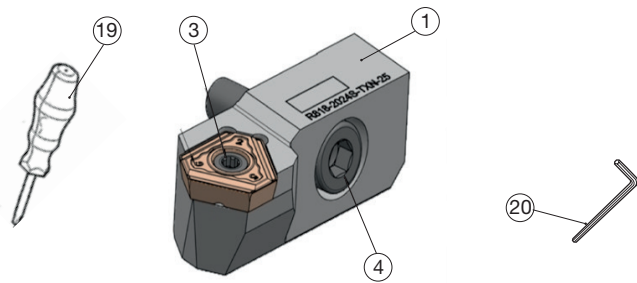
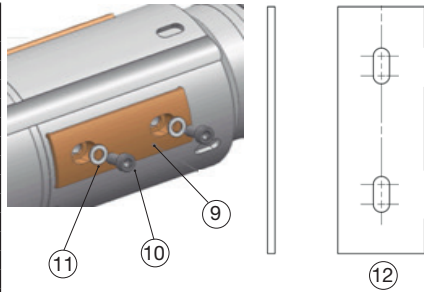
6 支撑板	8 螺钉	21 改锥
801-142067-S	5513 020-01	5680 046-02
801-202582-S	5513 020-26	5680 046-06



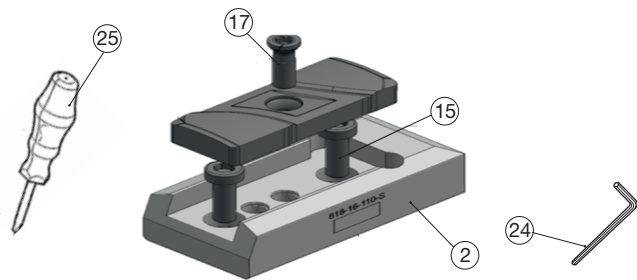
	2 支撑板座	18 垫片	T
	818-12-065-S & 818-12-100-S	5549 127-30	2
		5549 127-31	3
		5549 127-32	5
	818-16-110-S & 818-16-150-S	5549 126-40	2
		5549 126-41	3
		5549 126-42 5549 126-43	5 8
	818-08-030-R 818-08-040-R 818-10-030-R 818-10-040-R	5549 126-92	垫片组件
		5549 128-30	垫片组件
		5549 126-79 5549 126-80	垫片组件 2
	818-18-300-R	5549 126-81	3
		5549 126-82	4
		5549 126-88	8



9 纤维支撑板	10 螺钉	11 垫圈	12 垫片
5571 001-01	3212 010-105	3411 010-022	5549 126-51
5571 001-02	3212 010-155	3411 010-027	5549 126-52
5571 001-03	3212 010-155	3411 010-027	5549 126-53
5571 001-04	3212 010-205	3411 010-032	5549 126-54
5571 001-05	3212 010-205	3411 010-032	5549 126-55
5571 001-06	3212 010-257	3411 010-043	5549 126-56
5571 001-07	3212 010-308	3411 010-053	5549 126-57
5571 001-08	3212 010-399	3411 010-064	5549 126-58
5571 001-09	3212 010-399	3411 010-064	5549 126-59
5571 001-10	3212 010-409	3411 010-084	5549 126-60
5571 001-11	3212 010-460	3411 010-105	5549 126-61
5571 001-12	3212 010-460	3411 010-105	5549 126-62
5571 001-13	3212 020-511	3411 010-130	5549 126-63
5571 001-14	3212 020-511	3411 010-130	5549 126-64



1 周边刀夹	3 刀片螺钉	19 改锥	4 螺钉	20 扳手
R818-1016B-TXN-16	5513 020-02	5680 046-02	3212 010-310	3021 010-040
R818-2024S-TXN-25	5513 020-55	5680 046-06	3212 010-412	3021 010-060
R818-2532S-TXN-40	5513 020-14	5680 046-07	3212 010-464	3021 010-080



2 支撑板座	15 螺钉	24 扳手	17 螺钉	25 改锥
818-08-030-R	148C-831	3021 010-030	5513 030-02	5680 051-02
818-08-040-R	148C-831	3021 010-030	5513 030-02	5680 051-02
818-10-040-R	148C-831	3021 010-030	5513 011-01	5680 051-02
818-12-065-S	3212 020-258	3021 010-030	5513 020-10	5680 046-02
818-12-100-S	3212 020-258	3021 010-030	5513 020-10	5680 046-02
818-16-110-S	3212 020-309	3021 010-040	5513 020-26	5680 046-06
818-16-150-S	3212 020-309	3021 010-040	5513 020-26	5680 046-06
818-18-300-R	3212 010-363	3021 010-050	430.21-820	3021 010-030

5 刀夹垫片组件 5549 128-00			单个刀垫
件	尺寸		
	mm	Inch	
1	0.05	0.002	5549 128-19
2	0.1	0.004	5549 128-01
2	0.15	0.006	5549 128-02
1	0.5	0.020	5549 128-03
1	1	0.039	5549 128-04
1	2	0.079	5549 128-05

5 刀夹垫片组件 5549 128-10			单个刀垫
件	尺寸		
	mm	Inch	
1	0.05	0.002	5549 128-18
2	0.1	0.004	5549 128-11
2	0.15	0.006	5549 128-12
1	0.5	0.02	5549 128-13
1	1	0.039	5549 128-14
1	2	0.079	5549 128-15
1	3	0.118	5549 128-16
1	5	0.197	5549 128-17

5 刀夹垫片组件 5549 128-20			单个刀垫
件	尺寸		
	mm	Inch	
1	0.05	0.002	5549 128-29
2	0.1	0.004	5549 128-21
2	0.15	0.006	5549 128-22
1	0.5	0.02	5549 128-23
1	1	0.039	5549 128-24
1	2	0.079	5549 128-25
1	3	0.118	5549 128-26
1	5	0.197	5549 128-27
1	8	0.315	5549 128-28

7 保护板垫片组件 5549 126-90		
件	尺寸	
	mm	Inch
1	0.2	0.008
1	0.5	0.020
1	1	0.039

7 保护板垫片组件 5549 126-91		
件	尺寸	
	mm	Inch
1	0.2	0.008
1	0.5	0.020
1	1	0.039

16 支撑板垫片组件 5549 126-10			单个刀垫
件	尺寸		
	mm	Inch	
3	0.05	0.002	5549 126-07
3	0.1	0.004	5549 126-01
3	0.15	0.006	5549 126-04
3	0.2	0.008	5549 126-02
3	0.3	0.012	5549 126-03
3	2	0.079	5549 126-05
3	2.5	0.098	5549 126-06

16 支撑板垫片组件 5549 127-20			单个刀垫
件	尺寸		
	mm	Inch	
3	0.05	0.002	5549 127-22
3	0.1	0.004	5549 127-01
3	0.15	0.006	5549 127-21
3	0.2	0.008	5549 127-02
3	0.3	0.012	5549 127-03
3	0.5	0.020	5549 127-04
3	0.75	0.029	5549 127-23
3	1.5	0.059	5549 127-24
3	2	0.079	5549 127-07

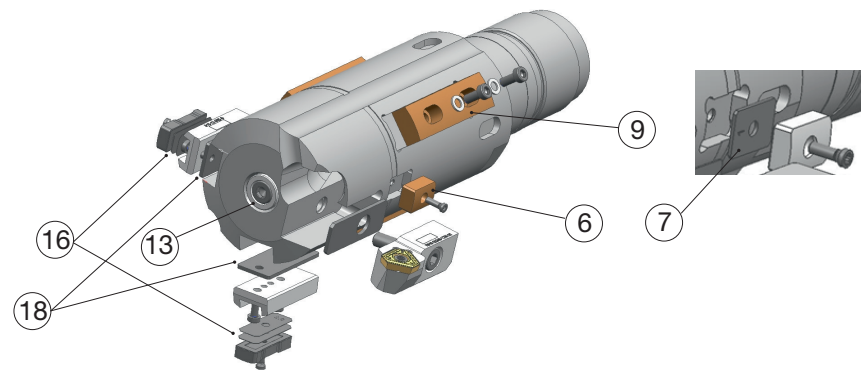
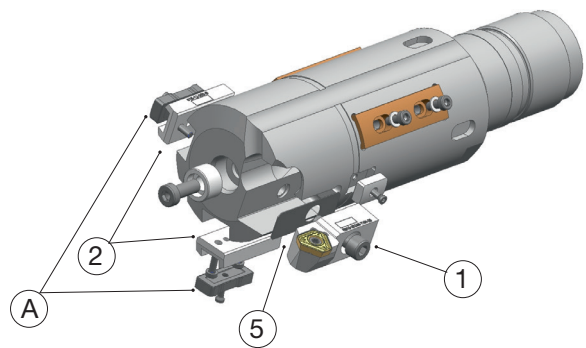
18 垫片组件 5549 126-92 (支撑板座 818-08-030/040-R)			单个刀垫
件	尺寸		
	mm	Inch	
1	0.05	0.002	5549 126-104
3	0.1	0.004	5549 126-97
3	0.15	0.006	5549 126-98
1	0.5	0.020	5549 126-101
1	1.5	0.059	5549 126-102
1	2	0.079	5549 126-103

18 垫片组件 5549 128-30 (支撑板座 818-10-040-R)			单个刀垫
件	尺寸		
	mm	Inch	
1	0.05	0.002	5549 128-36
3	0.1	0.004	5549 128-31
3	0.15	0.006	5549 128-32
1	0.5	0.020	5549 128-33
1	1	0.039	5549 128-34
1	2	0.079	5549 128-35

18 垫片组件 5549 126-79 (支撑板座 818-18-300-R)			单个刀垫
件	尺寸		
	mm	Inch	
1	0.05	0.002	5549 126-87
3	0.1	0.004	5549 126-86
3	0.15	0.006	5549 126-85
1	0.5	0.020	5549 126-84
1	1	0.039	5549 126-83



如需更多信息, 请与您当地的山特维克可乐满办事处联系。

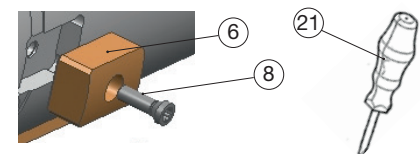
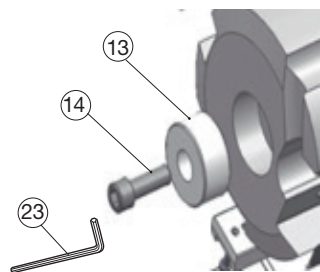


*) Quantité à commander **) Réglage radial

Référence de commande Tête de forage	**) mm (Pouce)	Taille de plaquette	1 Cartouche périphérique	5 Jeu de cales-supports pour cartouche	2 Cales d'ételles	*) A Ételles	*)	
A818.20-1D02.750S13B	(0.079)	TXN-25	R818-2024S-TXN-25	5549 128-10	N/A	0	430.32-12D65.0	2
A818.20-1D03.000S14B	(0.197)	TXN-25	R818-2024S-TXN-25	5549 128-10	818-12-065-S	2	430.32-12D75.0	2
A818.20-1D03.500S15B	(0.197)	TXN-25	R818-2024S-TXN-25	5549 128-10	818-12-065-S	2	430.32-12D85.0	2
A818.20-1D03.750S16B	(0.197)	TXN-40	R818-2532S-TXN-40	5549 128-20	818-12-065-S	2	430.32-12D95.0	2
A818.20-1D04.000S17B	(0.315)	TXN-40	R818-2532S-TXN-40	5549 128-20	818-16-110-S	2	430.32-16D100.0	2
A818.20-1D04.750S19B	(0.315)	TXN-40	R818-2532S-TXN-40	5549 128-20	818-16-110-S	2	430.32-16D120.0	2
A818.20-1D05.750S21B	(0.315)	TXN-40	R818-2532S-TXN-40	5549 128-20	818-16-110-S	2	430.32-16D140.0	2
A818.20-1D06.750S23B	(0.315)	TXN-40	R818-2532S-TXN-40	5549 128-20	818-16-110-S	2	430.32-16D170.0	2
A818.20-1D07.750S25B	(0.315)	TXN-40	R818-2532S-TXN-40	5549 128-20	818-16-110-S	2	430.32-16D180.0	2
A818.20-1D08.750S27B	(0.315)	TXN-40	R818-2532S-TXN-40	5549 128-20	818-18-300-R	2	430.21-18D200.0	2
A818.20-1D09.375S28B	(0.315)	TXN-40	R818-2532S-TXN-40	5549 128-20	818-18-300-R	2	430.21-18D225.0	2
A818.20-1D10.625S30B	(0.315)	TXN-40	R818-2532S-TXN-40	5549 128-20	818-18-300-R	2	430.21-18D250.0	2
A818.20-1D11.250S32B	(0.315)	TXN-40	R818-2532S-TXN-40	5549 128-20	818-18-300-R	2	430.21-18D250.0	2
818.20-1D040.00S08B	1.50	TXN-16	R818-1016B-TXN-16	5549 128-00	818-08-030-R	2	430.21-08D38.0	2
818.20-1D043.00S08B	2.00	TXN-16	R818-1016B-TXN-16	5549 128-00	818-08-040-R	2	430.21-08D38.0	2
818.20-1D047.00S09B	2.00	TXN-16	R818-1016B-TXN-16	5549 128-00	818-10-040-R	2	430.21-10D47.0	2
818.20-1D051.00S10B	2.00	TXN-16	R818-1016B-TXN-16	5549 128-00	818-10-040-R	2	430.21-10D47.0	2
818.20-1D055.00S10B	2.00	TXN-16	R818-1016B-TXN-16	5549 128-00	818-10-040-R	2	430.21-10D52.0	2
818.20-1D059.00S11B	2.00	TXN-16	R818-1016B-TXN-16	5549 128-00	818-10-040-R	2	430.21-10D58.0	2
818.20-1D063.00S12B	2.00	TXN-16	R818-1016B-TXN-16	5549 128-00	818-10-040-R	2	430.21-10D58.0	2
818.20-1D065.00S12B	2.00	TXN-25	R818-2024S-TXN-25	5549 128-10	N/A	0	430.32-12D65.0	2
818.20-1D073.00S13B	2.00	TXN-25	R818-2024S-TXN-25	5549 128-10	N/A	0	430.32-12D70.0	2
818.20-1D078.00S14B	5.00	TXN-25	R818-2024S-TXN-25	5549 128-10	818-12-065-S	2	430.32-12D75.0	2
818.20-1D085.00S15B	5.00	TXN-25	R818-2024S-TXN-25	5549 128-10	818-12-065-S	2	430.32-12D85.0	2
818.20-1D110.00S18B	8.00	TXN-40	R818-2532S-TXN-40	5549 128-20	818-16-110-S	2	430.32-16D110.0	2
818.20-1D135.00S20B	8.00	TXN-40	R818-2532S-TXN-40	5549 128-20	818-16-110-S	2	430.32-16D130.0	2
818.20-1D160.00S22B	8.00	TXN-40	R818-2532S-TXN-40	5549 128-20	818-16-110-S	2	430.32-16D160.0	2
818.20-1D185.00S24B	8.00	TXN-40	R818-2532S-TXN-40	5549 128-20	818-16-110-S	2	430.32-16D180.0	2
818.20-1D210.00S26B	8.00	TXN-40	R818-2532S-TXN-40	5549 128-20	818-18-300-R	2	430.21-18D200.0	2
818.20-1D254.00S30B	8.00	TXN-40	R818-2532S-TXN-40	5549 128-20	818-18-300-R	2	430.21-18D250.0	2

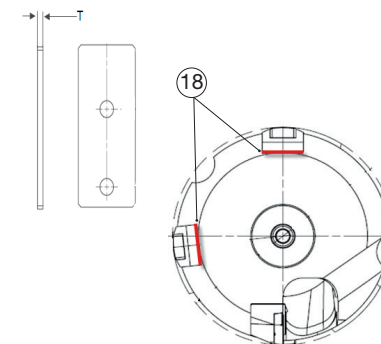
13 Plaque de protection du logement	14 Vis	23 Clé
5549 029-01	3212 020-259	3021 010-030
5549 029-02	3212 020-309	3021 010-040
5549 029-03	3212 020-360	3021 010-050
5549 029-04	3212 020-410	3021 010-060
5549 029-05	3212 020-462	3021 010-080
5549 029-06	3212 010-513	3021 010-100
5549 029-07	3212 010-564	3021 010-140

6 Ételles	8 Vis	21 Tournevis
801-142067-S	5513 020-01	5680 046-02
801-202582-S	5513 020-26	5680 046-06

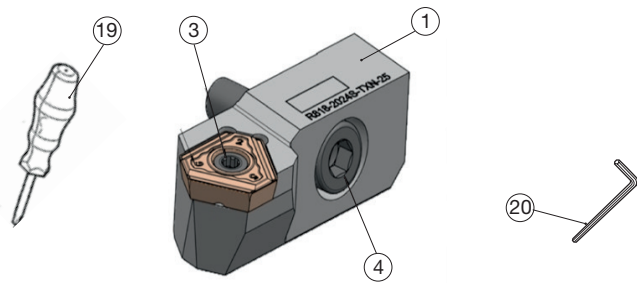
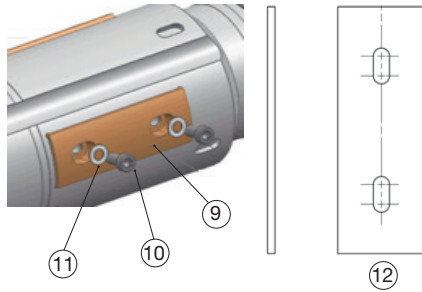


A Ételles (en option)	*)	13 Plaque de protection du logement	16 Jeu de cales d'ételles	*)	6 Ételles	*)	7 Jeu de cales d'ételles	*)	9 Ébauche d'étoile fibre	*)
800-14D065 PM1	2	5549 029-01	5549 127-20	2	801-142067-S	2	5549 126-90	2	5571 001-06	3
800-16D075 PM1	2	5549 029-03	5549 127-20	2	801-142067-S	1	5549 126-90	1	5571 001-07	3
800-18D085 PM1	2	5549 029-04	5549 127-20	2	801-142067-S	1	5549 126-90	1	5571 001-07	3
800-18D085 PM1	2	5549 029-04	5549 127-20	2	801-142067-S	1	5549 126-90	1	5571 001-08	3
800-20D100 PM1	2	5549 029-04	5549 126-10	2	801-202582-S	1	5549 126-91	1	5571 001-09	3
800-24D120 PM1	2	5549 029-05	5549 126-10	2	801-202582-S	1	5549 126-91	1	5571 001-09	3
N/A	-	5549 029-05	5549 126-10	2	801-202582-S	1	5549 126-91	1	5571 001-10	3
N/A	-	5549 029-06	5549 126-10	2	801-202582-S	1	5549 126-91	1	5571 001-11	3
N/A	-	5549 029-06	5549 126-10	2	801-202582-S	1	5549 126-91	1	5571 001-11	3
N/A	-	5549 029-07	N/A	-	801-202582-S	1	5549 126-91	1	5571 001-12	3
N/A	-	5549 029-07	N/A	-	801-202582-S	1	5549 126-91	1	5571 001-12	3
N/A	-	5549 029-07	N/A	-	801-202582-S	1	5549 126-91	1	5571 001-13	3
N/A	-	5549 029-07	N/A	-	801-202582-S	1	5549 126-91	1	5571 001-13	3
N/A	-	N/A	N/A	-	N/A	-	N/A	-	5571 001-05	3
N/A	-	N/A	N/A	-	N/A	-	N/A	-	5571 001-05	3
N/A	-	N/A	N/A	-	N/A	-	5549 126-90	1	5571 001-05	3
N/A	-	N/A	N/A	-	N/A	-	5549 126-90	1	5571 001-06	3
N/A	-	N/A	N/A	-	801-142067-S	1	5549 126-90	1	5571 001-06	3
N/A	-	N/A	N/A	-	801-142067-S	1	5549 126-90	1	5571 001-06	3
N/A	-	N/A	N/A	-	801-142067-S	1	5549 126-90	1	5571 001-06	3
800-14D065 PM1	2	5549 029-01	5549 127-20	2	801-142067-S	2	5549 126-90	2	5571 001-06	3
800-14D065 PM1	2	5549 029-02	5549 127-20	2	801-142067-S	2	5549 126-90	2	5571 001-07	3
800-16D075 PM1	2	5549 029-03	5549 127-20	2	801-142067-S	1	5549 126-90	1	5571 001-07	3
800-18D085 PM1	2	5549 029-04	5549 127-20	2	801-142067-S	1	5549 126-90	1	5571 001-07	3
800-22D110 PM1	2	5549 029-04	5549 127-10	2	801-202582-S	1	5549 126-91	1	5571 001-09	3
800-26D130 PM1	2	5549 029-05	5549 126-10	2	801-202582-S	1	5549 126-91	1	5571 001-10	3
N/A	-	5549 029-06	5549 126-10	2	801-202582-S	1	5549 126-91	1	5571 001-11	3
N/A	-	5549 029-06	5549 126-10	2	801-202582-S	1	5549 126-91	1	5571 001-11	3
N/A	-	5549 029-07	N/A	-	801-202582-S	1	5549 126-91	1	5571 001-12	3
N/A	-	5549 029-07	N/A	-	801-202582-S	1	5549 126-91	1	5571 001-13	3

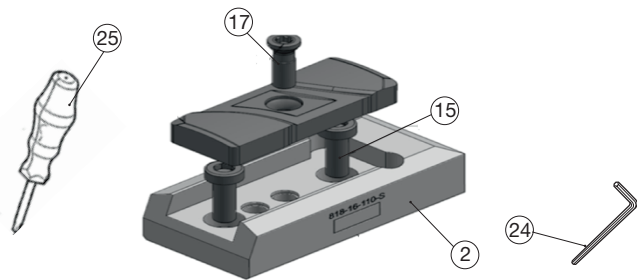
	2 Cales d'ételles	18 Cale-support	T
	818-12-065-S & 818-12-100-S	5549 127-30	2
		5549 127-31	3
		5549 127-32	5
	818-16-110-S & 818-16-150-S	5549 126-40	2
		5549 126-41	3
		5549 126-42	5
	818-08-030-R 818-08-040-R 818-10-030-R 818-10-040-R	5549 126-92	Jeu de cales-supports
		5549 128-30	Jeu de cales-supports
		5549 126-79	Jeu de cales-supports
	818-18-300-R	5549 126-80	2
		5549 126-81	3
		5549 126-82	4
		5549 126-88	8



9	10	11	12
Ébauche d'épave fibre	Vis	Rondelle	Cale-support
5571 001-01	3212 010-105	3411 010-022	5549 126-51
5571 001-02	3212 010-155	3411 010-027	5549 126-52
5571 001-03	3212 010-155	3411 010-027	5549 126-53
5571 001-04	3212 010-205	3411 010-032	5549 126-54
5571 001-05	3212 010-205	3411 010-032	5549 126-55
5571 001-06	3212 010-257	3411 010-043	5549 126-56
5571 001-07	3212 010-308	3411 010-053	5549 126-57
5571 001-08	3212 010-399	3411 010-064	5549 126-58
5571 001-09	3212 010-399	3411 010-064	5549 126-59
5571 001-10	3212 010-409	3411 010-084	5549 126-60
5571 001-11	3212 010-460	3411 010-105	5549 126-61
5571 001-12	3212 010-460	3411 010-105	5549 126-62
5571 001-13	3212 020-511	3411 010-130	5549 126-63
5571 001-14	3212 020-511	3411 010-130	5549 126-64



1	3	19	4	20
Cartouche périphérique	Vis de plaquette	Tournevis	Vis	Clé
R818-1016B-TXN-16	5513 020-02	5680 046-02	3212 010-310	3021 010-040
R818-2024S-TXN-25	5513 020-55	5680 046-06	3212 010-412	3021 010-060
R818-2532S-TXN-40	5513 020-14	5680 046-07	3212 010-464	3021 010-080



2	15	24	17	25
Cales d'épaves	Vis	Clé	Vis	Tournevis
818-08-030-R	148C-831	3021 010-030	5513 030-02	5680 051-02
818-08-040-R	148C-831	3021 010-030	5513 030-02	5680 051-02
818-10-040-R	148C-831	3021 010-030	5513 011-01	5680 051-02
818-12-065-S	3212 020-258	3021 010-030	5513 020-10	5680 046-02
818-12-100-S	3212 020-258	3021 010-030	5513 020-10	5680 046-02
818-16-110-S	3212 020-309	3021 010-040	5513 020-26	5680 046-06
818-16-150-S	3212 020-309	3021 010-040	5513 020-26	5680 046-06
818-18-300-R	3212 010-363	3021 010-050	430.21-820	3021 010-030

5			Cales support individuelles
Jeu de cales-supports pour cartouche 5549 128-00			
Pcs	Taille		
	mm	Pouce	
1	0.05	0.002	5549 128-19
2	0.1	0.004	5549 128-01
2	0.15	0.006	5549 128-02
1	0.5	0.020	5549 128-03
1	1	0.039	5549 128-04
1	2	0.079	5549 128-05

5			Cales support individuelles
Jeu de cales-supports pour cartouche 5549 128-10			
Pcs	Taille		
	mm	Pouce	
1	0.05	0.002	5549 128-18
2	0.1	0.004	5549 128-11
2	0.15	0.006	5549 128-12
1	0.5	0.02	5549 128-13
1	1	0.039	5549 128-14
1	2	0.079	5549 128-15
1	3	0.118	5549 128-16
1	5	0.197	5549 128-17

5			Cales support individuelles
Jeu de cales-supports pour cartouche 5549 128-20			
Pcs	Taille		
	mm	Pouce	
1	0.05	0.002	5549 128-29
2	0.1	0.004	5549 128-21
2	0.15	0.006	5549 128-22
1	0.5	0.02	5549 128-23
1	1	0.039	5549 128-24
1	2	0.079	5549 128-25
1	3	0.118	5549 128-26
1	5	0.197	5549 128-27
1	8	0.315	5549 128-28

7		
Jeu de cales d'épaves 5549 126-90		
Pcs	Taille	
	mm	Pouce
1	0.2	0.008
1	0.5	0.020
1	1	0.039

7		
Jeu de cales d'épaves 5549 126-91		
Pcs	Taille	
	mm	Pouce
1	0.2	0.008
1	0.5	0.020
1	1	0.039

16			Cales support individuelles
Jeu de cales d'épaves 5549 126-10			
Pcs	Taille		
	mm	Pouce	
3	0.05	0.002	5549 126-07
3	0.1	0.004	5549 126-01
3	0.15	0.006	5549 126-04
3	0.2	0.008	5549 126-02
3	0.3	0.012	5549 126-03
3	2	0.079	5549 126-05
3	2.5	0.098	5549 126-06

16			Cales support individuelles
Jeu de cales d'épaves 5549 127-20			
Pcs	Taille		
	mm	Pouce	
3	0.05	0.002	5549 127-22
3	0.1	0.004	5549 127-01
3	0.15	0.006	5549 127-21
3	0.2	0.008	5549 127-02
3	0.3	0.012	5549 127-03
3	0.5	0.020	5549 127-04
3	0.75	0.029	5549 127-23
3	1.5	0.059	5549 127-24
3	2	0.079	5549 127-07

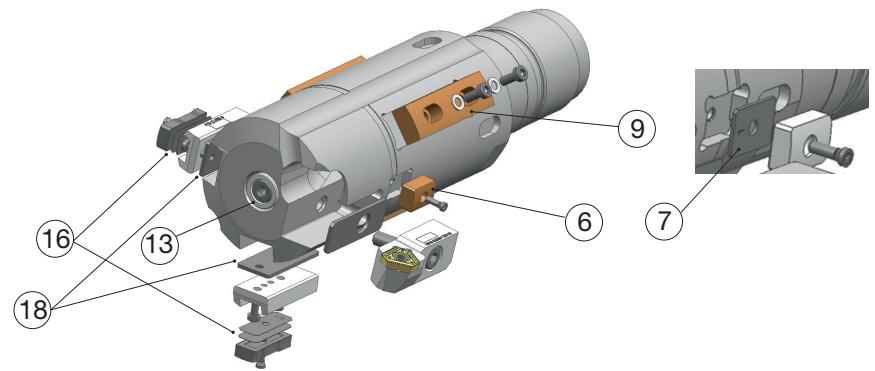
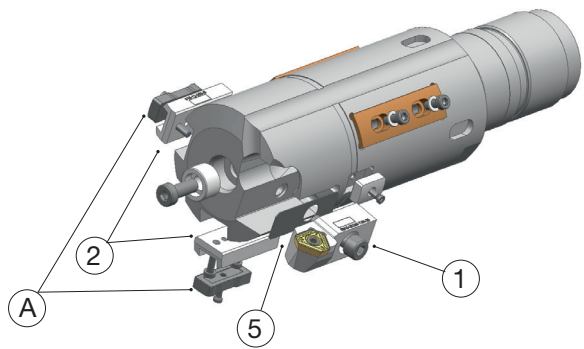
18			Cales support individuelles
Jeu de cales-supports 5549 126-92 (Cales d'épaves 818-08-030/040-R)			
Pcs	Taille		
	mm	Pouce	
1	0.05	0.002	5549 126-104
3	0.1	0.004	5549 126-97
3	0.15	0.006	5549 126-98
1	0.5	0.020	5549 126-101
1	1.5	0.059	5549 126-102
1	2	0.079	5549 126-103

18			Cales support individuelles
Jeu de cales-supports 5549 128-30 (Cales d'épaves 818-10-040-R)			
Pcs	Taille		
	mm	Pouce	
1	0.05	0.002	5549 128-36
3	0.1	0.004	5549 128-31
3	0.15	0.006	5549 128-32
1	0.5	0.020	5549 128-33
1	1	0.039	5549 128-34
1	2	0.079	5549 128-35

18			Cales support individuelles
Jeu de cales-supports 5549 126-79 (Cales d'épaves 818-18-300-R)			
Pcs	Taille		
	mm	Pouce	
1	0.05	0.002	5549 126-87
3	0.1	0.004	5549 126-86
3	0.15	0.006	5549 126-85
1	0.5	0.020	5549 126-84
1	1	0.039	5549 126-83



Pour plus de précisions sur les plaquettes adaptées, veuillez vous adresser à votre représentant Sandvik Coromant.

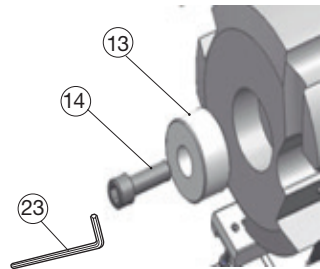


*) Bestellmenge **) Radiale Verstellung

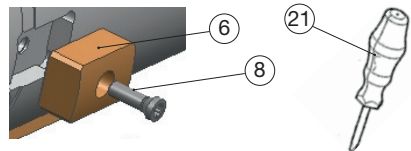
Bestellnummer Bohrkopf	**) mm (Zoll)	Platten- größe	1 Außeneinbualter	5 Einbualter Zwischenlagensatz	2 Leisten-Kassetten	*)	A Leisten	*)
A818.20-1D02.750S13B	(0.079)	TXN-25	R818-2024S-TXN-25	5549 128-10	N/A	0	430.32-12D65.0	2
A818.20-1D03.000S14B	(0.197)	TXN-25	R818-2024S-TXN-25	5549 128-10	818-12-065-S	2	430.32-12D75.0	2
A818.20-1D03.500S15B	(0.197)	TXN-25	R818-2024S-TXN-25	5549 128-10	818-12-065-S	2	430.32-12D85.0	2
A818.20-1D03.750S16B	(0.197)	TXN-40	R818-2532S-TXN-40	5549 128-20	818-12-065-S	2	430.32-12D95.0	2
A818.20-1D04.000S17B	(0.315)	TXN-40	R818-2532S-TXN-40	5549 128-20	818-16-110-S	2	430.32-16D100.0	2
A818.20-1D04.750S19B	(0.315)	TXN-40	R818-2532S-TXN-40	5549 128-20	818-16-110-S	2	430.32-16D120.0	2
A818.20-1D05.750S21B	(0.315)	TXN-40	R818-2532S-TXN-40	5549 128-20	818-16-110-S	2	430.32-16D140.0	2
A818.20-1D06.750S23B	(0.315)	TXN-40	R818-2532S-TXN-40	5549 128-20	818-16-110-S	2	430.32-16D170.0	2
A818.20-1D07.750S25B	(0.315)	TXN-40	R818-2532S-TXN-40	5549 128-20	818-16-110-S	2	430.32-16D180.0	2
A818.20-1D08.750S27B	(0.315)	TXN-40	R818-2532S-TXN-40	5549 128-20	818-18-300-R	2	430.21-18D200.0	2
A818.20-1D09.375S28B	(0.315)	TXN-40	R818-2532S-TXN-40	5549 128-20	818-18-300-R	2	430.21-18D225.0	2
A818.20-1D10.625S30B	(0.315)	TXN-40	R818-2532S-TXN-40	5549 128-20	818-18-300-R	2	430.21-18D250.0	2
A818.20-1D11.250S32B	(0.315)	TXN-40	R818-2532S-TXN-40	5549 128-20	818-18-300-R	2	430.21-18D250.0	2
818.20-1D04.000S08B	1.50	TXN-16	R818-1016B-TXN-16	5549 128-00	818-08-030-R	2	430.21-08D38.0	2
818.20-1D04.300S08B	2.00	TXN-16	R818-1016B-TXN-16	5549 128-00	818-08-040-R	2	430.21-08D38.0	2
818.20-1D04.700S09B	2.00	TXN-16	R818-1016B-TXN-16	5549 128-00	818-10-040-R	2	430.21-10D47.0	2
818.20-1D05.100S10B	2.00	TXN-16	R818-1016B-TXN-16	5549 128-00	818-10-040-R	2	430.21-10D47.0	2
818.20-1D05.500S10B	2.00	TXN-16	R818-1016B-TXN-16	5549 128-00	818-10-040-R	2	430.21-10D52.0	2
818.20-1D05.900S11B	2.00	TXN-16	R818-1016B-TXN-16	5549 128-00	818-10-040-R	2	430.21-10D58.0	2
818.20-1D06.300S12B	2.00	TXN-16	R818-1016B-TXN-16	5549 128-00	818-10-040-R	2	430.21-10D58.0	2
818.20-1D06.500S12B	2.00	TXN-25	R818-2024S-TXN-25	5549 128-10	N/A	0	430.32-12D65.0	2
818.20-1D07.300S13B	2.00	TXN-25	R818-2024S-TXN-25	5549 128-10	N/A	0	430.32-12D70.0	2
818.20-1D07.800S14B	5.00	TXN-25	R818-2024S-TXN-25	5549 128-10	818-12-065-S	2	430.32-12D75.0	2
818.20-1D08.500S15B	5.00	TXN-25	R818-2024S-TXN-25	5549 128-10	818-12-065-S	2	430.32-12D85.0	2
818.20-1D10.000S18B	8.00	TXN-40	R818-2532S-TXN-40	5549 128-20	818-16-110-S	2	430.32-16D110.0	2
818.20-1D13.500S20B	8.00	TXN-40	R818-2532S-TXN-40	5549 128-20	818-16-110-S	2	430.32-16D130.0	2
818.20-1D16.000S22B	8.00	TXN-40	R818-2532S-TXN-40	5549 128-20	818-16-110-S	2	430.32-16D160.0	2
818.20-1D18.500S24B	8.00	TXN-40	R818-2532S-TXN-40	5549 128-20	818-16-110-S	2	430.32-16D180.0	2
818.20-1D21.000S26B	8.00	TXN-40	R818-2532S-TXN-40	5549 128-20	818-18-300-R	2	430.21-18D200.0	2
818.20-1D25.400S30B	8.00	TXN-40	R818-2532S-TXN-40	5549 128-20	818-18-300-R	2	430.21-18D250.0	2

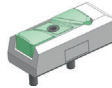



A Leisten (optional)	*)	13 Plattensitzschutz	16 Führungsleiste Zwischenlagensatz	*)	6 Leisten	*)	7 Sicherheits-Führungsleiste Zwischenlagensatz	*)	9 Kunststoff- rückenführung	*)
800-14D065 PM1	2	5549 029-01	5549 127-20	2	801-142067-S	2	5549 126-90	2	5571 001-06	3
800-16D075 PM1	2	5549 029-03	5549 127-20	2	801-142067-S	1	5549 126-90	1	5571 001-07	3
800-18D085 PM1	2	5549 029-04	5549 127-20	2	801-142067-S	1	5549 126-90	1	5571 001-07	3
800-18D085 PM1	2	5549 029-04	5549 127-20	2	801-142067-S	1	5549 126-90	1	5571 001-08	3
800-20D100 PM1	2	5549 029-04	5549 126-10	2	801-202582-S	1	5549 126-91	1	5571 001-09	3
800-24D120 PM1	2	5549 029-05	5549 126-10	2	801-202582-S	1	5549 126-91	1	5571 001-09	3
N/A	-	5549 029-05	5549 126-10	2	801-202582-S	1	5549 126-91	1	5571 001-10	3
N/A	-	5549 029-06	5549 126-10	2	801-202582-S	1	5549 126-91	1	5571 001-11	3
N/A	-	5549 029-06	5549 126-10	2	801-202582-S	1	5549 126-91	1	5571 001-11	3
N/A	-	5549 029-07	N/A	-	801-202582-S	1	5549 126-91	1	5571 001-12	3
N/A	-	5549 029-07	N/A	-	801-202582-S	1	5549 126-91	1	5571 001-12	3
N/A	-	5549 029-07	N/A	-	801-202582-S	1	5549 126-91	1	5571 001-13	3
N/A	-	5549 029-07	N/A	-	801-202582-S	1	5549 126-91	1	5571 001-13	3
N/A	-	N/A	N/A	-	N/A	-	N/A	-	5571 001-05	3
N/A	-	N/A	N/A	-	N/A	-	N/A	-	5571 001-05	3
N/A	-	N/A	N/A	-	N/A	-	5549 126-90	1	5571 001-05	3
N/A	-	N/A	N/A	-	N/A	-	5549 126-90	1	5571 001-06	3
N/A	-	N/A	N/A	-	801-142067-S	1	5549 126-90	1	5571 001-06	3
N/A	-	N/A	N/A	-	801-142067-S	1	5549 126-90	1	5571 001-06	3
N/A	-	N/A	N/A	-	801-142067-S	1	5549 126-90	1	5571 001-06	3
800-14D065 PM1	2	5549 029-01	5549 127-20	2	801-142067-S	2	5549 126-90	2	5571 001-06	3
800-14D065 PM1	2	5549 029-02	5549 127-20	2	801-142067-S	2	5549 126-90	2	5571 001-07	3
800-16D075 PM1	2	5549 029-03	5549 127-20	2	801-142067-S	1	5549 126-90	1	5571 001-07	3
800-18D085 PM1	2	5549 029-04	5549 127-20	2	801-142067-S	1	5549 126-90	1	5571 001-07	3
800-22D110 PM1	2	5549 029-04	5549 127-10	2	801-202582-S	1	5549 126-91	1	5571 001-09	3
800-26D130 PM1	2	5549 029-05	5549 126-10	2	801-202582-S	1	5549 126-91	1	5571 001-10	3
N/A	-	5549 029-06	5549 126-10	2	801-202582-S	1	5549 126-91	1	5571 001-11	3
N/A	-	5549 029-06	5549 126-10	2	801-202582-S	1	5549 126-91	1	5571 001-11	3
N/A	-	5549 029-07	N/A	-	801-202582-S	1	5549 126-91	1	5571 001-12	3
N/A	-	5549 029-07	N/A	-	801-202582-S	1	5549 126-91	1	5571 001-13	3

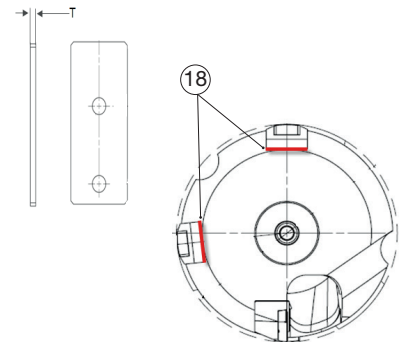
13 Plattensitzschutz	14 Schraube	23 Schlüssel
5549 029-01	3212 020-259	3021 010-030
5549 029-02	3212 020-309	3021 010-040
5549 029-03	3212 020-360	3021 010-050
5549 029-04	3212 020-410	3021 010-060
5549 029-05	3212 020-462	3021 010-080
5549 029-06	3212 010-513	3021 010-100
5549 029-07	3212 010-564	3021 010-140



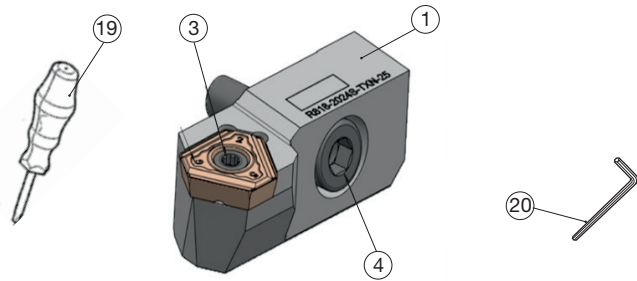
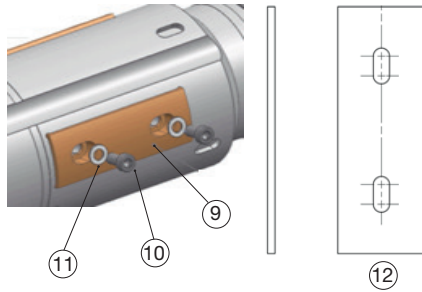
6 Zwischenlage	8 Schraube	21 Schraubendreher
801-142067-S	5513 020-01	5680 046-02
801-202582-S	5513 020-26	5680 046-06



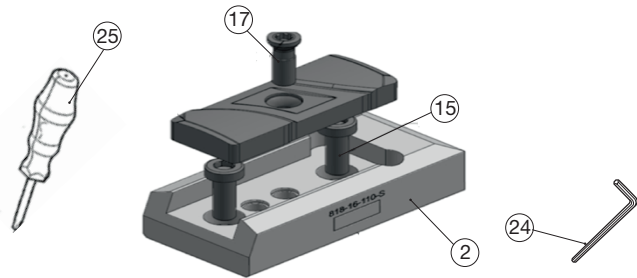
	2 Leisten-Kassetten	18 Zwischenlage	T
	818-12-065-S & 818-12-100-S	5549 127-30	2
		5549 127-31	3
		5549 127-32	5
	818-16-110-S & 818-16-150-S	5549 126-40	2
		5549 126-41	3
		5549 126-42	5
		5549 126-43	8
	818-08-030-R 818-10-030-R 818-10-040-R	5549 126-92	Zwischenlagen-Satz
		5549 128-30	Zwischenlagen-Satz
		5549 126-79	Zwischenlagen-Satz
	818-18-300-R	5549 126-80	2
		5549 126-81	3
		5549 126-82	4
		5549 126-88	8



9	10	11	12
Kunststoff-rückenführung	Schraube	Unterlegscheibe	Zwischenlage
5571 001-01	3212 010-105	3411 010-022	5549 126-51
5571 001-02	3212 010-155	3411 010-027	5549 126-52
5571 001-03	3212 010-155	3411 010-027	5549 126-53
5571 001-04	3212 010-205	3411 010-032	5549 126-54
5571 001-05	3212 010-205	3411 010-032	5549 126-55
5571 001-06	3212 010-257	3411 010-043	5549 126-56
5571 001-07	3212 010-308	3411 010-053	5549 126-57
5571 001-08	3212 010-399	3411 010-064	5549 126-58
5571 001-09	3212 010-399	3411 010-064	5549 126-59
5571 001-10	3212 010-409	3411 010-084	5549 126-60
5571 001-11	3212 010-460	3411 010-105	5549 126-61
5571 001-12	3212 010-460	3411 010-105	5549 126-62
5571 001-13	3212 020-511	3411 010-130	5549 126-63
5571 001-14	3212 020-511	3411 010-130	5549 126-64



1	3	19	4	20
Außereinbauhalter	Wendeplattenschraube	Schraubendreher	Schraube	Schlüssel
R818-1016B-TXN-16	5513 020-02	5680 046-02	3212 010-310	3021 010-040
R818-2024S-TXN-25	5513 020-55	5680 046-06	3212 010-412	3021 010-060
R818-2532S-TXN-40	5513 020-14	5680 046-07	3212 010-464	3021 010-080



2	15	24	17	25
Leisten-Kassetten	Schraube	Schlüssel	Schraube	Schraubendreher
818-08-030-R	148C-831	3021 010-030	5513 030-02	5680 051-02
818-08-040-R	148C-831	3021 010-030	5513 030-02	5680 051-02
818-10-040-R	148C-831	3021 010-030	5513 011-01	5680 051-02
818-12-065-S	3212 020-258	3021 010-030	5513 020-10	5680 046-02
818-12-100-S	3212 020-258	3021 010-030	5513 020-10	5680 046-02
818-16-110-S	3212 020-309	3021 010-040	5513 020-26	5680 046-06
818-16-150-S	3212 020-309	3021 010-040	5513 020-26	5680 046-06
818-18-300-R	3212 010-363	3021 010-050	430.21-820	3021 010-030

5 Einbauhalter Zwischenlagensatz 5549 128-00			Zwischenlagen
Anz.	Größe		
	mm	Zoll	
1	0.05	0.002	5549 128-19
2	0.1	0.004	5549 128-01
2	0.15	0.006	5549 128-02
1	0.5	0.020	5549 128-03
1	1	0.039	5549 128-04
1	2	0.079	5549 128-05

5 Einbauhalter Zwischenlagensatz 5549 128-10			Zwischenlagen
Anz.	Größe		
	mm	Zoll	
1	0.05	0.002	5549 128-18
2	0.1	0.004	5549 128-11
2	0.15	0.006	5549 128-12
1	0.5	0.02	5549 128-13
1	1	0.039	5549 128-14
1	2	0.079	5549 128-15
1	3	0.118	5549 128-16
1	5	0.197	5549 128-17

5 Einbauhalter Zwischenlagensatz 5549 128-20			Zwischenlagen
Anz.	Größe		
	mm	Zoll	
1	0.05	0.002	5549 128-29
2	0.1	0.004	5549 128-21
2	0.15	0.006	5549 128-22
1	0.5	0.02	5549 128-23
1	1	0.039	5549 128-24
1	2	0.079	5549 128-25
1	3	0.118	5549 128-26
1	5	0.197	5549 128-27
1	8	0.315	5549 128-28

7 Sicherheits-Führungsleiste Zwischenlagensatz 5549 126-90			Zwischenlagen
Anz.	Größe		
	mm	Zoll	
1	0.2	0.008	
1	0.5	0.020	
1	1	0.039	

7 Sicherheits-Führungsleiste Zwischenlagensatz 5549 126-91			Zwischenlagen
Anz.	Größe		
	mm	Zoll	
1	0.2	0.008	
1	0.5	0.020	
1	1	0.039	

16 Führungsleiste Zwischenlagensatz 5549 126-10			Zwischenlagen
Anz.	Größe		
	mm	Zoll	
3	0.05	0.002	5549 126-07
3	0.1	0.004	5549 126-01
3	0.15	0.006	5549 126-04
3	0.2	0.008	5549 126-02
3	0.3	0.012	5549 126-03
3	2	0.079	5549 126-05
3	2.5	0.098	5549 126-06

16 Führungsleiste Zwischenlagensatz 5549 127-20			Zwischenlagen
Anz.	Größe		
	mm	Zoll	
3	0.05	0.002	5549 127-22
3	0.1	0.004	5549 127-01
3	0.15	0.006	5549 127-21
3	0.2	0.008	5549 127-02
3	0.3	0.012	5549 127-03
3	0.5	0.020	5549 127-04
3	0.75	0.029	5549 127-23
3	1.5	0.059	5549 127-24
3	2	0.079	5549 127-07

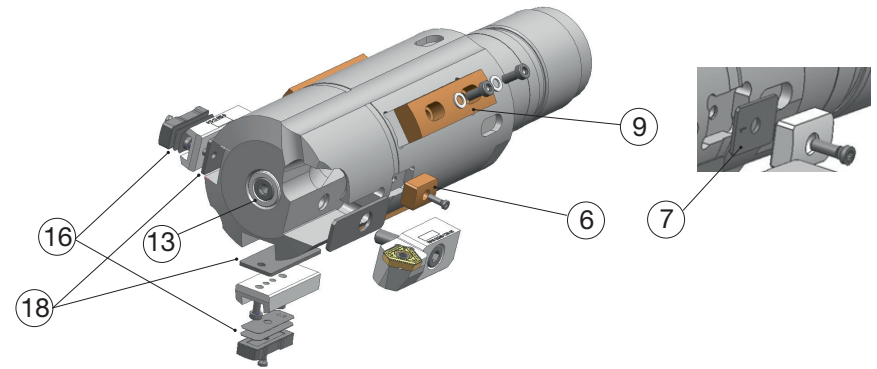
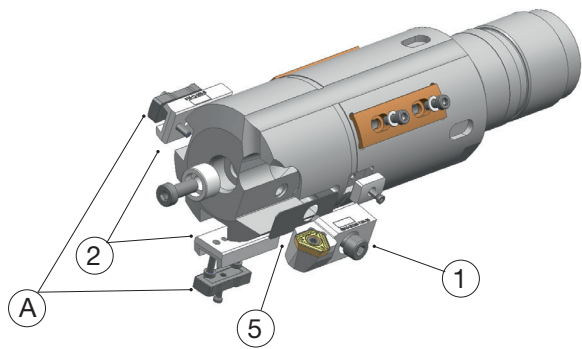
18 Zwischenlagen-Satz 5549 126-92 (Leisten-Kassetten 818-08-030/040-R)			Zwischenlagen
Anz.	Größe		
	mm	Zoll	
1	0.05	0.002	5549 126-104
3	0.1	0.004	5549 126-97
3	0.15	0.006	5549 126-98
1	0.5	0.020	5549 126-101
1	1.5	0.059	5549 126-102
1	2	0.079	5549 126-103

18 Zwischenlagen-Satz 5549 128-30 (Leisten-Kassetten 818-10-040-R)			Zwischenlagen
Anz.	Größe		
	mm	Zoll	
1	0.05	0.002	5549 128-36
3	0.1	0.004	5549 128-31
3	0.15	0.006	5549 128-32
1	0.5	0.020	5549 128-33
1	1	0.039	5549 128-34
1	2	0.079	5549 128-35

18 Zwischenlagen-Satz 5549 126-79 (Leisten-Kassetten 818-18-300-R)			Zwischenlagen
Anz.	Größe		
	mm	Zoll	
1	0.05	0.002	5549 126-87
3	0.1	0.004	5549 126-86
3	0.15	0.006	5549 126-85
1	0.5	0.020	5549 126-84
1	1	0.039	5549 126-83



Bei weiteren Fragen zu entsprechenden Wendeplatten kontaktieren Sie bitte Ihren Sandvik Coromant Ansprechpartner.

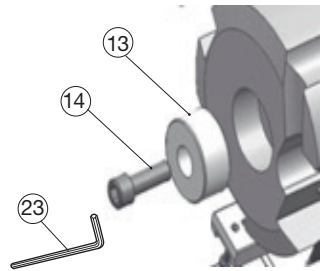


*) Quantità da ordinare **) Regolazione radiale

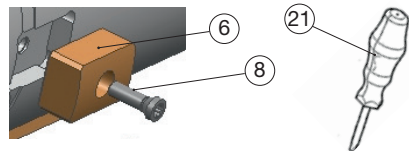
Codice di ordinazione Punta	**) mm (pollici)	Misura inserto	1 Cartuccia periferica	5 Set di supporti per cartuccia	2 Portapattini di supporto	*) A Pattini	*)	
A818.20-1D02.750S13B	(0.079)	TXN-25	R818-2024S-TXN-25	5549 128-10	N/A	0	430.32-12D65.0	2
A818.20-1D03.000S14B	(0.197)	TXN-25	R818-2024S-TXN-25	5549 128-10	818-12-065-S	2	430.32-12D75.0	2
A818.20-1D03.500S15B	(0.197)	TXN-25	R818-2024S-TXN-25	5549 128-10	818-12-065-S	2	430.32-12D85.0	2
A818.20-1D03.750S16B	(0.197)	TXN-40	R818-2532S-TXN-40	5549 128-20	818-12-065-S	2	430.32-12D95.0	2
A818.20-1D04.000S17B	(0.315)	TXN-40	R818-2532S-TXN-40	5549 128-20	818-16-110-S	2	430.32-16D100.0	2
A818.20-1D04.750S19B	(0.315)	TXN-40	R818-2532S-TXN-40	5549 128-20	818-16-110-S	2	430.32-16D120.0	2
A818.20-1D05.750S21B	(0.315)	TXN-40	R818-2532S-TXN-40	5549 128-20	818-16-110-S	2	430.32-16D140.0	2
A818.20-1D06.750S23B	(0.315)	TXN-40	R818-2532S-TXN-40	5549 128-20	818-16-110-S	2	430.32-16D170.0	2
A818.20-1D07.750S25B	(0.315)	TXN-40	R818-2532S-TXN-40	5549 128-20	818-16-110-S	2	430.32-16D180.0	2
A818.20-1D08.750S27B	(0.315)	TXN-40	R818-2532S-TXN-40	5549 128-20	818-18-300-R	2	430.21-18D200.0	2
A818.20-1D09.375S28B	(0.315)	TXN-40	R818-2532S-TXN-40	5549 128-20	818-18-300-R	2	430.21-18D225.0	2
A818.20-1D10.625S30B	(0.315)	TXN-40	R818-2532S-TXN-40	5549 128-20	818-18-300-R	2	430.21-18D250.0	2
A818.20-1D11.250S32B	(0.315)	TXN-40	R818-2532S-TXN-40	5549 128-20	818-18-300-R	2	430.21-18D250.0	2
818.20-1D04.000S08B	1.50	TXN-16	R818-1016B-TXN-16	5549 128-00	818-08-030-R	2	430.21-08D38.0	2
818.20-1D04.300S08B	2.00	TXN-16	R818-1016B-TXN-16	5549 128-00	818-08-040-R	2	430.21-08D38.0	2
818.20-1D04.700S09B	2.00	TXN-16	R818-1016B-TXN-16	5549 128-00	818-10-040-R	2	430.21-10D47.0	2
818.20-1D05.100S10B	2.00	TXN-16	R818-1016B-TXN-16	5549 128-00	818-10-040-R	2	430.21-10D47.0	2
818.20-1D05.500S10B	2.00	TXN-16	R818-1016B-TXN-16	5549 128-00	818-10-040-R	2	430.21-10D52.0	2
818.20-1D05.900S11B	2.00	TXN-16	R818-1016B-TXN-16	5549 128-00	818-10-040-R	2	430.21-10D58.0	2
818.20-1D06.300S12B	2.00	TXN-16	R818-1016B-TXN-16	5549 128-00	818-10-040-R	2	430.21-10D58.0	2
818.20-1D06.500S12B	2.00	TXN-25	R818-2024S-TXN-25	5549 128-10	N/A	0	430.32-12D65.0	2
818.20-1D07.300S13B	2.00	TXN-25	R818-2024S-TXN-25	5549 128-10	N/A	0	430.32-12D75.0	2
818.20-1D07.800S14B	5.00	TXN-25	R818-2024S-TXN-25	5549 128-10	818-12-065-S	2	430.32-12D75.0	2
818.20-1D08.500S15B	5.00	TXN-25	R818-2024S-TXN-25	5549 128-10	818-12-065-S	2	430.32-12D85.0	2
818.20-1D11.000S18B	8.00	TXN-40	R818-2532S-TXN-40	5549 128-20	818-16-110-S	2	430.32-16D110.0	2
818.20-1D13.500S20B	8.00	TXN-40	R818-2532S-TXN-40	5549 128-20	818-16-110-S	2	430.32-16D130.0	2
818.20-1D16.000S22B	8.00	TXN-40	R818-2532S-TXN-40	5549 128-20	818-16-110-S	2	430.32-16D160.0	2
818.20-1D18.500S24B	8.00	TXN-40	R818-2532S-TXN-40	5549 128-20	818-16-110-S	2	430.32-16D180.0	2
818.20-1D21.000S26B	8.00	TXN-40	R818-2532S-TXN-40	5549 128-20	818-18-300-R	2	430.21-18D200.0	2
818.20-1D25.400S30B	8.00	TXN-40	R818-2532S-TXN-40	5549 128-20	818-18-300-R	2	430.21-18D250.0	2




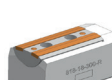
A Pattini (opzionali)	*)	13 Bussola di protezione sede	16 Set di supporti per pattino	*) 6 Pattino	*) 7 Set di supporti per pattino di sicurezza	*) 9 Pattino in fibra grezzo	*)	
800-14D065 PM1	2	5549 029-01	5549 127-20	2	801-142067-S	2	5549 126-90	3
800-16D075 PM1	2	5549 029-03	5549 127-20	2	801-142067-S	1	5549 126-90	3
800-18D085 PM1	2	5549 029-04	5549 127-20	2	801-142067-S	1	5549 126-90	3
800-18D085 PM1	2	5549 029-04	5549 127-20	2	801-142067-S	1	5549 126-90	3
800-20D100 PM1	2	5549 029-04	5549 126-10	2	801-202582-S	1	5549 126-91	3
800-24D120 PM1	2	5549 029-05	5549 126-10	2	801-202582-S	1	5549 126-91	3
N/A	-	5549 029-05	5549 126-10	2	801-202582-S	1	5549 126-91	3
N/A	-	5549 029-06	5549 126-10	2	801-202582-S	1	5549 126-91	3
N/A	-	5549 029-06	5549 126-10	2	801-202582-S	1	5549 126-91	3
N/A	-	5549 029-07	N/A	-	801-202582-S	1	5549 126-91	3
N/A	-	5549 029-07	N/A	-	801-202582-S	1	5549 126-91	3
N/A	-	5549 029-07	N/A	-	801-202582-S	1	5549 126-91	3
N/A	-	5549 029-07	N/A	-	801-202582-S	1	5549 126-91	3
N/A	-	5549 029-07	N/A	-	801-202582-S	1	5549 126-91	3
N/A	-	N/A	N/A	-	N/A	-	5571 001-05	3
N/A	-	N/A	N/A	-	N/A	-	5571 001-05	3
N/A	-	N/A	N/A	-	N/A	-	5549 126-90	3
N/A	-	N/A	N/A	-	N/A	-	5549 126-90	3
N/A	-	N/A	N/A	-	801-142067-S	1	5549 126-90	3
N/A	-	N/A	N/A	-	801-142067-S	1	5549 126-90	3
N/A	-	N/A	N/A	-	801-142067-S	1	5549 126-90	3
800-14D065 PM1	2	5549 029-01	5549 127-20	2	801-142067-S	2	5549 126-90	3
800-14D065 PM1	2	5549 029-02	5549 127-20	2	801-142067-S	2	5549 126-90	3
800-16D075 PM1	2	5549 029-03	5549 127-20	2	801-142067-S	1	5549 126-90	3
800-18D085 PM1	2	5549 029-04	5549 127-20	2	801-142067-S	1	5549 126-90	3
800-22D110 PM1	2	5549 029-04	5549 127-10	2	801-202582-S	1	5549 126-91	3
800-26D130 PM1	2	5549 029-05	5549 126-10	2	801-202582-S	1	5549 126-91	3
N/A	-	5549 029-06	5549 126-10	2	801-202582-S	1	5549 126-91	3
N/A	-	5549 029-06	5549 126-10	2	801-202582-S	1	5549 126-91	3
N/A	-	5549 029-07	N/A	-	801-202582-S	1	5549 126-91	3
N/A	-	5549 029-07	N/A	-	801-202582-S	1	5549 126-91	3

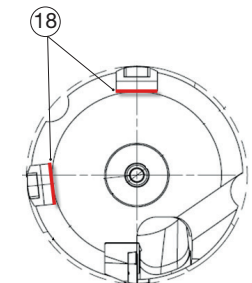
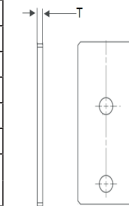
13 Bussola di protezione sede	14 Vite	23 Chiave
5549 029-01	3212 020-259	3021 010-030
5549 029-02	3212 020-309	3021 010-040
5549 029-03	3212 020-360	3021 010-050
5549 029-04	3212 020-410	3021 010-060
5549 029-05	3212 020-462	3021 010-080
5549 029-06	3212 010-513	3021 010-100
5549 029-07	3212 010-564	3021 010-140



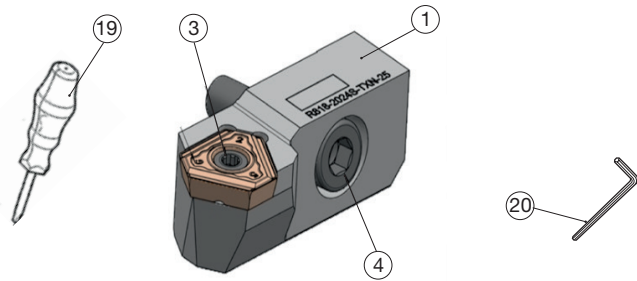
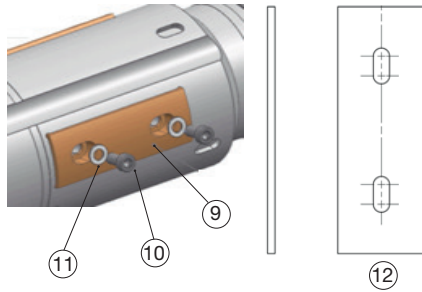
6 Pattino	8 Vite	21 Cacciavite
801-142067-S	5513 020-01	5680 046-02
801-202582-S	5513 020-26	5680 046-06



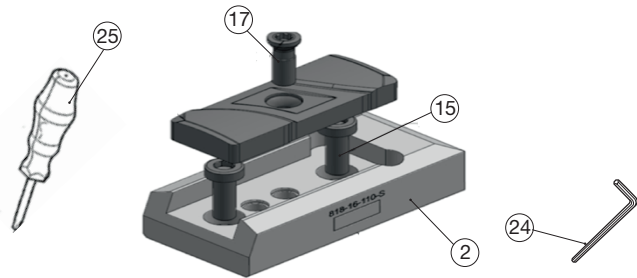
	2 Portapattini di supporto	18 Supporto	T
	818-12-065-S & 818-12-100-S	5549 127-30	2
		5549 127-31	3
		5549 127-32	5
	818-16-110-S & 818-16-150-S	5549 126-40	2
		5549 126-41	3
		5549 126-42	5
	818-08-030-R 818-08-040-R 818-10-030-R 818-10-040-R	5549 126-92	Set di supporti
		5549 128-30	Set di supporti
		5549 126-79	Set di supporti
	818-18-300-R	5549 126-80	2
		5549 126-81	3
		5549 126-82	4
		5549 126-88	8



9	10	11	12
Pattino in fibra grezzo	Vite	Rondella	Supporto
5571 001-01	3212 010-105	3411 010-022	5549 126-51
5571 001-02	3212 010-155	3411 010-027	5549 126-52
5571 001-03	3212 010-155	3411 010-027	5549 126-53
5571 001-04	3212 010-205	3411 010-032	5549 126-54
5571 001-05	3212 010-205	3411 010-032	5549 126-55
5571 001-06	3212 010-257	3411 010-043	5549 126-56
5571 001-07	3212 010-308	3411 010-053	5549 126-57
5571 001-08	3212 010-399	3411 010-064	5549 126-58
5571 001-09	3212 010-399	3411 010-064	5549 126-59
5571 001-10	3212 010-409	3411 010-084	5549 126-60
5571 001-11	3212 010-460	3411 010-105	5549 126-61
5571 001-12	3212 010-460	3411 010-105	5549 126-62
5571 001-13	3212 020-511	3411 010-130	5549 126-63
5571 001-14	3212 020-511	3411 010-130	5549 126-64



1	3	19	4	20
Cartuccia periferica	Vite dell'inserto	Cacciavite	Vite	Chiave
R818-1016B-TXN-16	5513 020-02	5680 046-02	3212 010-310	3021 010-040
R818-2024S-TXN-25	5513 020-55	5680 046-06	3212 010-412	3021 010-060
R818-2532S-TXN-40	5513 020-14	5680 046-07	3212 010-464	3021 010-080



2	15	24	17	25
Portapattini di supporto	Vite	Chiave	Vite	Cacciavite
818-08-030-R	148C-831	3021 010-030	5513 030-02	5680 051-02
818-08-040-R	148C-831	3021 010-030	5513 030-02	5680 051-02
818-10-040-R	148C-831	3021 010-030	5513 011-01	5680 051-02
818-12-065-S	3212 020-258	3021 010-030	5513 020-10	5680 046-02
818-12-100-S	3212 020-258	3021 010-030	5513 020-10	5680 046-02
818-16-110-S	3212 020-309	3021 010-040	5513 020-26	5680 046-06
818-16-150-S	3212 020-309	3021 010-040	5513 020-26	5680 046-06
818-18-300-R	3212 010-363	3021 010-050	430.21-820	3021 010-030

5			Spessori singoli
Pezzi	Dimensioni		
	mm	Pollici	
1	0.05	0.002	5549 128-19
2	0.1	0.004	5549 128-01
2	0.15	0.006	5549 128-02
1	0.5	0.020	5549 128-03
1	1	0.039	5549 128-04
1	2	0.079	5549 128-05

5			Spessori singoli
Pezzi	Dimensioni		
	mm	Pollici	
1	0.05	0.002	5549 128-18
2	0.1	0.004	5549 128-11
2	0.15	0.006	5549 128-12
1	0.5	0.02	5549 128-13
1	1	0.039	5549 128-14
1	2	0.079	5549 128-15
1	3	0.118	5549 128-16
1	5	0.197	5549 128-17

5			Spessori singoli
Pezzi	Dimensioni		
	mm	Pollici	
1	0.05	0.002	5549 128-29
2	0.1	0.004	5549 128-21
2	0.15	0.006	5549 128-22
1	0.5	0.02	5549 128-23
1	1	0.039	5549 128-24
1	2	0.079	5549 128-25
1	3	0.118	5549 128-26
1	5	0.197	5549 128-27
1	8	0.315	5549 128-28

7			Spessori singoli
Pezzi	Dimensioni		
	mm	Pollici	
1	0.2	0.008	
1	0.5	0.020	
1	1	0.039	

7			Spessori singoli
Pezzi	Dimensioni		
	mm	Pollici	
1	0.2	0.008	
1	0.5	0.020	
1	1	0.039	

16			Spessori singoli
Pezzi	Dimensioni		
	mm	Pollici	
3	0.05	0.002	5549 126-07
3	0.1	0.004	5549 126-01
3	0.15	0.006	5549 126-04
3	0.2	0.008	5549 126-02
3	0.3	0.012	5549 126-03
3	2	0.079	5549 126-05
3	2.5	0.098	5549 126-06

16			Spessori singoli
Pezzi	Dimensioni		
	mm	Pollici	
3	0.05	0.002	5549 127-22
3	0.1	0.004	5549 127-01
3	0.15	0.006	5549 127-21
3	0.2	0.008	5549 127-02
3	0.3	0.012	5549 127-03
3	0.5	0.020	5549 127-04
3	0.75	0.029	5549 127-23
3	1.5	0.059	5549 127-24
3	2	0.079	5549 127-07

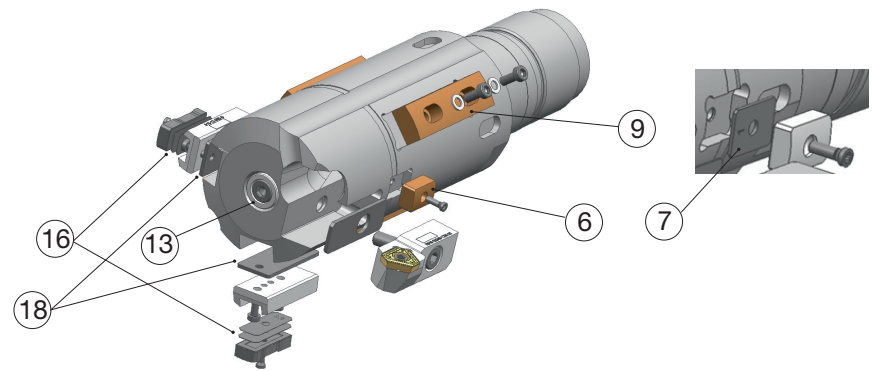
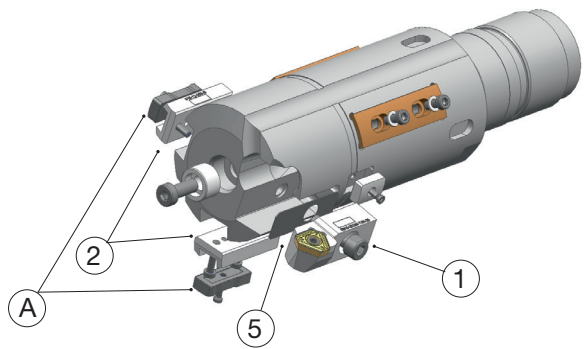
18			Spessori singoli
Pezzi	Dimensioni		
	mm	Pollici	
1	0.05	0.002	5549 126-104
3	0.1	0.004	5549 126-97
3	0.15	0.006	5549 126-98
1	0.5	0.020	5549 126-101
1	1.5	0.059	5549 126-102
1	2	0.079	5549 126-103

18			Spessori singoli
Pezzi	Dimensioni		
	mm	Pollici	
1	0.05	0.002	5549 128-36
3	0.1	0.004	5549 128-31
3	0.15	0.006	5549 128-32
1	0.5	0.020	5549 128-33
1	1	0.039	5549 128-34
1	2	0.079	5549 128-35

18			Spessori singoli
Pezzi	Dimensioni		
	mm	Pollici	
1	0.05	0.002	5549 126-87
3	0.1	0.004	5549 126-86
3	0.15	0.006	5549 126-85
1	0.5	0.020	5549 126-84
1	1	0.039	5549 126-83



Contattare il tecnico di vendita locale di Sandvik Coromant per ulteriori informazioni riguardanti gli inserti appropriati.



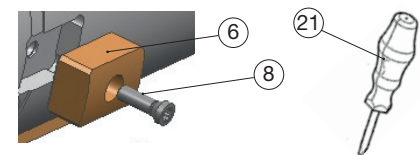
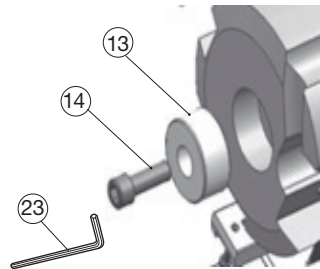
*) 必要数 **) シムによる径調整

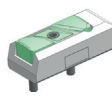



型番 ドリルヘッド	**) mm (inch)	チップサイズ	1 外周カートリッジ	5 カートリッジシムセット	2 パッドシューズ	*)	A パッド	*)
A818.20-1D02.750S13B	(0.079)	TXN-25	R818-2024S-TXN-25	5549 128-10	N/A	0	430.32-12D65.0	2
A818.20-1D03.000S14B	(0.197)	TXN-25	R818-2024S-TXN-25	5549 128-10	818-12-065-S	2	430.32-12D75.0	2
A818.20-1D03.500S15B	(0.197)	TXN-25	R818-2024S-TXN-25	5549 128-10	818-12-065-S	2	430.32-12D85.0	2
A818.20-1D03.750S16B	(0.197)	TXN-40	R818-2532S-TXN-40	5549 128-20	818-12-065-S	2	430.32-12D95.0	2
A818.20-1D04.000S17B	(0.315)	TXN-40	R818-2532S-TXN-40	5549 128-20	818-16-110-S	2	430.32-16D100.0	2
A818.20-1D04.750S19B	(0.315)	TXN-40	R818-2532S-TXN-40	5549 128-20	818-16-110-S	2	430.32-16D120.0	2
A818.20-1D05.750S21B	(0.315)	TXN-40	R818-2532S-TXN-40	5549 128-20	818-16-110-S	2	430.32-16D140.0	2
A818.20-1D06.750S23B	(0.315)	TXN-40	R818-2532S-TXN-40	5549 128-20	818-16-110-S	2	430.32-16D170.0	2
A818.20-1D07.750S25B	(0.315)	TXN-40	R818-2532S-TXN-40	5549 128-20	818-16-110-S	2	430.32-16D180.0	2
A818.20-1D08.750S27B	(0.315)	TXN-40	R818-2532S-TXN-40	5549 128-20	818-18-300-R	2	430.21-18D200.0	2
A818.20-1D09.375S28B	(0.315)	TXN-40	R818-2532S-TXN-40	5549 128-20	818-18-300-R	2	430.21-18D225.0	2
A818.20-1D10.625S30B	(0.315)	TXN-40	R818-2532S-TXN-40	5549 128-20	818-18-300-R	2	430.21-18D250.0	2
A818.20-1D11.250S32B	(0.315)	TXN-40	R818-2532S-TXN-40	5549 128-20	818-18-300-R	2	430.21-18D250.0	2
818.20-1D04.00S08B	1.50	TXN-16	R818-1016B-TXN-16	5549 128-00	818-08-030-R	2	430.21-08D38.0	2
818.20-1D04.300S08B	2.00	TXN-16	R818-1016B-TXN-16	5549 128-00	818-08-040-R	2	430.21-08D38.0	2
818.20-1D04.700S09B	2.00	TXN-16	R818-1016B-TXN-16	5549 128-00	818-10-040-R	2	430.21-10D47.0	2
818.20-1D05.100S10B	2.00	TXN-16	R818-1016B-TXN-16	5549 128-00	818-10-040-R	2	430.21-10D47.0	2
818.20-1D05.500S10B	2.00	TXN-16	R818-1016B-TXN-16	5549 128-00	818-10-040-R	2	430.21-10D52.0	2
818.20-1D05.900S11B	2.00	TXN-16	R818-1016B-TXN-16	5549 128-00	818-10-040-R	2	430.21-10D58.0	2
818.20-1D06.300S12B	2.00	TXN-16	R818-1016B-TXN-16	5549 128-00	818-10-040-R	2	430.21-10D58.0	2
818.20-1D06.500S12B	2.00	TXN-25	R818-2024S-TXN-25	5549 128-10	N/A	0	430.32-12D65.0	2
818.20-1D07.300S13B	2.00	TXN-25	R818-2024S-TXN-25	5549 128-10	N/A	0	430.32-12D70.0	2
818.20-1D07.800S14B	5.00	TXN-25	R818-2024S-TXN-25	5549 128-10	818-12-065-S	2	430.32-12D75.0	2
818.20-1D08.500S15B	5.00	TXN-25	R818-2024S-TXN-25	5549 128-10	818-12-065-S	2	430.32-12D85.0	2
818.20-1D10.00S18B	8.00	TXN-40	R818-2532S-TXN-40	5549 128-20	818-16-110-S	2	430.32-16D110.0	2
818.20-1D13.500S20B	8.00	TXN-40	R818-2532S-TXN-40	5549 128-20	818-16-110-S	2	430.32-16D130.0	2
818.20-1D16.00S22B	8.00	TXN-40	R818-2532S-TXN-40	5549 128-20	818-16-110-S	2	430.32-16D160.0	2
818.20-1D18.500S24B	8.00	TXN-40	R818-2532S-TXN-40	5549 128-20	818-16-110-S	2	430.32-16D180.0	2
818.20-1D21.00S26B	8.00	TXN-40	R818-2532S-TXN-40	5549 128-20	818-18-300-R	2	430.21-18D200.0	2
818.20-1D25.400S30B	8.00	TXN-40	R818-2532S-TXN-40	5549 128-20	818-18-300-R	2	430.21-18D250.0	2

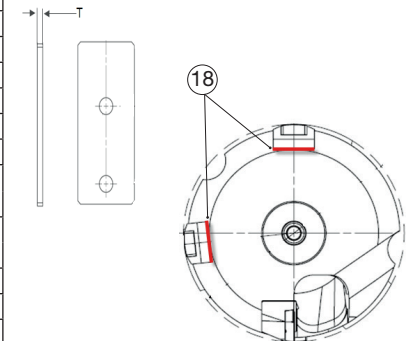
A パッド (オプション)	*)	13 シートプロテ クション プレート	16 パッドシムセ ット	*)	6 パッド	*)	7 セーフティパッドシム セット	*)	9 ファイバーパッド ブラック	*)
800-14D065 PM1	2	5549 029-01	5549 127-20	2	801-142067-S	2	5549 126-90	2	5571 001-06	3
800-16D075 PM1	2	5549 029-03	5549 127-20	2	801-142067-S	1	5549 126-90	1	5571 001-07	3
800-18D085 PM1	2	5549 029-04	5549 127-20	2	801-142067-S	1	5549 126-90	1	5571 001-07	3
800-18D085 PM1	2	5549 029-04	5549 127-20	2	801-142067-S	1	5549 126-90	1	5571 001-08	3
800-20D100 PM1	2	5549 029-04	5549 126-10	2	801-202582-S	1	5549 126-91	1	5571 001-09	3
800-24D120 PM1	2	5549 029-05	5549 126-10	2	801-202582-S	1	5549 126-91	1	5571 001-09	3
N/A	2	5549 029-05	5549 126-10	2	801-202582-S	1	5549 126-91	1	5571 001-10	3
N/A	-	5549 029-06	5549 126-10	2	801-202582-S	1	5549 126-91	1	5571 001-11	3
N/A	-	5549 029-06	5549 126-10	2	801-202582-S	1	5549 126-91	1	5571 001-11	3
N/A	-	5549 029-07	N/A	-	801-202582-S	1	5549 126-91	1	5571 001-12	3
N/A	-	5549 029-07	N/A	-	801-202582-S	1	5549 126-91	1	5571 001-12	3
N/A	-	5549 029-07	N/A	-	801-202582-S	1	5549 126-91	1	5571 001-13	3
N/A	-	5549 029-07	N/A	-	801-202582-S	1	5549 126-91	1	5571 001-13	3
N/A	-	5549 029-07	N/A	-	801-202582-S	1	5549 126-91	1	5571 001-13	3
N/A	-	N/A	N/A	-	N/A	-	N/A	-	5571 001-05	3
N/A	-	N/A	N/A	-	N/A	-	N/A	-	5571 001-05	3
N/A	-	N/A	N/A	-	N/A	-	5549 126-90	1	5571 001-05	3
N/A	-	N/A	N/A	-	N/A	-	5549 126-90	1	5571 001-06	3
N/A	-	N/A	N/A	-	801-142067-S	1	5549 126-90	1	5571 001-06	3
N/A	-	N/A	N/A	-	801-142067-S	1	5549 126-90	1	5571 001-06	3
N/A	-	N/A	N/A	-	801-142067-S	1	5549 126-90	1	5571 001-06	3
800-14D065 PM1	2	5549 029-01	5549 127-20	2	801-142067-S	2	5549 126-90	2	5571 001-06	3
800-14D065 PM1	2	5549 029-02	5549 127-20	2	801-142067-S	2	5549 126-90	2	5571 001-07	3
800-16D075 PM1	2	5549 029-03	5549 127-20	2	801-142067-S	1	5549 126-90	1	5571 001-07	3
800-18D085 PM1	2	5549 029-04	5549 127-20	2	801-142067-S	1	5549 126-90	1	5571 001-07	3
800-22D110 PM1	2	5549 029-04	5549 127-10	2	801-202582-S	1	5549 126-91	1	5571 001-09	3
800-26D130 PM1	2	5549 029-05	5549 126-10	2	801-202582-S	1	5549 126-91	1	5571 001-10	3
N/A	-	5549 029-06	5549 126-10	2	801-202582-S	1	5549 126-91	1	5571 001-11	3
N/A	-	5549 029-06	5549 126-10	2	801-202582-S	1	5549 126-91	1	5571 001-11	3
N/A	-	5549 029-07	N/A	-	801-202582-S	1	5549 126-91	1	5571 001-12	3
N/A	-	5549 029-07	N/A	-	801-202582-S	1	5549 126-91	1	5571 001-13	3

13 シートプロテク ション プレート	14 スクリュー	23 レンチ
5549 029-01	3212 020-259	3021 010-030
5549 029-02	3212 020-309	3021 010-040
5549 029-03	3212 020-360	3021 010-050
5549 029-04	3212 020-410	3021 010-060
5549 029-05	3212 020-462	3021 010-080
5549 029-06	3212 010-513	3021 010-100
5549 029-07	3212 010-564	3021 010-140

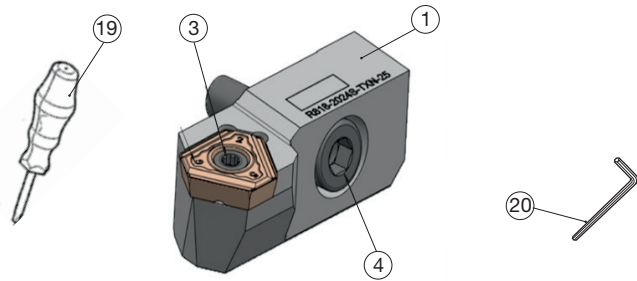
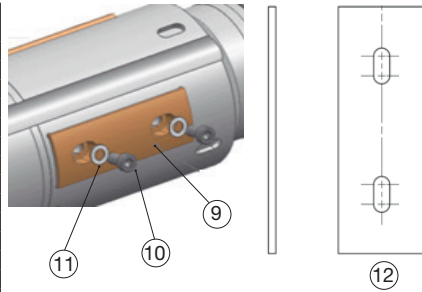
6 パッド	8 スクリュー	21 レンチ
801-142067-S	5513 020-01	5680 046-02
801-202582-S	5513 020-26	5680 046-06



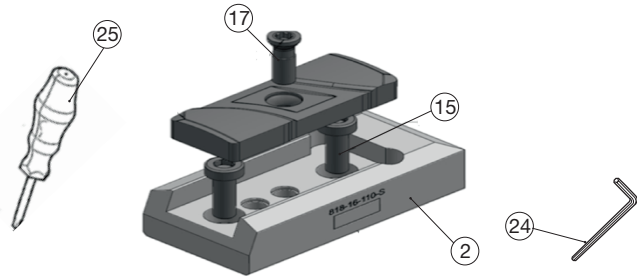
	2 パッドシューズ	18 シム	T
	818-12-065-S & 818-12-100-S	5549 127-30	2
		5549 127-31	3
		5549 127-32	5
		5549 126-40	2
	818-16-110-S & 818-16-150-S	5549 126-41	3
		5549 126-42	5
		5549 126-43	8
	818-08-030-R & 818-10-030-R	5549 126-92	シムセット
	818-10-040-R	5549 126-79	シムセット
		5549 126-80	2
		5549 126-81	3
		5549 126-82	4
		5549 126-88	8



9 ファイバーパッドブランク	10 スクリュー	11 ワッシャー	12 シム
5571 001-01	3212 010-105	3411 010-022	5549 126-51
5571 001-02	3212 010-155	3411 010-027	5549 126-52
5571 001-03	3212 010-155	3411 010-027	5549 126-53
5571 001-04	3212 010-205	3411 010-032	5549 126-54
5571 001-05	3212 010-205	3411 010-032	5549 126-55
5571 001-06	3212 010-257	3411 010-043	5549 126-56
5571 001-07	3212 010-308	3411 010-053	5549 126-57
5571 001-08	3212 010-399	3411 010-064	5549 126-58
5571 001-09	3212 010-399	3411 010-064	5549 126-59
5571 001-10	3212 010-409	3411 010-084	5549 126-60
5571 001-11	3212 010-460	3411 010-105	5549 126-61
5571 001-12	3212 010-460	3411 010-105	5549 126-62
5571 001-13	3212 020-511	3411 010-130	5549 126-63
5571 001-14	3212 020-511	3411 010-130	5549 126-64



1 外周カートリッジ	3 チップスクリュー	19 レンチ	4 スクリュー	20 レンチ
R818-1016B-TXN-16	5513 020-02	5680 046-02	3212 010-310	3021 010-040
R818-2024S-TXN-25	5513 020-55	5680 046-06	3212 010-412	3021 010-060
R818-2532S-TXN-40	5513 020-14	5680 046-07	3212 010-464	3021 010-080



2 パッドシューズ	15 スクリュー	24 レンチ	17 スクリュー	25 レンチ
818-08-030-R	148C-831	3021 010-030	5513 030-02	5680 051-02
818-08-040-R	148C-831	3021 010-030	5513 030-02	5680 051-02
818-10-040-R	148C-831	3021 010-030	5513 011-01	5680 051-02
818-12-065-S	3212 020-258	3021 010-030	5513 020-10	5680 046-02
818-12-100-S	3212 020-258	3021 010-030	5513 020-10	5680 046-02
818-16-110-S	3212 020-309	3021 010-040	5513 020-26	5680 046-06
818-16-150-S	3212 020-309	3021 010-040	5513 020-26	5680 046-06
818-18-300-R	3212 010-363	3021 010-050	430.21-820	3021 010-030



チップに関する詳細は、最寄のサンドビック・コロマント営業所にお問い合わせください。

5 カートリッジシムセット 5549 128-00			シム単品
個数	サイズ		
	mm	Inch	
1	0.05	0.002	5549 128-19
2	0.1	0.004	5549 128-01
2	0.15	0.006	5549 128-02
1	0.5	0.020	5549 128-03
1	1	0.039	5549 128-04
1	2	0.079	5549 128-05

5 カートリッジシムセット 5549 128-10			シム単品
個数	サイズ		
	mm	Inch	
1	0.05	0.002	5549 128-18
2	0.1	0.004	5549 128-11
2	0.15	0.006	5549 128-12
1	0.5	0.02	5549 128-13
1	1	0.039	5549 128-14
1	2	0.079	5549 128-15
1	3	0.118	5549 128-16
1	5	0.197	5549 128-17

5 カートリッジシムセット 5549 128-20			シム単品
個数	サイズ		
	mm	Inch	
1	0.05	0.002	5549 128-29
2	0.1	0.004	5549 128-21
2	0.15	0.006	5549 128-22
1	0.5	0.02	5549 128-23
1	1	0.039	5549 128-24
1	2	0.079	5549 128-25
1	3	0.118	5549 128-26
1	5	0.197	5549 128-27
1	8	0.315	5549 128-28

7 セーフティパッドシムセット 5549 126-90			シム単品
個数	サイズ		
	mm	Inch	
1	0.2	0.008	
1	0.5	0.020	
1	1	0.039	

7 セーフティパッドシムセット 5549 126-91			シム単品
個数	サイズ		
	mm	Inch	
1	0.2	0.008	
1	0.5	0.020	
1	1	0.039	

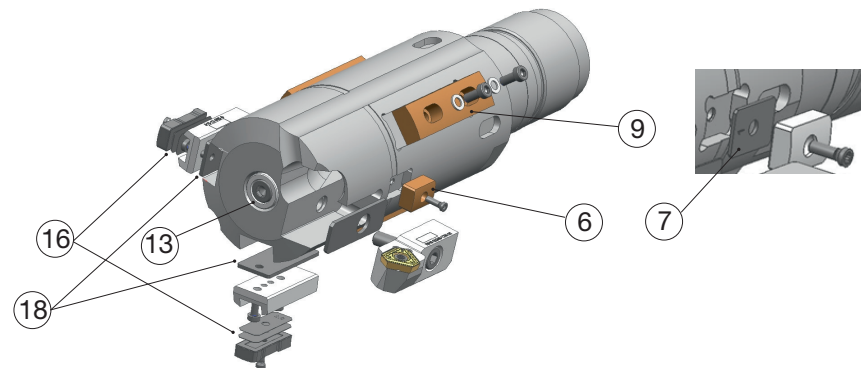
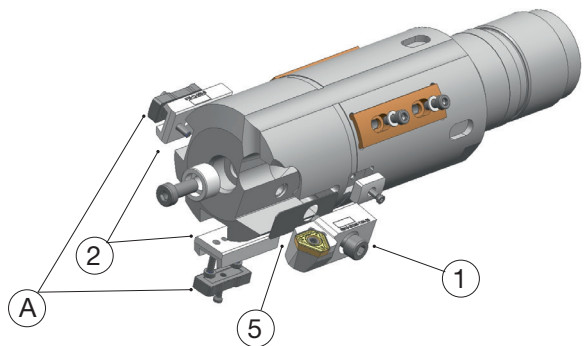
16 パッドシムセット 5549 126-10			シム単品
個数	サイズ		
	mm	Inch	
3	0.05	0.002	5549 126-07
3	0.1	0.004	5549 126-01
3	0.15	0.006	5549 126-04
3	0.2	0.008	5549 126-02
3	0.3	0.012	5549 126-03
3	2	0.079	5549 126-05
3	2.5	0.098	5549 126-06

16 パッドシムセット 5549 127-20			シム単品
個数	サイズ		
	mm	Inch	
3	0.05	0.002	5549 127-22
3	0.1	0.004	5549 127-01
3	0.15	0.006	5549 127-21
3	0.2	0.008	5549 127-02
3	0.3	0.012	5549 127-03
3	0.5	0.020	5549 127-04
3	0.75	0.029	5549 127-23
3	1.5	0.059	5549 127-24
3	2	0.079	5549 127-07

18 シムセット 5549 126-92 (パッドシューズ 818-08-030/040-R)			シム単品
個数	サイズ		
	mm	Inch	
1	0.05	0.002	5549 126-104
3	0.1	0.004	5549 126-97
3	0.15	0.006	5549 126-98
1	0.5	0.020	5549 126-101
1	1.5	0.059	5549 126-102
1	2	0.079	5549 126-103

18 シムセット 5549 128-30 (パッドシューズ 818-10-040-R)			シム単品
個数	サイズ		
	mm	Inch	
1	0.05	0.002	5549 128-36
3	0.1	0.004	5549 128-31
3	0.15	0.006	5549 128-32
1	0.5	0.020	5549 128-33
1	1	0.039	5549 128-34
1	2	0.079	5549 128-35

18 シムセット 5549 126-79 (パッドシューズ 818-18-300-R)			シム単品
個数	サイズ		
	mm	Inch	
1	0.05	0.002	5549 126-87
3	0.1	0.004	5549 126-86
3	0.15	0.006	5549 126-85
1	0.5	0.020	5549 126-84
1	1	0.039	5549 126-83

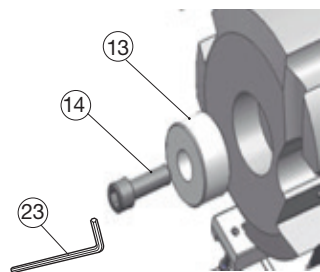


*) Quantidade para solicitação **) Ajuste radial

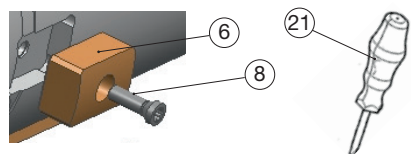
Código para pedido Cabeça de broca	**) mm (pol.)	Tamanho da pastilha	1 Cápsula periférica	5 Jogo de calço para cápsula	2 Sapatas	*)	A Guias	*)
A818.20-1D02.750S13B	(0.079)	TXN-25	R818-2024S-TXN-25	5549 128-10	N/A	0	430.32-12D65.0	2
A818.20-1D03.000S14B	(0.197)	TXN-25	R818-2024S-TXN-25	5549 128-10	818-12-065-S	2	430.32-12D75.0	2
A818.20-1D03.500S15B	(0.197)	TXN-25	R818-2024S-TXN-25	5549 128-10	818-12-065-S	2	430.32-12D85.0	2
A818.20-1D03.750S16B	(0.197)	TXN-40	R818-2532S-TXN-40	5549 128-20	818-12-065-S	2	430.32-12D95.0	2
A818.20-1D04.000S17B	(0.315)	TXN-40	R818-2532S-TXN-40	5549 128-20	818-16-110-S	2	430.32-16D100.0	2
A818.20-1D04.750S19B	(0.315)	TXN-40	R818-2532S-TXN-40	5549 128-20	818-16-110-S	2	430.32-16D120.0	2
A818.20-1D05.750S21B	(0.315)	TXN-40	R818-2532S-TXN-40	5549 128-20	818-16-110-S	2	430.32-16D140.0	2
A818.20-1D06.750S23B	(0.315)	TXN-40	R818-2532S-TXN-40	5549 128-20	818-16-110-S	2	430.32-16D170.0	2
A818.20-1D07.750S25B	(0.315)	TXN-40	R818-2532S-TXN-40	5549 128-20	818-16-110-S	2	430.32-16D180.0	2
A818.20-1D08.750S27B	(0.315)	TXN-40	R818-2532S-TXN-40	5549 128-20	818-18-300-R	2	430.21-18D200.0	2
A818.20-1D09.375S28B	(0.315)	TXN-40	R818-2532S-TXN-40	5549 128-20	818-18-300-R	2	430.21-18D225.0	2
A818.20-1D10.625S30B	(0.315)	TXN-40	R818-2532S-TXN-40	5549 128-20	818-18-300-R	2	430.21-18D250.0	2
A818.20-1D11.250S32B	(0.315)	TXN-40	R818-2532S-TXN-40	5549 128-20	818-18-300-R	2	430.21-18D250.0	2
818.20-1D04.000S08B	1.50	TXN-16	R818-1016B-TXN-16	5549 128-00	818-08-030-R	2	430.21-08D38.0	2
818.20-1D04.300S08B	2.00	TXN-16	R818-1016B-TXN-16	5549 128-00	818-08-040-R	2	430.21-08D38.0	2
818.20-1D04.700S09B	2.00	TXN-16	R818-1016B-TXN-16	5549 128-00	818-10-040-R	2	430.21-10D47.0	2
818.20-1D05.100S10B	2.00	TXN-16	R818-1016B-TXN-16	5549 128-00	818-10-040-R	2	430.21-10D47.0	2
818.20-1D05.500S10B	2.00	TXN-16	R818-1016B-TXN-16	5549 128-00	818-10-040-R	2	430.21-10D52.0	2
818.20-1D05.900S11B	2.00	TXN-16	R818-1016B-TXN-16	5549 128-00	818-10-040-R	2	430.21-10D58.0	2
818.20-1D06.300S12B	2.00	TXN-16	R818-1016B-TXN-16	5549 128-00	818-10-040-R	2	430.21-10D58.0	2
818.20-1D06.600S12B	2.00	TXN-25	R818-2024S-TXN-25	5549 128-10	N/A	0	430.32-12D65.0	2
818.20-1D07.300S13B	2.00	TXN-25	R818-2024S-TXN-25	5549 128-10	N/A	0	430.32-12D70.0	2
818.20-1D07.800S14B	5.00	TXN-25	R818-2024S-TXN-25	5549 128-10	818-12-065-S	2	430.32-12D75.0	2
818.20-1D08.500S15B	5.00	TXN-25	R818-2024S-TXN-25	5549 128-10	818-12-065-S	2	430.32-12D85.0	2
818.20-1D10.000S18B	8.00	TXN-40	R818-2532S-TXN-40	5549 128-20	818-16-110-S	2	430.32-16D110.0	2
818.20-1D13.500S20B	8.00	TXN-40	R818-2532S-TXN-40	5549 128-20	818-16-110-S	2	430.32-16D130.0	2
818.20-1D16.000S22B	8.00	TXN-40	R818-2532S-TXN-40	5549 128-20	818-16-110-S	2	430.32-16D160.0	2
818.20-1D18.500S24B	8.00	TXN-40	R818-2532S-TXN-40	5549 128-20	818-16-110-S	2	430.32-16D180.0	2
818.20-1D21.000S26B	8.00	TXN-40	R818-2532S-TXN-40	5549 128-20	818-18-300-R	2	430.21-18D200.0	2
818.20-1D25.400S30B	8.00	TXN-40	R818-2532S-TXN-40	5549 128-20	818-18-300-R	2	430.21-18D250.0	2

A Guias (opcional)	*)	13 Placa de proteção do assento	16 Jogo de calço da guia	*)	6 Guias	*)	7 Jogo de calço para guia de segurança	*)	9 Blank de fibra da guia	*)
800-14D065 PM1	2	5549 029-01	5549 127-20	2	801-142067-S	2	5549 126-90	2	5571 001-06	3
800-16D075 PM1	2	5549 029-03	5549 127-20	2	801-142067-S	1	5549 126-90	1	5571 001-07	3
800-18D085 PM1	2	5549 029-04	5549 127-20	2	801-142067-S	1	5549 126-90	1	5571 001-07	3
800-18D085 PM1	2	5549 029-04	5549 127-20	2	801-142067-S	1	5549 126-90	1	5571 001-08	3
800-20D100 PM1	2	5549 029-04	5549 126-10	2	801-202582-S	1	5549 126-91	1	5571 001-09	3
800-24D120 PM1	2	5549 029-05	5549 126-10	2	801-202582-S	1	5549 126-91	1	5571 001-09	3
N/A	2	5549 029-05	5549 126-10	2	801-202582-S	1	5549 126-91	1	5571 001-10	3
N/A	-	5549 029-06	5549 126-10	2	801-202582-S	1	5549 126-91	1	5571 001-11	3
N/A	-	5549 029-06	5549 126-10	2	801-202582-S	1	5549 126-91	1	5571 001-11	3
N/A	-	5549 029-07	N/A	-	801-202582-S	1	5549 126-91	1	5571 001-12	3
N/A	-	5549 029-07	N/A	-	801-202582-S	1	5549 126-91	1	5571 001-12	3
N/A	-	5549 029-07	N/A	-	801-202582-S	1	5549 126-91	1	5571 001-13	3
N/A	-	5549 029-07	N/A	-	801-202582-S	1	5549 126-91	1	5571 001-13	3
N/A	-	N/A	N/A	-	N/A	-	N/A	-	5571 001-05	3
N/A	-	N/A	N/A	-	N/A	-	N/A	-	5571 001-05	3
N/A	-	N/A	N/A	-	N/A	-	5549 126-90	1	5571 001-05	3
N/A	-	N/A	N/A	-	N/A	-	5549 126-90	1	5571 001-06	3
N/A	-	N/A	N/A	-	801-142067-S	1	5549 126-90	1	5571 001-06	3
N/A	-	N/A	N/A	-	801-142067-S	1	5549 126-90	1	5571 001-06	3
N/A	-	N/A	N/A	-	801-142067-S	1	5549 126-90	1	5571 001-06	3
800-14D065 PM1	2	5549 029-01	5549 127-20	2	801-142067-S	2	5549 126-90	2	5571 001-06	3
800-14D065 PM1	2	5549 029-02	5549 127-20	2	801-142067-S	2	5549 126-90	2	5571 001-07	3
800-16D075 PM1	2	5549 029-03	5549 127-20	2	801-142067-S	1	5549 126-90	1	5571 001-07	3
800-18D085 PM1	2	5549 029-04	5549 127-20	2	801-142067-S	1	5549 126-90	1	5571 001-07	3
800-22D110 PM1	2	5549 029-04	5549 127-10	2	801-202582-S	1	5549 126-91	1	5571 001-09	3
800-26D130 PM1	2	5549 029-05	5549 126-10	2	801-202582-S	1	5549 126-91	1	5571 001-10	3
N/A	-	5549 029-06	5549 126-10	2	801-202582-S	1	5549 126-91	1	5571 001-11	3
N/A	-	5549 029-06	5549 126-10	2	801-202582-S	1	5549 126-91	1	5571 001-11	3
N/A	-	5549 029-07	N/A	-	801-202582-S	1	5549 126-91	1	5571 001-12	3
N/A	-	5549 029-07	N/A	-	801-202582-S	1	5549 126-91	1	5571 001-12	3

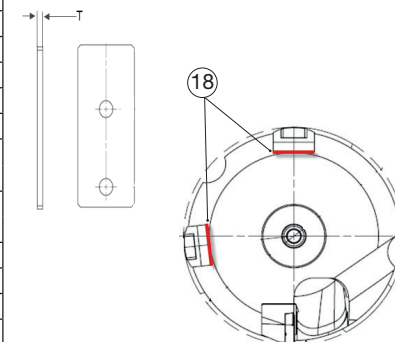
13 Placa de proteção do assento	14 Parafuso	23 Chave
5549 029-01	3212 020-259	3021 010-030
5549 029-02	3212 020-309	3021 010-040
5549 029-03	3212 020-360	3021 010-050
5549 029-04	3212 020-410	3021 010-060
5549 029-05	3212 020-462	3021 010-080
5549 029-06	3212 010-513	3021 010-100
5549 029-07	3212 010-564	3021 010-140



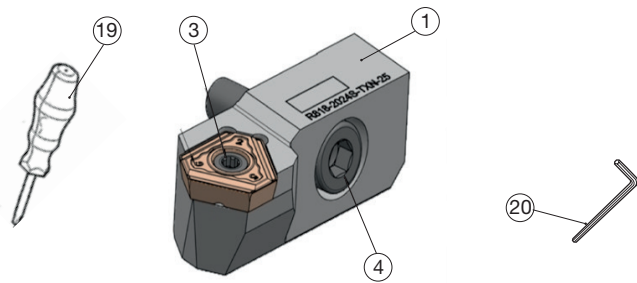
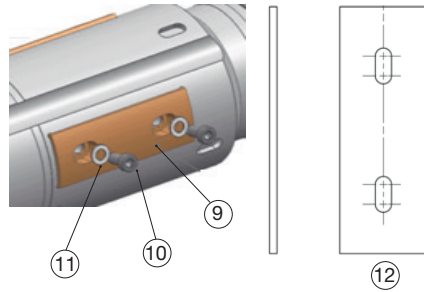
6 Guias	8 Parafuso	21 Chave (Torx Plus)
801-142067-S	5513 020-01	5680 046-02
801-202582-S	5513 020-26	5680 046-06



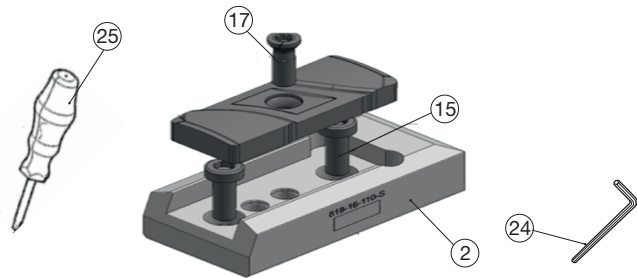
	2 Sapatas	18 Calço	T
	818-12-065-S & 818-12-100-S	5549 127-30	2
		5549 127-31	3
		5549 127-32	5
	818-16-110-S & 818-16-150-S	5549 126-40	2
		5549 126-41	3
		5549 126-42	5
	818-08-030-R 818-08-040-R 818-10-030-R 818-10-040-R	5549 126-92	Jogo de calço
		5549 128-30	Jogo de calço
		5549 126-79	Jogo de calço
	818-18-300-R	5549 126-80	2
		5549 126-81	3
		5549 126-82	4
		5549 126-88	8



9	10	11	12
Blank de fibra da guia	Parafuso	Arruela	Calço
5571 001-01	3212 010-105	3411 010-022	5549 126-51
5571 001-02	3212 010-155	3411 010-027	5549 126-52
5571 001-03	3212 010-155	3411 010-027	5549 126-53
5571 001-04	3212 010-205	3411 010-032	5549 126-54
5571 001-05	3212 010-205	3411 010-032	5549 126-55
5571 001-06	3212 010-257	3411 010-043	5549 126-56
5571 001-07	3212 010-308	3411 010-053	5549 126-57
5571 001-08	3212 010-399	3411 010-064	5549 126-58
5571 001-09	3212 010-399	3411 010-064	5549 126-59
5571 001-10	3212 010-409	3411 010-084	5549 126-60
5571 001-11	3212 010-460	3411 010-105	5549 126-61
5571 001-12	3212 010-460	3411 010-105	5549 126-62
5571 001-13	3212 020-511	3411 010-130	5549 126-63
5571 001-14	3212 020-511	3411 010-130	5549 126-64



1	3	19	4	20
Cápsula periférica	Parafuso da pastilha	Chave (Torx Plus)	Parafuso	Chave
R818-1016B-TXN-16	5513 020-02	5680 046-02	3212 010-310	3021 010-040
R818-2024S-TXN-25	5513 020-55	5680 046-06	3212 010-412	3021 010-060
R818-2532S-TXN-40	5513 020-14	5680 046-07	3212 010-464	3021 010-080



2	15	24	17	25
Sapatas	Parafuso	Chave	Parafuso	Chave (Torx Plus)
818-08-030-R	148C-831	3021 010-030	5513 030-02	5680 051-02
818-08-040-R	148C-831	3021 010-030	5513 030-02	5680 051-02
818-10-040-R	148C-831	3021 010-030	5513 011-01	5680 051-02
818-12-065-S	3212 020-258	3021 010-030	5513 020-10	5680 046-02
818-12-100-S	3212 020-258	3021 010-030	5513 020-10	5680 046-02
818-16-110-S	3212 020-309	3021 010-040	5513 020-26	5680 046-06
818-16-150-S	3212 020-309	3021 010-040	5513 020-26	5680 046-06
818-18-300-R	3212 010-363	3021 010-050	430.21-820	3021 010-030

5			Calços individuais
Peças	Tamanho		
	mm	Pol.	
1	0.05	0.002	5549 128-19
2	0.1	0.004	5549 128-01
2	0.15	0.006	5549 128-02
1	0.5	0.020	5549 128-03
1	1	0.039	5549 128-04
1	2	0.079	5549 128-05

5			Calços individuais
Peças	Tamanho		
	mm	Pol.	
1	0.05	0.002	5549 128-18
2	0.1	0.004	5549 128-11
2	0.15	0.006	5549 128-12
1	0.5	0.02	5549 128-13
1	1	0.039	5549 128-14
1	2	0.079	5549 128-15
1	3	0.118	5549 128-16
1	5	0.197	5549 128-17

5			Calços individuais
Peças	Tamanho		
	mm	Pol.	
1	0.05	0.002	5549 128-29
2	0.1	0.004	5549 128-21
2	0.15	0.006	5549 128-22
1	0.5	0.02	5549 128-23
1	1	0.039	5549 128-24
1	2	0.079	5549 128-25
1	3	0.118	5549 128-26
1	5	0.197	5549 128-27
1	8	0.315	5549 128-28

7			Calços individuais
Peças	Tamanho		
	mm	Pol.	
1	0.2	0.008	
1	0.5	0.020	
1	1	0.039	

7			Calços individuais
Peças	Tamanho		
	mm	Pol.	
1	0.2	0.008	
1	0.5	0.020	
1	1	0.039	

16			Calços individuais
Peças	Tamanho		
	mm	Pol.	
3	0.05	0.002	5549 126-07
3	0.1	0.004	5549 126-01
3	0.15	0.006	5549 126-04
3	0.2	0.008	5549 126-02
3	0.3	0.012	5549 126-03
3	2	0.079	5549 126-05
3	2.5	0.098	5549 126-06

16			Calços individuais
Peças	Tamanho		
	mm	Pol.	
3	0.05	0.002	5549 127-22
3	0.1	0.004	5549 127-01
3	0.15	0.006	5549 127-21
3	0.2	0.008	5549 127-02
3	0.3	0.012	5549 127-03
3	0.5	0.020	5549 127-04
3	0.75	0.029	5549 127-23
3	1.5	0.059	5549 127-24
3	2	0.079	5549 127-07

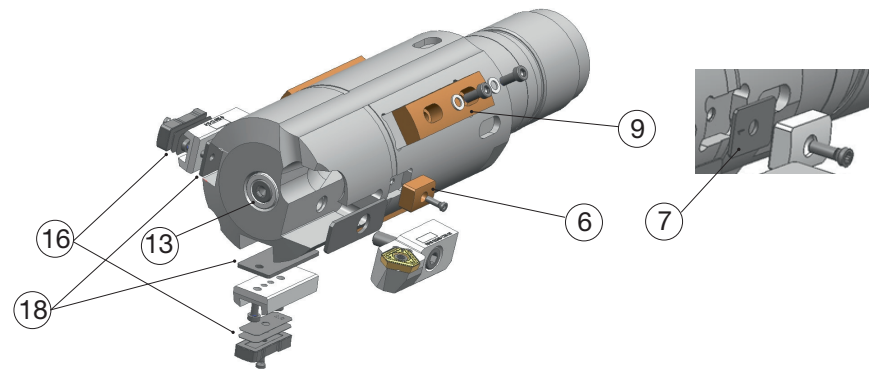
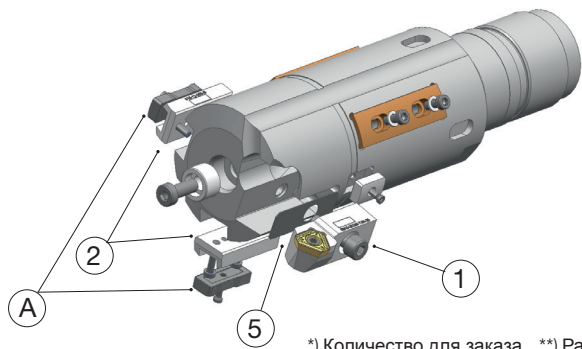
18			Calços individuais
Peças	Tamanho		
	mm	Pol.	
1	0.05	0.002	5549 126-104
3	0.1	0.004	5549 126-97
3	0.15	0.006	5549 126-98
1	0.5	0.020	5549 126-101
1	1.5	0.059	5549 126-102
1	2	0.079	5549 126-103

18			Calços individuais
Peças	Tamanho		
	mm	Pol.	
1	0.05	0.002	5549 128-36
3	0.1	0.004	5549 128-31
3	0.15	0.006	5549 128-32
1	0.5	0.020	5549 128-33
1	1	0.039	5549 128-34
1	2	0.079	5549 128-35

18			Calços individuais
Peças	Tamanho		
	mm	Pol.	
1	0.05	0.002	5549 126-87
3	0.1	0.004	5549 126-86
3	0.15	0.006	5549 126-85
1	0.5	0.020	5549 126-84
1	1	0.039	5549 126-83



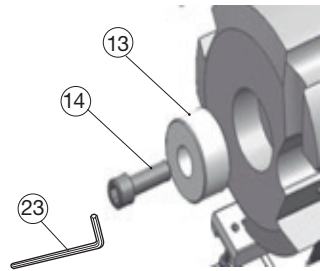
Entre em contato com seu representante Sandvik Coromant local para mais informações sobre pastilhas apropriadas.



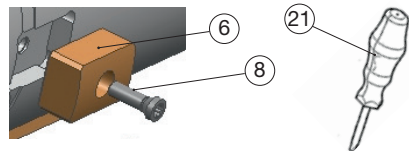
*) Количество для заказа **) Радиальная регулировка

Код заказа Расточная головка	**) мм (дюйм)	Размер пластин	1 Резцовая вставка	5 Набор регулируемых проставок для резцовой вставки	2 Картриджи для опорно-направляющих пластин	*) A	Опорно-направляющие пластины	*)
A818.20-1D02.750S13B	(0.079)	TXN-25	R818-2024S-TXN-25	5549 128-10	N/A	0	430.32-12D65.0	2
A818.20-1D03.000S14B	(0.197)	TXN-25	R818-2024S-TXN-25	5549 128-10	818-12-065-S	2	430.32-12D75.0	2
A818.20-1D03.500S15B	(0.197)	TXN-25	R818-2024S-TXN-25	5549 128-10	818-12-065-S	2	430.32-12D85.0	2
A818.20-1D03.750S16B	(0.197)	TXN-40	R818-2532S-TXN-40	5549 128-20	818-12-065-S	2	430.32-12D95.0	2
A818.20-1D04.000S17B	(0.315)	TXN-40	R818-2532S-TXN-40	5549 128-20	818-16-110-S	2	430.32-16D100.0	2
A818.20-1D04.750S19B	(0.315)	TXN-40	R818-2532S-TXN-40	5549 128-20	818-16-110-S	2	430.32-16D120.0	2
A818.20-1D05.750S21B	(0.315)	TXN-40	R818-2532S-TXN-40	5549 128-20	818-16-110-S	2	430.32-16D140.0	2
A818.20-1D06.750S23B	(0.315)	TXN-40	R818-2532S-TXN-40	5549 128-20	818-16-110-S	2	430.32-16D170.0	2
A818.20-1D07.750S25B	(0.315)	TXN-40	R818-2532S-TXN-40	5549 128-20	818-16-110-S	2	430.32-16D180.0	2
A818.20-1D08.750S27B	(0.315)	TXN-40	R818-2532S-TXN-40	5549 128-20	818-18-300-R	2	430.21-18D200.0	2
A818.20-1D09.375S28B	(0.315)	TXN-40	R818-2532S-TXN-40	5549 128-20	818-18-300-R	2	430.21-18D225.0	2
A818.20-1D10.625S30B	(0.315)	TXN-40	R818-2532S-TXN-40	5549 128-20	818-18-300-R	2	430.21-18D250.0	2
A818.20-1D11.250S32B	(0.315)	TXN-40	R818-2532S-TXN-40	5549 128-20	818-18-300-R	2	430.21-18D250.0	2
818.20-1D040.00S08B	1.50	TXN-16	R818-1016B-TXN-16	5549 128-00	818-08-030-R	2	430.32-12D65.0	2
818.20-1D043.00S08B	2.00	TXN-16	R818-1016B-TXN-16	5549 128-00	818-08-040-R	2	430.21-08D38.0	2
818.20-1D047.00S09B	2.00	TXN-16	R818-1016B-TXN-16	5549 128-00	818-10-040-R	2	430.21-10D47.0	2
818.20-1D051.00S10B	2.00	TXN-16	R818-1016B-TXN-16	5549 128-00	818-10-040-R	2	430.21-10D47.0	2
818.20-1D055.00S10B	2.00	TXN-16	R818-1016B-TXN-16	5549 128-00	818-10-040-R	2	430.21-10D52.0	2
818.20-1D059.00S11B	2.00	TXN-16	R818-1016B-TXN-16	5549 128-00	818-10-040-R	2	430.21-10D58.0	2
818.20-1D063.00S12B	2.00	TXN-16	R818-1016B-TXN-16	5549 128-00	818-10-040-R	2	430.21-10D58.0	2
818.20-1D065.00S12B	2.00	TXN-16	R818-2024S-TXN-25	5549 128-10	N/A	0	430.32-12D65.0	2
818.20-1D073.00S13B	2.00	TXN-25	R818-2024S-TXN-25	5549 128-10	N/A	0	430.32-12D70.0	2
818.20-1D078.00S14B	5.00	TXN-25	R818-2024S-TXN-25	5549 128-10	818-12-065-S	2	430.32-12D75.0	2
818.20-1D085.00S15B	5.00	TXN-25	R818-2024S-TXN-25	5549 128-10	818-12-065-S	2	430.32-12D85.0	2
818.20-1D110.00S18B	8.00	TXN-40	R818-2532S-TXN-40	5549 128-20	818-16-110-S	2	430.32-16D110.0	2
818.20-1D135.00S20B	8.00	TXN-40	R818-2532S-TXN-40	5549 128-20	818-16-110-S	2	430.32-16D130.0	2
818.20-1D160.00S22B	8.00	TXN-40	R818-2532S-TXN-40	5549 128-20	818-16-110-S	2	430.32-16D160.0	2
818.20-1D185.00S24B	8.00	TXN-40	R818-2532S-TXN-40	5549 128-20	818-16-110-S	2	430.32-16D180.0	2
818.20-1D210.00S26B	8.00	TXN-40	R818-2532S-TXN-40	5549 128-20	818-18-300-R	2	430.21-18D200.0	2
818.20-1D254.00S30B	8.00	TXN-40	R818-2532S-TXN-40	5549 128-20	818-18-300-R	2	430.21-18D250.0	2

13 Защитная шайба настроечного отверстия	14 Винт	23 Ключ
5549 029-01	3212 020-259	3021 010-030
5549 029-02	3212 020-309	3021 010-040
5549 029-03	3212 020-360	3021 010-050
5549 029-04	3212 020-410	3021 010-060
5549 029-05	3212 020-462	3021 010-080
5549 029-06	3212 010-513	3021 010-100
5549 029-07	3212 010-564	3021 010-140

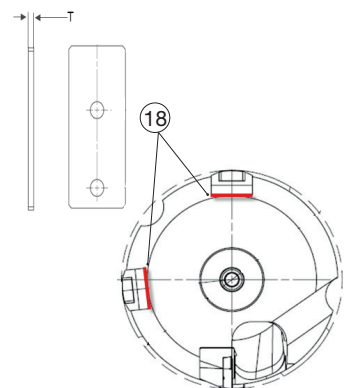


6 Защитная пластина	8 Винт	21 Отвертка
801-142067-S	5513 020-01	5680 046-02
801-202582-S	5513 020-26	5680 046-06

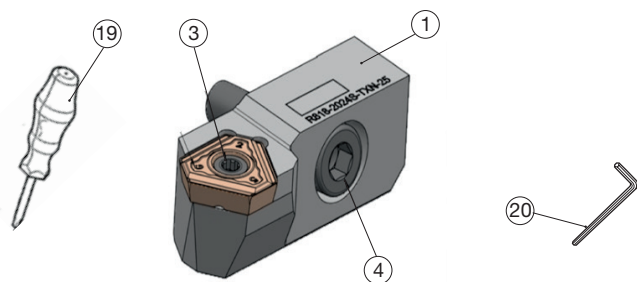
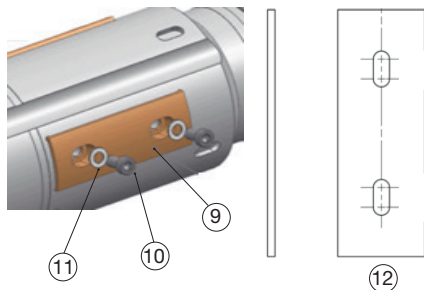


A Опорно-направляющие пластины (альтернативные)	*)	13 Защитная шайба настроечного отверстия	16 Набор регулировочных проставок для опорно- направляющих пластин	*)	6 Защитная пластина	*)	7 Набор регулировочных проставок для защитной пластины	*)	9 Направляющая пластина	*)
800-14D065 PM1	2	5549 029-01	5549 127-20	2	801-142067-S	2	5549 126-90	2	5571 001-06	3
800-16D075 PM1	2	5549 029-03	5549 127-20	2	801-142067-S	1	5549 126-90	1	5571 001-07	3
800-18D085 PM1	2	5549 029-04	5549 127-20	2	801-142067-S	1	5549 126-90	1	5571 001-07	3
800-18D085 PM1	2	5549 029-04	5549 127-20	2	801-142067-S	1	5549 126-90	1	5571 001-08	3
800-20D100 PM1	2	5549 029-04	5549 126-10	2	801-202582-S	1	5549 126-91	1	5571 001-09	3
800-24D120 PM1	2	5549 029-05	5549 126-10	2	801-202582-S	1	5549 126-91	1	5571 001-09	3
N/A	2	5549 029-05	5549 126-10	2	801-202582-S	1	5549 126-91	1	5571 001-10	3
N/A	-	5549 029-06	5549 126-10	2	801-202582-S	1	5549 126-91	1	5571 001-11	3
N/A	-	5549 029-06	5549 126-10	2	801-202582-S	1	5549 126-91	1	5571 001-11	3
N/A	-	5549 029-07	N/A	-	801-202582-S	1	5549 126-91	1	5571 001-12	3
N/A	-	5549 029-07	N/A	-	801-202582-S	1	5549 126-91	1	5571 001-12	3
N/A	-	5549 029-07	N/A	-	801-202582-S	1	5549 126-91	1	5571 001-13	3
N/A	-	N/A	N/A	-	N/A	-	N/A	-	5571 001-05	3
N/A	-	N/A	N/A	-	N/A	-	N/A	-	5571 001-05	3
N/A	-	N/A	N/A	-	N/A	-	5549 126-90	1	5571 001-05	3
N/A	-	N/A	N/A	-	N/A	-	5549 126-90	1	5571 001-06	3
N/A	-	N/A	N/A	-	801-142067-S	1	5549 126-90	1	5571 001-06	3
N/A	-	N/A	N/A	-	801-142067-S	1	5549 126-90	1	5571 001-06	3
N/A	-	N/A	N/A	-	801-142067-S	1	5549 126-90	1	5571 001-06	3
800-14D065 PM1	2	5549 029-01	5549 127-20	2	801-142067-S	2	5549 126-90	2	5571 001-06	3
800-14D065 PM1	2	5549 029-02	5549 127-20	2	801-142067-S	2	5549 126-90	2	5571 001-07	3
800-16D075 PM1	2	5549 029-03	5549 127-20	2	801-142067-S	1	5549 126-90	1	5571 001-07	3
800-18D085 PM1	2	5549 029-04	5549 127-20	2	801-142067-S	1	5549 126-90	1	5571 001-07	3
800-22D110 PM1	2	5549 029-04	5549 127-10	2	801-202582-S	1	5549 126-91	1	5571 001-09	3
800-26D130 PM1	2	5549 029-05	5549 126-10	2	801-202582-S	1	5549 126-91	1	5571 001-10	3
N/A	-	5549 029-06	5549 126-10	2	801-202582-S	1	5549 126-91	1	5571 001-11	3
N/A	-	5549 029-06	5549 126-10	2	801-202582-S	1	5549 126-91	1	5571 001-11	3
N/A	-	5549 029-07	N/A	-	801-202582-S	1	5549 126-91	1	5571 001-12	3
N/A	-	5549 029-07	N/A	-	801-202582-S	1	5549 126-91	1	5571 001-13	3

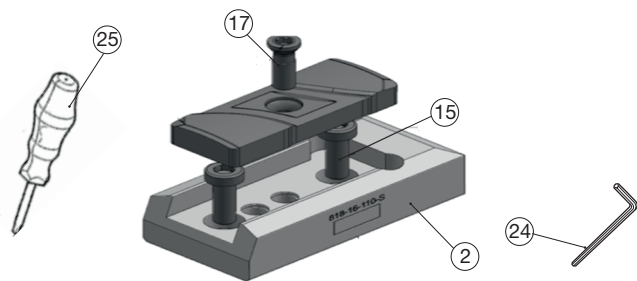
	2 Картриджи для опорно- направляющих пластин	18 Проставка для картриджа	T
818-12-065-S & 818-12-100-S		5549 127-30	2
		5549 127-31	3
		5549 127-32	5
818-16-110-S & 818-16-150-S		5549 126-40	2
		5549 126-41	3
		5549 126-42	5
		5549 126-43	8
818-08-030-R 818-08-040-R 818-10-030-R 818-10-040-R		5549 126-92	Набор проставок
		5549 128-30	Набор проставок
818-18-300-R		5549 126-79	Набор проставок
		5549 126-80	2
		5549 126-81	3
		5549 126-82	4
		5549 126-88	8



9	10	11	12
Направляющая пластина	Винт	Шайба	Проставка для направляющей пластины
5571 001-01	3212 010-105	3411 010-022	5549 126-51
5571 001-02	3212 010-155	3411 010-027	5549 126-52
5571 001-03	3212 010-155	3411 010-027	5549 126-53
5571 001-04	3212 010-205	3411 010-032	5549 126-54
5571 001-05	3212 010-205	3411 010-032	5549 126-55
5571 001-06	3212 010-257	3411 010-043	5549 126-56
5571 001-07	3212 010-308	3411 010-053	5549 126-57
5571 001-08	3212 010-399	3411 010-064	5549 126-58
5571 001-09	3212 010-399	3411 010-064	5549 126-59
5571 001-10	3212 010-409	3411 010-084	5549 126-60
5571 001-11	3212 010-460	3411 010-105	5549 126-61
5571 001-12	3212 010-460	3411 010-105	5549 126-62
5571 001-13	3212 020-511	3411 010-130	5549 126-63
5571 001-14	3212 020-511	3411 010-130	5549 126-64



1	3	19	4	20
Резцовая вставка	Винт пластины	Отвертка	Винт	Ключ
R818-1016B-TXN-16	5513 020-02	5680 046-02	3212 010-310	3021 010-040
R818-2024S-TXN-25	5513 020-55	5680 046-06	3212 010-412	3021 010-060
R818-2532S-TXN-40	5513 020-14	5680 046-07	3212 010-464	3021 010-080



2	15	24	17	25
Карtridge для опорно-направляющих пластин	Винт	Ключ	Винт	Отвертка
818-08-030-R	148C-831	3021 010-030	5513 030-02	5680 051-02
818-08-040-R	148C-831	3021 010-030	5513 030-02	5680 051-02
818-10-040-R	148C-831	3021 010-030	5513 011-01	5680 051-02
818-12-065-S	3212 020-258	3021 010-030	5513 020-10	5680 046-02
818-12-100-S	3212 020-258	3021 010-030	5513 020-10	5680 046-02
818-16-110-S	3212 020-309	3021 010-040	5513 020-26	5680 046-06
818-16-150-S	3212 020-309	3021 010-040	5513 020-26	5680 046-06
818-18-300-R	3212 010-363	3021 010-050	430.21-820	3021 010-030

5			Регулировочные проставки
Набор регулировочных проставок для резцовой вставки 5549 128-00			
Кол-во	Размер		
	мм	дюйм	
1	0.05	0.002	5549 128-19
2	0.1	0.004	5549 128-01
2	0.15	0.006	5549 128-02
1	0.5	0.020	5549 128-03
1	1	0.039	5549 128-04
1	2	0.079	5549 128-05

5			Регулировочные проставки
Набор регулировочных проставок для резцовой вставки 5549 128-10			
Кол-во	Размер		
	мм	дюйм	
1	0.05	0.002	5549 128-18
2	0.1	0.004	5549 128-11
2	0.15	0.006	5549 128-12
1	0.5	0.02	5549 128-13
1	1	0.039	5549 128-14
1	2	0.079	5549 128-15
1	3	0.118	5549 128-16
1	5	0.197	5549 128-17

5			Регулировочные проставки
Набор регулировочных проставок для резцовой вставки 5549 128-20			
Кол-во	Размер		
	мм	дюйм	
1	0.05	0.002	5549 128-29
2	0.1	0.004	5549 128-21
2	0.15	0.006	5549 128-22
1	0.5	0.02	5549 128-23
1	1	0.039	5549 128-24
1	2	0.079	5549 128-25
1	3	0.118	5549 128-26
1	5	0.197	5549 128-27
1	8	0.315	5549 128-28

7			Регулировочные проставки
Набор регулировочных проставок для защитной пластины 5549 126-90			
Кол-во	Размер		
	мм	дюйм	
1	0.2	0.008	
1	0.5	0.020	
1	1	0.039	

7			Регулировочные проставки
Набор регулировочных проставок для защитной пластины 5549 126-91			
Кол-во	Размер		
	мм	дюйм	
1	0.2	0.008	
1	0.5	0.020	
1	1	0.039	

16			Регулировочные проставки
Набор регулировочных проставок для опорно-направляющих пластин 5549 126-10			
Кол-во	Размер		
	мм	дюйм	
3	0.05	0.002	5549 126-07
3	0.1	0.004	5549 126-01
3	0.15	0.006	5549 126-04
3	0.2	0.008	5549 126-02
3	0.3	0.012	5549 126-03
3	2	0.079	5549 126-05
3	2.5	0.098	5549 126-06

16			Регулировочные проставки
Набор регулировочных проставок для опорно-направляющих пластин 5549 127-20			
Кол-во	Размер		
	мм	дюйм	
3	0.05	0.002	5549 127-22
3	0.1	0.004	5549 127-01
3	0.15	0.006	5549 127-21
3	0.2	0.008	5549 127-02
3	0.3	0.012	5549 127-03
3	0.5	0.020	5549 127-04
3	0.75	0.029	5549 127-23
3	1.5	0.059	5549 127-24
3	2	0.079	5549 127-07

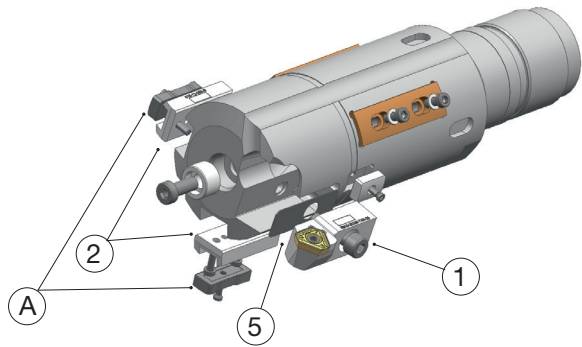
18			Регулировочные проставки
Набор проставок 5549 126-92 (Карtridge для опорно-направляющих пластин 818-08-030/040-R)			
Кол-во	Size		
	мм	дюйм	
1	0.05	0.002	5549 126-104
3	0.1	0.004	5549 126-97
3	0.15	0.006	5549 126-98
1	0.5	0.020	5549 126-101
1	1.5	0.059	5549 126-102
1	2	0.079	5549 126-103

18			Регулировочные проставки
Набор проставок 5549 128-30 (Карtridge для опорно-направляющих пластин 818-10-040-R)			
Кол-во	Size		
	мм	дюйм	
1	0.05	0.002	5549 128-36
3	0.1	0.004	5549 128-31
3	0.15	0.006	5549 128-32
1	0.5	0.020	5549 128-33
1	1	0.039	5549 128-34
1	2	0.079	5549 128-35

18			Регулировочные проставки
Набор проставок 5549 126-79 (Карtridge для опорно-направляющих пластин 818-18-300-R)			
Кол-во	Size		
	мм	дюйм	
1	0.05	0.002	5549 126-87
3	0.1	0.004	5549 126-86
3	0.15	0.006	5549 126-85
1	0.5	0.020	5549 126-84
1	1	0.039	5549 126-83

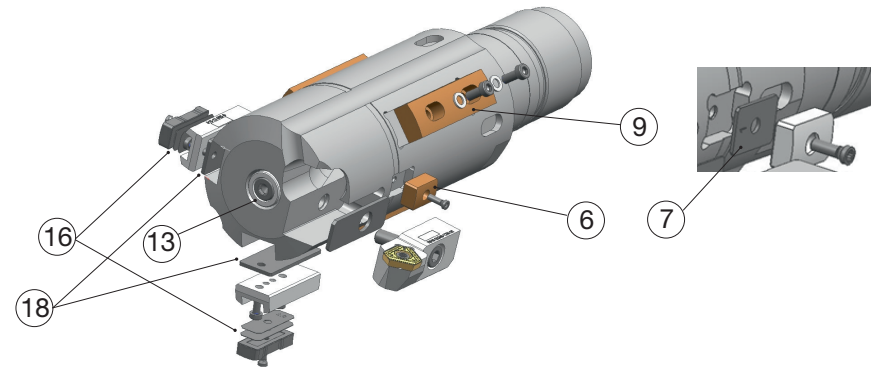


Для получения подробной информации по выбору пластин, пожалуйста, обратитесь к региональному представителю Sandvik Coromant.



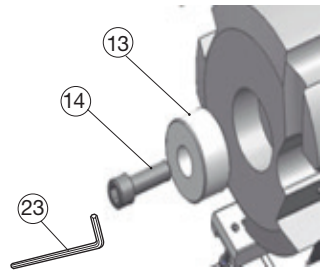
*) Cantidad que se debe pedir **) Ajuste radial

Código de pedido Cabeza para taladrado	**) mm (pul.)	Tamaño de la plaquita	1 Cartucho periférico	5 Juego de placas de apoyo del cartucho	2 Zapatillas de patín	*)	A Patín	*)
A818.20-1D02.750S13B	(0.079)	TXN-25	R818-2024S-TXN-25	5549 128-10	N/A	0	430.32-12D65.0	2
A818.20-1D03.000S14B	(0.197)	TXN-25	R818-2024S-TXN-25	5549 128-10	818-12-065-S	2	430.32-12D75.0	2
A818.20-1D03.500S15B	(0.197)	TXN-25	R818-2024S-TXN-25	5549 128-10	818-12-065-S	2	430.32-12D85.0	2
A818.20-1D03.750S16B	(0.197)	TXN-40	R818-2532S-TXN-40	5549 128-20	818-12-065-S	2	430.32-12D95.0	2
A818.20-1D04.000S17B	(0.315)	TXN-40	R818-2532S-TXN-40	5549 128-20	818-16-110-S	2	430.32-16D100.0	2
A818.20-1D04.750S19B	(0.315)	TXN-40	R818-2532S-TXN-40	5549 128-20	818-16-110-S	2	430.32-16D120.0	2
A818.20-1D05.750S21B	(0.315)	TXN-40	R818-2532S-TXN-40	5549 128-20	818-16-110-S	2	430.32-16D140.0	2
A818.20-1D06.750S23B	(0.315)	TXN-40	R818-2532S-TXN-40	5549 128-20	818-16-110-S	2	430.32-16D170.0	2
A818.20-1D07.750S25B	(0.315)	TXN-40	R818-2532S-TXN-40	5549 128-20	818-16-110-S	2	430.32-16D180.0	2
A818.20-1D08.750S27B	(0.315)	TXN-40	R818-2532S-TXN-40	5549 128-20	818-18-300-R	2	430.21-18D200.0	2
A818.20-1D09.375S28B	(0.315)	TXN-40	R818-2532S-TXN-40	5549 128-20	818-18-300-R	2	430.21-18D225.0	2
A818.20-1D10.625S30B	(0.315)	TXN-40	R818-2532S-TXN-40	5549 128-20	818-18-300-R	2	430.21-18D250.0	2
A818.20-1D11.250S32B	(0.315)	TXN-40	R818-2532S-TXN-40	5549 128-20	818-18-300-R	2	430.21-18D250.0	2
818.20-1D04.00S08B	1.50	TXN-16	R818-1016B-TXN-16	5549 128-00	818-08-030-R	2	430.21-08D38.0	2
818.20-1D04.300S08B	2.00	TXN-16	R818-1016B-TXN-16	5549 128-00	818-08-040-R	2	430.21-08D38.0	2
818.20-1D04.700S09B	2.00	TXN-16	R818-1016B-TXN-16	5549 128-00	818-10-040-R	2	430.21-10D47.0	2
818.20-1D05.100S10B	2.00	TXN-16	R818-1016B-TXN-16	5549 128-00	818-10-040-R	2	430.21-10D47.0	2
818.20-1D05.500S10B	2.00	TXN-16	R818-1016B-TXN-16	5549 128-00	818-10-040-R	2	430.21-10D52.0	2
818.20-1D05.900S11B	2.00	TXN-16	R818-1016B-TXN-16	5549 128-00	818-10-040-R	2	430.21-10D58.0	2
818.20-1D06.300S12B	2.00	TXN-16	R818-1016B-TXN-16	5549 128-00	818-10-040-R	2	430.21-10D58.0	2
818.20-1D06.500S12B	2.00	TXN-25	R818-2024S-TXN-25	5549 128-10	N/A	0	430.32-12D65.0	2
818.20-1D07.300S13B	2.00	TXN-25	R818-2024S-TXN-25	5549 128-10	N/A	0	430.32-12D70.0	2
818.20-1D07.800S14B	5.00	TXN-25	R818-2024S-TXN-25	5549 128-10	818-12-065-S	2	430.32-12D75.0	2
818.20-1D08.500S15B	5.00	TXN-25	R818-2024S-TXN-25	5549 128-10	818-12-065-S	2	430.32-12D85.0	2
818.20-1D10.00S18B	8.00	TXN-40	R818-2532S-TXN-40	5549 128-20	818-16-110-S	2	430.32-16D110.0	2
818.20-1D13.500S20B	8.00	TXN-40	R818-2532S-TXN-40	5549 128-20	818-16-110-S	2	430.32-16D130.0	2
818.20-1D16.00S22B	8.00	TXN-40	R818-2532S-TXN-40	5549 128-20	818-16-110-S	2	430.32-16D160.0	2
818.20-1D18.500S24B	8.00	TXN-40	R818-2532S-TXN-40	5549 128-20	818-16-110-S	2	430.32-16D180.0	2
818.20-1D21.00S26B	8.00	TXN-40	R818-2532S-TXN-40	5549 128-20	818-18-300-R	2	430.21-18D200.0	2
818.20-1D25.400S30B	8.00	TXN-40	R818-2532S-TXN-40	5549 128-20	818-18-300-R	2	430.21-18D250.0	2

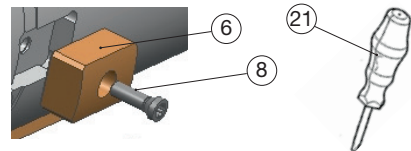


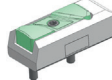



A Patines (opcional)	*)	13 Placa de protección del asiento	16 Juego de placas de apoyo del patín	*)	6 Patín	*)	7 Juego de placas de apoyo del patín de seguridad	*)	9 Proforma de patín de fibra	*)
800-14D065 PM1	2	5549 029-01	5549 127-20	2	801-142067-S	2	5549 126-90	1	5571 001-06	3
800-16D075 PM1	2	5549 029-03	5549 127-20	2	801-142067-S	1	5549 126-90	1	5571 001-07	3
800-18D085 PM1	2	5549 029-04	5549 127-20	2	801-142067-S	1	5549 126-90	1	5571 001-07	3
800-18D085 PM1	2	5549 029-04	5549 127-20	2	801-142067-S	1	5549 126-90	1	5571 001-08	3
800-20D100 PM1	2	5549 029-04	5549 126-10	2	801-202582-S	1	5549 126-91	1	5571 001-09	3
800-24D120 PM1	2	5549 029-05	5549 126-10	2	801-202582-S	1	5549 126-91	1	5571 001-09	3
N/A	2	5549 029-05	5549 126-10	2	801-202582-S	1	5549 126-91	1	5571 001-10	3
N/A	-	5549 029-06	5549 126-10	2	801-202582-S	1	5549 126-91	1	5571 001-11	3
N/A	-	5549 029-06	5549 126-10	2	801-202582-S	1	5549 126-91	1	5571 001-11	3
N/A	-	5549 029-07	N/A	-	801-202582-S	1	5549 126-91	1	5571 001-12	3
N/A	-	5549 029-07	N/A	-	801-202582-S	1	5549 126-91	1	5571 001-12	3
N/A	-	5549 029-07	N/A	-	801-202582-S	1	5549 126-91	1	5571 001-13	3
N/A	-	5549 029-07	N/A	-	801-202582-S	1	5549 126-91	1	5571 001-13	3
N/A	-	N/A	N/A	-	N/A	-	N/A	-	5571 001-05	3
N/A	-	N/A	N/A	-	N/A	-	N/A	-	5571 001-05	3
N/A	-	N/A	N/A	-	N/A	-	5549 126-90	1	5571 001-05	3
N/A	-	N/A	N/A	-	N/A	-	5549 126-90	1	5571 001-06	3
N/A	-	N/A	N/A	-	801-142067-S	1	5549 126-90	1	5571 001-06	3
N/A	-	N/A	N/A	-	801-142067-S	1	5549 126-90	1	5571 001-06	3
N/A	-	N/A	N/A	-	801-142067-S	1	5549 126-90	1	5571 001-06	3
800-14D065 PM1	2	5549 029-01	5549 127-20	2	801-142067-S	2	5549 126-90	2	5571 001-06	3
800-14D065 PM1	2	5549 029-02	5549 127-20	2	801-142067-S	2	5549 126-90	2	5571 001-07	3
800-16D075 PM1	2	5549 029-03	5549 127-20	2	801-142067-S	1	5549 126-90	1	5571 001-07	3
800-18D085 PM1	2	5549 029-04	5549 127-20	2	801-142067-S	1	5549 126-90	1	5571 001-07	3
800-18D085 PM1	2	5549 029-04	5549 127-20	2	801-202582-S	1	5549 126-91	1	5571 001-09	3
800-22D110 PM1	2	5549 029-04	5549 127-10	2	801-202582-S	1	5549 126-91	1	5571 001-09	3
800-26D130 PM1	2	5549 029-05	5549 126-10	2	801-202582-S	1	5549 126-91	1	5571 001-10	3
N/A	-	5549 029-06	5549 126-10	2	801-202582-S	1	5549 126-91	1	5571 001-11	3
N/A	-	5549 029-06	5549 126-10	2	801-202582-S	1	5549 126-91	1	5571 001-11	3
N/A	-	5549 029-07	N/A	-	801-202582-S	1	5549 126-91	1	5571 001-12	3
N/A	-	5549 029-07	N/A	-	801-202582-S	1	5549 126-91	1	5571 001-13	3

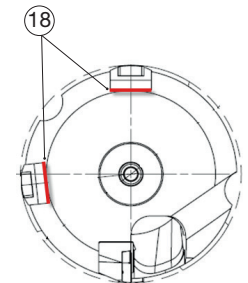
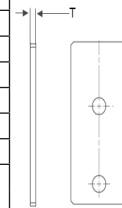
13 Placa de protección del asiento	14 Tornillo	23 Llave
5549 029-01	3212 020-259	3021 010-030
5549 029-02	3212 020-309	3021 010-040
5549 029-03	3212 020-360	3021 010-050
5549 029-04	3212 020-410	3021 010-060
5549 029-05	3212 020-462	3021 010-080
5549 029-06	3212 010-513	3021 010-100
5549 029-07	3212 010-564	3021 010-140



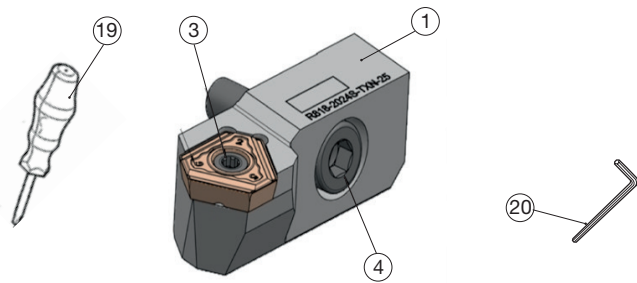
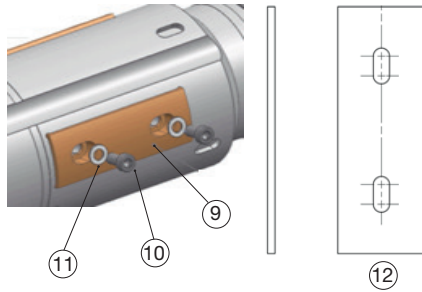
6 Patín	8 Tornillo	21 Destornillador
801-142067-S	5513 020-01	5680 046-02
801-202582-S	5513 020-26	5680 046-06



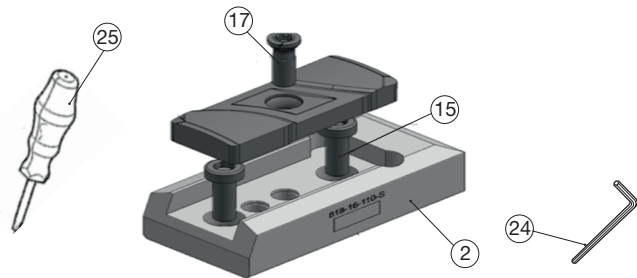
	2 Zapatillas de patín	18 Placa de apoyo	T
		5549 127-30	2
		5549 127-31	3
		5549 127-32	5
		5549 126-40	2
		5549 126-41	3
		5549 126-42	5
		5549 126-43	8
		5549 126-92	Juego de placa de apoyo
		818-10-030-R 818-10-040-R	5549 128-30
		5549 126-79	Juego de placa de apoyo
		5549 126-80	2
		5549 126-81	3
		5549 126-82	4
		5549 126-88	8



9	10	11	12
Proforma de patín de fibra	Tornillo	Arandela	Placa de apoyo
5571 001-01	3212 010-105	3411 010-022	5549 126-51
5571 001-02	3212 010-155	3411 010-027	5549 126-52
5571 001-03	3212 010-155	3411 010-027	5549 126-53
5571 001-04	3212 010-205	3411 010-032	5549 126-54
5571 001-05	3212 010-205	3411 010-032	5549 126-55
5571 001-06	3212 010-257	3411 010-043	5549 126-56
5571 001-07	3212 010-308	3411 010-053	5549 126-57
5571 001-08	3212 010-399	3411 010-064	5549 126-58
5571 001-09	3212 010-399	3411 010-064	5549 126-59
5571 001-10	3212 010-409	3411 010-084	5549 126-60
5571 001-11	3212 010-460	3411 010-105	5549 126-61
5571 001-12	3212 010-460	3411 010-105	5549 126-62
5571 001-13	3212 020-511	3411 010-130	5549 126-63
5571 001-14	3212 020-511	3411 010-130	5549 126-64



1	3	19	4	20
Cartucho periférico	Tornillo de la plaquita	Destornillador	Tornillo	Llave
R818-1016B-TXN-16	5513 020-02	5680 046-02	3212 010-310	3021 010-040
R818-2024S-TXN-25	5513 020-55	5680 046-06	3212 010-412	3021 010-060
R818-2532S-TXN-40	5513 020-14	5680 046-07	3212 010-464	3021 010-080



2	15	24	17	25
Zapatillas de patín	Tornillo	Llave	Tornillo	Destornillador
818-08-030-R	148C-831	3021 010-030	5513 030-02	5680 051-02
818-08-040-R	148C-831	3021 010-030	5513 030-02	5680 051-02
818-10-040-R	148C-831	3021 010-030	5513 011-01	5680 051-02
818-12-065-S	3212 020-258	3021 010-030	5513 020-10	5680 046-02
818-12-100-S	3212 020-258	3021 010-030	5513 020-10	5680 046-02
818-16-110-S	3212 020-309	3021 010-040	5513 020-26	5680 046-06
818-16-150-S	3212 020-309	3021 010-040	5513 020-26	5680 046-06
818-18-300-R	3212 010-363	3021 010-050	430.21-820	3021 010-030

5			Placas de apoyo individuales
Juego de placas de apoyo del cartucho 5549 128-00			
Piezas	mm	Tamaño Pul.	
1	0.05	0.002	5549 128-19
2	0.1	0.004	5549 128-01
2	0.15	0.006	5549 128-02
1	0.5	0.020	5549 128-03
1	1	0.039	5549 128-04
1	2	0.079	5549 128-05

5			Placas de apoyo individuales
Juego de placas de apoyo del cartucho 5549 128-10			
Piezas	mm	Tamaño Pul.	
1	0.05	0.002	5549 128-18
2	0.1	0.004	5549 128-11
2	0.15	0.006	5549 128-12
1	0.5	0.02	5549 128-13
1	1	0.039	5549 128-14
1	2	0.079	5549 128-15
1	3	0.118	5549 128-16
1	5	0.197	5549 128-17

5			Placas de apoyo individuales
Juego de placas de apoyo del cartucho 5549 128-20			
Piezas	mm	Tamaño Pul.	
1	0.05	0.002	5549 128-29
2	0.1	0.004	5549 128-21
2	0.15	0.006	5549 128-22
1	0.5	0.02	5549 128-23
1	1	0.039	5549 128-24
1	2	0.079	5549 128-25
1	3	0.118	5549 128-26
1	5	0.197	5549 128-27
1	8	0.315	5549 128-28

7			Placas de apoyo individuales
Juego de placas de apoyo del patín de seguridad 5549 126-90			
Piezas	mm	Tamaño Pul.	
1	0.2	0.008	
1	0.5	0.020	
1	1	0.039	

7			Placas de apoyo individuales
Juego de placas de apoyo del patín de seguridad 5549 126-91			
Piezas	mm	Tamaño Pul.	
1	0.2	0.008	
1	0.5	0.020	
1	1	0.039	

16			Placas de apoyo individuales
Juego de placas de apoyo del patín 5549 126-10			
Piezas	mm	Tamaño Pul.	
3	0.05	0.002	5549 126-07
3	0.1	0.004	5549 126-01
3	0.15	0.006	5549 126-04
3	0.2	0.008	5549 126-02
3	0.3	0.012	5549 126-03
3	2	0.079	5549 126-05
3	2.5	0.098	5549 126-06

16			Placas de apoyo individuales
Juego de placas de apoyo del patín 5549 127-20			
Piezas	mm	Tamaño Pul.	
3	0.05	0.002	5549 127-22
3	0.1	0.004	5549 127-01
3	0.15	0.006	5549 127-21
3	0.2	0.008	5549 127-02
3	0.3	0.012	5549 127-03
3	0.5	0.020	5549 127-04
3	0.75	0.029	5549 127-23
3	1.5	0.059	5549 127-24
3	2	0.079	5549 127-07

18			Placas de apoyo individuales
Juego de placa de apoyo 5549 126-92 (Zapatillas de patín 818-08-030/040-R)			
Piezas	mm	Tamaño Pul.	
1	0.05	0.002	5549 126-104
3	0.1	0.004	5549 126-97
3	0.15	0.006	5549 126-98
1	0.5	0.020	5549 126-101
1	1.5	0.059	5549 126-102
1	2	0.079	5549 126-103

18			Placas de apoyo individuales
Juego de placa de apoyo 5549 128-30 (Zapatillas de patín 818-10-040-R)			
Piezas	mm	Tamaño Pul.	
1	0.05	0.002	5549 128-36
3	0.1	0.004	5549 128-31
3	0.15	0.006	5549 128-32
1	0.5	0.020	5549 128-33
1	1	0.039	5549 128-34
1	2	0.079	5549 128-35

18			Placas de apoyo individuales
Juego de placa de apoyo 5549 126-79 (Zapatillas de patín 818-18-300-R)			
Piezas	mm	Tamaño Pul.	
1	0.05	0.002	5549 126-87
3	0.1	0.004	5549 126-86
3	0.15	0.006	5549 126-85
1	0.5	0.020	5549 126-84
1	1	0.039	5549 126-83



Para obtener más información sobre las plaquitas apropiadas, póngase en contacto con su representante de Sandvik Coromant local.



www.sandvik.coromant.com/corodrill818

Head office:
AB Sandvik Coromant
SE-811 81 Sandviken, Sweden
www.sandvik.coromant.com
E-mail: info.coromant@sandvik.com

92006

© AB Sandvik Coromant Rev 1 2014.01
Rev 2 2014.08, Rev 3 2015.03

