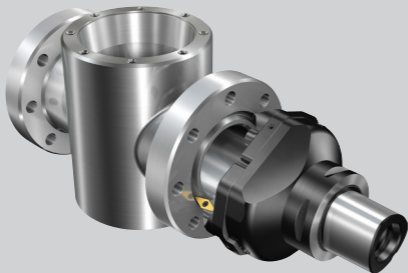


SANDVIK
Coromant

CoroBore® XL SpiroGrooving™

Handling instruction for pre-setting equipment

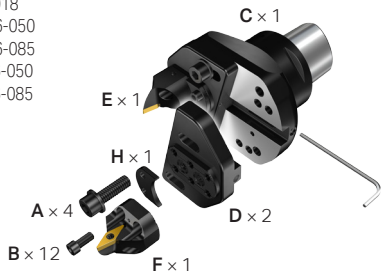


Exploded assembly (large tool)

KIT code: **820-xxxVB16-Cx**

Alt 1.
Go through step 3-5

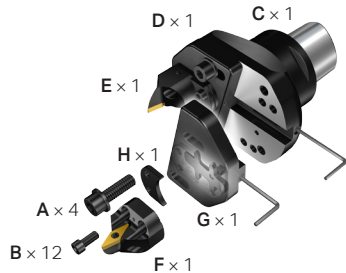
- A** = M10
- B** = M6
- C** = C8-R822XLS17-Ax 070
- C** = C6-R822XLS17-Ax 058
- D** = S17-820XL-40A-018
- E** = SL-SVXBR-40A-16-050
SL-SVXBR-40A-16-085
- F** = SL-SVXBL-40A-16-050
SL-SVXBL-40A-16-085
- H** = 5549 051-01



KIT code: **820-xxxVB16X-Cx**

Alt 2.
Go through step 1-5

- A** = M10
- B** = M6
- C** = C8-R822XLS17 Ax 070
- C** = C6-R822XLS17-Ax 058
- D** = S17-820XL-40A-018
- E** = SL-SVXBR-40A-16-050
SL-SVXBR-40A-16-085
- F** = SL-SVXBL-40A-16-050
SL-SVXBL-40A-16-085
- G** = S17-820XL-40A-X18
- H** = 5549 051-01



1.

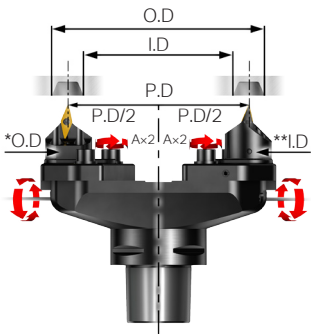
*SL-SVXBR-40A-16-050 = O.D

*SL-SVXBR-40A-16-085 = O.D

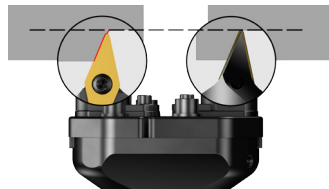
**SL-SVXBL-40A-16-050 = I.D

**SL-SVXBL-40A-16-085 = I.D

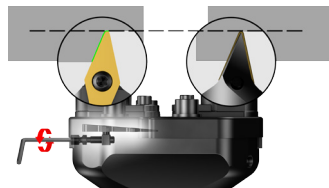
Alt. 2



2. Axial adjustability for large tool

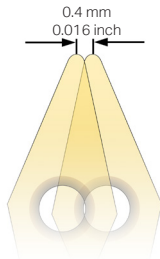
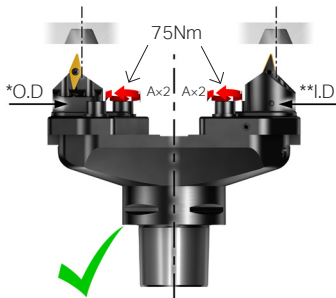


Alt. 2



5.

Alt. 1/Alt. 2



CoroBore® XL SpiroGrooving™

Small



Exploded assembly (small tool)

Kit code: **820-75VC11-C5**

Alt 3.
Go through step 3-5

A = M8

B = M4

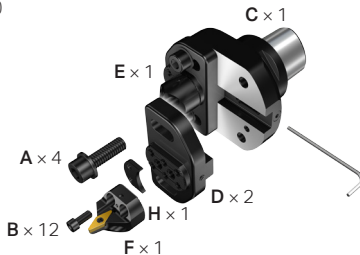
C = C5-R822XLS14- AI040

D = S14-820XL-25A-017

E = SL-SVXCR-25A-11-030

F = SL-SVXCL-25A-11-030

H = 5549 051-02



Kit code: **820-75VC11X-C5**

Alt 4.
Go through step 1-5

A = M8

B = M4

C = C5-R822XLS14- AI040

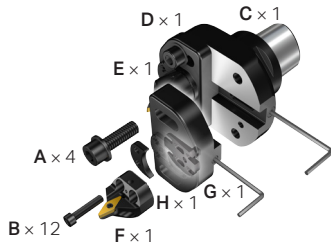
D = S14-820XL-25A-017

E = SL-SVXCR-25A-11-030

F = SL-SVXCL-25A-11-030

G = S14-R820XL-25A-X17

H = 5549 051-02

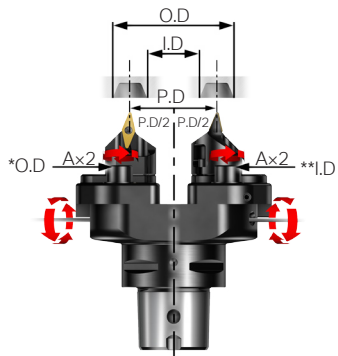


1.

*SL-SVXCR-25A-11-030 = O.D

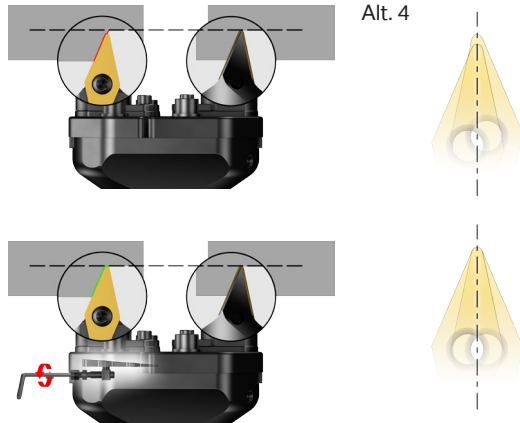
**SL-SVXCL-25A-11-030 = I.D

Alt. 4



2. Axial adjustability for small tool

Alt. 4

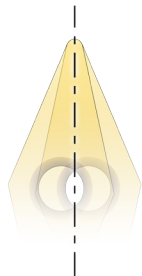
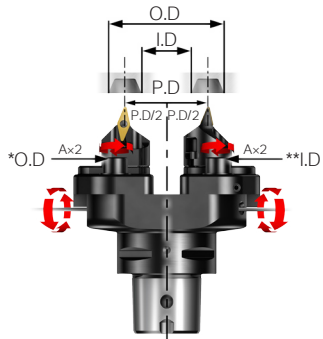


3.

*SL-SVXCR-25A-11-030 = O.D

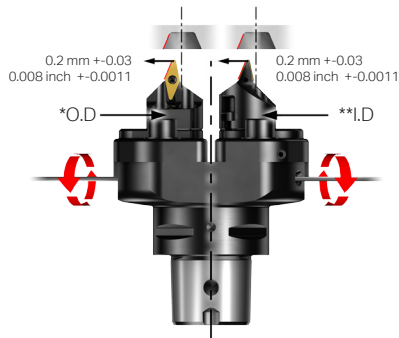
**SL-SVXCL-25A-11-030 = I.D

Alt. 3/Alt. 4



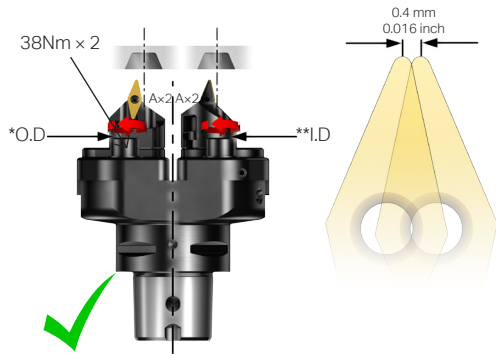
4.

Alt. 3/Alt. 4



5.

Alt. 3/Alt. 4



www.sandvik.coromant.com/spirogrooving

Head office:
AB Sandvik Coromant
SE-811 81 Sandviken, Sweden
www.sandvik.coromant.com
E-mail: info.coromant@sandvik.com

92026

© AB Sandvik Coromant 2015.03
Rev 2016.10

