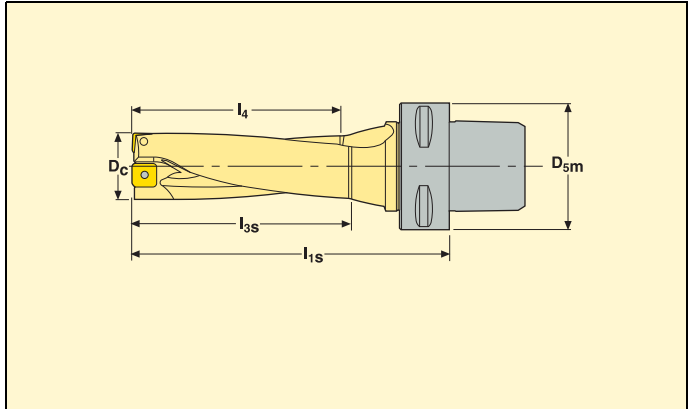


**Drilling depth 3 x D**

**Seco-Capto™ C5 shank**



• For insert information and cutting and machining data, please see Machining Navigator Holemaking

Drill dia. D <sub>c</sub> (mm)	Drill depth l <sub>4</sub> (mm)	Part No.	Dimensions in mm			Insert types		Radial adjustment	
			l <sub>1s</sub>	l <sub>3s</sub>	D <sub>5m</sub>	Centre insert	Periph insert	-	+
15,00	45	SD503-15-45-C5	82	50	50	SPGX 0502-C1	SCGX 050204..	0,25	0,35
15,50	47	SD503-15.5-47-C5	84	52	50	SPGX 0502-C1	SCGX 050204..	0,30	0,35
16,00	48	SD503-16-48-C5	86	53	50	SPGX 0502-C1	SCGX 050204..	0,15	0,45
16,50	50	SD503-16.5-50-C5	88	55	50	SPGX 0502-C1	SCGX 050204..	0,15	0,40
17,00	51	SD503-17-51-C5	89	56	50	SPGX 0502-C1	SCGX 050204..	0,10	0,50
17,50	53	SD503-17.5-53-C5	92	58	50	SPGX 0602-C1	SCGX 050204..	0,50	0,50
18,00	54	SD503-18-54-C5	93	59	50	SPGX 0602-C1	SCGX 050204..	0,35	0,25
18,50	56	SD503-18.5-56-C5	95	61	50	SPGX 0602-C1	SCGX 050204..	0,35	0,25
19,00	57	SD503-19-57-C5	96	62	50	SPGX 0602-C1	SCGX 050204..	0,15	0,45
20,00	60	SD503-20-60-C5	101	65	50	SPGX 0602-C1	SCGX 060204..	0,10	0,45
20,62	62	SD503-20.62-62-C5	103	67	50	SPGX 0602-C1	SCGX 060204..	0,10	0,50
21,00	63	SD503-21-63-C5	104	68	50	SPGX 0602-C1	SCGX 060204..	0,10	0,50
22,00	66	SD503-22-66-C5	107	71	50	SPGX 0703-C1	SCGX 060204..	0,45	0,50
22,23	67	SD503-22.23-67-C5	108	72	50	SPGX 0703-C1	SCGX 060204..	0,45	0,50
23,00	69	SD503-23-69-C5	111	74	50	SPGX 0703-C1	SCGX 070308..	0,35	0,50
24,00	72	SD503-24-72-C5	115	77	50	SPGX 0703-C1	SCGX 070308..	0,15	0,50
25,00	75	SD503-25-75-C5	119	80	50	SPGX 0903-C1	SCGX 070308..	0,15	0,50
25,40	77	SD503-25.4-77-C5	121	82	50	SPGX 0703-C1	SCGX 070308..	0,15	0,50
26,00	78	SD503-26-78-C5	122	83	50	SPGX 0903-C1	SCGX 070308..	0,50	0,15
27,00	81	SD503-27-81-C5	125	86	50	SPGX 0903-C1	SCGX 070308..	0,50	0,30
28,00	84	SD503-28-84-C5	129	89	50	SPGX 0903-C1	SCGX 070308..	0,30	0,50

**Spare Parts, Parts included in delivery**

For drill dia (mm)	Locking screw		Key
	Centre insert	Periph insert	
15,00-17,45	C02245-T07P	C02245-T07P	T07P-2
17,46-19,49	C02205-T07P	C02245-T07P	T07P-2
19,50-21,24	C02205-T07P	C02205-T07P	T07P-2
21,25-22,49	C02506-T08P	C02506-T08P	T08P-2
22,50-25,49	C02507-T08P	C03007-T08P	T08P-2
25,50-28,49	C03007-T09P	C03007-T09P	T09P-2

**Accessories\***

Dynamometric key**	Replacement Blade	Torque value
T00-07P09	T00-07P	0,9 Nm
T00-07P09	T00-07P	0,9 Nm
T00-07P09	T00-07P	0,9 Nm
T00-08P12	T00-08P	1,2 Nm
T00-08P12	T00-08P	1,2 Nm
T00-09P20	T00-09P	2,0 Nm

Please check availability in current price and stock-list

\* Not included in delivery  
\*\* Including blade