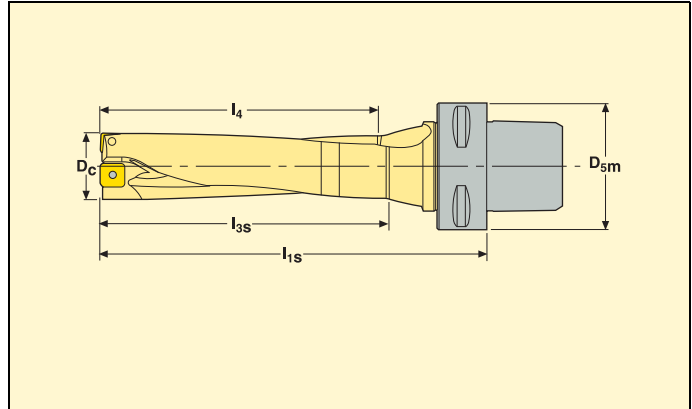


**Drilling depth 4 x D**

**Seco-Capto™ C5 shank**



• For insert information and cutting and machining data, please see Machining Navigator Holemaking

Drill dia. D <sub>c</sub> (mm)	Drill depth I <sub>4</sub> (mm)	Part No.	Dimensions in mm			Insert types	
			I <sub>1s</sub>	I <sub>3s</sub>	D <sub>5m</sub>	Centre insert	Periph insert
17,00	68	SD504-17-68-C5	106	73	50	SPGX 0502-C1	SCGX 050204..
17,50	70	SD504-17.5-70-C5	109	75	50	SPGX 0602-C1	SCGX 050204..
18,00	72	SD504-18-72-C5	111	77	50	SPGX 0602-C1	SCGX 050204..
18,50	74	SD504-18.5-74-C5	113	79	50	SPGX 0602-C1	SCGX 050204..
19,00	76	SD504-19-76-C5	115	81	50	SPGX 0602-C1	SCGX 050204..
20,00	80	SD504-20-80-C5	121	85	50	SPGX 0602-C1	SCGX 060204..
20,62	83	SD504-20.62-83-C5	124	88	50	SPGX 0602-C1	SCGX 060204..
21,00	84	SD504-21-84-C5	125	89	50	SPGX 0602-C1	SCGX 060204..
22,00	88	SD504-22-88-C5	129	93	50	SPGX 0703-C1	SCGX 060204..
22,23	89	SD504-22.23-89-C5	130	94	50	SPGX 0703-C1	SCGX 060204..
23,00	92	SD504-23-92-C5	134	97	50	SPGX 0703-C1	SCGX 070308..
24,00	96	SD504-24-96-C5	139	101	50	SPGX 0703-C1	SCGX 070308..
25,00	100	SD504-25-100-C5	144	105	50	SPGX 0703-C1	SCGX 070308..
25,40	102	SD504-25.4-102-C5	146	107	50	SPGX 0703-C1	SCGX 070308..
26,00	104	SD504-26-104-C5	148	109	50	SPGX 0903-C1	SCGX 070308..
27,00	108	SD504-27-108-C5	152	113	50	SPGX 0903-C1	SCGX 070308..
28,00	112	SD504-28-112-C5	157	117	50	SPGX 0903-C1	SCGX 070308..

**Spare Parts, Parts included in delivery**

**Accessories\***

For drill dia (mm)	Locking screw		Key	Dynamometric key**	Replacement Blade	Torque value
	Centre insert	Periph insert				
17,00-17,45	C02245-T07P	C02245-T07P	T07P-2	T00-07P09	T00-07P	0,9 Nm
17,46-19,49	C02205-T07P	C02245-T07P	T07P-2	T00-07P09	T00-07P	0,9 Nm
19,50-21,24	C02205-T07P	C02205-T07P	T07P-2	T00-07P09	T00-07P	0,9 Nm
21,25-22,49	C02506-T08P	C02506-T08P	T08P-2	T00-08P12	T00-08P	1,2 Nm
22,50-25,49	C02507-T08P	C03007-T08P	T08P-2	T00-08P12	T00-08P	1,2 Nm
25,50-28,49	C03007-T09P	C03007-T09P	T09P-2	T00-09P20	T00-09P	2,0 Nm

Please check availability in current price and stock-list

\* Not included in delivery  
\*\* Including blade