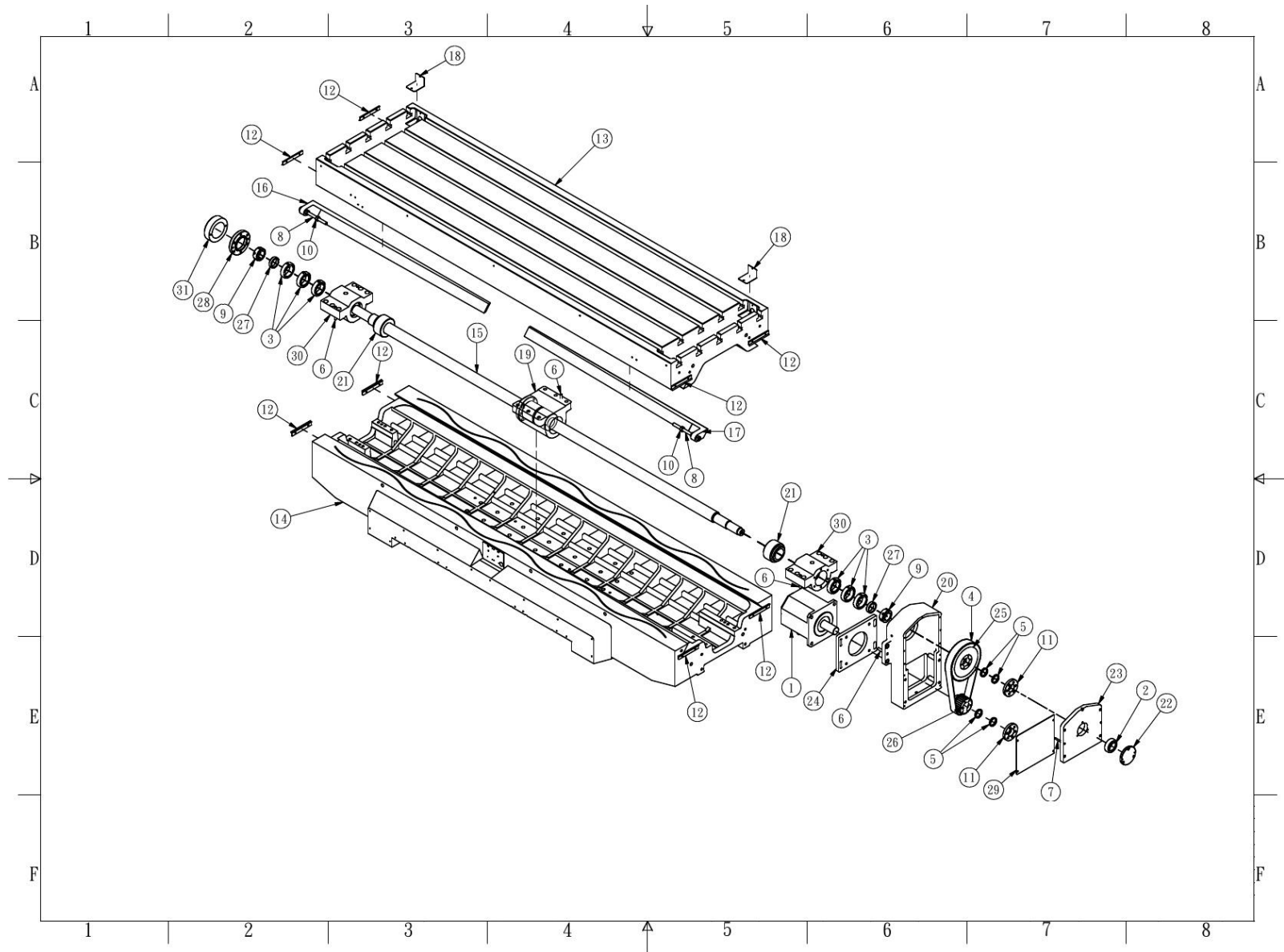
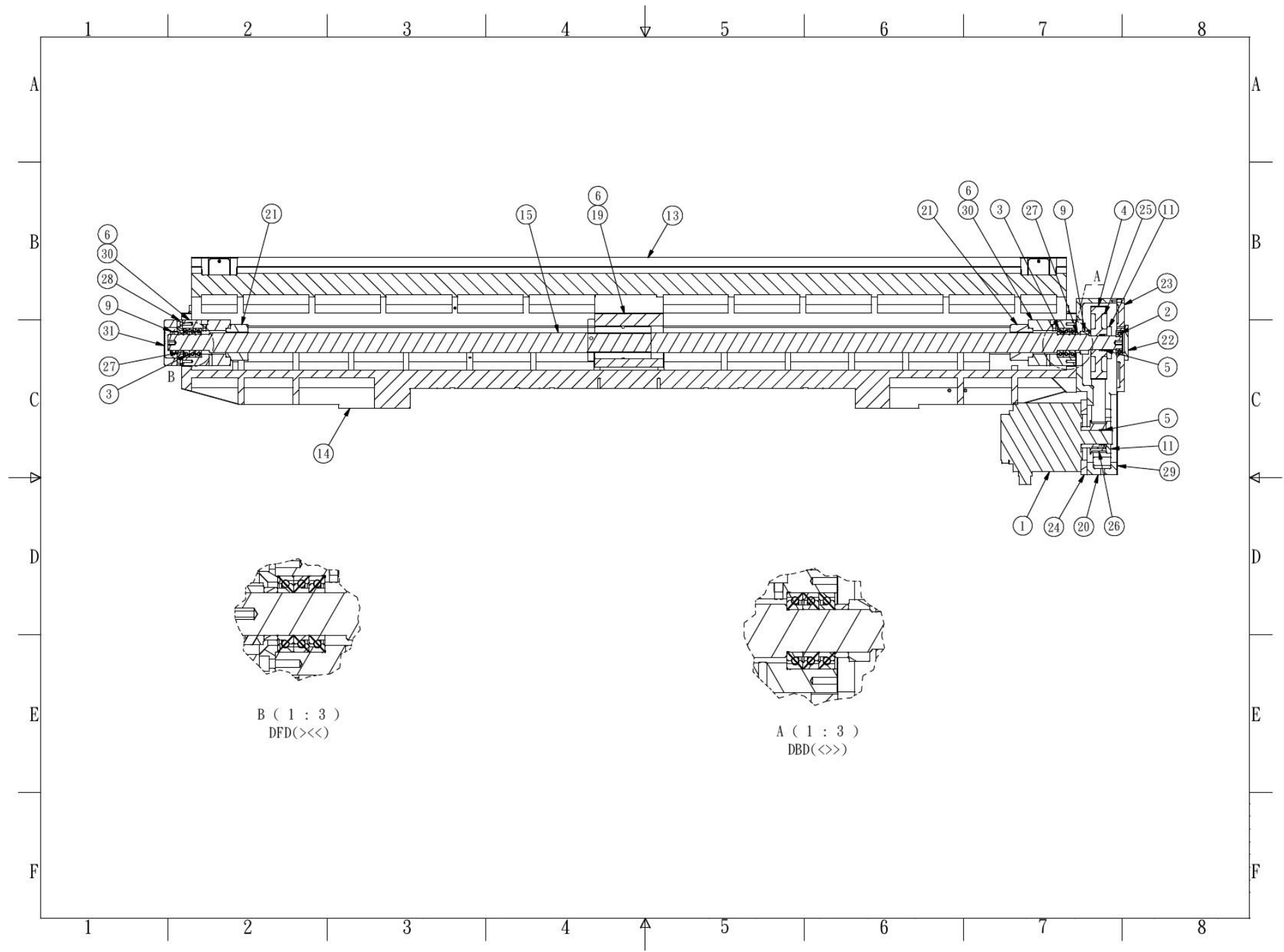


X 軸傳動/X Axis Transmission





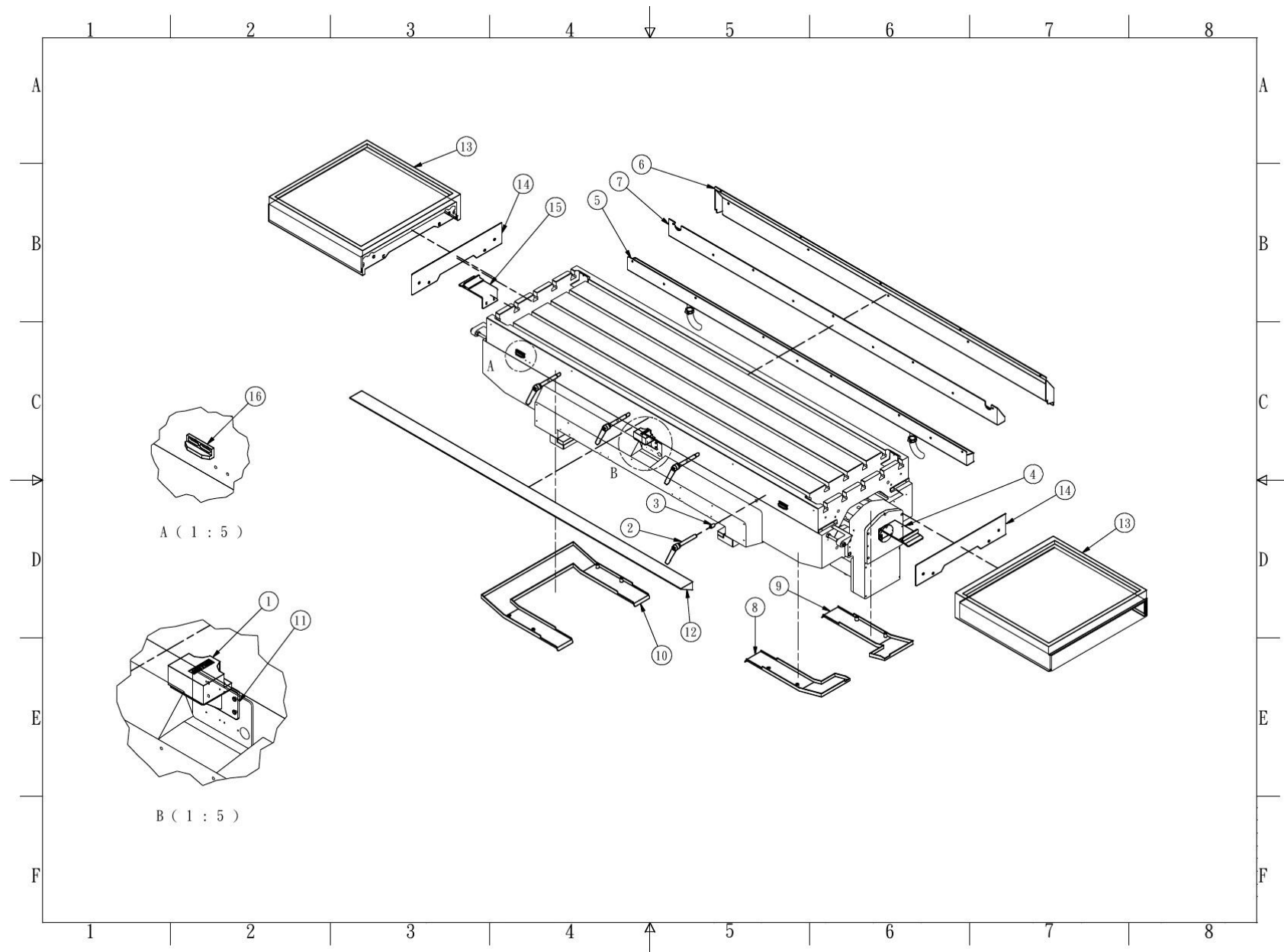
X 軸傳動/X Axis Transmission

項目/No.	零件編號/Serial No.	零件名稱/Parts Name	規格/Specification	數量/Q' TY
1	A320100007	伺服馬達-軸向 / Servo Motor		1
2	B000002009	深槽滾珠軸承 / Bearing	6206ZZ	1
3	B000400007	支持軸承 / Bearing	BS 40*72 2RS ABM	6
4	B020105021	齒型皮帶 / Belt	880-8YU-35	1
5	B040000005	錐形環鍵 / Conical ring key	PL3540	4
6	B040302019	斜銷 / Oblique pin	7#*57--鑽孔 M6	8
7	B040303025	直銷 / Straight Pin	Φ6x60	2
8	C000301003	牙條 / Threaded rod	M12x1.75x140	2
9	C070100001	精密螺帽 / Precision Nut	YSF M40x1.5	2
10	C070200008	六角螺帽 / Hexagon Nut	M12xP1.75	6
11	K141020020	皮帶輪護蓋 / Pulley Cover		2
12	K141020280	右後刮刷片 / Right Back Scrapper		8
13	K161010040	工作台 / Working Table		1
14	K161010050	鞍座 / Saddle		1
15	K161020050	X 軸螺桿 / X Axis Ball Screw	R50-10K6-FDC-2042-2401-C3	1
16	K161020190	工作台左副軌 / Working Table Secondary Rail (Left)		1
17	K161020200	工作台右副軌 / Working Table Secondary Rail (Right)		1
18	K161060070	工作台擋屑板 / Working Table Chip Guard	T=1.8mm	2
19	K171020010	螺帽座 / Nut Seat		1
20	K171020050	X 軸皮帶輪箱 / X Axis Pulley Box		1
21	K171020060	緩衝墊 / Cushion	Ø90X45L	2
22	K171020070	皮帶輪箱蓋 / Pulley Box Cover		1
23	K171020080	XZ 軸皮帶輪箱蓋 / XZ Axis Pulley Box Cover		1

X 軸傳動/X Axis Transmission

項目/No.	零件編號/Serial No.	零件名稱/Parts Name	規格/Specification	數量/Q' TY
24	K171020090	XZ 軸馬達板 / XZ Motor Cover		1
25	K171020160	輸出皮帶輪 / Axis Pulley	8YU-70T	1
26	K171020170	馬達皮帶輪 / Motor Pulley	8YU-28T	1
27	K171020240	螺桿墊塊 / Ball Screw Cushion	外圈 50X 內圈 40X13L	2
28	K171020380	軸承固定塊 / Bearing Fixing Block	三顆培林用	1
29	K171060010	XZ 皮帶輪箱封板 / XZ Pulley Box Cover		1
30	K406020012	軸承座 / Bearing Seat	三顆培林用	2
31	K459020120	螺桿護蓋 / Ball Screw Cover		1

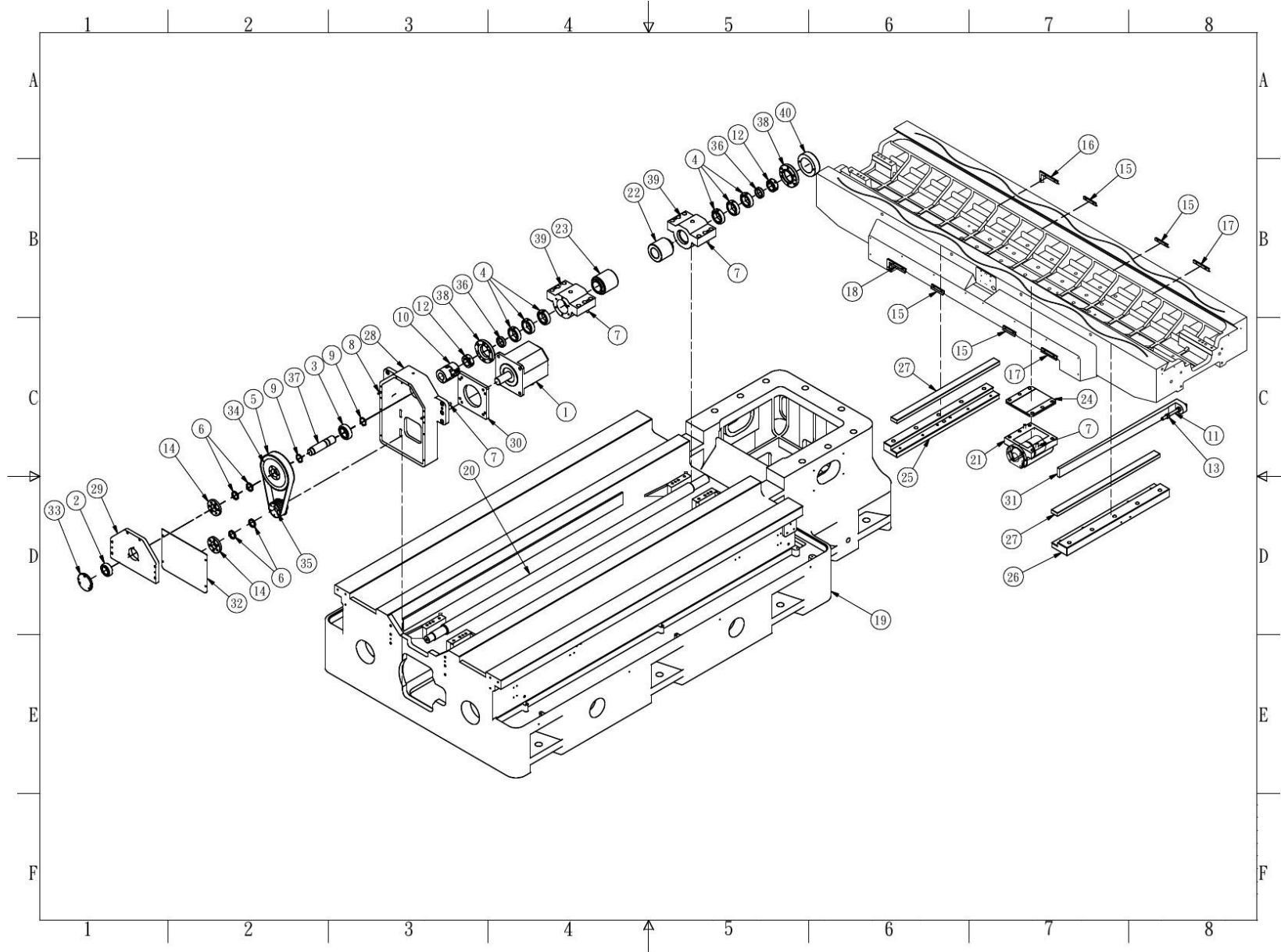
X 軸周邊/X Axis Surrounding

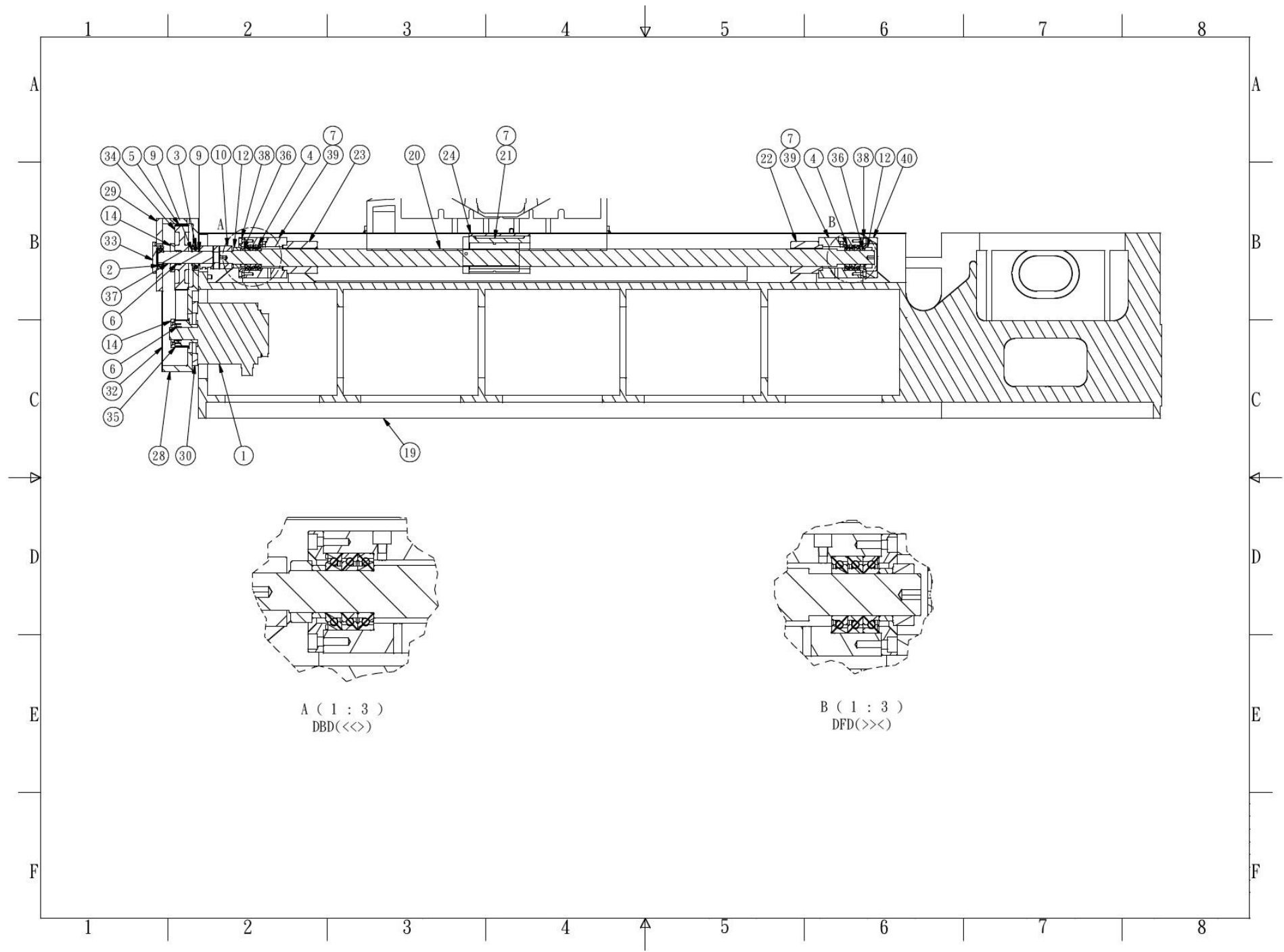


X 軸周邊 / X Axis Surrounding

項目	零件編號	零件名稱	規格	數量
1	A080200009	二聯限動開關 / Limit Switch	德製，SN02，2 聯(BNS819)	1
2	G000001010	TRT 把手 / TRT Handle	M16*110--柄長 95L	4
3	K141020260	銅墊塊 / Copper Pad		4
4	K141060480	伸縮護蓋擋板-左 / Telescoip Cover Baffle-Left		1
5	K161060330	鞍座盛水槽 / Saddle Coolant Tank		1
6	K161060340	工作台後蓋(外) / Working Table Back Cover		1
7	K161060350	工作台後蓋(內) / Working Table Back Cover		1
8	K161060370	右前承油槽 / Right Front Oil Container		1
9	K161060380	右後承油槽 / Right Back Oil Container		1
10	K161060390	左承油槽 / Left Oil Container		1
11	K161060430	X 軸極限座 / X Axis Limit Seat		1
12	K161060720	工作台防屑板 / Working Table Chip Guard		1
13	K161070020	X 軸伸縮護蓋 / X Axis Telescoip Cover		2
14	K161070030	X 軸防水塑膠 / X Axis Waterproof Plastic Cover		2
15	K171060160	左伸縮護蓋擋板 / Left telescopic cover		1
16	K403010090	極限塊 / Limit Block		2

Y 軸傳動 / Y Axis Transmission





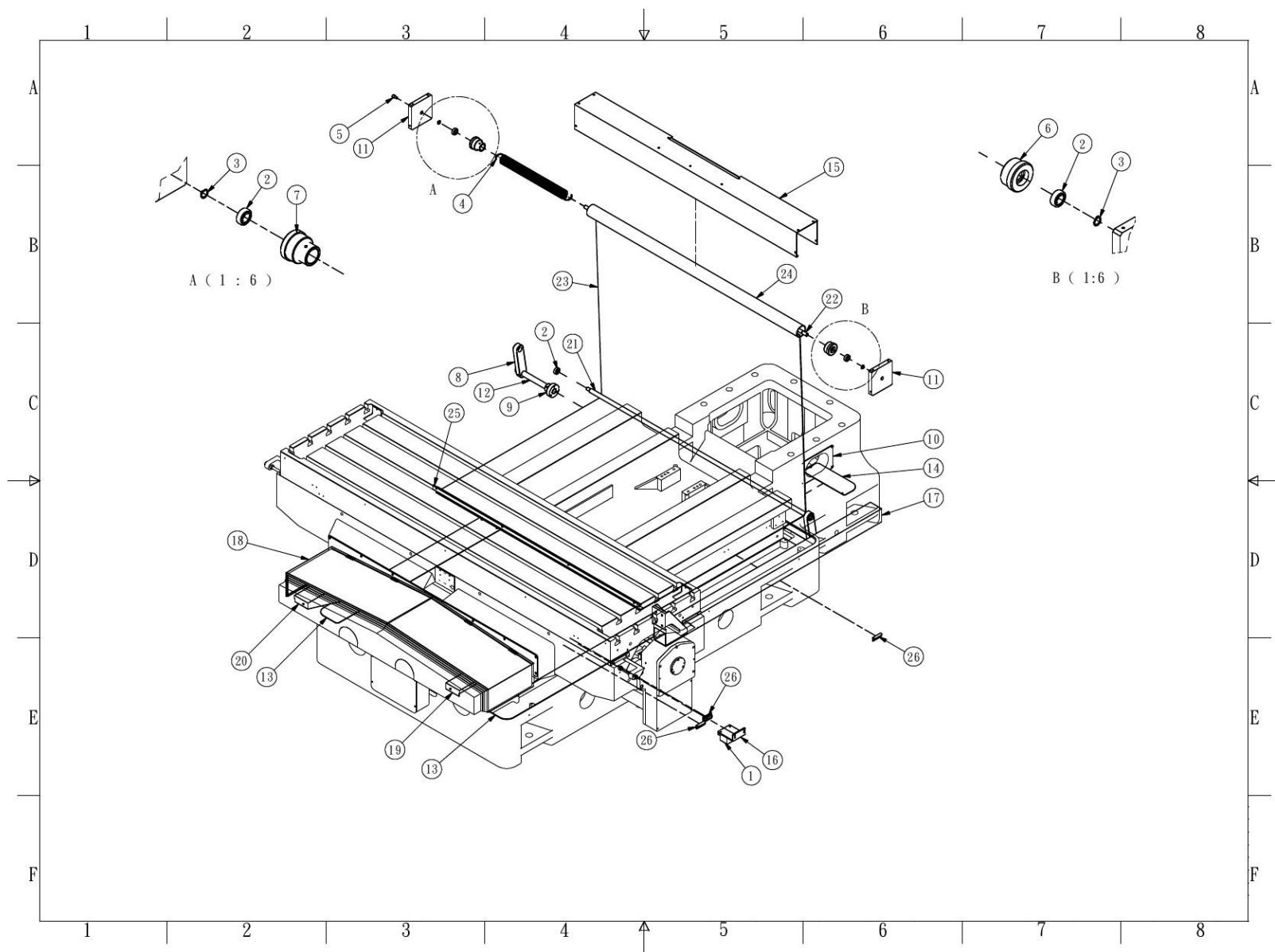
Y 軸傳動 / Y Axis Transmission

項目	零件編號	零件名稱	規格	數量
1	A320100007	伺服馬達-軸向 / Servo Motor		1
2	B000002009	深槽滾珠軸承 / Bearing	6206ZZ	1
3	B000002011	深槽滾珠軸承	6207ZZ	1
4	B000400007	支持軸承 / Bearing	BS 40*72 2RS ABM	6
5	B020105009	齒型皮帶 / Belt	840-8YU-35	1
6	B040000005	錐形環鍵 / Conical ring key	PL3540	4
7	B040302019	斜銷 / Oblique pin	7#*57--鑽孔 M6	8
8	B040303025	直銷 / Straight Pin	Φ6x60	2
9	B060202012	C 型扣環 / C Ring	S-35	2
10	B200500004	聯軸器 / Coupling	35-35-90	1
11	C000301003	牙條 / Thread Rod	M12x1.75x140	1
12	C070100001	精密螺帽 / Precision Nut	YSF M40x1.5	2
13	C070200008	六角螺帽 / Hexagon Nut	M12xP1.75	3
14	K141020020	皮帶輪護蓋 / Pulley Cover		2
15	K141020040	工作台刮刷片 / Working Table Scrapper		4
16	K141040770	右下刮片 / Left Rear Scrapper		1
17	K141040780	左上下刮片 / Left Top Scrapper		2
18	K141040790	右上刮片 / Right Top Scrapper		1
19	K161010030	底座 / Base		1
20	K161020040	Y 軸螺桿 / Y Axis Ball Screw	R50-10K6-FDC-1549-1851-C3	1
21	K161020060	螺帽座 / Nut Seat		1
22	K161020090	緩衝墊 / Cushion	Ø90XØ52X79L	1

Y 軸傳動 / Y Axis Transmission

項目	零件編號	零件名稱	規格	數量
23	K161020100	緩衝墊 / Cushion	Ø90XØ52X87L	1
24	K161020110	Y 軸螺帽座墊塊 / Y Axis Nut Block		1
25	K161020150	前後護軌-左 / Secondary Rail - Left		1
26	K161020160	前後護軌-右 / Secondary Rail - Right		1
27	K161020170	前後副軌 / Front and rear secondary rail		2
28	K161020210	Y 軸皮帶輪箱 / Y Axis Pulley Box		1
29	K161020220	Y 軸皮帶輪箱蓋 / Y Axis Pulley Box Cover		1
30	K161020230	X 軸馬達座 / X Axis Motor Seat		1
31	K161040051	前後護軌 / Front and rear guard rails		1
32	K161060010	皮帶輪箱下蓋 / Pulley Box Bottom Cover		1
33	K171020070	皮帶輪箱蓋 / Pulley Box Cover		1
34	K171020160	輸出皮帶輪 / Axis Pulley	8YU-70T	1
35	K171020170	馬達皮帶輪 / Motor Pulley	8YU-28T	1
36	K171020240	螺桿墊塊 / Ball Screw Cushion	外圈 50X 內圈 40X13L	2
37	K171020270	傳動接軸 / Drive shaft		1
38	K171020380	軸承固定塊 / Bearing Fixing Block	三顆培林用	2
39	K406020012	軸承座 / Bearing Seat	三顆培林用	2
40	K459020120	螺桿護蓋 / Ball Screw Cover		1

Y 軸周邊 / Y Axis Surrounding



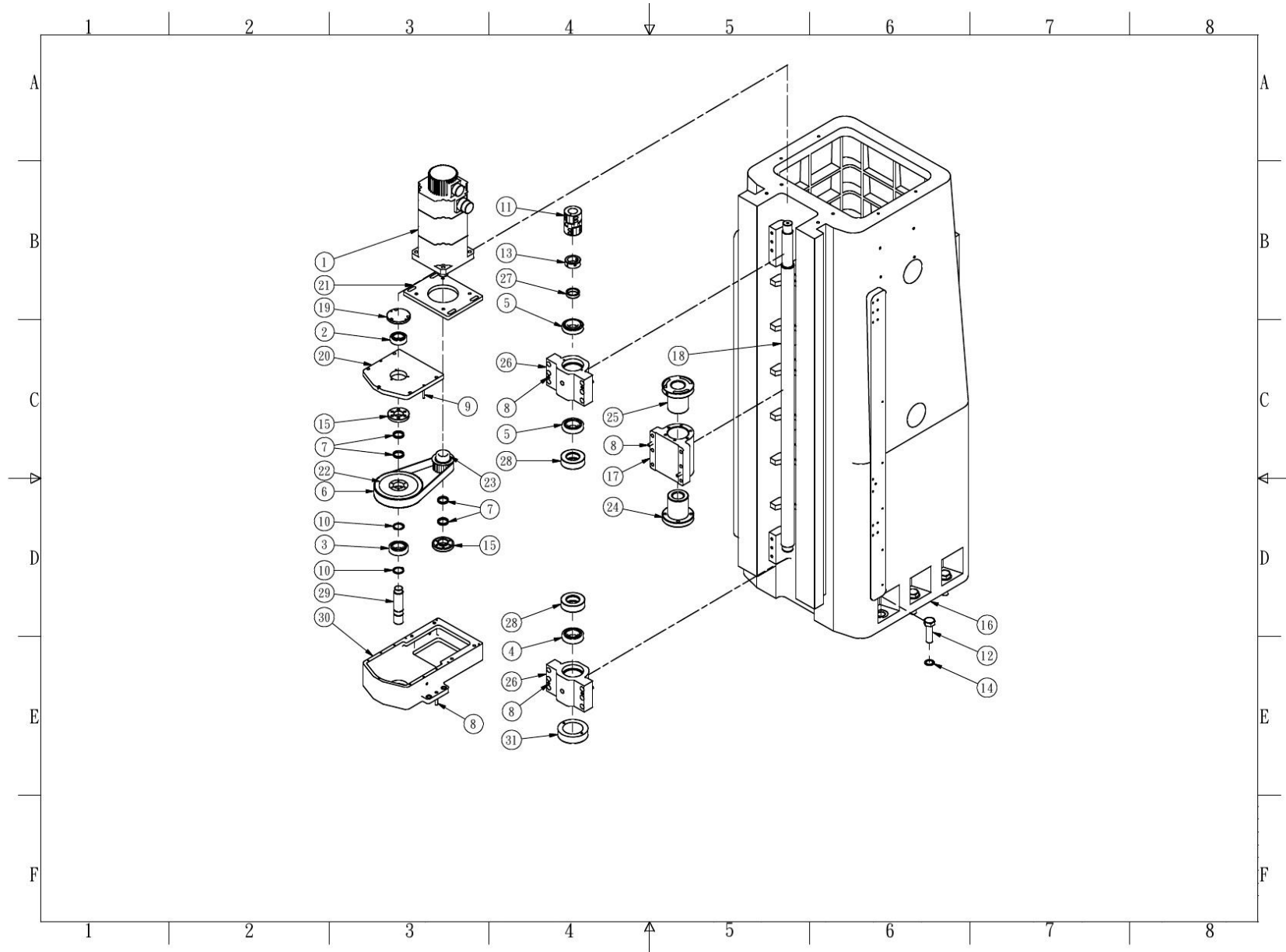
Y 軸周邊 / Y Axis Surrounding

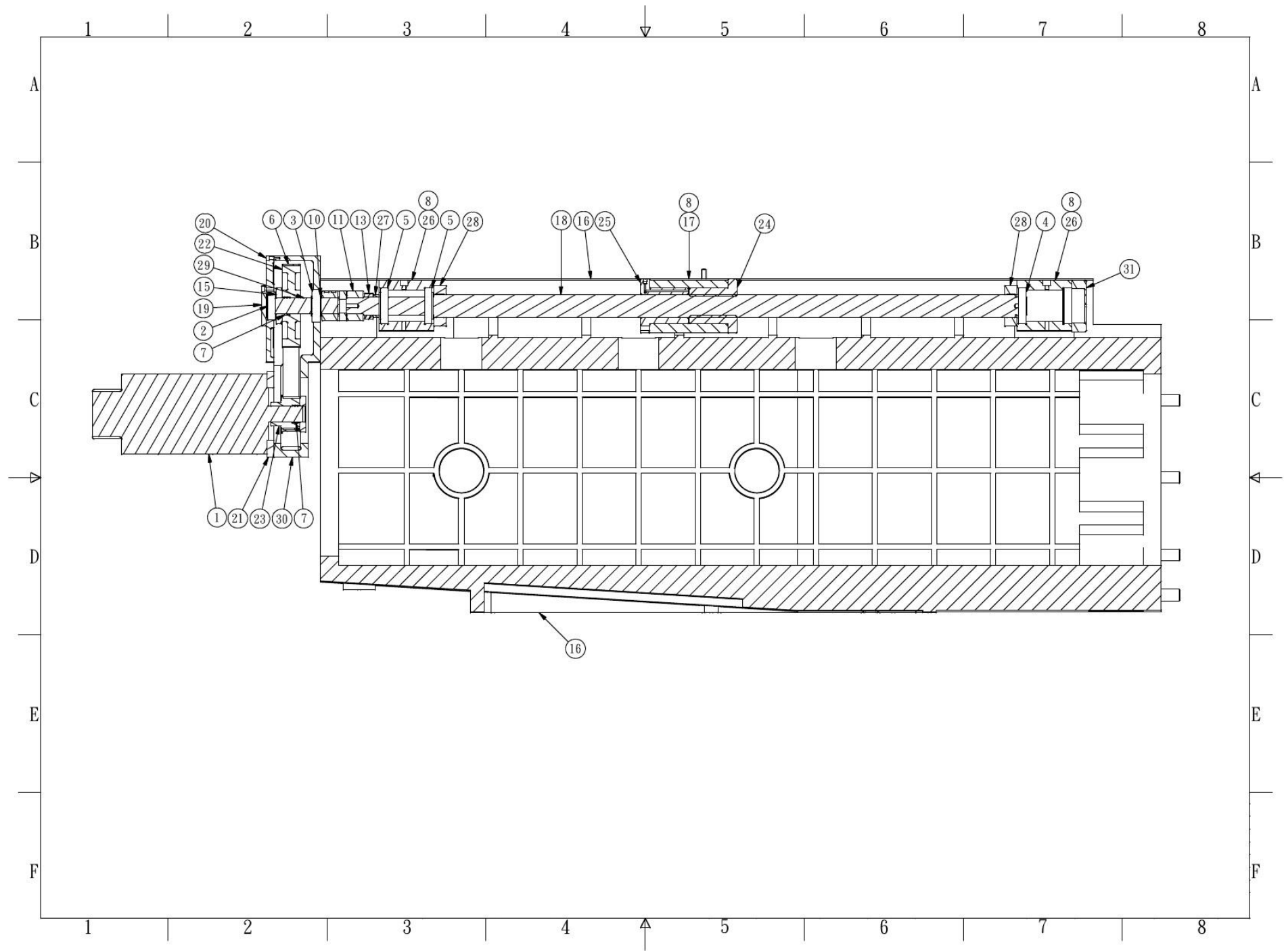
項目/No.	零件編號/Serial No.	零件名稱/Parts Name	規格/Specification	數量/Q' TY
1	A080200009	二聯限動開關 / Limit Switch	德製, SN02, 2 聯(BNS819)	1
2	B000001012	深槽滾珠軸承 / Bearing	6002ZZ	4
3	B060202004	C 型扣環 / C Ring	S-15	2
4	K131010030	帆布拉伸彈簧 / Spring		1
5	K131010040	帆布捲筒心軸螺絲 / Canvas reel Center screw		1
6	K141010110	捲筒右蓋 / Cover		1
7	K141010120	捲筒左蓋 / Cover		1
8	K141010130	帆布架 A / Canvas rack		2
9	K141010150	軸套 / Bushing		2
10	K141060100	底座側蓋 A / Base Cover A		2
11	K161010010	擋屑板左右護蓋 / Chip Guard Left Right Cover		2
12	K161010180	帆布支軸 B / Canvas shaft B		2
13	K161060020	底座防屑板-A / Base Chip Guard-A		2
14	K161060030	底座防屑板-B / Base Chip Guard-B		2
15	K161060100	擋屑板護蓋 / Cover		1
16	K161060280	Y 軸極限墊塊 / Y Axis Limit Block		1
17	K161060450	Y 軸電線槽 / Y Axis Cable Groove		1
18	K161070010	Y 前伸縮護蓋 / Y Axis Telescoip Cover		1
19	K161070070	Y 前伸板支架-右 / Y Axis Front Bracket		1

Y 軸周邊 / Y Axis Surrounding

項目/No.	零件編號/Serial No.	零件名稱/Parts Name	規格/Specification	數量/Q' TY
20	K161070080	Y 前伸板支架-左 / Y Axis Front Extension Bracket		1
21	K171010110	帆布軸 / Canvas shaft		1
22	K171010120	捲筒心軸 / Reel spindle		1
23	K171010130	防屑布 / Anti Dust Clove	1360*2400	1
24	K171060190	捲筒 / Reel		1
25	K171060220	帆布固定架 / Canvas holder		1
26	K403010090	極限塊 / Limit Block		3

Z 軸傳動 / Z Axis Transmission



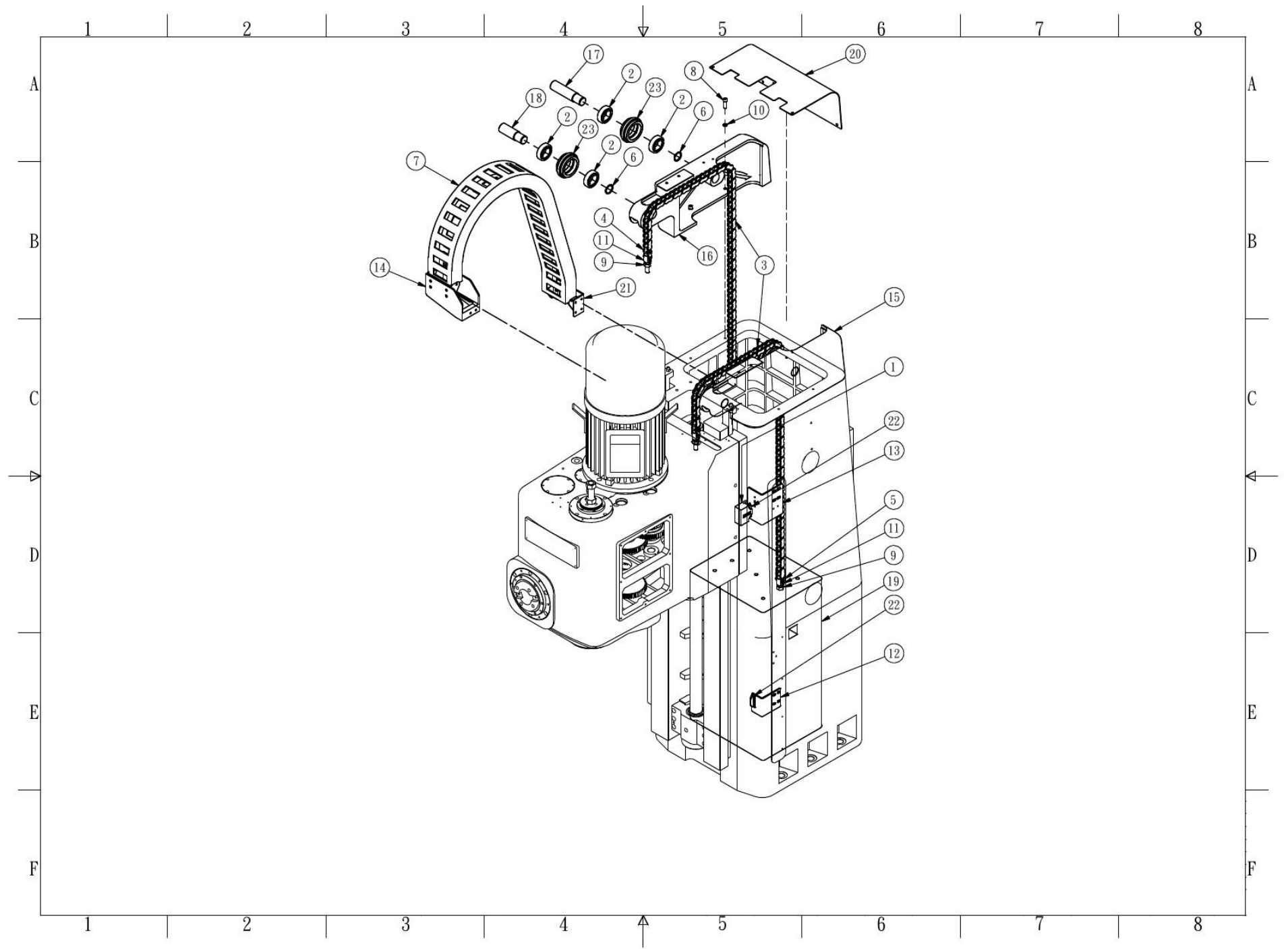


Z 軸傳動 / Z Axis Transmission

項目/No.	零件編號/Serial No.	零件名稱/Parts Name	規格/Specification	數量/Q' TY
1	A050100012	伺服馬達 / Servo Motor	4.5KW 220V 17B-200LY-2000P RM(8192)	1
2	B000002009	深槽滾珠軸承 / Bearing	6206ZZ	1
3	B000002011	深槽滾珠軸承 / Bearing	6207ZZ	1
4	B000002014	深槽滾珠軸承 / Bearing	6208ZZ	1
5	B000101006	圓錐滾子軸承 / Bearing	30208	2
6	B020105021	齒型皮帶 / Belt	880-8YU-35	1
7	B040000005	錐形環鍵 / Conical ring key	PL3540	4
8	B040302019	斜銷 / Oblique pin	7#*57--鑽孔 M6	8
9	B040303025	直銷 / Straight Pin	Φ6x60	2
10	B060202012	C 型扣環 / C Ring	S-35	2
11	B200500004	聯軸器 / Coupling	35-35-90	1
12	C030008008	六角頭螺絲 / Hexagon Screw	1"*12UNF-80mm	8
13	C070100001	精密螺帽 / Precision Nut	YSF M40x1.5	1
14	C090600009	安全華司 / Safety Washer	1"	8
15	K141020020	皮帶輪護蓋 / Pulley Cover		2
16	K161010160	立柱 / Column	新立柱	1
17	K161020010	螺帽座 / Nut Seat		1
18	K161020140	Z 軸螺桿 / Z Axis Screw		1
19	K171020070	皮帶輪箱蓋 / Pulley Box Cover		1
20	K171020080	XZ 軸皮帶輪箱蓋 / XZ Axis Pulley Box Cover		1
21	K171020090	XZ 軸馬達板 / XZ Motor Cover		1
22	K171020160	輸出皮帶輪 / Axis Pulley	8YU-70T	1
23	K171020170	馬達皮帶輪 / Motor Pulley	8YU-28T	1

Z 軸傳動 / Z Axis Transmission

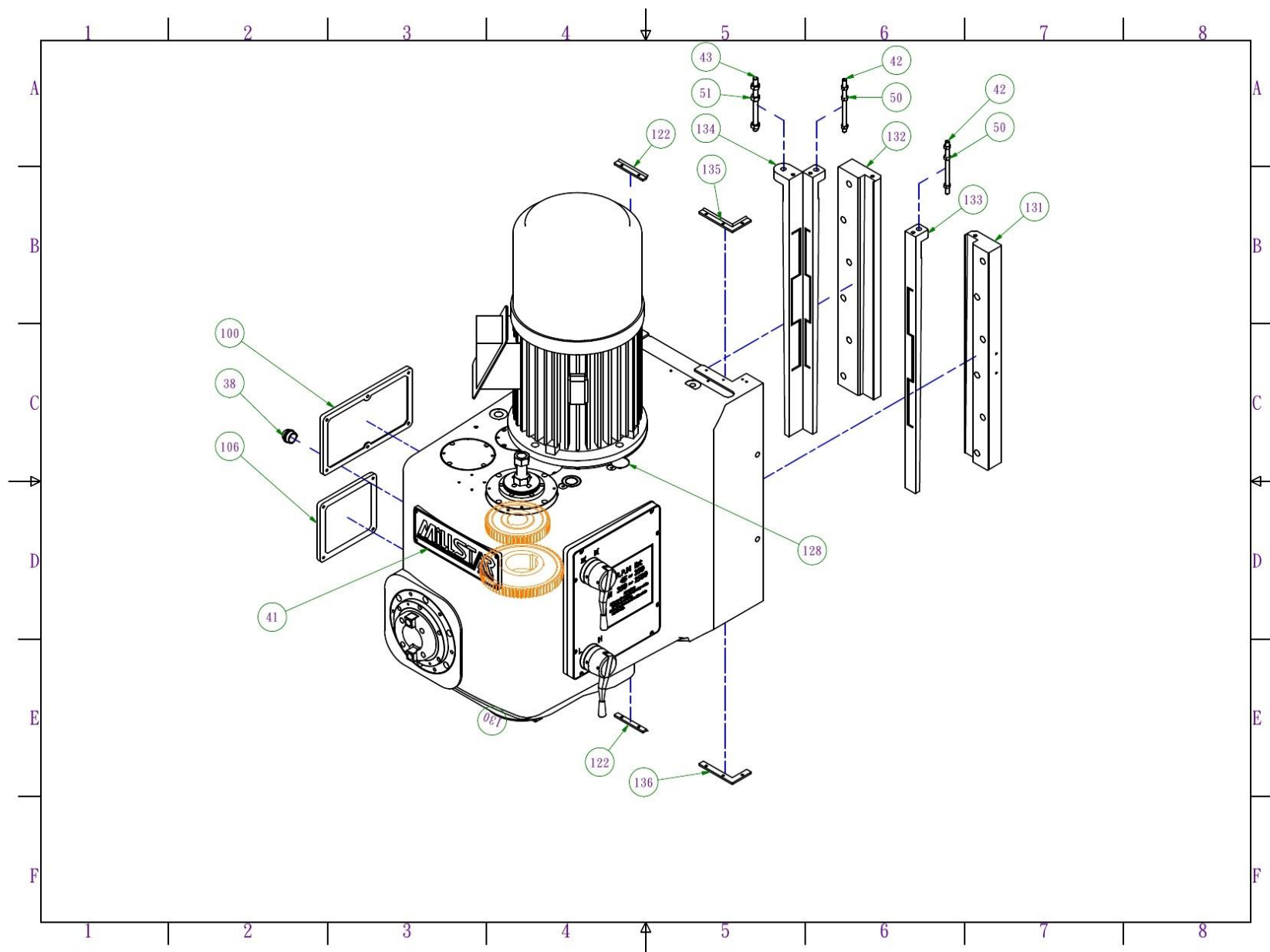
項目/No.	零件編號/Serial No.	零件名稱/Parts Name	規格/Specification	數量/Q' TY
24	K171020200	固定螺帽 / Fix Nut	TR50xP10 右牙	1
25	K171020210	調整螺帽 / Adjust Nut	TR50xP10 右牙	1
26	K171020232	軸承座 / Bearing Seat		2
27	K171020240	螺桿墊塊 / Screw Block	外圈 50X 內圈 40X13L	1
28	K171020260	緩衝墊-28L / Cushion	90x50x28	2
29	K171020270	傳動接軸 / Drive Shaft		1
30	K171020360	Z 軸皮帶輪箱 / Z Axis Pulley Box		1
31	K459020120	螺桿護蓋 / Screw Cover		1

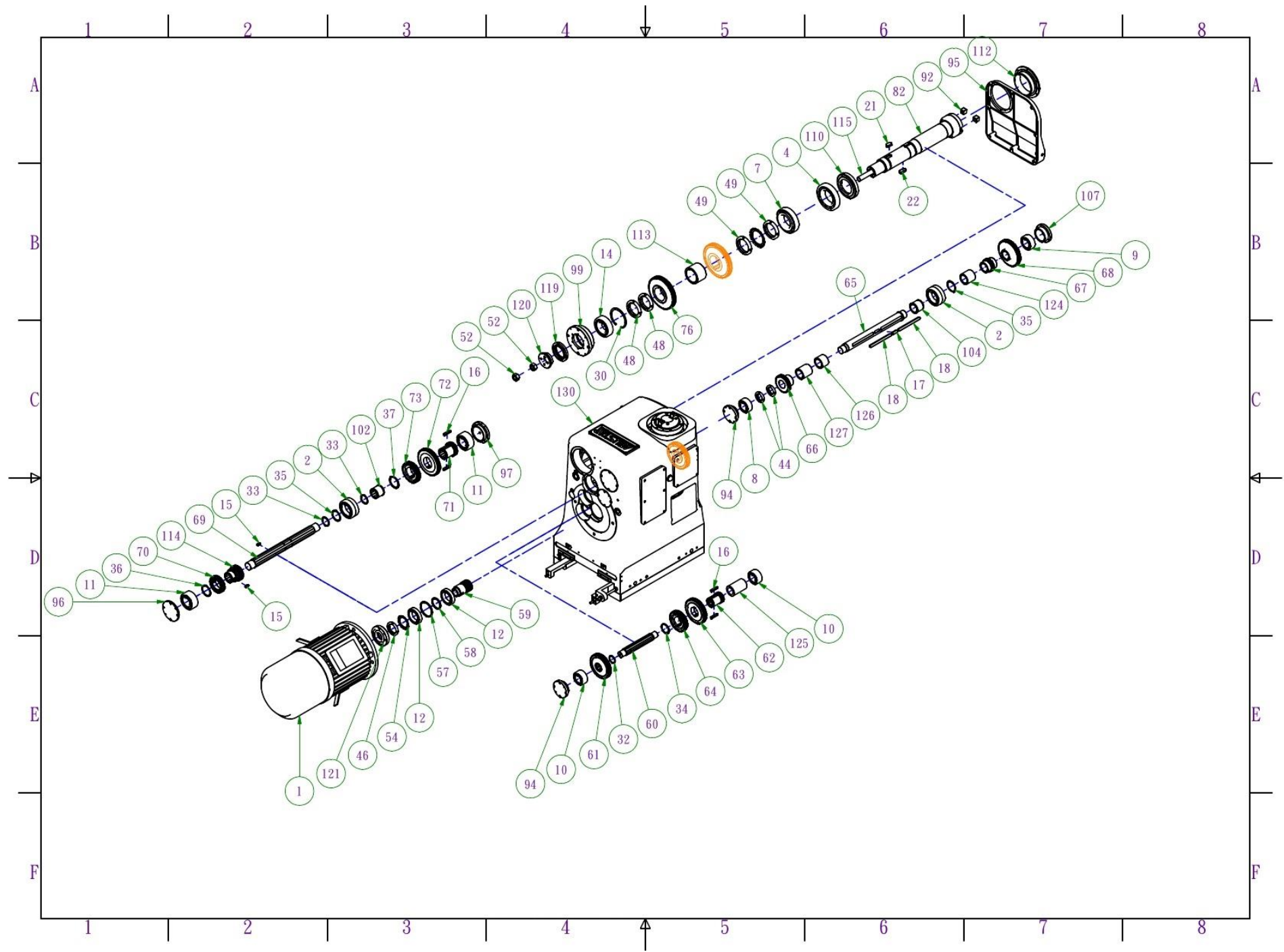


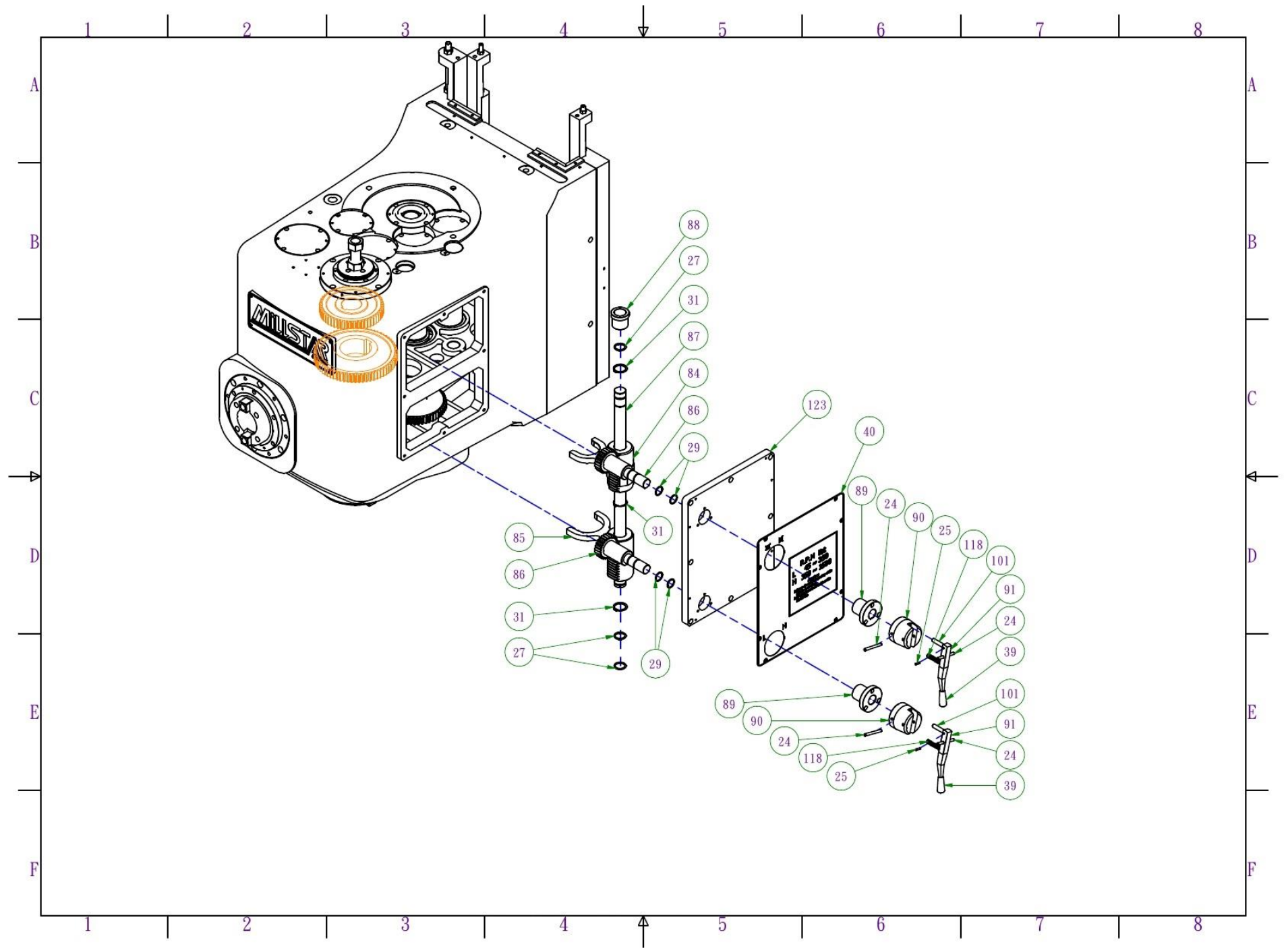
Z 軸周邊 / Z Axis Surrounding

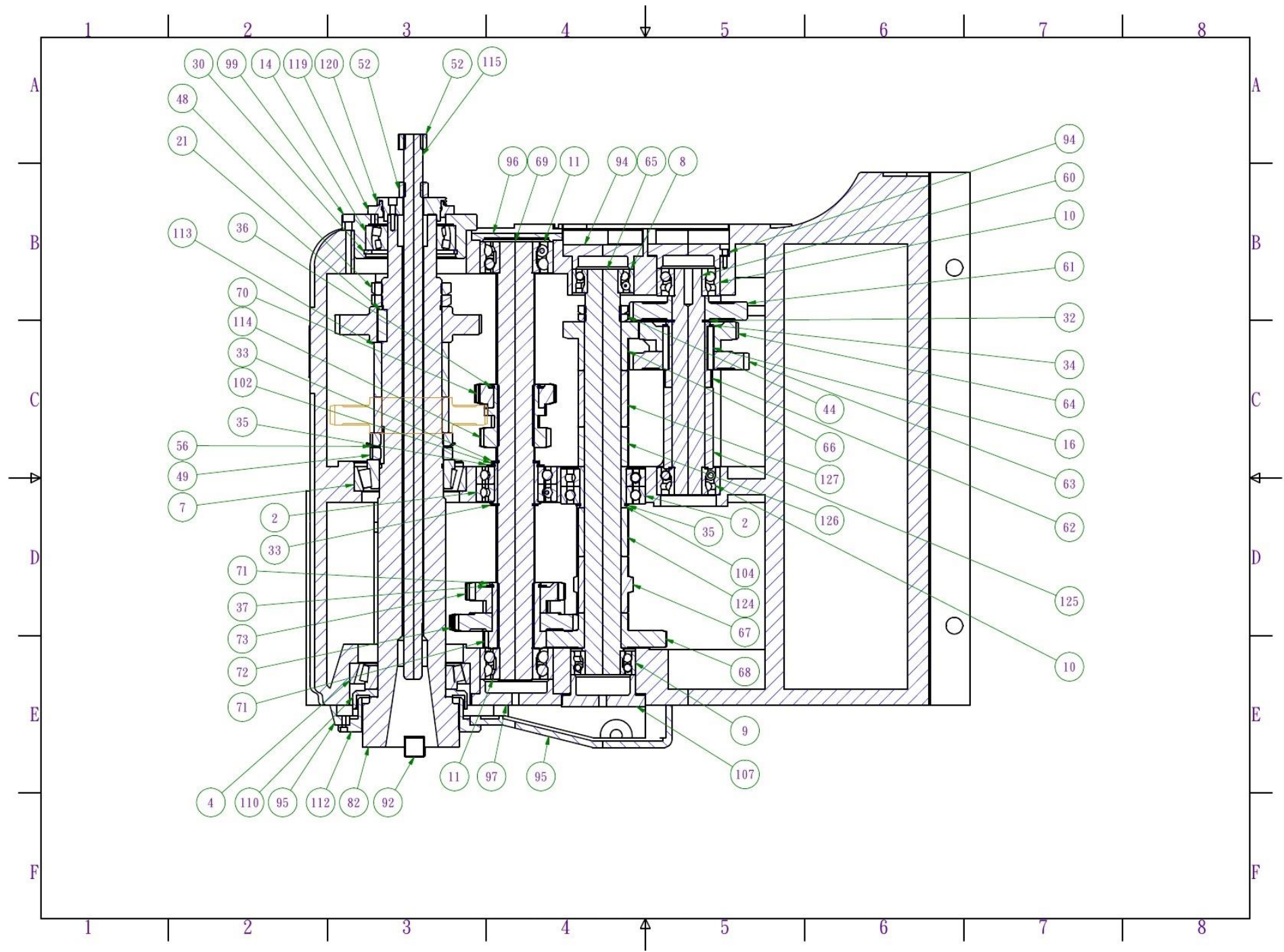
項目/No.	零件編號/Serial No.	零件名稱/Parts Name	規格/Specification	數量/Q' TY
1	A080200009	二聯限動開關 / Limit Switch	德製, SN02, 2 聯(BNS819)	1
2	B000002011	深槽滾珠軸承 / Bearing	6207ZZ	8
3	B030100010	鍊條 / Chain	1"*1800L(71 目)	2
4	B030300004	鏈目 / Chain Link	1" -- 全目	2
5	B030300005	鏈目 / Chain Link	1" -- 半目	2
6	B060202012	C 型扣環 / C Ring	S-35	4
7	B080200017	Z 軸方形護管 / Z Axis Protection Tube	A8019-6-300-1638L	1
8	C020006005	六角孔螺絲 / Hexagon Screw	M10xP1.5 x 35L	4
9	C070200009	六角螺帽 / Hexagon Nut	M16xP2	4
10	C090400004	彈簧華司 / Spring Washer	M10	4
11	K141010320	鏈條螺絲 / Chain Screw	M16 鏈條 1" 用	4
12	K141060270	Z 軸極限固定塊-下 / Z Axis Limit Block-Bottom		1
13	K141060280	Z 軸極限固定塊-上 / Z Axis Limit Block-Top		1
14	K141060320	方型護管支架 / Protection Tube Shaft		1
15	K161010060	平衡支架-右 / Balancing Shaft-Right		1
16	K161010070	平衡支架-左 / Balancing Shaft-Left		1
17	K161010080	鏈輪軸-後 / Sprocket shaft - Rear		2
18	K161010090	鏈輪軸-前 / Sprocket shaft - Front		2
19	K161010100	配重塊 / Counter Weight	888KG	1
20	K161060060	平衡支架上蓋 / Balancing Shaft Top Cover		1
21	K161060300	方形護管支架 / Protection Tube Shaft		1
22	K403010090	極限塊 / Limit Block		2
23	K451010120	鏈輪 / Sprocket		4

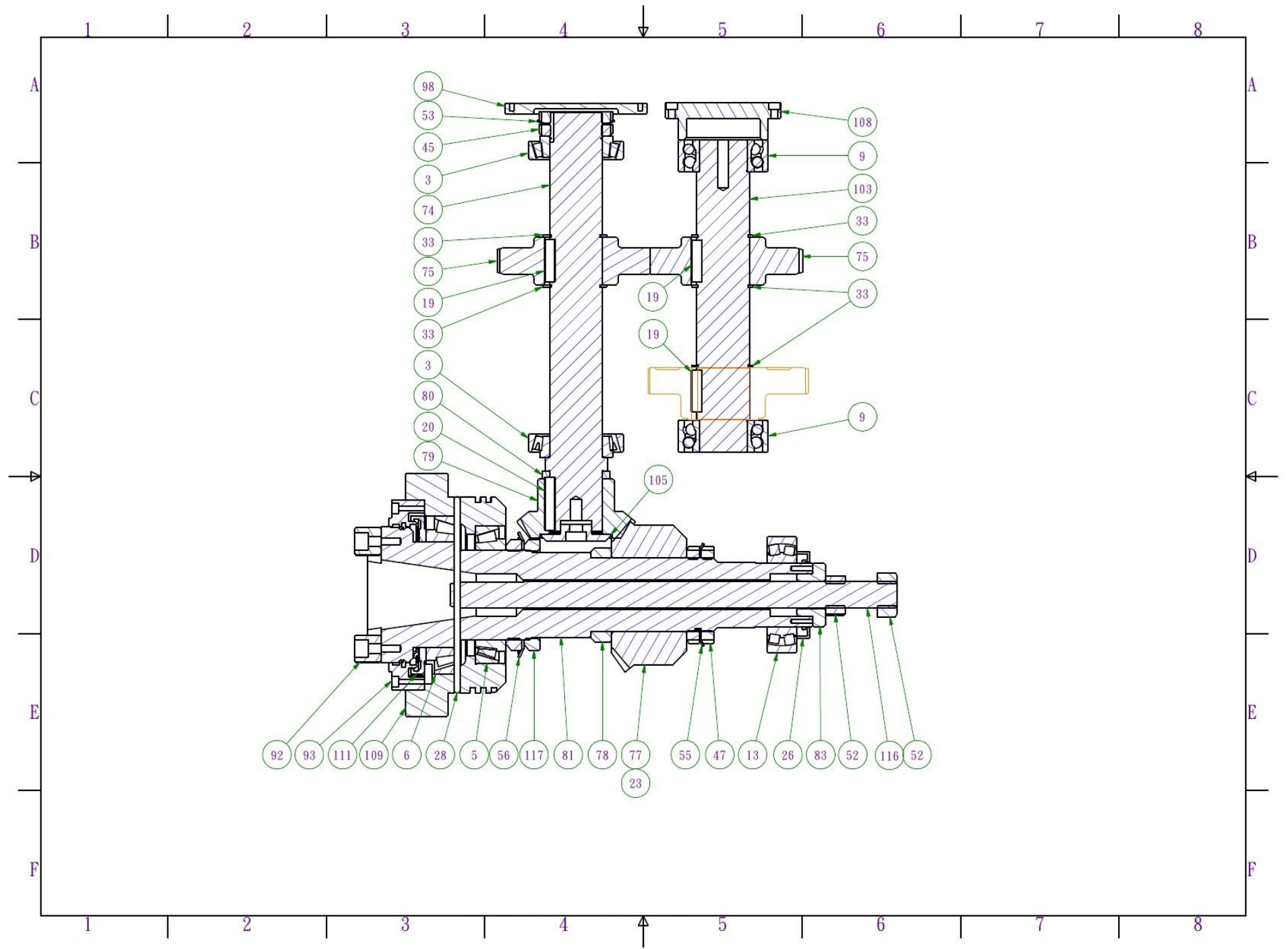
主軸傳動 / Spindle head Transmission











頭部傳動 / Spindle Head Transmission

項目/No.	零件編號/Serial No.	零件名稱/Parts Name	規格/Specification	數量/Q' TY
1	A050001003	立式馬達 / Spindle Motor	25HP/4P, 220/	1
2	B000002021	深槽滾珠軸承 / Bearing	6212	4
3	B000101009	圓錐滾子軸承 / Bearing	30210	2
4	B000101017	圓錐滾子軸承 / Bearing	30218	1
5	B000102004	圓錐滾子軸承 / Bearing	32017	1
6	B000102005	圓錐滾子軸承 / Bearing	32020	1
7	B000102011	圓錐滾子軸承 / Bearing	32217	1
8	B000200003	雙列深槽滾珠軸承 / Bearing	3208	1
9	B000200004	雙列深槽滾珠軸承 / Bearing	3209	3
10	B000200008	雙列深槽滾珠軸承 / Bearing	3307	2
11	B000200009	雙列深槽滾珠軸承 / Bearing	3309	2
12	B000300007	萬向角接觸滾珠軸承 / Bearing	7012	2
13	B000702003	球型滾子軸承 / Bearing	22212	1
14	B000702004	球型滾子軸承 / Bearing	22213	1
15	B040107001	雙圓頭鍵 / Double head round keys	12x8x25	2
16	B040107003	雙圓頭鍵 / Double head round keys	12x8x55	4
17	B040108001	雙圓頭鍵 / Double head round keys	14x9x40	1
18	B040108008	雙圓頭鍵 / Double head round keys	14x9x172	2
19	B040109002	雙圓頭鍵 / Double head round keys	15x10x40	3
20	B040109004	雙圓頭鍵 / Double head round keys	15x10x50	1
21	B040113001	雙圓頭鍵 / Double head round keys	20x12x40	1
22	B040113006	雙圓頭鍵 / Double head round keys	20x12x45	1
23	B040113007	雙圓頭鍵 / Double head round keys	20x12x60	1

頭部傳動 / Spindle Head Transmission

項目/No.	零件編號/Serial No.	零件名稱/Parts Name	規格/Specification	數量/Q' TY
24	B040301011	彈簧銷 / Spring Pin	Φ6 x 60L	4
25	B040301013	彈簧銷 / Spring Pin	Φ4 x 14L	2
26	B060006004	油封 / Oil Seal	60x82x12	1
27	B060101003	O 型環 / O Ring	G-25	3
28	B060101020	O 型環 / O Ring	G-175	1
29	B060102012	O 型環 / O Ring	P-21	4
30	B060201010	穴用扣環 / Retaining Rings	R120	1
31	B060202011	C 型扣環 / C Ring	S-30	4
32	B060202014	C 型扣環 / C Ring	S-42	1
33	B060202016	C 型扣環 / C Ring	S-50	7
34	B060202018	C 型扣環 / C Ring	S-56	1
35	B060202020	C 型扣環 / C Ring	S-60	2
36	B060202021	C 型扣環 / C Ring	S-62	1
37	B060202025	C 型扣環 / C Ring	S-65	1
38	B060300008	油鏡 / Oil Indicator	M30*P1.5	1
39	B060400001	把手套 / Handle Cover	3/8''-16UNC	2
40	B210200017	變速銘板 / Speed Change Indicator Plate	308x390 波麗	1
41	B210300031	MILLSTAR 頭部銘板 / Millstar Name Plate	300x108 波麗	1
42	C000300002	牙條 / Threaded Tod	M10x1.5x160	2
43	C000301003	牙條 / Threaded Tod	M12x1.75x140	1
44	C070000009	防鬆螺帽, AN-09 / Anit Loose Nut AN-09	M45*P1.5-右牙	2
45	C070000013	防鬆螺帽, AN-10 / Anit Loose Nut AN-10	M50*P1.5-右牙	2
46	C070000015	防鬆螺帽, ANL-12 / Anit Loose Nut ANL-12	M60*P2.0-左牙	1

頭部傳動 / Spindle Head Transmission

項目/No.	零件編號/Serial No.	零件名稱/Parts Name	規格/Specification	數量/Q' TY
47	C070000017	防鬆螺帽, ANL-14 / Anit Loose Nut ANL-14	M70*P2.0-左牙	2
48	C070000019	防鬆螺帽, ANL-16 / Anit Loose Nut ANL-16	M80*P2.0-左牙	2
49	C070000020	防鬆螺帽, ANL-17 / Anit Loose Nut ANL-17	M85*P2.0-左牙	2
50	C070200006	六角螺帽 / Hexagon Nut	M10xP1.5-14	6
51	C070200008	六角螺帽 / Hexagon Nut	M12xP1.75	3
52	C070600002	六角螺帽 / Hexagon Nut	M24xP3	4
53	C090500010	梅花墊圈 / Plum Washer	Φ50, AW-10	1
54	C090500012	梅花墊圈 / Plum Washer	Φ60, AW-12	1
55	C090500013	梅花墊圈 / Plum Washer	Φ70, AW-14	1
56	C090500016	梅花墊圈 / Plum Washer	Φ85, AW-17	2
57	K141040010	馬達齒輪墊圈-A / Motor Gear Washer-A		1
58	K141040020	馬達齒輪墊圈-B / Motor Gear Washer-B		1
59	K141040030	馬達齒輪 / Motor Gear	M2.5X24T	1
60	K141040040	第一軸 / First Axis		1
61	K141040050	第一軸齒輪 / First Axis Gear	M2.5X58T	1
62	K141040060	滑動齒輪 A-1 / Sliding Gear A-1	M3.0X19T	1
63	K141040070	滑動齒輪 A-2 / Sliding Gear A-2	M3.0X49T	1
64	K141040080	滑動齒輪 A-3 / Sliding Gear A-3	M3.0X40T	1
65	K141040090	第二軸 / Second Axis		1
66	K141040100	第二軸齒輪-A / Second Axis Gear-A	M3.0X33T	1
67	K141040110	第二軸齒輪-B / Second Axis Gear-B	M3.0X24T	1
68	K141040130	第二軸齒輪-D / Second Axis Gear-D	M3.0X52T	1
69	K141040150	第三軸 / Third Axis		1

頭部傳動 / Spindle Head Transmission

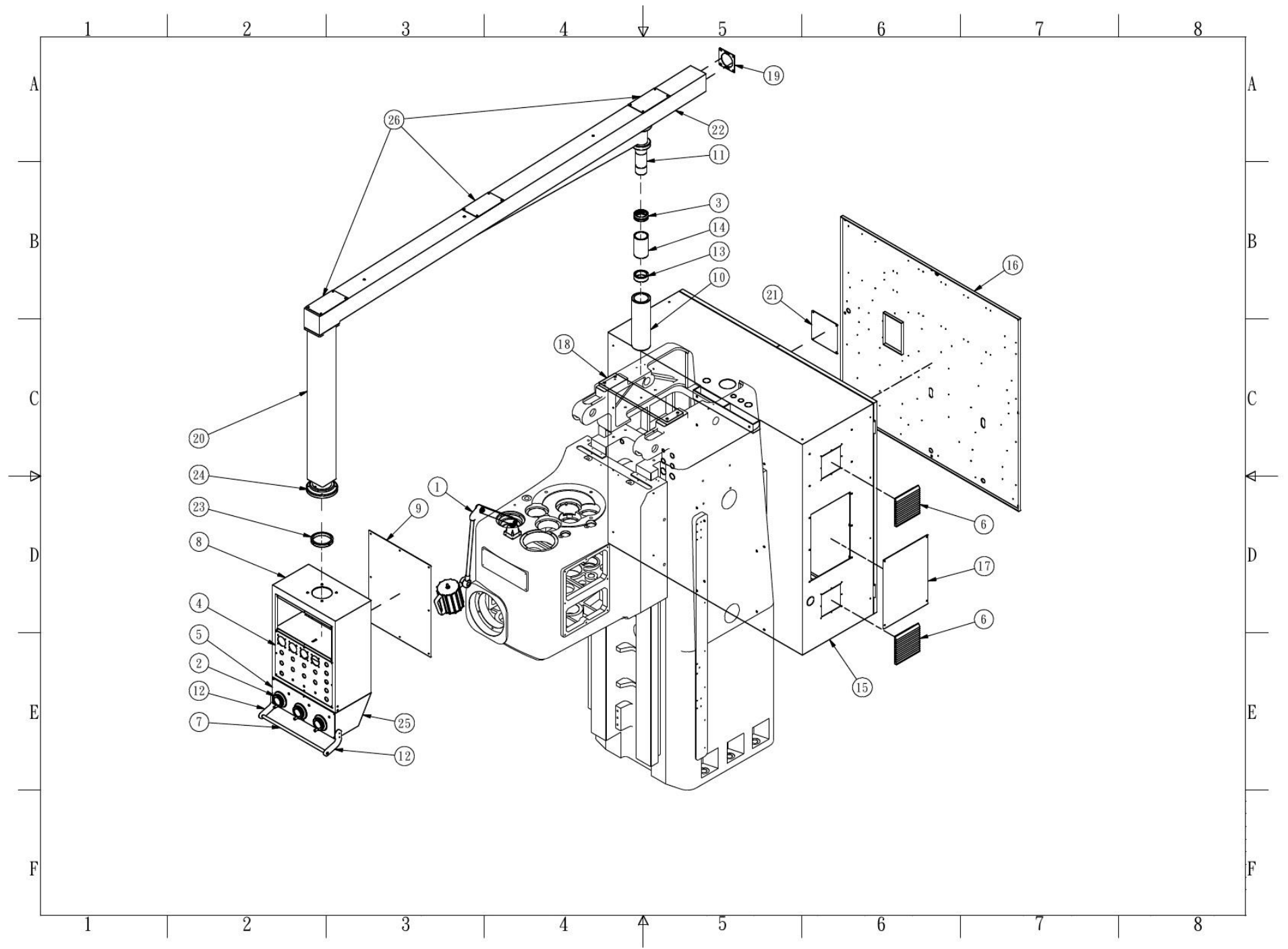
項目/No.	零件編號/Serial No.	零件名稱/Parts Name	規格/Specification	數量/Q' TY
70	K141040160	主軸變速大齒輪 / Spindle Speed Change Gear	M3. 0X32T	1
71	K141040170	滑動齒輪 B-1 / Sliding Gear B-1	M3. 0X25T	1
72	K141040180	滑動齒輪 B-2 / Sliding Gear B-2	M3. 0X53T	1
73	K141040190	滑動齒輪 B-3 / Sliding Gear B-3	M3. 0X40T	1
74	K141040200	第四軸 / Forth Axis		1
75	K141040210	橫銑傳動齒輪 / Horizontal Axis Transmission Gear	M3. 0x48T	2
76	K141040220	主軸齒輪 / Spindle Gear	M3. 0X64T	1
77	K141040230	從動螺旋傘齒輪 / Gear	M3. 0X48T	1
78	K141040240	橫主軸墊圈 / Horizontal Spindle Washer		1
79	K141040250	主動螺旋傘齒輪 / Gear	M3. 0x36T	1
80	K141040260	主動螺旋齒輪墊圈 / Washer		1
81	K141040270	橫主軸 / Horizontal Spindle		1
82	K141040280	立主軸 / Vertical Spindle		1
83	K141040290	拉桿墊圈 / Draw Bar Washer		1
84	K141040300	立橫變速叉 / Horizontal / Vertical shifting shaft		1
85	K141040310	第三軸變速叉 / Third Axis Speed Change Shaft		1
86	K141040330	變速軸 / Speed Change Axis	M2. 5X24T	2
87	K141040340	變速叉軸 / Speed Change Shaft		1
88	K141040360	變速軸套 / cover		1
89	K141040370	變速軸套 / cover		2
90	K141040380	變速軸頭 / cover head		2
91	K141040390	變速把手 / Speed Change Handle		2
92	K141040410	傳動塊 / Transmission Block		4

頭部傳動 / Spindle Head Transmission

項目/No.	零件編號/Serial No.	零件名稱/Parts Name	規格/Specification	數量/Q' TY
93	K141040420	橫主軸蓋 / Horizontal Spindle Cover		1
94	K141040430	第二軸上蓋 / Second Axis Top Cover		2
95	K141040440	承油槽 / Oil Container		1
96	K141040450	第三軸上蓋 / Third Axis Top Cover		1
97	K141040460	第三軸下蓋 / Third Axis Rear Cover		1
98	K141040470	第四軸上蓋 / Forth Axis Top Cover		1
99	K141040480	立主軸軸承座 / Vertical Spindle Bearing Seat		1
100	K141040490	頭部側蓋 / Spindle Head Rear Cover		1
101	K141040500	變速固定銷 / Speed Change Fixing Pin		2
102	K141040510	第三軸軸套 / Third Axis Cover		1
103	K141040520	第五軸 / Fifth Axis		1
104	K141040530	第二軸軸套 / Second Axis Cover		1
105	K141040540	第五軸固定塊 / Fifth Axis Fixing Block		1
106	K141040550	頭部側蓋 / Spindle Head Rear Cover		1
107	K141040560	第二軸下蓋 / Second Axis Bottom Cover		1
108	K141040570	第五軸下蓋 / Fifth Axis Bottom Cover		1
109	K141040580	橫主軸軸承座 / Horizontal Spindle Bearing Seat		1
110	K141040590	主軸防油蓋 / Spindle Anti Oil Cover		1
111	K141040600	橫主軸防塵蓋 / Horizontal Spindle Anti Dust Cover		1
112	K141040610	立主軸前蓋 / Vertical Spindle Front Cover		1
113	K141040620	立主軸齒輪隔環 / Vertical Spindle Gear Spacer		1
114	K141040650	主軸變速小齒輪 / Spindle Speed Change Gear-Small	M3. 0X28T	1
115	K141040660	立銑拉桿 / Vertical Draw Bar		1

頭部傳動 / Spindle Head Transmission

項目/No.	零件編號/Serial No.	零件名稱/Parts Name	規格/Specification	數量/Q' TY
116	K141040670	橫銑拉桿 / Horizontal Draw Bar		1
117	K141040690	橫銑專用螺帽 / Horizontal Spindel Nut	M85xP2.0 左牙	2
118	K141040700	壓縮彈簧 / Compressed Spring	Ø9x50L	2
119	K141040730	立主軸迷宮環 / Vertical Spindle Oil Ring		1
120	K141040740	立主軸迷宮蓋 / Vertical Spindle Oil Seal		1
121	K141040750	馬達軸蓋 / Motor Cover		1
122	K141040780	左上下刮片 / Left Top Scrapper		2
123	K141040850	變速蓋 / Speed Change Cover		1
124	K141040860	第二軸墊塊 E / Second Axis Block E		1
125	K141040870	第一軸墊塊 / First Axis Block		1
126	K141040880	第二軸墊塊 C / Second Axis Block C		1
127	K141040890	第二軸墊塊 B / Second Axis Block B		1
128	K141040900	變速軸封套 / Speed Change Axis Cover		1
129	K141041040	立主軸墊塊 / Vertical Spindle Block		1
130	K161040010	頭部 / Spindle Head Housing		1
131	K161040021	頭部護軌右 / Spindle Head Protection Rail-Right		1
132	K161040031	頭部護軌左 / Spindle Head Protection Rail-Left		1
133	K161040041	頭部副軌 B / Spindle Head Secondary Rail B		2
134	K161040051	前後護軌 / Frotn and Back Protection Rail		1
135	K161040060	上下刮刷片-B / Top and Bottom Scrapper-B		1
136	K161040070	上下刮刷片-B / Top and Bottom Scrapper-B		1



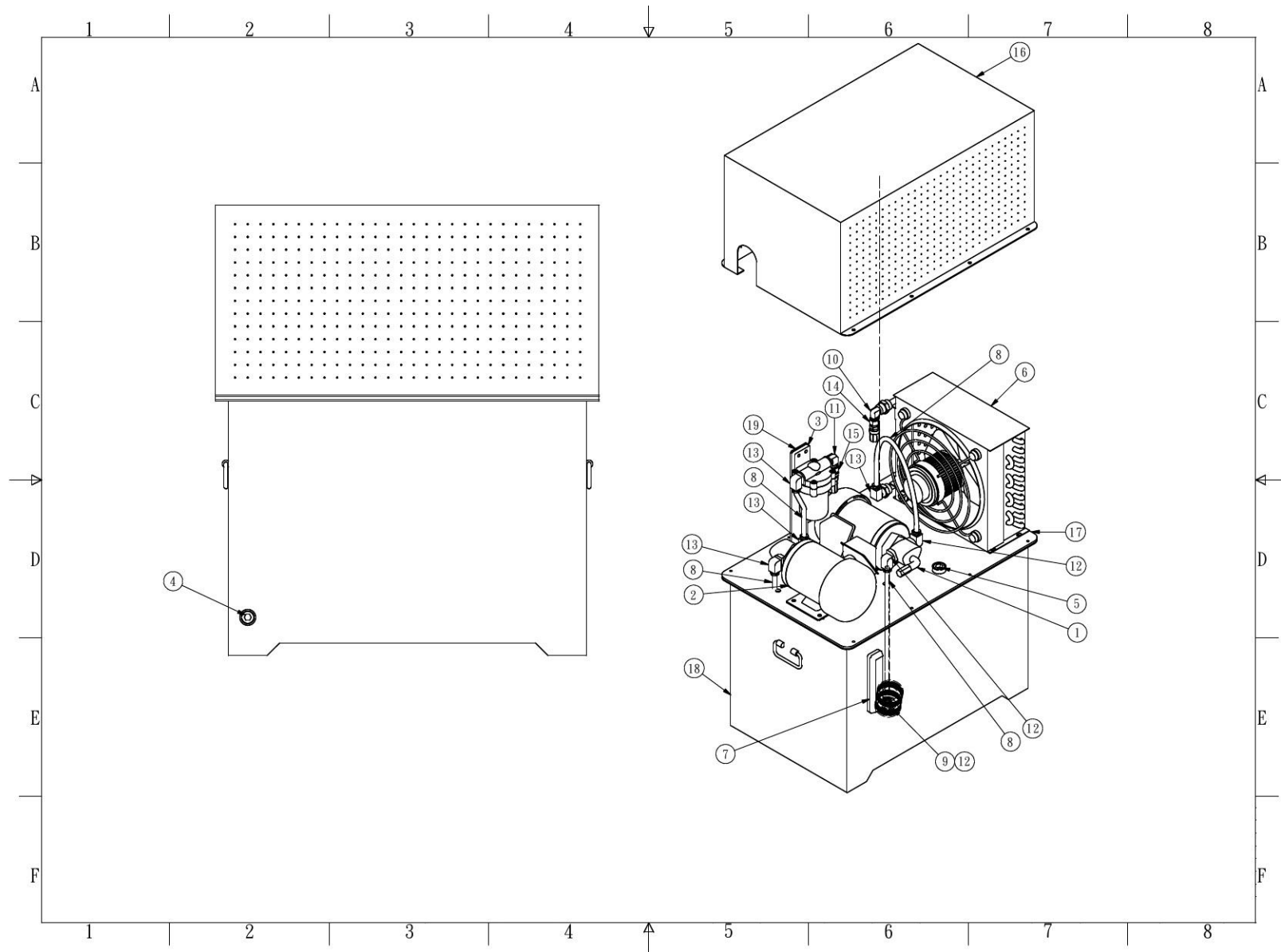
操作單元/Operation Unit

項目/No.	零件編號/Serial No.	零件名稱/Parts Name	規格/Specification	數量/Q' TY
1	A090002001	工作石英燈-HT-L81 / Working Light	12V/55W 3#~6#	1
2	A160100007	面板式電子手輪 / MPG Handle On Control Pannel	IHDW-AA-80	3
3	B000600005	針狀軸承 / Bearing	RNA4909	1
4	B210200021	操作面板 / Control Pannel	380x260 波麗	1
5	B210200023	MPG 控制銘板 / MPG Control Indicator Plate	416x148 波麗	1
6	D050102006	通風過濾網組 / Ventilation filter set	V157(157*157*29)	2
7	K131010020	操作箱把手 / Operational Box Handle		1
8	K131060010	操作箱 / Operation Box		1
9	K131060020	操作箱後蓋 / Operation Box Back Cover		1
10	K141010050	電器桿支架管 / Electrical pole Bracket Tube	直徑 95X 直徑 65X23 8L	1
11	K141010070	電器桿支架 / Electrical pole Support Shaft		1
12	K141010170	操作箱把手 / Operational Box Handle		2
13	K141010270	支架管護套 / Support Shaft Protection Tube		1
14	K141010280	支架管墊圈 / Support Shaft Washer		1
15	K141060340	電器箱 / Electric Box		1
16	K141060350	電器箱底板 / Electric Box Base		1
17	K141060430	熱交換器封板 / Heat Exchanger Base		1
18	K161010130	電器桿支架座 / Electric Pole Support Shaft		1
19	K161060040	操作桿後封板 / Operation Pole Cover		2
20	K161060410	電器桿 / Electric Pole		1

操作單元/Operation Unit

項目/No.	零件編號/Serial No.	零件名稱/Parts Name	規格/Specification	數量/Q' TY
21	K161060440	總開關封板 / Main Switch Pannel		1
22	K161060710	操作桿 / Operation Pole		1
23	K171010240	操作桿螺帽 / Operation Pole Nut		1
24	K171010250	操作箱吊環 B / Operation Pole Ring		1
25	K171060400	MPG 操作箱 / MPG Control Box		1
26	K403060400	旋臂下蓋 / Rotary arm lower cover		3

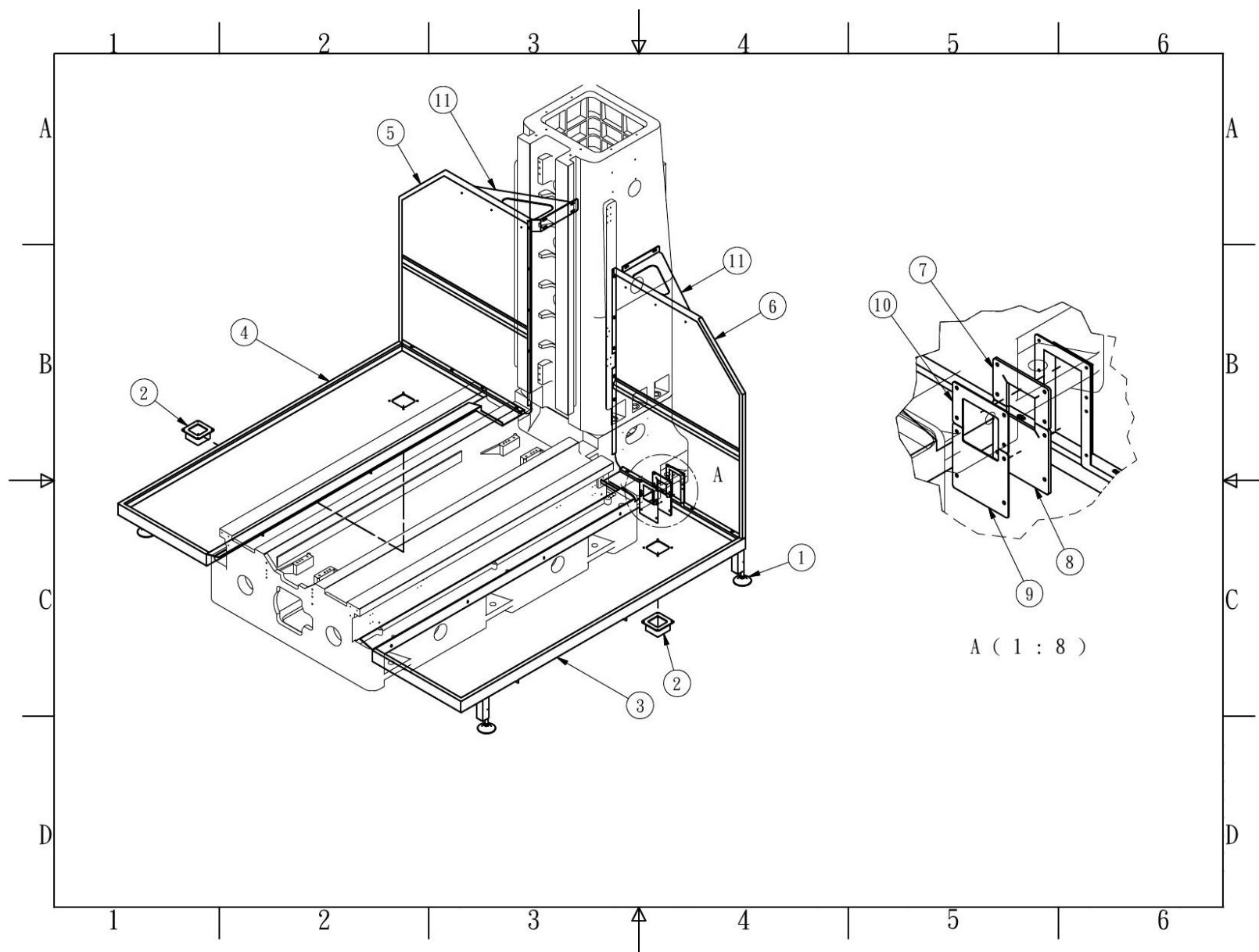
油冷單元/Oil Coolant Unit



油冷單元/Oil Coolant Unit

項目/No.	零件編號/Serial No.	零件名稱/Parts Name	規格/Specification	數量/Q' TY
1	A050301001	直結幫浦 / Pump		1
2	A050301004	直結幫浦 / Pump		1
3	A050304003	磁石濾油器 / Oil Flitter		1
4	C080001004	六角孔塞頭 / Hexagon Plug	1/2P	1
5	C080001005	六角孔塞頭 / Hexagon Plug	3/4P	1
6	D050103001	冷卻風扇 / Cooling Fan		1
7	F020000003	油面計 / Oil Indicator	"GS-5" -- 鋁製"	1
8	F030003003	銅管 / Copper Tube		4
9	F050000001	濾油網 / Oil Flitter Net	MF-02x60L	1
10	F060103004	直角接頭 / Connector	90°, 3/8" P*3/8" H	1
11	F060103006	直角接頭 / Connector	90°, 3/8" P*1/2" H	1
12	F060302007	直角接頭 / Connector	1/4PT*10MM	3
13	F060302008	直角接頭 / Connector	3/8PT*10MM	4
14	F070213006	中壓管 / Oil Tube	3/8H*4900L	1
15	F070224002	中壓管 / Oil Tube	1/2H*5300L	1
16	K141060050	油箱上蓋 / Oil Tank Top Cover	T=2mm	1
17	K141060060	油箱上蓋板 / Oil Tank Top Cover		1
18	K141060070	油箱 / Oil Tank		1
19	K141060080	濾油器支架 / Oil Flitter Support Shaft		1

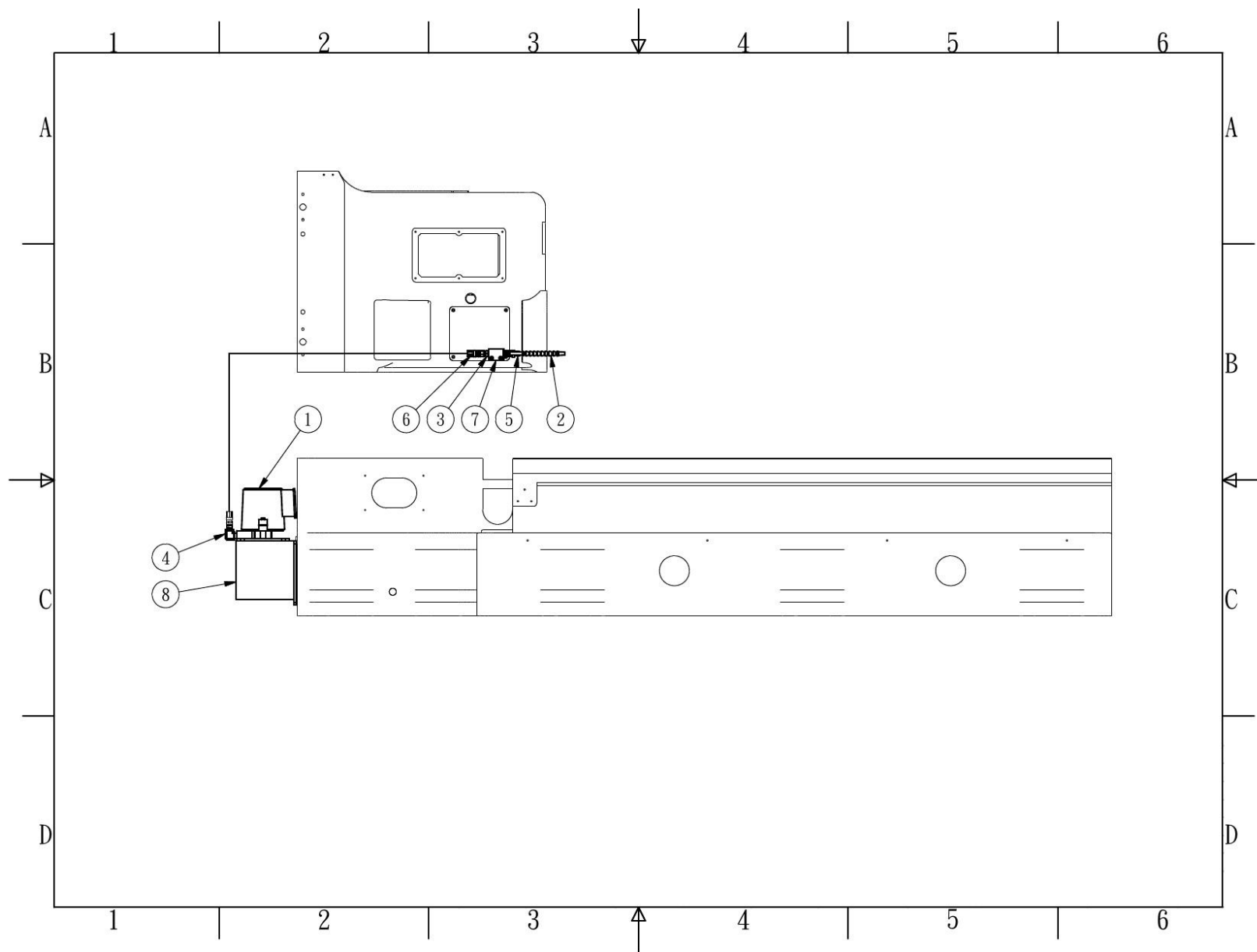
水盤+檔屑板單元 / Coolant Tray+Chip Guard Unit



水盤+檔屑板單元 / Coolant Tray+Chip Guard Unit

項目/No.	零件編號/Serial No.	零件名稱/Parts Name	規格/Specification	數量/Q' TY
1	C060003001	腳座螺絲 / Base Screw	M16*100	4
2	K161060051	水盤排水箱 / Coolant Tank		2
3	K161060210	水盤(右) / Coolant Tray (Right)		1
4	K161060220	水盤(左) / Coolant Tray (Left)		1
5	K161060230	左後擋板 / Chip Guard (Left)		1
6	K161060240	右後擋板 / Chip Guard (Left)		1
7	K161060250	線槽刮片上 / Scraper		1
8	K161060260	線槽刮片下 / Scraper		1
9	K161060270	線槽刮片下壓板 / Scraper Cover		1
10	K161060290	線槽刮片上壓板 / Scraper Cover		1
11	K161060310	遮屑板補強板 / Chip Guard Support		2

水路單元 / Coolant Unit



水路單元 / Coolant Unit

項目/No.	零件編號/Serial No.	零件名稱/Parts Name	規格/Specification	數量/Q' TY
1	A050302002	浸水泵浦 / Pump	1/4HP, 180L, 220/380V, P T1/2"	1
2	F030012004	塑膠噴水管 / Plastic Tube	圓嘴, 3/8*160L 出水口Φ6	1
3	F060003005	直接頭 / Connector	3/8" P*3/8" H	1
4	F060104001	直角接頭 / Connector	"90° , 1/2" P*3/8" H"	1
5	F070000003	球塞凡而 / Valve	藍柄 3/8(內外牙)	1
6	F070213007	中壓管 / Tube	3/8H*4700L	1
7	K141010160	油管接座 / Oil Connector		1
8	K141060160	切削液馬達座 / Cutting Fluid Motor Seat		1

地基圖 / Foundation Drawing

