

SHARP

RADIAL DRILLS

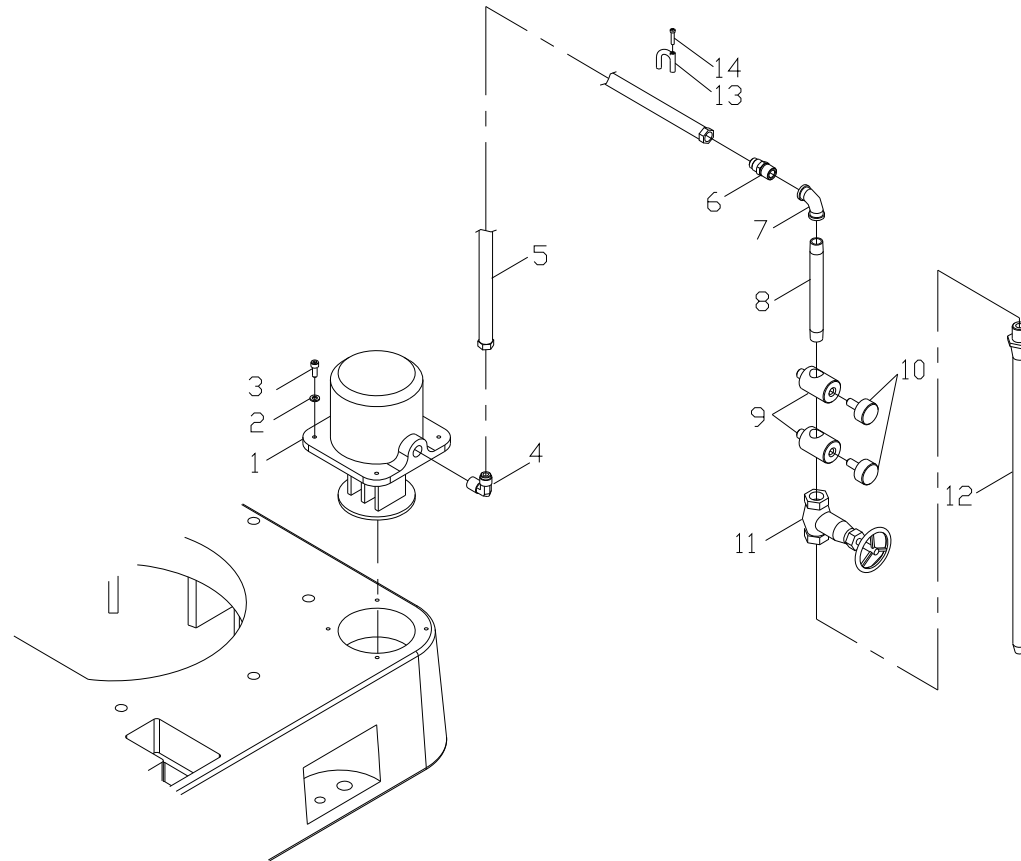
RD-1600 RD-2000 PARTS LIST



零件手冊 PART LISTS

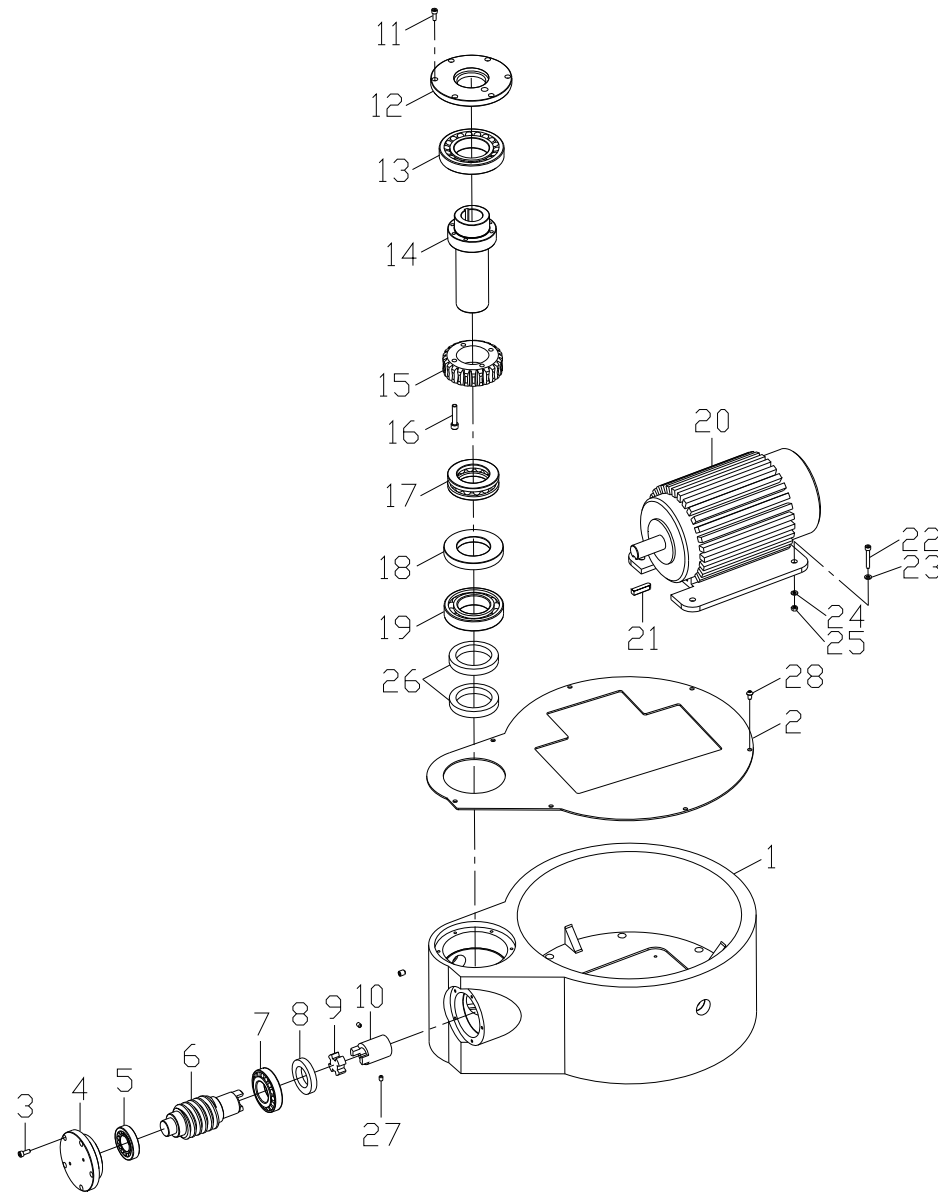
項次	項目		圖號	頁次
Index No.	ITEM		Drawing	Pages
1	冷卻系1600	Cooling device	01	1~2
2	升降機構1600	Lift series	02	3~5
3	臂柱座系1600	Column mechanism	03	6~9
4	高速齒輪箱1600	High speed gear box	04	10~15
5	齒輪箱1600	Gear box	05	16~24
6	齒箱後部1600	Rear gear box	06	25~28
7	進刀座機構1600	Feed Change Mechanism	07	29~32
8	油壓鎖緊機構1600	Hydraulic and Clamping Mechanism	08	33~38

索引 Unit NO:01
A101004:冷卻系1600 Cooling device



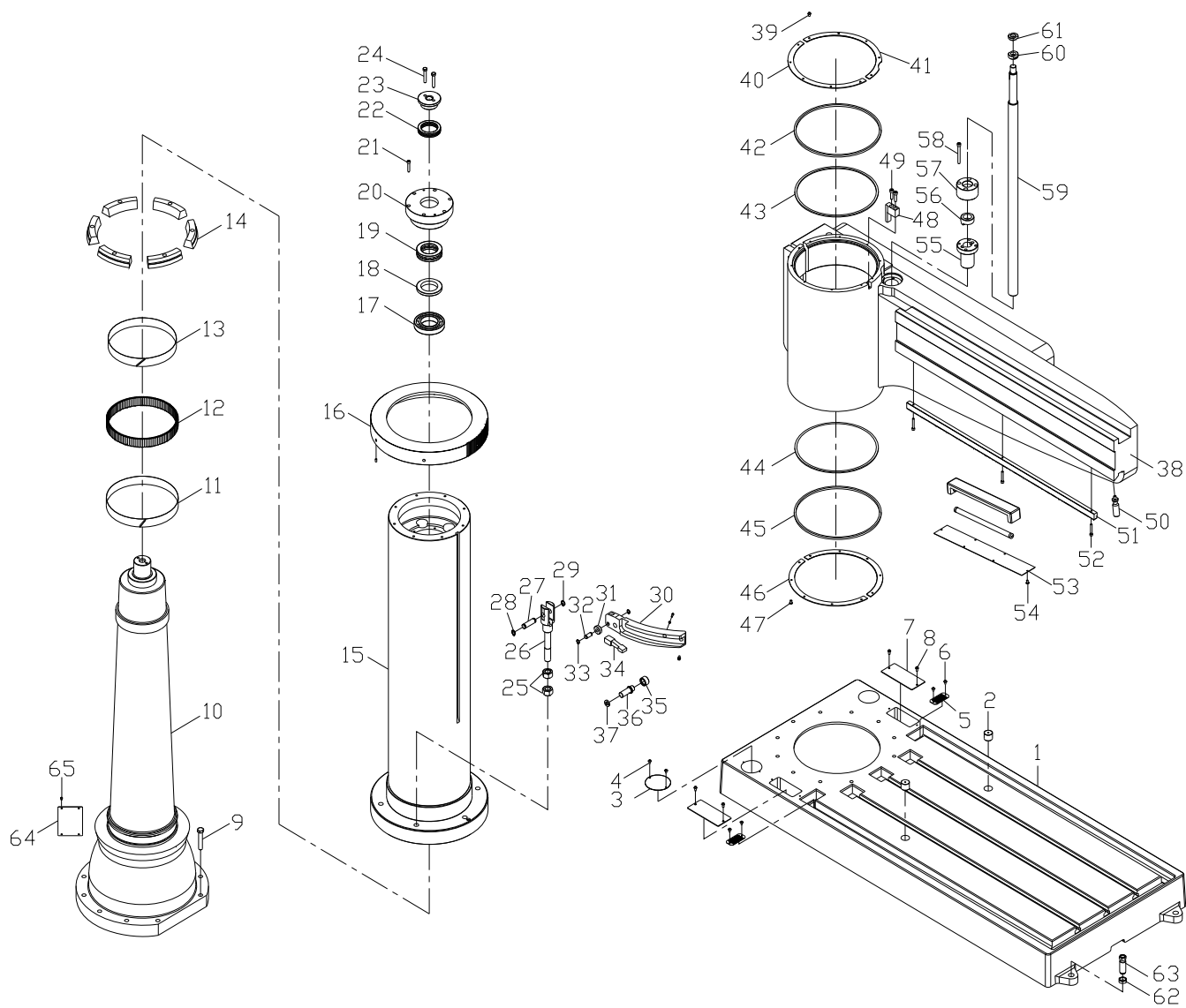
項次 Index No.	料號 Parts No.	圖號 Drawing No.	品名 Parts Name	規格 Type (Maker)	數量 Q'ty	備註 Note
1	M1210055		1/8HP抽水馬達 Deluged Motor	150L 220/440V(孔內φ22)	1	
2	M1602-M6		平墊圈 Washer	M6	4	
3	M1401-M6*16		六角承窩頭螺栓 Bolt	M6*16L	4	
4	M0602001		鑄鐵接頭 90°Elbow	PT3/8"*PS3/8"*90°	1	
5	M0506002	M0506-3/8"*192"	透明紗管 Net Plastic Pipe	PT3/8"*192"L	1	
6	M0601002		鐵接頭 Male Connector	(電)PT3/8"*PS3/8"	1	
7	M0611001		彎頭 90°Elbow	3/8"*90°(內牙)	1	
8	M0510002	M0510-3/8"*22"	立布	3/8"*22"L	1	
9	I0014	8A-OS005	油管固定軸 Tube Sleeve		2	
10	M1317006		圓形把手	M10*25L	2	
11	M0608001	M0608-3/8"	凡而 Water Switch	3/8"	1	
12	M0512001		塑膠萬向噴水管 Spraying Pipe	3/8"*450L	1	
13	M1315017		配線固定鈕 Tube Bundle	UC-5	2	
14	M1414006	M1414-3/16"*3/8"	十字有槽螺釘 Bolt	3/16"*3/8"L	2	

索引 Unit NO:02
A102004:升降系1600 Lift series



項次 Index No.	料號 Parts No.	圖號 Drawing No.	品名 Parts Name	規格 Type (Maker)	數量 Q'ty	備註 Note
1	10426	16-ED008A	外管帽蓋 Column Cover		1	
2	10431	16-ED019A	帽蓋座		1	
3	M1401-M6*16		六角承窩頭螺栓 Bolt	M6*16L	5	
4	10422	16-ED001	軸承蓋 Bearing Cover		1	
5	M0909-30206		圓錐滾子軸承 Bearing	30206	1	
6	10423	16-ED003A	蝸桿 Worm shaft		1	
7	M0909-30208		圓錐滾子軸承 Bearing	30208	1	
8	M0702037		油封 Oil Seal	TC40*65*12	1	
9	10424	16-ED005	塑膠接頭 Plastic joint		1	
10	10425	16-ED006	聯軸器 Coupling		1	
11	M1401-M6*16		六角承窩頭螺栓 Bolt	M6*16L	6	
12	10430	16-ED017	心軸蓋 Compressing Cover		1	
13	M0909-30213		圓錐滾子軸承 Bearing	30213	1	
14	10429	16-ED015	蝸輪心軸 Worm Shaft		1	
15	10428	16-ED014	蝸輪 Worm Gear		1	
16	M1401-M8*40		六角承窩頭螺栓 Bolt	M8*40L	4	
17	M0911-51212		止推滾珠軸承 Bearing	51212	1	
18	10427	16-ED011	間隔環 Spacer Ring		1	
19	M0901-6212		深槽滾珠軸承 Bearing	6212	1	
20a	M1210026		2HP臥式馬達 2HP Motor	4P 220/440V 50/60Hz	1	Only TPR1600H
20b	M1210188		3HP臥式馬達 3HP Motor	220V/440V 50HZ/60HZ	1	Only TPR2000H
21	M1308-8*35		平行鍵 Key	8mm*35L	1	
22	M1401-M6*40		六角承窩頭螺栓 Bolt	M6*40L	4	
23	M1602-M6		平墊圈 Washer	M6	4	
24	M1606-M6		彈簧墊圈2號	M6	4	

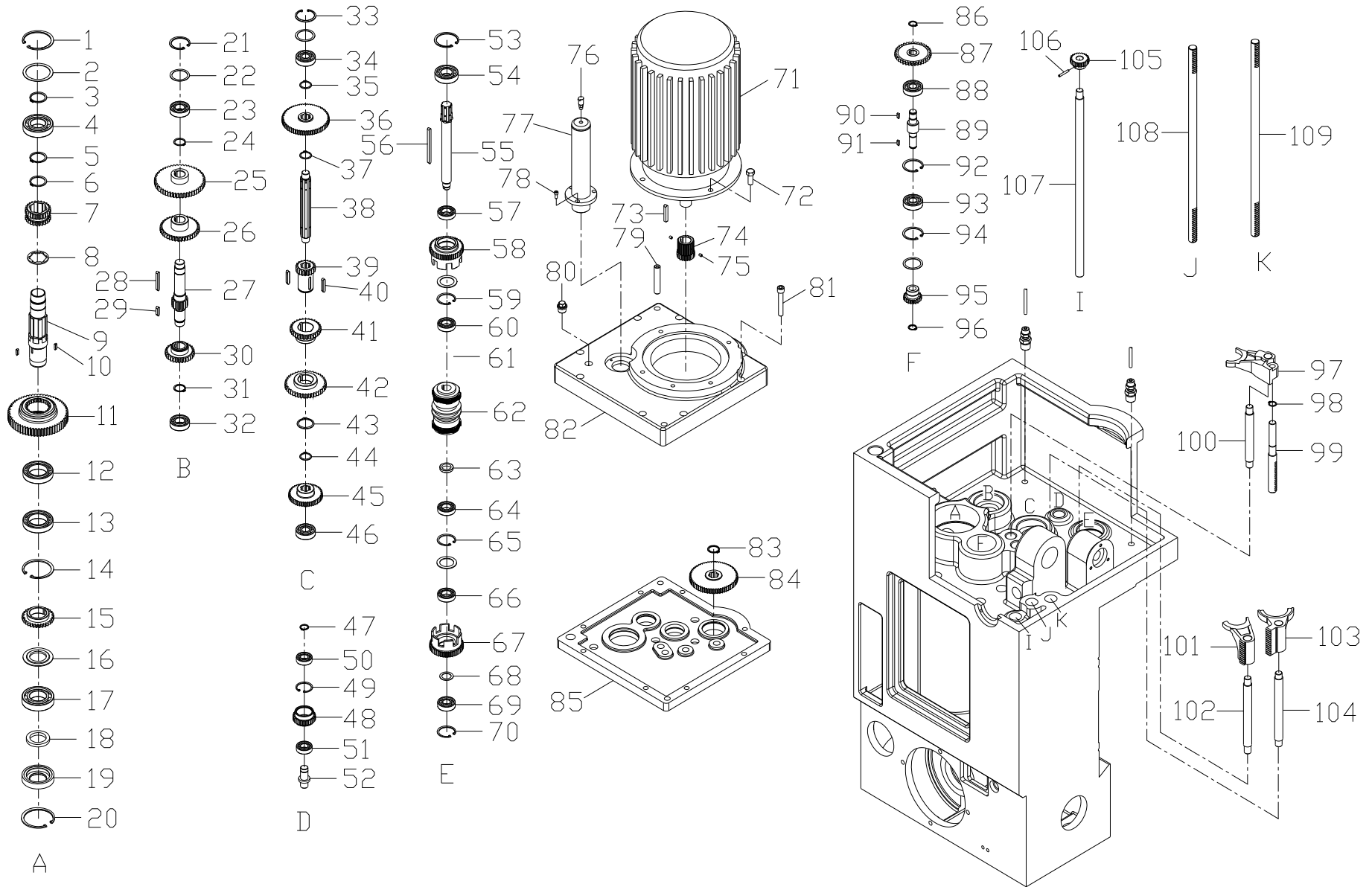
項次 Index No.	料號 Parts No.	圖號 Drawing No.	品名 Parts Name	規格 Type (Maker)	數量 Q'ty	備註 Note
25	M1501-M6		六角螺帽 Nut	M6	4	
26	M0702041		油封 Oil Seal	TC60*82*12	2	
27	M1403-M6*8		六角承窩頭固定螺栓 Bolt	M6*8L	2	
28	M1410-M6*10		半圓頭內六角螺栓 Bolt	M6*10L	7	



項次 Index No.	料號 Parts No.	圖號 Drawing No.	品名 Parts Name	規格 Type (Maker)	數量 Q'ty	備註 Note
1a	10602	16-SC001	基座 Base		1	Only TPR1600H
1b	10924		基座 Base		1	Only TPR2000H
2	10603	16-SC002	底座套筒 Cover		2	
3	10037	8A-BC035	護蓋 Cover		1	
4	M1414006	M1414-3/16"*3/8"	十字有槽螺釘 Bolt	3/16"*3/8"L	2	
5	10277	1230-BC059	濾網 Filter Screen		2	
6	M1414006	M1414-3/16"*3/8"	十字有槽螺釘 Bolt	3/16"*3/8"L	4	
7	10625	16-SC046	蓋板 Cover		2	
8	M1410-M6*12		半圓頭內六角螺栓 Bolt	M6*12L	4	
9	M1402003		六角頭螺栓 Bolt	M20*110L	11	
10	10604	16-SC004A	內柱 Internal Column		1	
11	10624	16-SC045	軸承鋼板(外) Steel Band		1	
12	10243	1230-BC004	內柱滾針 Needle		129	
13	10623	16-SC044	軸承鋼板(內) Steel Band		1	
14	10606	16-SC008	推拔環 Wedge		6	
15a	10607	16-SC009	外管 Steel Band		1	Only TPR1600H
15b	10925		外管 Steel Band		1	Only TPR2000H
16	10605	16-SC007	電鎖外環 Locking cover		1	
17	M0901-6218		深槽滾珠軸承 Bearing	6218	1	
18	10609	16-SC012	間隔環 Spacer Ring		1	
19	M0911-51218		止推滾珠軸承 Bearing	51218	1	
20	10608	16-SC010	二層座 Fixed Bearing Cover		1	
21	M1401-M10*60		六角承窩頭螺栓 Bolt	M10*60L	6	
22	M0911-51118		止推滾珠軸承 Bearing	51118	1	
23	10622	16-SC043A	軸套 Sleeve Spindle		1	

項次 Index No.	料號 Parts No.	圖號 Drawing No.	品名 Parts Name	規格 Type (Maker)	數量 Q'ty	備註 Note
24	M1402008	M1402-1/2"*3"	六角頭螺栓 Bolt	1/2"-12N*3"L	2	
25	M1501008	M1501-5/8"	六角螺帽 Nut	5/8"-11UNC	12	
26	10610	16-SC025A	月眉吊軸 Elevating shaft		6	
27	10611	16-SC026	吊軸插梢 Slip bar		6	
28	M1312-S10		扣環 Retainer	S10	6	
29	M1312-S10		扣環 Retainer	S10	6	
30	10613	16-SC028	月眉 Slip blocked		6	
31	10627	16-SC048	滾輪 Roller		6	
32	10629	16-SC050	滾輪心軸 Fixing shaft		6	
33	M1312-S9		扣環 Retainer	S9	12	
34	10612	16-SC027	吊軸墊塊 Slip bracket		6	
35	10614	16-SC029	滾輪 Roller		6	
36	10615	16-SC030	插梢 Slip Bar		6	
37	10630	16-SC051	套筒華司 Washer		6	
38a	10617	16-SC035C	臂手 Arm		1	Only TPR1600H
38b	10923		臂手 Arm		1	Only TPR2000H
39	M1410-M6*10		半圓頭內六角螺栓 Bolt	M6*10L	10	
40a	10616	16-SC033A	防塵蓋 Cover		1	Only TPR1600H
40b	10979		防塵蓋 Cover		1	Only TPR2000H
41a	10773	16-SC053	防塵蓋 Cover		1	Only TPR1600H
41b	10980		防塵蓋 Cover		1	Only TPR2000H
42	M0803014		U型防塵橡膠條 Packing	U-10-16-14	1	
43	M0809001		羊毛氈 Dust Seal	5mm	1	
44	M0809001		羊毛氈 Dust Seal	5mm	1	
45	M0803014		U型防塵橡膠條 Packing	U-10-16-14	1	

項次 Index No.	料號 Parts No.	圖號 Drawing No.	品名 Parts Name	規格 Type (Maker)	數量 Q'ty	備註 Note
46	10616	16-SC033A	防塵蓋 Cover		2	
47	M1410-M6*10		半圓頭內六角螺栓 Bolt	M6*10L	10	
48	10618	16-SC036	臂手固定鍵 Key		1	
49	M1401-M8*35		六角承窩頭螺栓 Bolt	M8*35L	2	
50	10033	8A-BC028	臂手調整手把 Handle		1	
51a	10619	16-SC038	排齒 Arm Rack		1	Only TPR1600H
51b	10977		排齒 Arm Rack		1	Only TPR2000H
52	M1401-M6*40		六角承窩頭螺栓 Bolt	M6*40L	3	
53a	10620	16-SC039	護蓋 Cover		1	Only TPR1600H
53b	10978		護蓋 Cover		1	Only TPR2000H
54	M1414006	M1414-3/16"*3/8"	十字有槽螺釘 Bolt	3/16"*3/8"L	8	
55	10416	16-CD060	角牙螺母 Brass sleeve		1	
56	10417	16-CD061	安全螺母 Safety Nut		1	
57	10418	16-CD062A	安全螺母蓋 Safe Device Cover		1	
58	M1401-M12*95		六角承窩頭螺栓 Bolt	M12*95L	4	
59a	10419	16-CD063	角牙 Gear		1	Only TPR1600H
59b	10975		角牙 Gear		1	Only TPR2000H
60	10420	16-CD064	角牙固定螺帽 Setting Nut		1	
61	10421	16-CD065	角牙固定螺帽 Setting Nut		1	
62	10788	16-SC054	螺栓 Bolt		4	
63	10789	16-SC055	螺帽 Screw nut		4	
64	10626	16-SC047	內柱電線蓋 Electric wire Cover		1	
65	M1410-M6*12		半圓頭內六角螺栓 Bolt	M6*12L	4	



項次 Index No.	料號 Parts No.	圖號 Drawing No.	品名 Parts Name	規格 Type (Maker)	數量 Q'ty	備註 Note
1	M1312-R80		扣環 Retainer	R80	1	
2	10674	16-UGB070	墊圈 Washer		1	
3	M1312-S40		扣環 Retainer	S40	1	
4	M0901-6208ZZ		深槽滾珠軸承 Bearing	6208ZZ	1	
5	M1312-S40		扣環 Retainer	S40	1	
6	M1312-S40		扣環 Retainer	S40	1	
7	10631	16-UGB003C	雙層齒輪 Gear		1	
8	10671	16-UGB067	六槽墊片 Spacer		1	
9	10632	16-UGB004A	六槽套筒 Hexagon Coller		1	
10	M1328-5*18		雙頭圓形鍵 Key	5mm*18L	2	
11	10633	16-UGB005B	齒輪 Gear		1	
12	M0901-6010Z		深槽滾珠軸承 Bearing	6010Z	1	
13	M0901-6010Z		深槽滾珠軸承 Bearing	6010Z	1	
14	M1312-R80		扣環 Retainer	R80	1	
15	10634	16-UGB008A	齒輪 Gear		1	
16	10672	16-UGB068	墊圈 Washer		1	
17	M0901-6209ZZ		深槽滾珠軸承 Bearing	6209ZZ	1	
18	M0702039		油封 Oil Seal	TC44*62*8	1	
19	10635	16-UGB010B	襯套 Ring		1	
20	M1312-R85		扣環 Retainer	R85	1	
21	M1312-R52		扣環 Retainer	R52	1	
22	10675	16-UGB071	墊圈 Washer		1	
23	M0901-6205ZZ		深槽滾珠軸承 Bearing	6205ZZ	1	
24	M1312-S28		扣環 Retainer	S28	1	
25	10636	16-UGB012	齒輪 Gear		1	

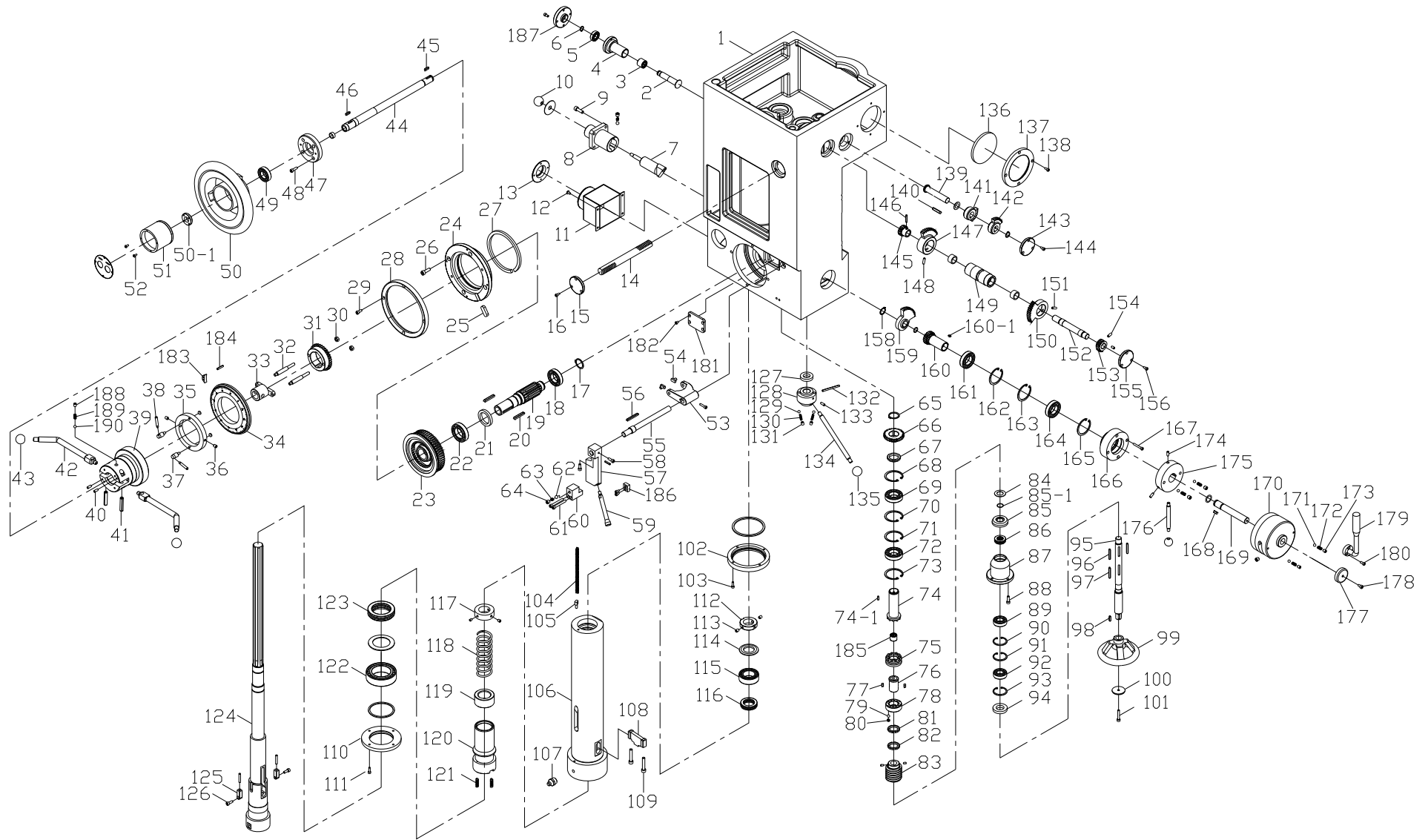
項次 Index No.	料號 Parts No.	圖號 Drawing No.	品名 Parts Name	規格 Type (Maker)	數量 Q'ty	備註 Note
26	10637	16-UGB013	齒輪 Gear		1	
27	10638	16-UGB014	齒輪軸 Gear Shaft		1	
28	M1328-7*58		雙頭圓形鍵 Key	7mm*58L	1	
29	M1328-7*26		雙頭圓形鍵 Key	7mm*26L	1	
30	10639	16-UGB015	齒輪 Gear		1	
31	M1312-S28		扣環 Retainer	S28	1	
32	M0901-6205ZZ		深槽滾珠軸承 Bearing	6205ZZ	1	
33	M1312-R52		扣環 Retainer	R52	1	
34	M0901-6304		深槽滾珠軸承 Bearing	6304	1	
35	M1312-S28		扣環 Retainer	S28	1	
36	10641	16-UGB019A	齒輪		1	
37	M1312-S28		扣環 Retainer	S28	1	
38	10640	16-UGB018B	六槽栓軸 Hexagon Shaft		1	
39	10642	16-UGB020	齒輪 Gear		1	
40	M1328-7*40		雙頭圓形鍵 Key	7mm*40L	2	
41	10643	16-UGB021	齒輪 Gear		1	
42	10644	16-UGB022	齒輪 Gear		1	
43	M1312-S40		扣環 Retainer	S40	1	
44	M1312-S28		扣環 Retainer	S28	1	
45	10645	16-UGB023	齒輪 Gear		1	
46	M0901-6304		深槽滾珠軸承 Bearing	6304	1	
47	M1312-S20		扣環 Retainer	S20	1	
48	10646	16-UGB025	齒輪 Gear		1	
49	M1312-R42		扣環 Retainer	R42	1	
50	M0901-6004Z		深槽滾珠軸承 Bearing	6004Z	1	

項次 Index No.	料號 Parts No.	圖號 Drawing No.	品名 Parts Name	規格 Type (Maker)	數量 Q'ty	備註 Note
51	M0901-6004Z		深槽滾珠軸承 Bearing	6004Z	1	
52	10647	16-UGB028	心軸 Shaft		1	
53	M1312-R62		扣環 Retainer	R62	1	
54	M0901-6206ZZ		深槽滾珠軸承 Bearing	6206ZZ	1	
55	10648	16-UGB030B	傳動軸 Pinion shaft		1	
56	M1328-7*110		雙頭圓形鍵 Key	7mm*110L	1	
57	M0901-6005ZZ		深槽滾珠軸承 Bearing	6005ZZ	1	
58	10649	16-UGB031	離合器齒 Clutch Upper Gear		1	
59	M1312-R47		扣環 Retainer	R47	1	
60	M0901-6005ZZ		深槽滾珠軸承 Bearing	6005ZZ	1	
61	10650	16-UGB034A	墊圈 Washer		1	
62	M1209001		離合器 Clutch	OD-257	1	
63	10650	16-UGB034A	墊圈 Washer		1	
64	M0901-6005ZZ		深槽滾珠軸承 Bearing	6005ZZ	1	
65	M1312-R47		扣環 Retainer	R47	1	
66	M0901-6005ZZ		深槽滾珠軸承 Bearing	6005ZZ	1	
67	10649	16-UGB031	離合器齒 Clutch Upper Gear		1	
68	10651	16-UGB039	墊圈 Washer		1	
69	M0901-6204ZZ		深槽滾珠軸承 Bearing	6204ZZ	1	
70	M1312-R47		扣環 Retainer	R47	1	
71	M1210047		7.5HP立式馬達 7-1/2HP Motor	4P 220/440V 50/60Hz	1	
72	M1402006	M1402-1/2"*1-1/4"	六角頭螺栓 Bolt	1/2 *1-1/4"L	4	
73	M1308-8*50		平行鍵 Key	8mm*50L	1	
74	10653	16-UGB043A	馬達齒輪 Motor Gear		1	
75	M1403-M6*6		六角承窩頭固定螺栓 Bolt	M6*6L	2	

項次 Index No.	料號 Parts No.	圖號 Drawing No.	品名 Parts Name	規格 Type (Maker)	數量 Q'ty	備註 Note
76	M1323018		油杯 Cup Oil	PT1/8" * 3/4"	1	
77	10655	16-UGB046	防塵蓋 Cover		1	
78	M1401-M6*14		六角承窩頭螺栓 Bolt	M6*14L	3	
79	10673	16-UGB069A	直銷 Pin		2	
80	M0606002		塑膠塞頭 Plug	3/4"*NF16牙	2	
81	M1401-M12*75		六角承窩頭螺栓 Bolt	M12*75L	8	
82	10654	16-UGB044	齒箱上蓋加工圖 Upper Cover Of Gear Box		1	
83	M1312-S28		扣環 Retainer	S28	1	
84	10656	16-UGB047	螺旋齒輪 Gear		1	
85	10657	16-UGB048	齒箱中蓋 Middle Cover Of Gear Box		1	
86	M1312-S19		扣環 Retainer	S19	1	
87	10660	16-UGB052	齒輪 Gear		1	
88	M0901-6304		深槽滾珠軸承 Bearing	6304	1	
89	10661	16-UGB055	心軸 Shaft		1	
90	M1328-5*16		雙頭圓形鍵 Key	5mm*16L	1	
91	M1328-5*16		雙頭圓形鍵 Key	5mm*16L	1	
92	M1312-R52		扣環 Retainer	R52	1	
93	M0901-6304		深槽滾珠軸承 Bearing	6304	1	
94	M1312-R52		扣環 Retainer	R52	1	
95	10662	16-UGB057	齒輪 Gear		1	
96	M1312-S19		扣環 Retainer	S19	1	
97	10663	16-UGB058	變速傳動塊 Swing Seat, 3 Steps Speed-Change		1	
98	M1312-S18		扣環 Retainer	S18	1	
99	10664	16-UGB059	排齒心軸 Rack		1	
100	10665	16-UGB060A	心軸 Shaft		1	

項次 Index No.	料號 Parts No.	圖號 Drawing No.	品名 Parts Name	規格 Type (Maker)	數量 Q'ty	備註 Note
101	10658	16-UGB049	變速傳動塊 Swing Seat, 3 Steps Speed-Change		1	
102	10659	16-UGB050A	心軸 Shaft		1	
103	10666	16-UGB061	變速傳動塊 Swing Seat, 3 Steps Speed-Change		1	
104	10667	16-UGB062A	心軸 Shaft		1	
105	10668	16-UGB063	齒輪 Gear		1	
106	M1305-5*35		彈簧銷 Spring Pin	5mm*35L	1	
107	10669	16-UGB064A	心軸 Shaft		1	
108	10670	16-UGB065A	排齒心軸 Rack		1	
109	10670	16-UGB065A	排齒心軸 Rack		1	

索引 Unit NO:05
A104005:齒輪箱1600 Gear box



項次 Index No.	料號 Parts No.	圖號 Drawing No.	品名 Parts Name	規格 Type (Maker)	數量 Q'ty	備註 Note
1	10487	16-LGB001B	齒輪箱 Gear Box		1	
2	10488	16-LGB002	心軸 Shaft		1	
3	M0905-TAF172520		滾針軸承 Bearing	TAF172520	1	
4	10489	16-LGB004	套筒 Rod		1	
5	M0901-6002ZZ		深槽滾珠軸承 Bearing	6002ZZ	1	
6	M1312-S15		扣環 Retainer	S15	1	
7	10490	16-LGB006	退刀棒 Eject Bar		1	
8	10491	16-LGB007	退刀座 Frame For Eject Bar		1	
9	M1401-M8*25		六角承窩頭螺栓 Bolt	M8*25L	4	
10	M1317012		圓珠	3/8"(外徑 ϕ 35)	1	
11	10492	16-LGB010	十字開關座 Frame For Cross Switch		1	
12	M1425001		十字扁圓頂螺釘附平墊圈 Bolt	3/16"*3/8"L	4	
13	10687	16-LGB011	十字開關蓋 Cover		1	
14	10493	16-LGB013	雙向排齒 Rack		1	
15	10494	16-LGB014	軸蓋 Cover		3	
16	M1401-M5*10		六角承窩頭螺栓 Bolt	M5*10L	3	
17	M1312-S30		扣環 Retainer	S30	1	
18	M0901-6006ZZ		深槽滾珠軸承 Bearing	6006ZZ	1	
19	10495	16-LGB015	齒輪心軸 Gear Shaft		1	
20	M1328-6*45		雙頭圓形鍵 Key	6mm*45L	2	
21	M0702036		油封 Oil Seal	TC40*55*8	1	
22	M0901-6007ZZ		深槽滾珠軸承 Bearing	6007ZZ	1	
23	10496	16-LGB017A	進刀蝸輪 Worm Gear		1	
24	10497	16-LGB019B	進刀滑環 Setting Ring For Dial		1	
25	10689	16-LGB119A	平行鍵 key		1	

項次 Index No.	料號 Parts No.	圖號 Drawing No.	品名 Parts Name	規格 Type (Maker)	數量 Q'ty	備註 Note
26	M1401-M8*25		六角承窩頭螺栓 Bolt	M8*25L	4	
27	M1323022		萬口帶	7mm*430L	1	
28	10505	16-LGB027	刻度盤壓環		1	
29	M1401-M6*14		六角承窩頭螺栓 Bolt	M6*14L	4	
30	M1501-M8		六角螺帽 Nut	M8	2	
31	10498	16-LGB020A	齒輪 Gear		1	
32	10499	16-LGB021	固定螺絲 Bolt		2	
33	10500	16-LGB022	套筒 Rod		1	
34	10504	16-LGB026A	刻度盤 Dial		1	
35	10507	16-LGB029	控制座螺母 Set Nut		1	
36	M1401-M8*10		六角承窩頭螺栓	M8*10L	2	
37	10508	16-LGB030	小把頭 Set Nut		2	
38	10509	16-LGB031	小把手 Handle Lever		2	
39	10501	16-LGB023B	控制座 Clutch Housing		1	
40	M1403-M6*16		六角承窩頭固定螺栓 Bolt	M6*16L	2	
41	M1305-5*50		彈簧銷 Spring Pin	5mm*50L	2	
42	10502	16-LGB024	控制座把手 Feed Handle		2	
43	M1317007		圓珠	1/2" (外徑 ϕ 38)	2	
44	10510	16-LGB032B	線管(大) Shaft For Hand Wheel		1	
45	M1308-5*18		平行鍵 Key	5mm*18L	1	
46	M1308-5*18		平行鍵 Key	5mm*18L	1	
47	10511	16-LGB033	控制座蓋 Bearing Case		1	
48	M1401-M6*20		六角承窩頭螺栓 Bolt	M6*20L	4	
49	M0901-6005ZZ		深槽滾珠軸承 Bearing	6005ZZ	1	
50	10512	16-LGB035A	移動手輪 Hand Wheel		1	

項次 Index No.	料號 Parts No.	圖號 Drawing No.	品名 Parts Name	規格 Type (Maker)	數量 Q'ty	備註 Note
50-1	10513	16-LGB036	螺帽 Screw nut		1	
51	10514	16-LGB037A	電氣開關座 Case For Push Button Switch		1	
52	M1410-M4*10		半圓頭內六角螺栓 Bolt	M4*10L	2	
53	10517	16-LGB042	撥仔 Swing Seat		1	
54	10518	16-LGB043	撥仔固定塊 Swing Key		2	
55	10515	16-LGB039	固定軸 Shaft For Swing Lever		1	
56	M1308-5*50		平行鍵 Key	5mm*50L	1	
57	10516	16-LGB040B	進刀撥桿 Swing Lever Seat		1	
58	M1401-M6*16		六角承窩頭螺栓 Bolt	M6*16L	2	
59	10439	16-FG012A	撥桿把手 Swing Lever		1	
60	10519	16-LGB044A	固定塊 Fixed Flange		1	
61	M1401-M6*50		六角承窩頭螺栓 Bolt	M6*50L	2	
62	M1323026		鋼珠 Ball Steel	3/8"	1	
63	10680	8A-GB124	壓縮彈簧 Spring		1	
64	M1401-M10*10		六角承窩頭螺栓 Bolt	M10*10L	1	
65	M1312-S30		扣環 Retainer	S30	1	
66	10520	16-LGB045	齒輪 Gear		1	
67	10521	16-LGB046	間隔環 Spacer Ring		1	
68	M1312-R55		扣環 Retainer	R55	1	
69	M0901-6006ZZ		深槽滾珠軸承 Bearing	6006ZZ	1	
70	M1312-R55		扣環 Retainer	R55	1	
71	M1312-R55		扣環 Retainer	R55	1	
72	M0901-6006ZZ		深槽滾珠軸承 Bearing	6006ZZ	1	
73	M1312-R55		扣環 Retainer	R55	1	
74	10522	16-LGB049A	離合器軸 Clutch		1	

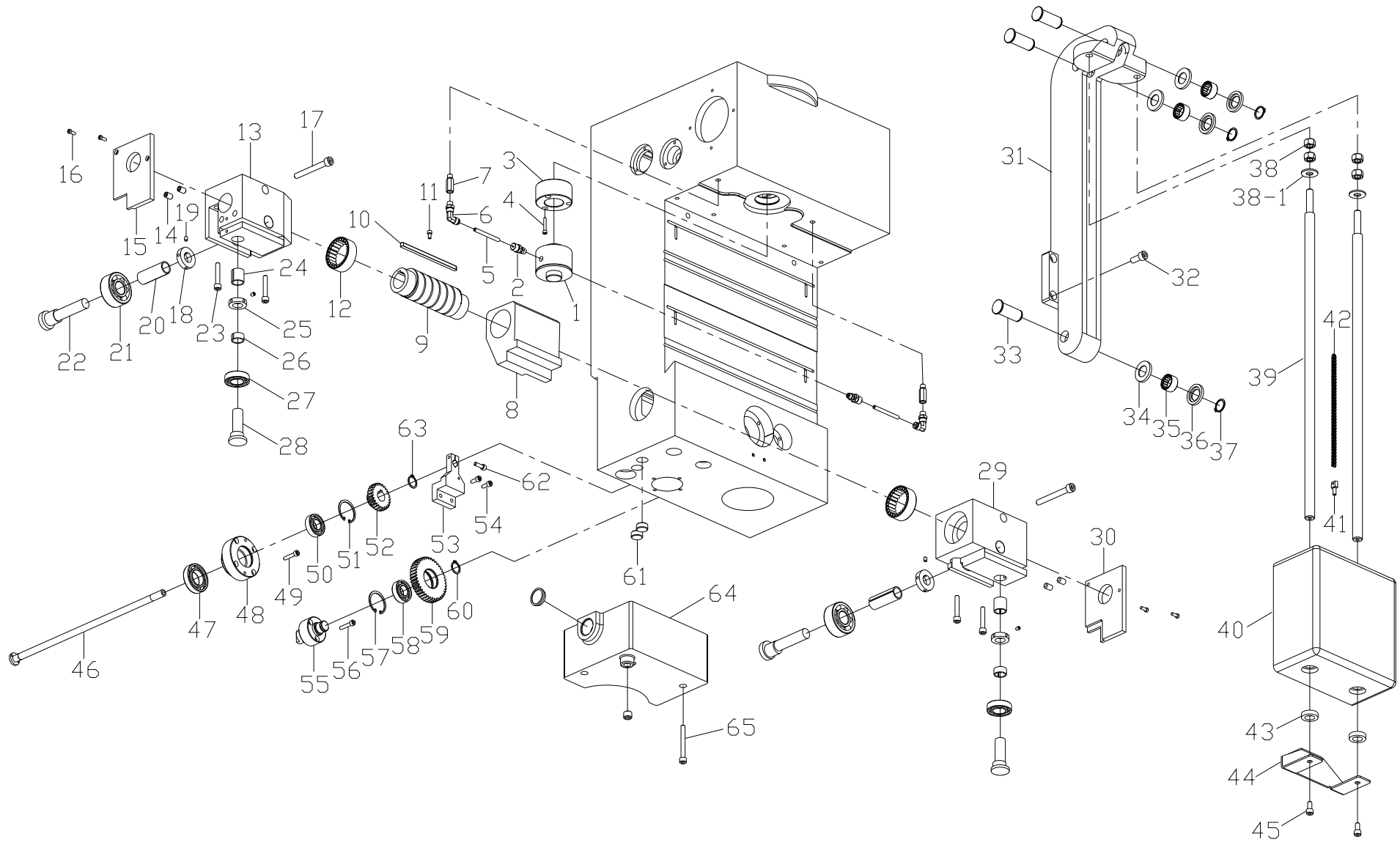
項次 Index No.	料號 Parts No.	圖號 Drawing No.	品名 Parts Name	規格 Type (Maker)	數量 Q'ty	備註 Note
74-1	M1328-5*14		雙頭圓形鍵 Key	5mm*14L	1	
75	10524	16-LGB051	離合器座 Clutch Upper Gear		1	
76	10523	16-LGB050A	螺紋軸 Clutch Collar		1	
77	M1328-5*12		雙頭圓形鍵 Key	5mm*12L	2	
78	10525	16-LGB052	離合器連接座 Buffer Sleeve		1	
79	M1323025		鋼珠 Ball Steel	5/16"	10	
80	10682	16-LGB116	壓縮彈簧 Spring		10	
81	10526	16-LGB053	螺紋軸螺帽 Setting Nut		1	
82	10526	16-LGB053	螺紋軸螺帽 Setting Nut		1	
83	10527	16-LGB054	進刀蝸桿 Worm		1	
84	10566	16-LGB109	墊片 Washer		1	
85	10528	16-LGB055	墊圈 Washer		1	
85-1	M0801-P18		O形環 "O" Ring	P18	1	
86	M0911-51104		止推滾珠軸承 Bearing	51104	1	
87	10529	16-LGB057	進刀固定座 Bearing Case		1	
88	M1401-M6*20		六角承窩頭螺栓 Bolt	M6*20L	4	
89	M0901-6004ZZ		深槽滾珠軸承 Bearing	6004ZZ	1	
90	M1312-R42		扣環 Retainer	R42	1	
91	M1312-R42		扣環 Retainer	R42	1	
92	M0901-6004ZZ		深槽滾珠軸承 Bearing	6004ZZ	1	
93	M1312-R42		扣環 Retainer	R42	1	
94	M0702035		油封 Oil Seal	TC30*45*8	1	
95	10530	16-LGB060	進刀傳動軸 Shaft		1	
96	M1328-5*38		雙頭圓形鍵 Key	5mm*38L	2	
97	M1328-5*40		雙頭圓形鍵 Key	5mm*40L	1	

項次 Index No.	料號 Parts No.	圖號 Drawing No.	品名 Parts Name	規格 Type (Maker)	數量 Q'ty	備註 Note
98	M1328-5*18		雙頭圓形鍵 Key	5mm*18L	1	
99	10531	16-LGB061	進刀手輪 Manual Feed Hand wheel		1	
100	10123	8A-GB116	齒箱銅鍵華司 Washer		1	
101	M1401-M6*35		六角承窩頭螺栓 Bolt	M6*35L	1	
102	10541	16-LGB080	排齒固定蓋 Dust Proof Cover		1	
103	M1401-M5*16		六角承窩頭螺栓 Bolt	M5*16L	4	
104	M1204008		鏈條 Chain	3/8"*154目雙頭閉	1	
105	10352	1230-GB107B	吊鏈螺栓 Special Bolt		1	
106	10534	16-LGB068D	排齒管 Quill		1	
107	M1321002	M1321-PT1/8"	黃油嘴 Grease Nipple	PT1/8"	1	
108	10535	16-LGB069	退刀塊 Rammer For Ejection		1	
109	M1401-M8*45		六角承窩頭螺栓 Bolt	M8*45L	2	
110	10567	16-LGB113	主軸防塵蓋 Cover		1	
111	M1401-M5*16		六角承窩頭螺栓 Bolt	M5*16L	4	
112	10532	16-LGB062A	主軸螺帽 Setting Nut		1	
113	M1403-M8*10		六角承窩頭固定螺栓 Bolt	M8*10L	2	
114	10533	16-LGB063	墊圈 Washer		1	
115	M0904-NN3007P5		圓柱滾子軸承 Bearing	NN3007P5	1	
116	M0911-51107		止推滾珠軸承 Bearing	51107	1	
117	10536	16-LGB071	螺帽 Screw nut		1	
118	10537	16-LGB072	壓縮彈簧 Spring		1	
119	10538	16-LGB073	墊圈 Washer		1	
120	10539	16-LGB074	退刀套筒 Eject Collar		1	
121	10683	16-LGB117A	壓縮彈簧 Spring		2	
122	M0904-NN3012KP5		圓柱滾子軸承 Bearing	NN3012KP5	1	

項次 Index No.	料號 Parts No.	圖號 Drawing No.	品名 Parts Name	規格 Type (Maker)	數量 Q'ty	備註 Note
123	M0911-51112		止推滾珠軸承 Bearing	51112	1	
124	10542	16-LGB081B	主軸 Spindle		1	
125	10543	16-LGB082	退刀鍵 Spring Guide Pin		2	
126	M1401-M6*16		六角承窩頭螺栓 Bolt	M6*16L	2	
127	M0702032		油封 Oil Seal	TC22*40*8	1	
128	10544	16-LGB083C	HL把頭 H. L. Setting Seat		1	
129	M1323025		鋼珠 Ball Steel	5/16"	2	
130	10684	16-LGB118	壓縮彈簧 Spring		2	
131	M1403-M8*10		六角承窩頭固定螺栓 Bolt	M8*10L	2	
132	M1305-5*60		彈簧銷 Spring Pin	5mm*60L	1	
133	M1403-M6*16		六角承窩頭固定螺栓 Bolt	M6*16L	1	
134	10913 A		手柄		1	
135	M1317012		圓珠	3/8"(外徑φ35)	2	
136	10546	16-LGB085	油鏡 Oil Sight Glass		1	
137	10547	16-LGB086A	油鏡蓋 Cover For Oil Sight Glass		1	
138	M1401-M5*12		六角承窩頭螺栓 Bolt	M5*12L	4	
139	10548	16-LGB087	變速心軸 Shaft		1	
140	M1308-6*36		平行鍵 Key	6mm*36L	1	
141	10549	16-LGB088	齒撥 Swing Gear		1	
142	10550	16-LGB089	齒撥 Swing Gear		1	
143	10494	16-LGB014	軸蓋 Cover		1	
144	M1401-M5*10		六角承窩頭螺栓 Bolt	M5*10L	3	
145	10551	16-LGB091	齒輪 Gear		1	
146	M1305-5*25		彈簧銷 Spring Pin	5mm*25L	1	
147	10555	16-LGB095	齒撥 Swing Gear		1	

項次 Index No.	料號 Parts No.	圖號 Drawing No.	品名 Parts Name	規格 Type (Maker)	數量 Q'ty	備註 Note
148	M1403-M6*10		六角承窩頭固定螺栓 Bolt	M6*10L	1	
149	10554	16-LGB094	固定軸套 Bushing Seat		1	
150	10552	16-LGB092	齒撥 Swing Gear		1	
151	M1403-M6*10		六角承窩頭固定螺栓 Bolt	M6*10L	1	
152	10553	16-LGB093A	變速心軸 Shaft		1	
153	10556	16-LGB096	齒撥 Swing Gear		1	
154	M1403-M6*10		六角承窩頭固定螺栓 Bolt	M6*10L	1	
155	10494	16-LGB014	軸蓋 Cover		1	
156	M1401-M5*10		六角承窩頭螺栓 Bolt	M5*10L	3	
158	M1312-S20		扣環 Retainer	S20	1	
159	10557	16-LGB098	齒撥 Swing Gear		1	
160	10558	16-LGB099A	齒輪軸套 Gear Pipe		1	
160-1	M1308-5*10		平行鍵 Key	5mm*10L	1	
161	M0901-6006ZZ		深槽滾珠軸承 Bearing	6006ZZ	1	
162	M1312-R55		扣環 Retainer	R55	1	
163	M1312-R55		扣環 Retainer	R55	1	
164	M0901-6006ZZ		深槽滾珠軸承 Bearing	6006ZZ	1	
165	M1312-R55		扣環 Retainer	R55	1	
166	10559	16-LGB100	1-2速固定座 Bearing Case		1	
167	M1401-M5*35		六角承窩頭螺栓 Bolt	M5*35L	4	
168	M1308-6*15		平行鍵 Key	6mm*15L	1	
169	10561	16-LGB104	變速心軸 Shaft		1	
170	10562	16-LGB105	變速座 Cover		1	
171	M1323025		鋼珠 Ball Steel	5/16"	2	
172	10680	8A-GB124	壓縮彈簧 Spring		2	

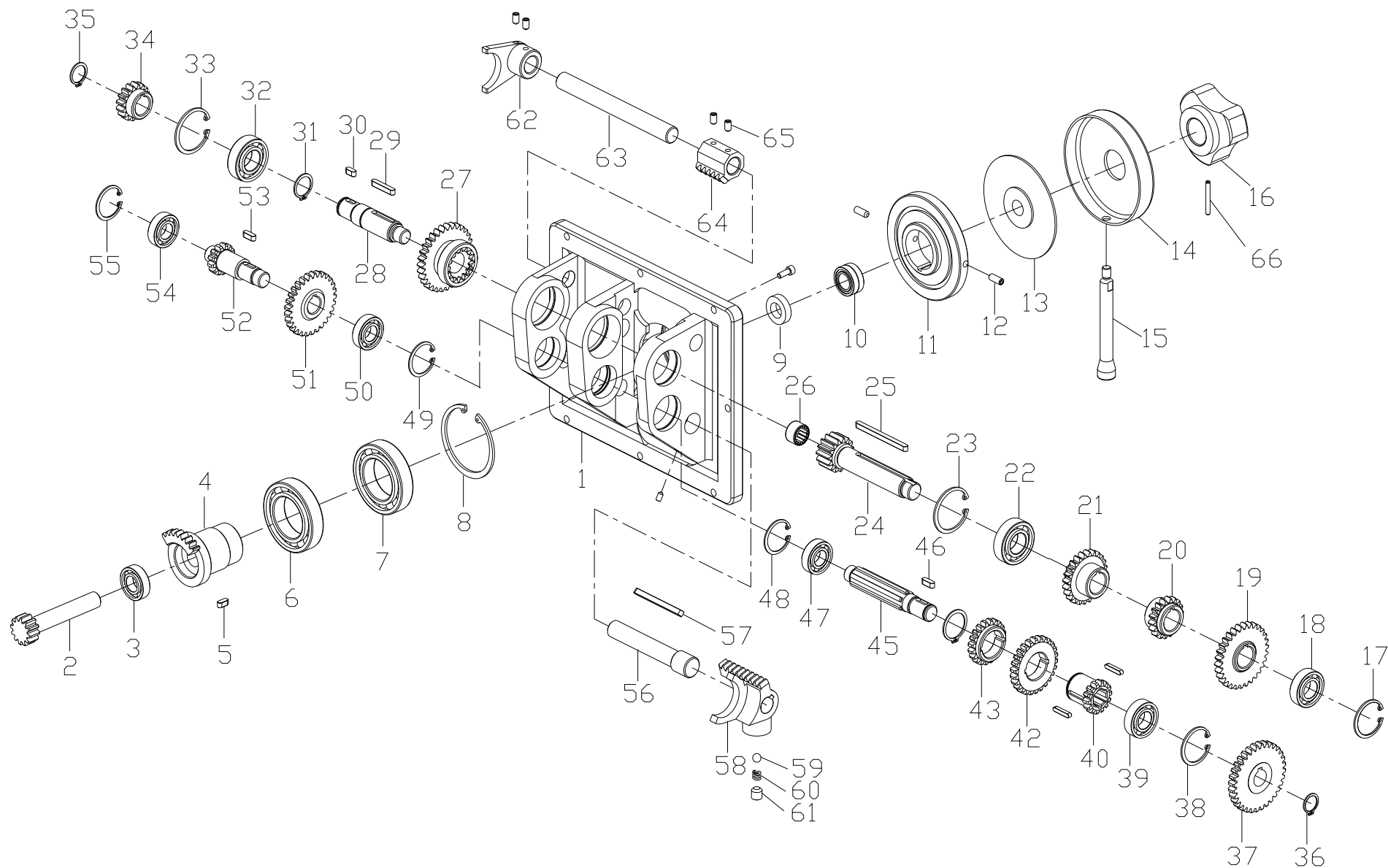
項次 Index No.	料號 Parts No.	圖號 Drawing No.	品名 Parts Name	規格 Type (Maker)	數量 Q'ty	備註 Note
173	M1403-M10*10		六角承窩頭固定螺栓 Bolt	M10*10L	2	
174	M1403-M6*16		六角承窩頭固定螺栓 Bolt	M6*16L	2	
175	10560	16-LGB103	1-2變速座 2 Steps Speed-Change Wheel		1	
176	10323	1230-GB032A	變速把手 Three Step Speed Change Lever		1	
177	10564	16-LGB107	變速座蓋 Cover		1	
178	M1409-M6*10		內六角埋頭螺栓 Bolt	M6*10L	1	
179	10563	16-LGB106	變速座把手 Change-Lever		1	
180	M1401-M5*12		六角承窩頭螺栓 Bolt	M5*12L	3	
181	10565	16-LGB108	護蓋 Cover		1	
182	M1425001		十字扁圓頂螺釘附平墊圈 Bolt	3/16"*3/8"L	4	
183	10503	16-LGB025A	制動塊 Swing Key		1	
184	M1305-5*20		彈簧銷 Spring Pin	5mm*20L	2	
185	M0905-TAF182620		滾針軸承 Bearing	TAF182620	1	
186	10029	8A-BC020	固定塊 Fixed Flange		1	
187	10688	16-LGB112	壓蓋 cover		1	
188	M1403001		六角承窩頭固定螺栓 Bolt	7/16"*3/8"L	1	
189	10680	8A-GB124	壓縮彈簧 Spring		1	
190	M1323026		鋼珠 Ball Steel	3/8"	1	



項次 Index No.	料號 Parts No.	圖號 Drawing No.	品名 Parts Name	規格 Type (Maker)	數量 Q'ty	備註 Note
1	M0305001		正逆轉潤滑邦 Oil Feed Pump	AM2	1	
2	M0203001		銅接頭 Male Stud Elbow Fitting	PT1/4"*1/4"H	2	
3	10575	16-RGB003	邦浦座 Seat For Oil Pump		1	
4	M1401-M6*40		六角承窩頭螺栓 Bolt	M6*40L	3	
5	M0511003	M0511-1/4"*100	尼龍管 Nylon Pipe	1/4"*100L	2	
6	M0203003		銅接頭 Male Stud Elbow Fitting	PT1/8"*1/4"H*90°	2	
7	10785	16-RGB043	銅接頭 Straight Joint		2	
8	10576	16-RGB005	齒箱固定座 Cam Shaft Sleeve		1	
9	10577	16-RGB006A	齒箱偏心軸 Eccentric Shaft		1	
10	M1328-7*150		雙頭圓形鍵 Key	7mm*150L	1	
11	M1401-M5*10		六角承窩頭螺栓 Bolt	M5*10L	3	
12	M0905-RNA4908		滾針軸承 Bearing	RNA4908	2	
13	10586	16-RGB019	90°座 Braring Bracket		1	
14	M1403-M10*16		六角承窩頭固定螺栓 Bolt	M10*16L	4	
15	10587	16-RGB021	鋁蓋(右) Aluminum Plate		1	
16	M1414001	M1414-3/16"*1/2"	十字有槽螺釘 Bolt	3/16"*1/2"L	4	
17	M1401-M10*85		六角承窩頭螺栓 Bolt	M10*85L	2	
18	10579	16-RGB010	90°華司 Adjusting Washer		2	
19	M1403-M6*8		六角承窩頭固定螺栓 Bolt	M6*8L	4	
20	10580	16-RGB011	偏心套筒 Eccentric Bushing		2	
21	M0903-2305		自動對位滾珠軸承 Bearing	2305	2	
22	10581	16-RGB012	偏心軸(長) Eccentric Shaft		2	
23	M1401-M8*45		六角承窩頭螺栓 Bolt	M8*45L	4	
24	10584	16-RGB015	偏心套筒 Eccentric Bushing		2	
25	10583	16-RGB014	90°華司 Adjusting Washer		2	

項次 Index No.	料號 Parts No.	圖號 Drawing No.	品名 Parts Name	規格 Type (Maker)	數量 Q'ty	備註 Note
26	10585	16-RGB018	偏心套筒 Eccentric Bushing		2	
27	M0901-6005ZZ		深槽滾珠軸承 Bearing	6005ZZ	2	
28	10582	16-RGB013	偏心軸(短) Eccentric Shaft		2	
29	10578	16-RGB009	90°座 Braring Bracket		1	
30	10599	16-RGB040	鋁蓋 Aluminium Plate		1	
31	10588	16-RGB022	鏈條架 Eccentric Shaft		1	
32	M1401-M10*25		六角承窩頭螺栓 Bolt	M10*25L	4	
33	10589	16-RGB023	鏈條架心軸 Shaft		3	
34	10590	16-RGB024	墊圈 Washer		3	
35	M0905-TA223016Z		滾針軸承 Bearing	TA223016Z	3	
36	10590	16-RGB024	墊圈 Washer		3	
37	M1312-S22		扣環 Retainer	S22	3	
38	M1501003	M1501-1/2"	六角螺帽 Nut	1/2"	4	
38-1	M1602036	M1602-1/2"	平整圈 Washer	1/2"	2	
39	10591	16-RGB028	吊軸 Leading Bar		2	
40	10592	16-RGB029	重錘 Cast iron block		1	
41	10352	1230-GB107B	吊鏈螺栓 Special Bolt		1	
42	M1204008		鏈條 Chain	3/8"*154目雙頭閉	1	
43	M0702031		油封 Oil Seal	TC19*32*8	2	
44	10600	16-RGB041	重錘導桿固定塊 Block		1	
45	M1401-M8*16		六角承窩頭螺栓 Bolt	M8*16L	2	
46	10597	16-RGB038A	線管 Pipe		1	
47	M0901-6006ZZ		深槽滾珠軸承 Bearing	6006ZZ	1	
48	10595	16-RGB035	壓環 Thrust Block		1	
49	M1401-M6*30		六角承窩頭螺栓 Bolt	M6*30L	4	

項次 Index No.	料號 Parts No.	圖號 Drawing No.	品名 Parts Name	規格 Type (Maker)	數量 Q'ty	備註 Note
50	M0901-6004Z		深槽滾珠軸承 Bearing	6004Z	1	
51	M1312-R42		扣環 Retainer	R42	1	
52	10596	16-RGB037	齒輪 Gear		1	
53	10598	16-RGB039B	線管固定片 Support		1	
54	M1401-M6*16		六角承窩頭螺栓 Bolt	M6*16L	2	
55	10593	16-RGB031	固定軸 Shaft For Swing Lever		1	
56	M1401-M6*30		六角承窩頭螺栓 Bolt	M6*30L	3	
57	M1312-R42		扣環 Retainer	R42	1	
58	M0901-6004Z		深槽滾珠軸承 Bearing	6004Z	1	
59	10594	16-RGB033	齒輪 Gear		1	
60	M1312-S20		扣環 Retainer	S20	1	
61	10959		擋塊		2	
62	M1401-M6*20		六角承窩頭螺栓 Bolt	M6*20L	1	
63	M1312-S20		扣環 Retainer	S20	1	
64	10874	16-LGB114	油箱		1	
65	M1401-M8*100		六角承窩頭螺栓 Bolt	M8*100L	3	

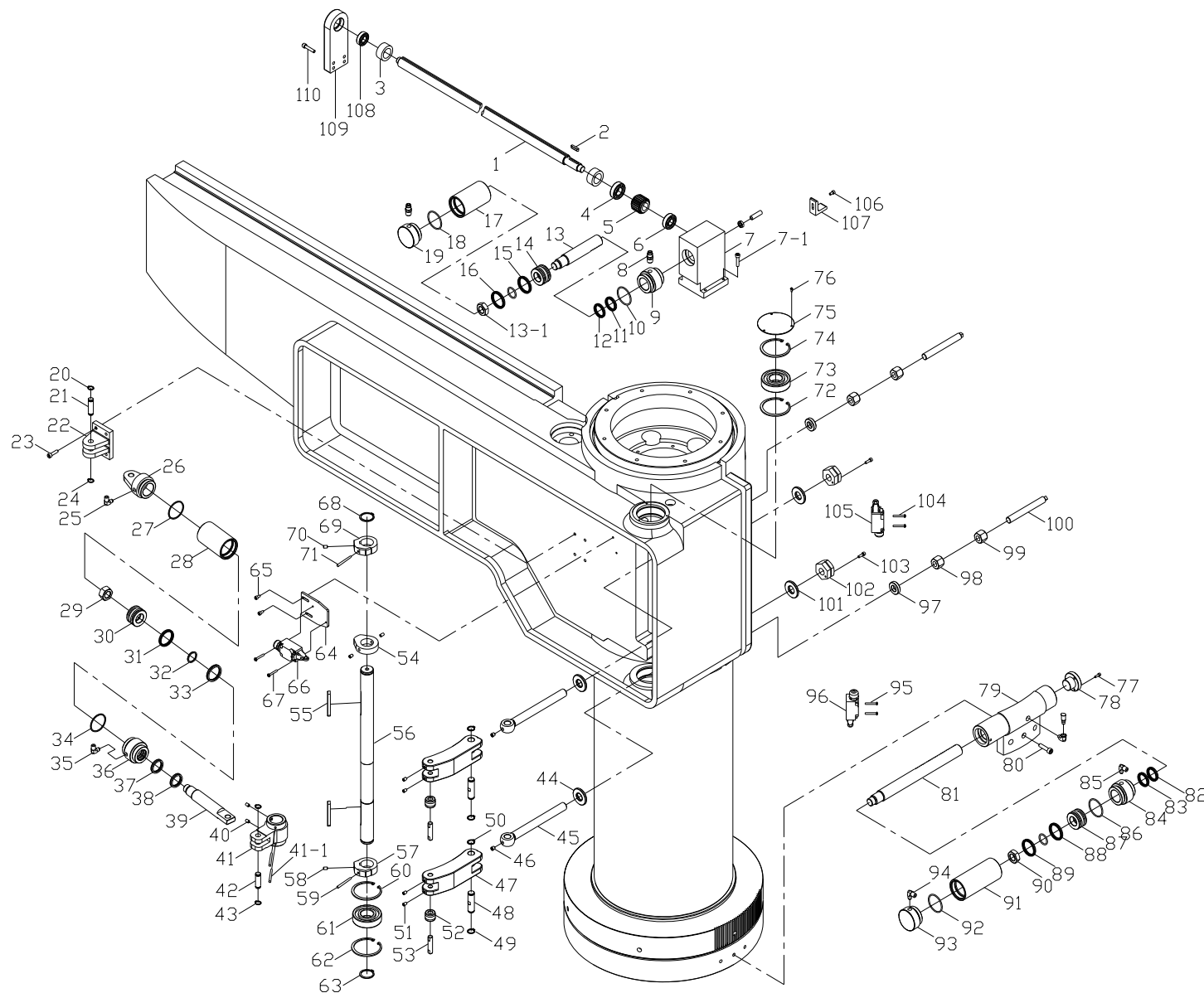


項次 Index No.	料號 Parts No.	圖號 Drawing No.	品名 Parts Name	規格 Type (Maker)	數量 Q'ty	備註 Note
1	10432	16-FG001	五段變速板 Gear Box Front Cover		1	
2	10433	16-FG002	齒輪軸 Gear Shaft		1	
3	M0901-6002ZZ		深槽滾珠軸承 Bearing	6002ZZ	1	
4	10434	16-FG004	變速齒軸套 Gear		1	
5	M1328-5*12		雙頭圓形鍵 Key	5mm*12L	1	
6	M0901-6008ZZ		深槽滾珠軸承 Bearing	6008ZZ	1	
7	M0901-6008ZZ		深槽滾珠軸承 Bearing	6008ZZ	1	
8	M1312-R68		扣環 Retainer	R68	1	
9	M0702029		油封 Oil Seal	TC15*27*7	1	
10	M0905-NA4902		滾針軸承 Bearing	NA4902	1	
11	10435	16-FG006	固定蓋 Gear Shifter lever		1	
12	M1403-M6*16		六角承窩頭固定螺栓 Bolt	M6*16L	2	
13	10436	16-FG007	銘牌指示板 Dial Seat		1	
14	10437	16-FG009	變速座 Cover		1	
15	10439	16-FG012A	撥桿把手 Swing Lever		1	
16	10686	16-FG010	變速把頭 H. L. Clutch Shaft		1	
17	M1312-R35		扣環 Retainer	R35	1	
18	M0901-6003ZZ		深槽滾珠軸承 Bearing	6003ZZ	1	
19	10444	16-FG018	齒輪 Gear		1	
20	10445	16-FG019	齒輪 Gear		1	
21	10446	16-FG020	齒輪 Gear		1	
22	M0901-6004ZZ		深槽滾珠軸承 Bearing	6004ZZ	1	
23	M1312-R42		扣環 Retainer	R42	1	
24	10447	16-FG022	齒輪軸 Gear Shaft		1	
25	M1328-5*70		雙頭圓形鍵 Key	5mm*70L	1	

項次 Index No.	料號 Parts No.	圖號 Drawing No.	品名 Parts Name	規格 Type (Maker)	數量 Q'ty	備註 Note
26	M0905-TLA1412Z		滾針軸承 Bearing	TLA1412Z	1	
27	10448	16-FG023	齒輪 Gear		1	
28	10449	16-FG024	心軸 Shaft		1	
29	M1328-5*30		雙頭圓形鍵 Key	5mm*30L	1	
30	M1328-5*12		雙頭圓形鍵 Key	5mm*12L	1	
31	M1312-S20		扣環 Retainer	S20	1	
32	M0901-6004ZZ		深槽滾珠軸承 Bearing	6004ZZ	1	
33	M1312-R42		扣環 Retainer	R42	1	
34	10450	16-FG026	齒輪 Gear		1	
35	M1312-S18		扣環 Retainer	S18	1	
36	M1312-S16		扣環 Retainer	S16	1	
37	10457	16-FG036	齒輪 Gear		1	
38	M1312-R35		扣環 Retainer	R35	1	
39	M0901-6003ZZ		深槽滾珠軸承 Bearing	6003ZZ	1	
40	10452	16-FG029	齒輪 Gear		1	
41	M1328-4*12		雙頭圓形鍵 Key	4mm*4mm*12L	2	
42	10453	16-FG030-1	齒輪 Gear		1	
43	10454	16-FG030-2	齒輪 Gear		1	
44	M1312-S26		扣環 Retainer	S26	1	
45	10451	16-FG028	六栓槽心軸 Hexagon Shaft		1	
46	M1328-5*14		雙頭圓形鍵 Key	5mm*14L	1	
47	M0901-6002ZZ		深槽滾珠軸承 Bearing	6002ZZ	1	
48	M1312-R32		扣環 Retainer	R32	1	
49	M1312-R32		扣環 Retainer	R32	1	
50	M0901-6002ZZ		深槽滾珠軸承 Bearing	6002ZZ	1	
51	10455	16-FG033	齒輪 Gear		1	
52	10456	16-FG034A	齒輪軸 Gear Shaft		1	

A106003:進刀座機構1600 Feed Change Mechanism

項次 Index No.	料號 Parts No.	圖號 Drawing No.	品名 Parts Name	規格 Type (Maker)	數量 Q'ty	備註 Note
53	M1328-5*14		雙頭圓形鍵 Key	5mm*14L	1	
54	M0901-6002ZZ		深槽滾珠軸承 Bearing	6002ZZ	1	
55	M1312-R32		扣環 Retainer	R32	1	
56	10442	16-FG015	撥齒心軸 Shaft		1	
57	M1328-5*65		雙頭圓形鍵 Key	5mm*65L	1	
58	10443	16-FG016	銅撥 Gear Shifter lever		1	
59	M1323025		鋼珠 Ball Steel	5/16"	1	
60	10680	8A-GB124	壓縮彈簧 Spring		1	
61	M1403-M10*10		六角承窩頭固定螺栓 Bolt	M10*10L	1	
62	10441	16-FG014	撥仔 Swing Seat		1	
63	10438	16-FG011	撥齒心軸 Shaft		1	
64	10440	16-FG013	進刀座撥齒 Swing Rack		1	
65	M1403-M6*10		六角承窩頭固定螺栓 Bolt	M6*10L	4	
66	M1305-5*45		彈簧銷 Spring Pin	5mm*45L	1	



A107003:油壓鎖緊機構1600 Hydraulic and Clamping Mechanism

項次 Index No.	料號 Parts No.	圖號 Drawing No.	品名 Parts Name	規格 Type (Maker)	數量 Q'ty	備註 Note
1a	10458	16-HC001	圓桿 Shaft		1	Only TPR1600H
1b	10976		圓桿 Shaft		1	Only TPR2000H
2	M1328-7*30		雙頭圓形鍵 Key	7mm*30L	1	
3	10459	16-HC002	套筒 Rod		2	
4	M0901-6205ZZ		深槽滾珠軸承 Bearing	6205ZZ	1	
5	10460	16-HC004	油壓傳動齒輪 Gear		1	
6	M0901-6204ZZ		深槽滾珠軸承 Bearing	6204ZZ	1	
7	10462	16-HC008	油壓傳動座 Cylinder Rest		1	
7-1	M1401-M8*35		六角承窩頭螺栓 Bolt	M8*35L	4	
8	M0601002		鐵接頭 Male Connector	(電)PT3/8"*PS3/8"	2	
9	10461	16-HC006A	油壓缸接頭		1	
10	M0801-G55		O形環 "O" Ring	G55	1	
11	M0803015		U形迫緊 Packing	UHS35	1	
12	M0803015		U形迫緊 Packing	UHS35	1	
13	10466	16-HC013	齒箱鎖緊心軸 Rod		1	
13-1	M1501-M24		六角螺帽 Nut	M24	1	
14	10465	16-HC012	活塞 Piston		1	
15	M0803012		U形迫緊 Oil Seal	UHS45A	1	
16	M0803012		U形迫緊 Oil Seal	UHS45A	1	
17	10464	16-HC011B	油壓缸本體 Cylinder, Arm Clamping		1	
18	M0801-G55		O形環 "O" Ring	G55	1	
19	10463	16-HC010B	油壓缸蓋		1	
20	M1312-S16		扣環 Retainer	S16	1	
21	10484	16-HC043	拉臂栓軸 Pin		1	
22	10467	16-HC014	拉座 Cylinder Rest		1	

A107003:油壓鎖緊機構1600 Hydraulic and Clamping Mechanism

項次 Index No.	料號 Parts No.	圖號 Drawing No.	品名 Parts Name	規格 Type (Maker)	數量 Q'ty	備註 Note
23	M1401-M8*30		六角承窩頭螺栓 Bolt	M8*30L	4	
24	M1312-S16		扣環 Retainer	S16	1	
25	M0602003		鑄鐵接頭 90°Elbow	PS3/8"*PT1/4"*90°	1	
26	10468	16-HC016B	油壓缸拉板 Joint		1	
27	M0801-G55		O形環 "O" Ring	G55	1	
28	10464	16-HC011B	油壓缸本體 Cylinder, Arm Clamping		1	
29	M1501-M24		六角螺帽 Nut	M24	1	
30	10465	16-HC012	活塞 Piston		1	
31	M0803012		U形迫緊 Oil Seal	UHS45A	1	
32	M0801-P30		O形環 "O" Ring	P30	3	
33	M0803012		U形迫緊 Oil Seal	UHS45A	1	
34	M0801-G55		O形環 "O" Ring	G55	1	
35	M0602003		鑄鐵接頭 90°Elbow	PS3/8"*PT1/4"*90°	1	
36	10461	16-HC006A	油壓缸接頭		1	
37	M0803015		U形迫緊 Packing	UHS35	1	
38	M0803015		U形迫緊 Packing	UHS35	1	
39	10469	16-HC019A	臂手鎖緊心軸 Rod		1	
40	M1403-M8*10		六角承窩頭固定螺栓 Bolt	M8*10L	2	
41	10908	16-HC055	搖臂 Rocker Arm		1	
41-1	M1304-4*64		推拔銷 Taper Pin	#4*64L	2	
42	10480	16-HC039	直銷 Pin		1	
43	M1312-S16		扣環 Retainer	S16	2	
44	10903	16-HC050	墊片 Washer		2	
45	10907	16-HC054	拉桿 Clamping Bolt		2	
46	M1403-M10*10		六角承窩頭固定螺栓 Bolt	M10*10L	2	

A107003:油壓鎖緊機構1600 Hydraulic and Clamping Mechanism

項次 Index No.	料號 Parts No.	圖號 Drawing No.	品名 Parts Name	規格 Type (Maker)	數量 Q'ty	備註 Note
47	10900	16-HC047	制動塊 Swing Key		2	
48	10901	16-HC048	銷		2	
49	M1312-S20		扣環 Retainer	S20	2	
50	M1312-S20		扣環 Retainer	S20	2	
51	M1403-M8*8		六角承窩頭固定螺栓 Bolt	M8*8L	4	
52	10906	16-HC053	滾輪 Roller		2	
53	10902	16-HC049	銷		2	
54	10911	16-HC058	DOG		1	
55	M1328-12*90		雙頭圓形鍵 Key	12mm*8mm*90L	2	
56	10909	16-HC056	旋轉軸 Revolving Spindle		1	
57	10904	16-HC051	凸輪 Cam		1	
58	M1403-M8*12		六角承窩頭固定螺栓 Bolt	M8*12L	1	
59	M1304-4*64		推拔銷 Taper Pin	#4*64L	1	
60	M1312-R90		扣環 Retainer	R90	1	
61	M0901-6308ZZ		深槽滾珠軸承 Bearing	6308ZZ	1	
62	M1312-R90		扣環 Retainer	R90	1	
63	M1312-S40		扣環 Retainer	S40	1	
64	10197	11-BC033A	微動開關座 Mounting Plate		1	
65	M1401-M6*12		六角承窩頭螺栓 Bolt	M6*12L	2	
66	E0901010		微動開關	WL-D2	1	
67	M1414-M5*35		十字有槽螺釘 Bolt	M5*35L	2	
68	M1312-S40		扣環 Retainer	S40	1	
69	10904	16-HC051	凸輪 Cam		1	
70	M1403-M8*12		六角承窩頭固定螺栓 Bolt	M8*12L	1	
71	M1304-4*64		推拔銷 Taper Pin	#4*64L	1	

A107003:油壓鎖緊機構1600 Hydraulic and Clamping Mechanism

項次 Index No.	料號 Parts No.	圖號 Drawing No.	品名 Parts Name	規格 Type (Maker)	數量 Q'ty	備註 Note
72	M1312-R90		扣環 Retainer	R90	1	
73	M0901-6308ZZ		深槽滾珠軸承 Bearing	6308ZZ	1	
74	M1312-R90		扣環 Retainer	R90	1	
75	10910	16-HC057	護蓋 Cover		1	
76	M1410-M4*10		半圓頭內六角螺栓 Bolt	M4*10L	3	
77	M1401-M5*16		六角承窩頭螺栓 Bolt	M5*16L	3	
78	10475	16-HC027	油壓鎖座蓋 Plug		1	
79	10476	16-HC028	油壓鎖座 Cylinder Rest		1	
80	M1401-M10*40		六角承窩頭螺栓 Bolt	M10*40L	3	
81	10477	16-HC030	大柱鎖緊心軸 Rod		1	
82	M0803015		U形迫緊 Packing	UHS35	1	
83	M0803015		U形迫緊 Packing	UHS35	1	
84	10461	16-HC006A	油壓缸接頭		1	
85	M0602003		鑄鐵接頭 90°Elbow	PS3/8"*PT1/4"*90°	1	
86	M0801-G55		O形環 "O" Ring	G55	1	
87	10465	16-HC012	活塞 Piston		1	
88	M0803012		U形迫緊 Oil Seal	UHS45A	1	
89	M0803012		U形迫緊 Oil Seal	UHS45A	1	
90	M1501-M24		六角螺帽 Nut	M24	1	
91	10478	16-HC034A	油壓缸本體 Cylinder, Arm Clamping		1	
92	M0801-G55		O形環 "O" Ring	G55	1	
93	10463	16-HC010B	油壓缸蓋		1	
94	M0602003		鑄鐵接頭 90°Elbow	PS3/8"*PT1/4"*90°	1	
95	M1414-M5*35		十字有槽螺釘 Bolt	M5*35L	2	
96	E0901013		微動開關	WL-D	1	

A107003:油壓鎖緊機構1600 Hydraulic and Clamping Mechanism

項次 Index No.	料號 Parts No.	圖號 Drawing No.	品名 Parts Name	規格 Type (Maker)	數量 Q'ty	備註 Note
97	10485	16-HC045	墊圈 Washer		2	
98	10486	16-HC046	螺帽 Screw nut		2	
99	10486	16-HC046	螺帽 Screw nut		2	
100	10483	16-HC042A	調整螺絲 Bolt		2	
101	M1602035		平墊圈 Washer	d25*D44*4t	2	
102	10905	16-HC052	鎖緊螺帽 Lock Nut		2	
103	M1401-M6*20		六角承窩頭螺栓 Bolt	M6*20L	2	
104	M1414-M5*35		十字有槽螺釘 Bolt	M5*35L	2	
105	E0901010		微動開關	WL-D2	1	
106	10479	16-HC038	微動開關座 Mounting Plate		1	
107	M1401-M6*12		六角承窩頭螺栓 Bolt	M6*12L	1	
108	M0901-6004ZZ		深槽滾珠軸承 Bearing	6004ZZ	1	
109	10298	1230-EC031A	圓桿固定座 Block		1	
110	M1401-M8*40		六角承窩頭螺栓 Bolt	M8*40L	4	