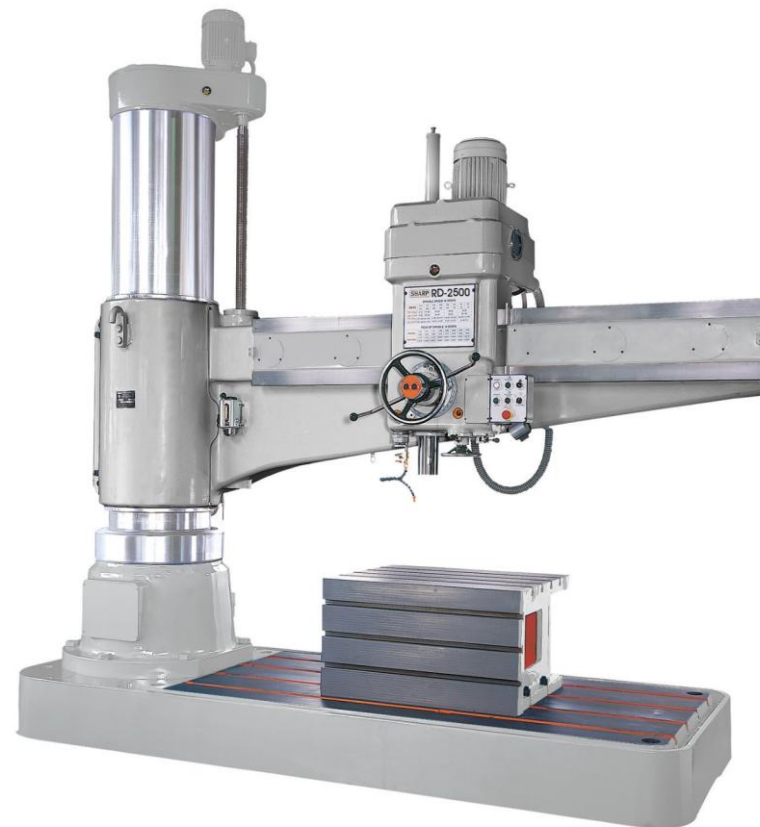


# SHARP

## RADIAL DRILLS

### RD-2500 PARTS LIST

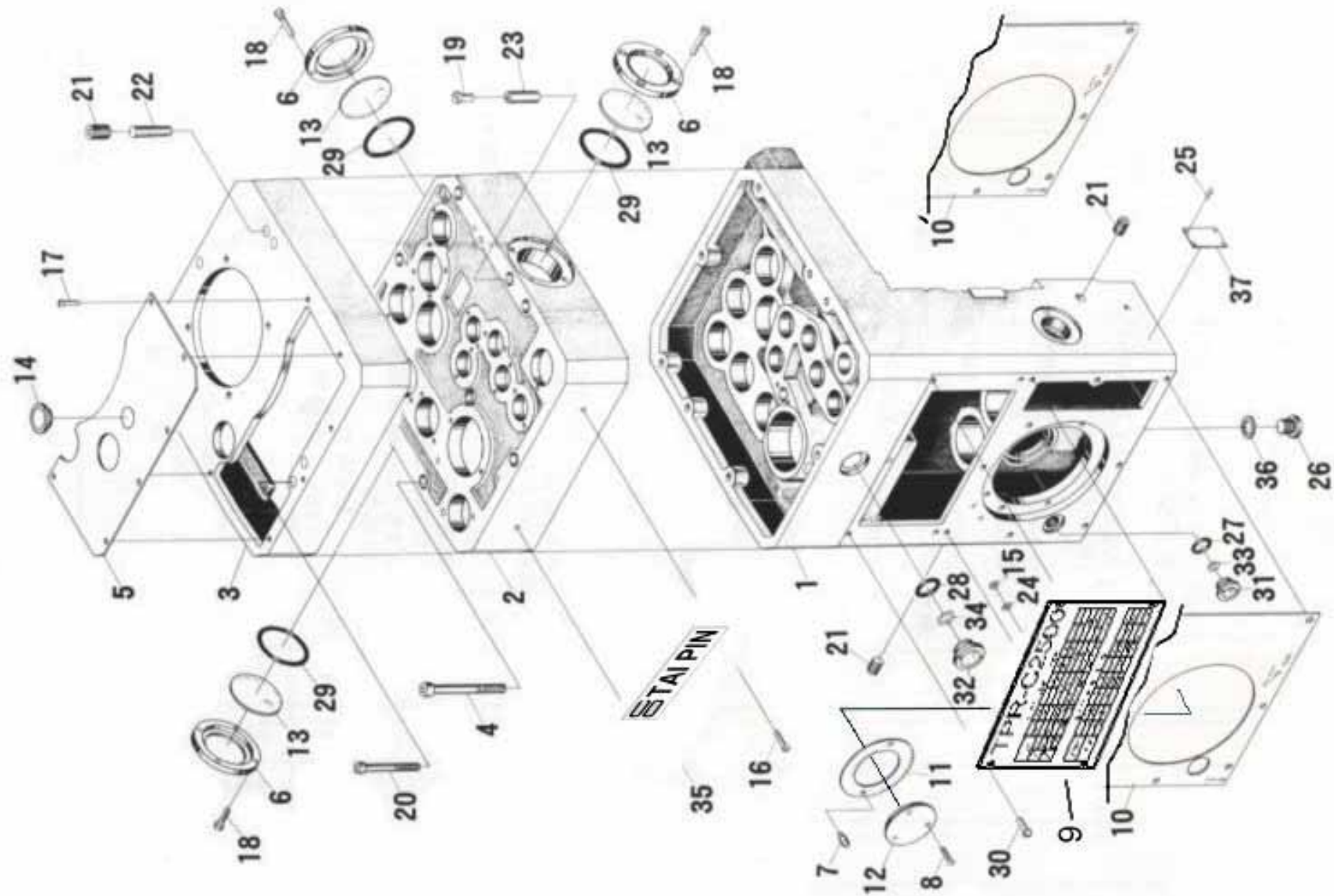


# 零件手冊    PART   LISTS

項次 Index No.	項目 ITEM	圖號 Drawing	頁次 Pages
1	主軸變速機構 Spindle Speed Change Mechanism	.....	01-1    01-1-1~01-1-2
		.....	01-2    01-2-1~01-2-2
		.....	01-3    01-3-1
		.....	01-4    01-4-1
		.....	01-5    01-5-1~01-5-2
		.....	01-6    01-6-1~01-6-2
		.....	01-7    01-7-1~01-7-3
		.....	01-8    01-8-1
		.....	01-9    01-9-1
2	進刀變速機構 Feed Change Mechanism	.....	02-1    02-1-1
		.....	02-2    02-2-1
		.....	02-3    02-3-1
		.....	02-4    02-4-1
		.....	02-5    02-5-1
3	進給機構 Feeding Mechanism	.....	03-1    03-1-1~03-1-3
		.....	03-2    03-2-1~03-2-3
4	機械操作機構 Operating Mechanism	.....	04-1    04-1-1~04-1-2
		.....	04-2    04-2-1~04-2-2
		.....	04-3    04-3-1~04-3-2
		.....	04-4    04-4-1~04-4-2
5	油壓鎖緊機構 Hydraulic And Clamping Mechanism	.....	05-1    05-1-1~05-1-2

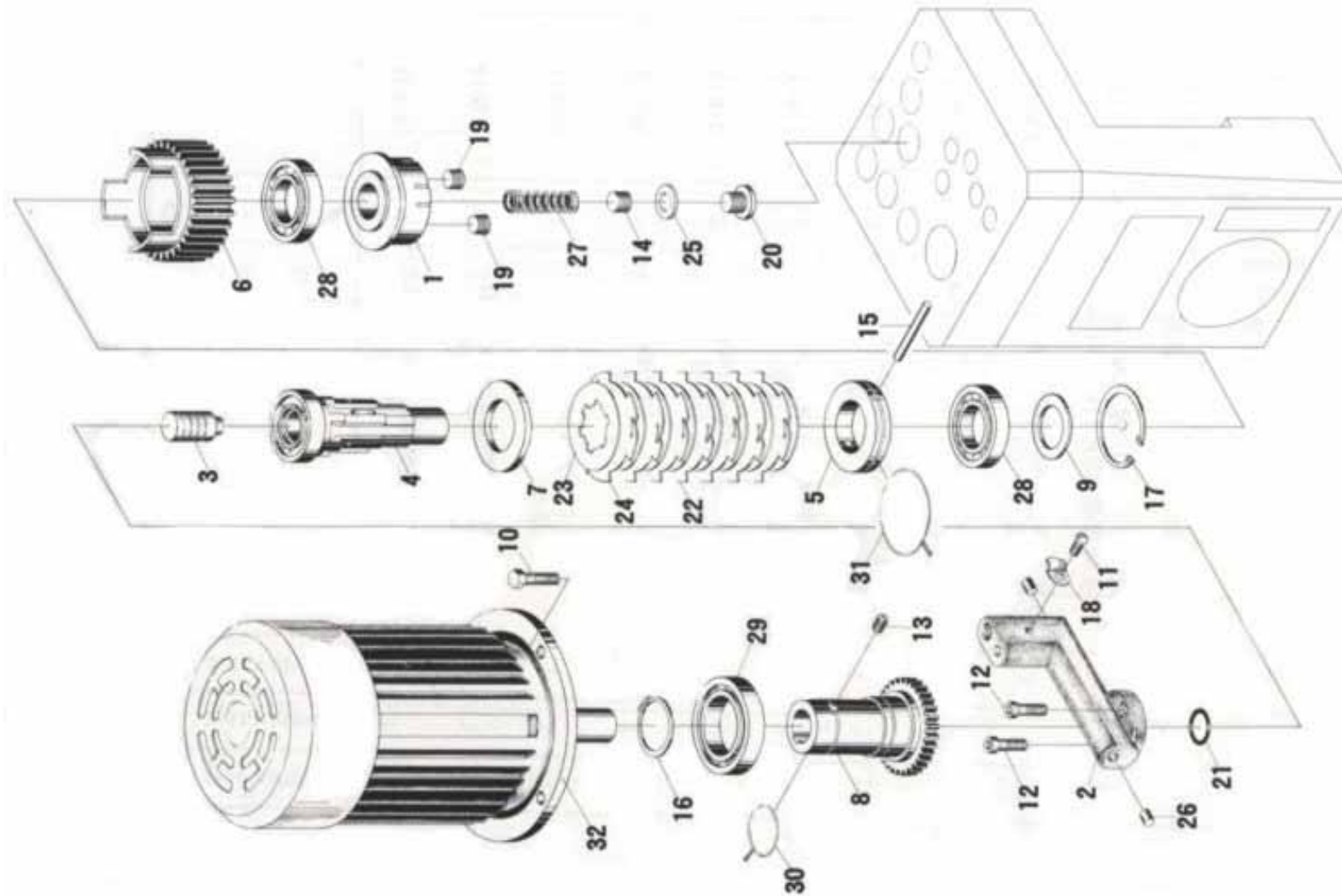
# 零件手冊    PART   LISTS

項次 Index No.	項目 ITEM	圖號 Drawing	頁次 Pages
5	油壓鎖緊機構	Hydraulic And Clamping Mechanism .....	05-2    05-2-1
		.....	05-3    05-3-1
		.....	05-4    05-4-1~05-4-2
6	主軸平衡機構	Spindle And Its Balancing Mechanism .....	06-1    06-1-1
		.....	06-2    06-2-1~06-2-2
7	臂柱機構	Column mechanism .....	07-1    07-1-1
		.....	07-2    07-2-1~07-2-2
		.....	07-3    07-3-1
		.....	07-4    07-4-1
	冷卻機構	Cooling device .....	07-5    07-5-1
8	旋臂機構	Arm mechanism .....	08-1    08-1-1~08-1-3
	旋臂鎖緊機構	Arm clamping mechanism .....	08-2    08-2-1
	旋臂潤滑機構	Arm lubricating device .....	08-3    08-3-1
9	電器系統	Electrical system .....	09-1    09-1-1~09-1-2
		.....	09-2    09-2-1~09-2-3
		.....	09-3    09-3-1~09-3-2
		.....	09-4    09-4-1~09-4-2
10	底座及工作台	Base Plate and worktable .....	10-1    10-1-1
11	備用零件清單	List of spare parts .....	11-1-1~11-1-7
12	備用零件組立圖面	Location of spare parts drawing .....	12-1-1~12-1-9



項次 Index No.	料號 Part No.	圖號 Drawing No.	品名 Part Name	規格 Type (Maker)	數量 Q'ty	備註 Note
1	41011ASB		主軸箱體 Spindle Head Body		1	
2	41012ASB		主軸箱蓋 Cover Of Spindle Head		1	
3	41013ASB		馬達座 Motor Frame		1	
4	41328		螺栓 Screws		6	
5	41335A		蓋板 Cover		1	
6	41350		壓環 Pressuring Rings		3	
7	41355A		旋轉銷 Turning Pins		2	
8	41356A		螺栓 Screws		3	
9			銘牌 Mark Plate		1	C2500用
10			銘牌 Mark Plate		1	C1600用
10'			銘牌 Mark Plate		1	C1250用
11	41803A		銘牌 Mark Plate		1	
12	41804A		銘牌 Mark Plate		1	
13	41903		蓋板 Covers		3	
14	41904A		注油蓋 Oil Hole Cover		1	
15	J11-2		螺帽 Nuts	M3	3	
16	J21-4		螺栓 Screws	M5×10	2	
17	J21-4		螺栓 Screws	M6×8	6	
18	J21-8		螺栓 Screws	M6×12	12	
19	J21-8		螺栓 Screws	M8×12	2	
20	J21-9		螺栓 Screws	M10×100	4	
21	J27-9		螺栓 Screws	M20×1.5×25	3	
22	J41-2		圓錐銷 Round Taper Pins	8×40	2	
23	J44-2		圓柱銷 Cylindrical Pins	A12×40	2	

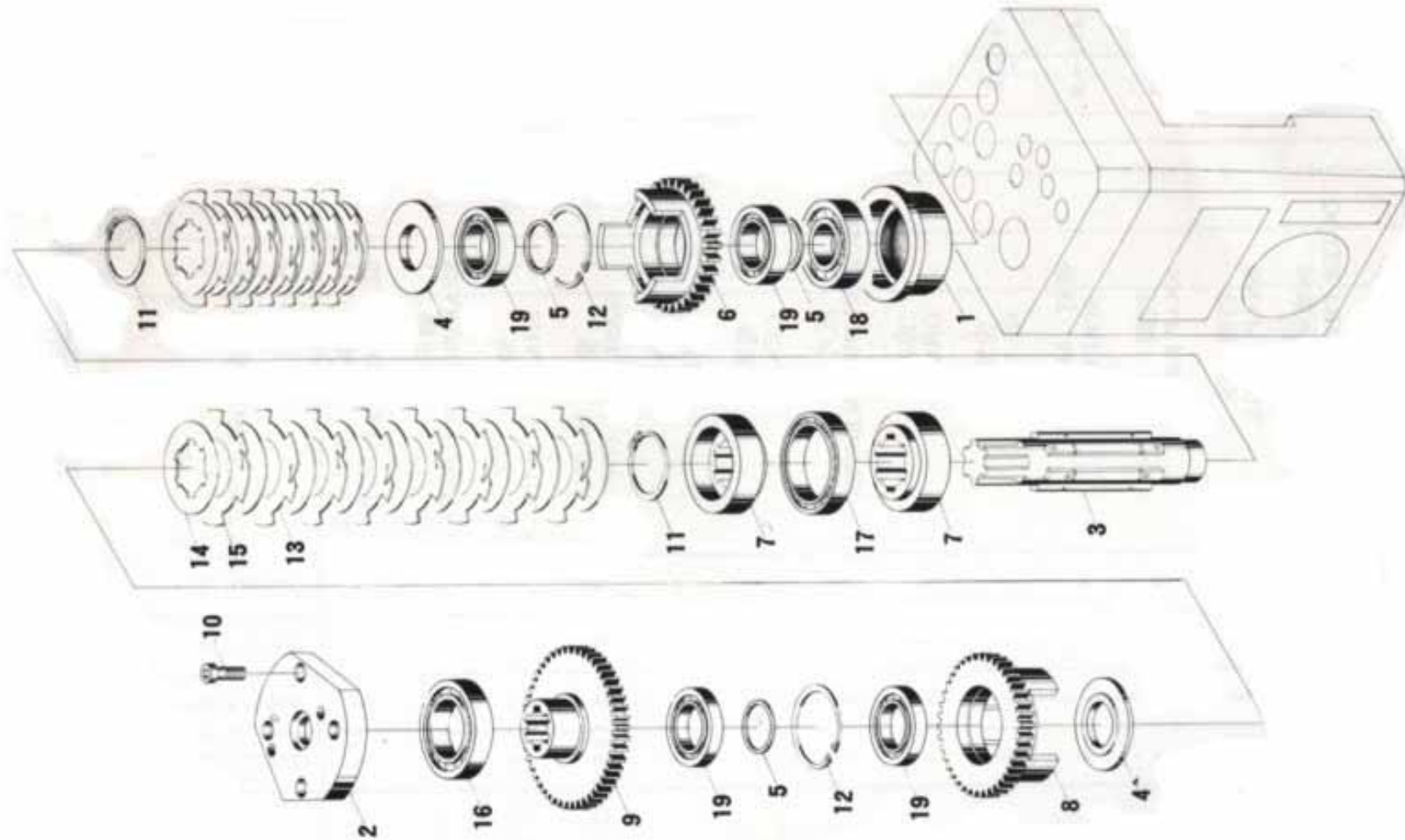




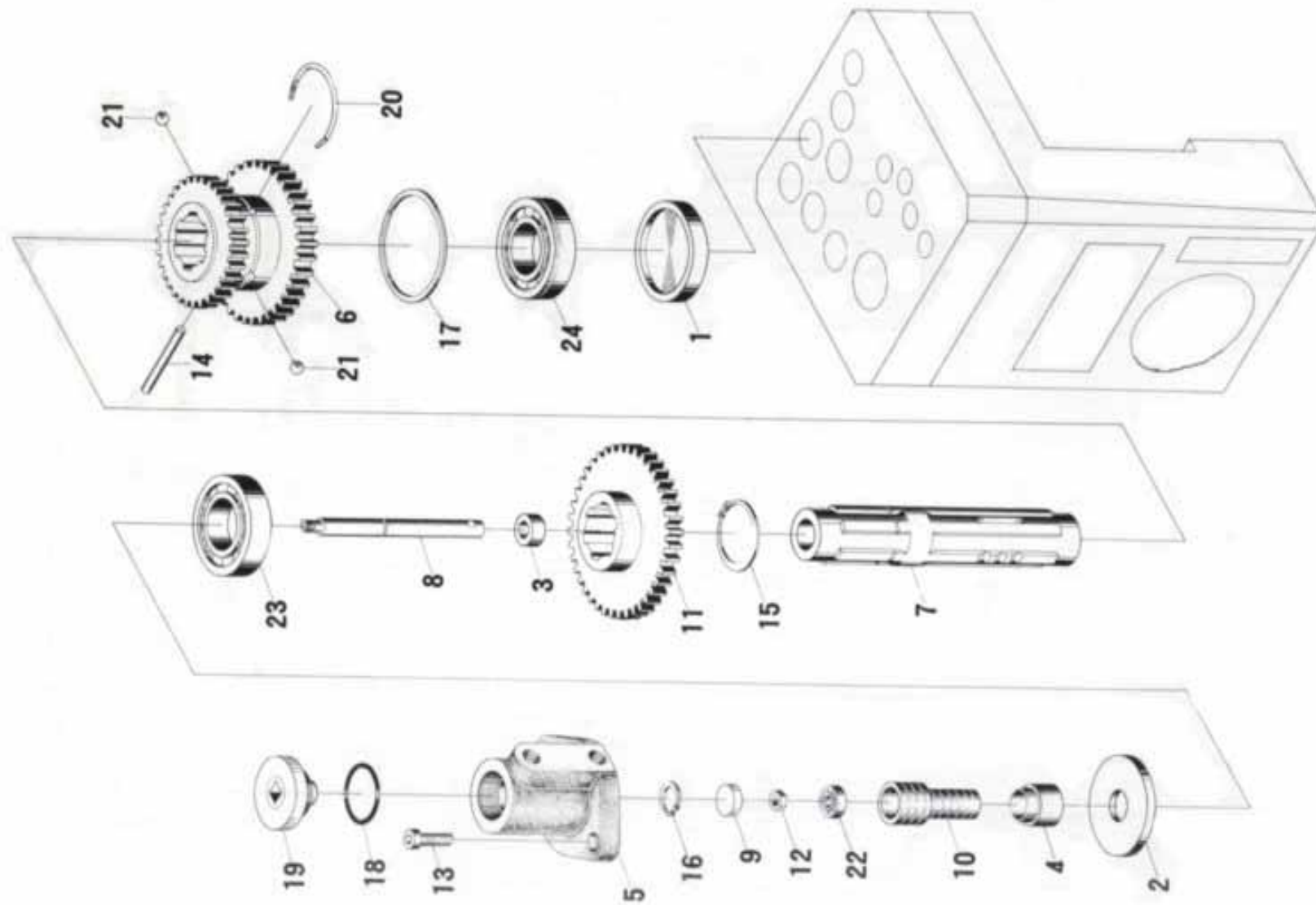
項次 Index No.	料號 Part No.	圖號 Drawing No.	品名 Part Name	規格 Type (Maker)	數量 Q'ty	備註 Note
1	41016		支撐座 Supporting Bracket		1	
2	41017		接油器 Oil Container		1	
3	41308		活塞 Piston		1	
4	41309		軸 Shaft		1	
5	41310		壓墊 Push Pad		1	
6	41311		齒輪 Gear		1	
7	41312		墊片 Gasket		1	
8	41345		齒輪 Gear		1	
9	41353		墊片 Gasket		1	
10	J21-1		螺栓 Bolt	M12×25	4	
11	J21-4		螺栓 Screw	M6×12	1	
12	J21-9		螺栓 Screw	M6×16	2	
13	J22-4		螺栓 Screws	M6×10	1	
14	J22-9		螺栓 Screws	M16×1.5×18	1	
15	J44-1		圓柱銷 Pin Hard	6×60	1	
16	J62-2		C型扣環 Retainer Ring	45	1	
17	J62-3		C型扣環 Retainer Ring	62	1	
18	G31-1		管夾 Pipe Clamp		1	
19	G38-3		油塞 Plug	Z1/4" (6.35mm)	2	
20	G38-4		油塞 Oil Plug	M16×1.5	1	
21	G51-2		O型環 O-Ring	25×2.4	1	
22	SZSC31-1		外摩擦片 Outer Friction Discs	80	4	
23	SZSC31-2		內摩擦片 Inner Friction Discs	70	8	
24	SZSC31-3		外摩擦片 Outer Friction Discs	80	3	



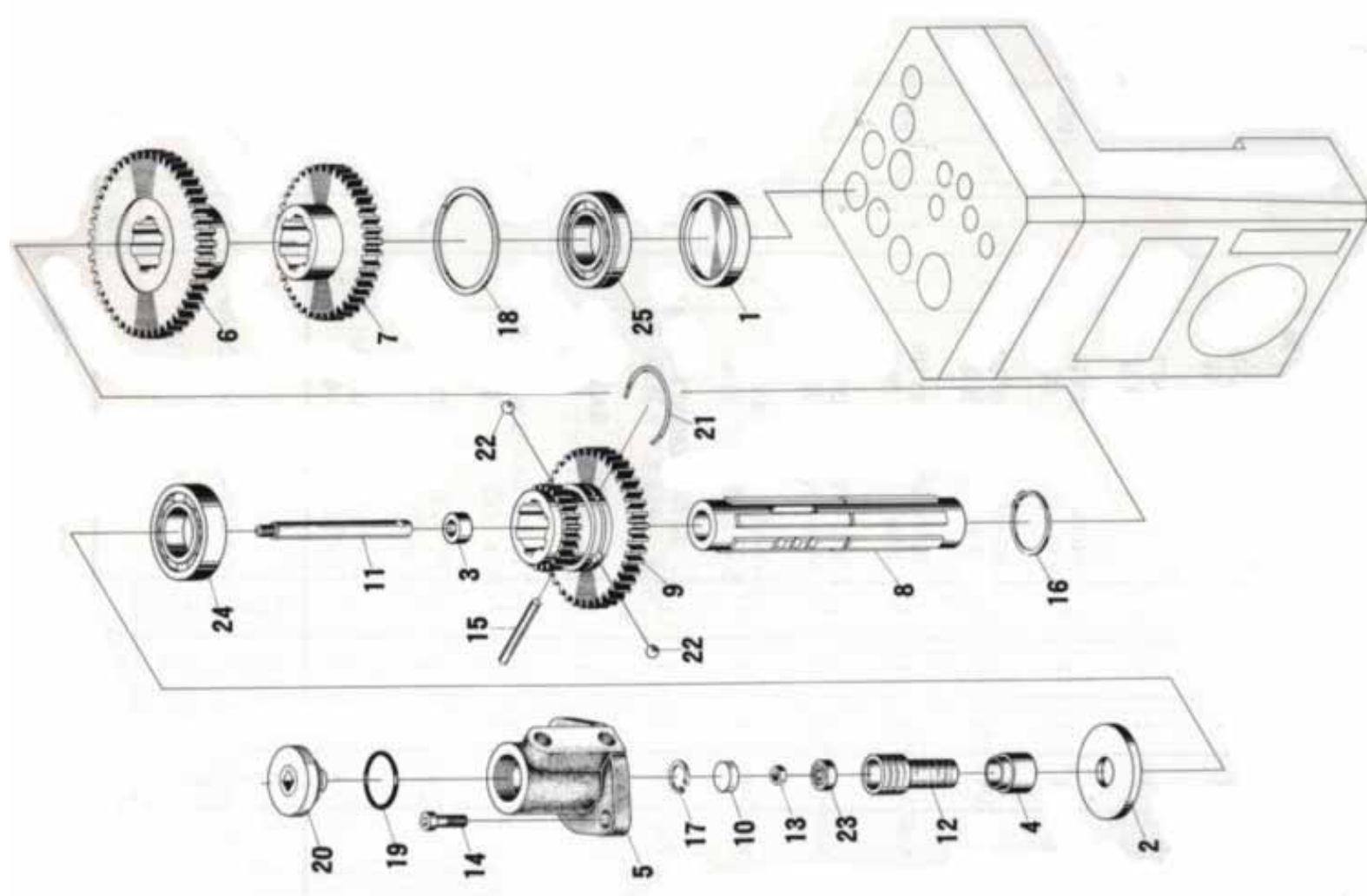




項次 Index No.	料號 Part No.	圖號 Drawing No.	品名 Part Name	規格 Type (Maker)	數量 Q'ty	備註 Note
1	41015		軸承座 Bearing Seat		1	
2	41030		軸承座 Bearing Seat		1	
3	41304		傳動軸 Shaft		1	
4	41305		墊片 Gasket		2	
5	41306		墊片 Gasket		3	
6	41307		齒輪 Gear		1	
7	41346		壓片套 Friction Disk Sleeves		2	
8	41347		齒輪 Gear		1	
9	41348		齒輪 Gear		1	
10	J21-9		螺栓 Screw	M6×20	4	
11	J62-2		C型扣環 Retainer Rings	40	2	
12	J62-3		C型扣環 Retainer Rings	55	2	
13	SZSC31-1		外摩擦片 Outer Friction Discs	80	8	
14	SZSC31-2		內摩擦片 Inner Friction Discs	70	17	
15	SZSC31-3		外摩擦片 Outer Friction Discs	80	8	
16	GB276-64		軸承 Bearing	108	1	
17	GB276-64		軸承 Bearing	110	1	
18	GB276-64		軸承 Bearing	305	1	
19	GB276-64		軸承 Bearing	7000106	4	



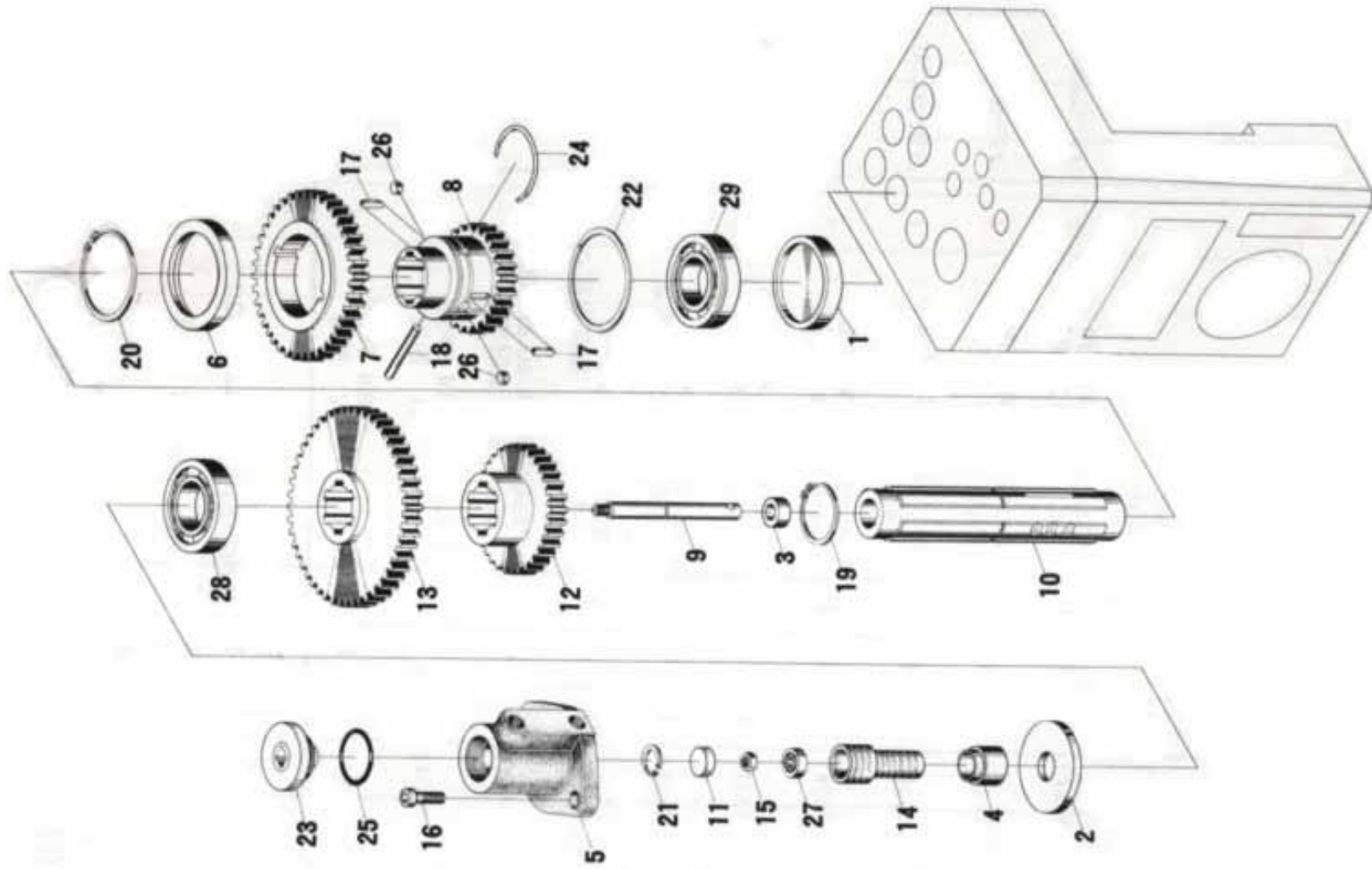
項次 Index No.	料號 Part No.	圖號 Drawing No.	品名 Part Name	規格 Type (Maker)	數量 Q'ty	備註 Note
1	41018		栓塞 Plug		1	
2	41023		墊片 Gasket		1	
3	41024		襯筒 Bushing		1	
4	41028		套筒 Sleeve		1	
5	41029		油壓缸 Oil Cylinder		1	
6	41313		齒輪 Gear		1	
7	41315		傳動軸 Shaft		1	
8	41322		拉桿 Link		1	
9	41336		栓塞 Plug		1	
10	41343		活塞 Piston		1	
11	41344		齒輪 Gear		1	
12	J11-2		螺帽 Nut	M6	1	
13	J21-9		螺栓 Screws	M6×16	2	
14	J44-1		圓柱銷 Cylindrical Pin Hard	5×40	1	
15	J62-2		C型扣環 Retainer Ring	35	1	
16	J62-3		C型扣環 Retainer Ring	19	1	
17	J63-3		軸承墊圈 Clip Ring For Bearing	62	1	
18	G51-2		O型環 O-Ring	35×3.1	1	
19	SZSG38-6		油塞 Plug	M27×1.5	1	
20	SZSQ81-1		定位卡圈 Stopper Ring	35	1	
21	GB308-77		鋼球 Steel Ball	8 VI b	2	
22	GB276-64		軸承 Bearing	26	1	
23	GB276-64		軸承 Bearing	206	1	
24	GB277-64		軸承 Bearing	50206	1	



項次 Index No.	料號 Part No.	圖號 Drawing No.	品名 Part Name	規格 Type (Maker)	數量 Q'ty	備註 Note
1	41018		栓塞 Plug		1	
2	41023		墊片 Gasket		1	
3	41024		襯筒 Bushing		1	
4	41028		套筒 Sleeve		1	
5	41029		油壓缸 Oil Cylinder		1	
6	41316		齒輪 Gear		1	
7	41317		齒輪 Gear		1	
8	41318		傳動軸 Shaft		1	
9	41319		齒輪 Gear		1	
10	41336		栓塞 Plug		1	
11	41342		拉桿 Link		1	
12	41343		油塞 Piston		1	
13	J11-2		螺帽 Nut	M6	1	
14	J21-9		螺栓 Screws	M6×16	2	
15	J44-1		圓柱銷 Cylindrical Pin Hard	5×40	1	
16	J62-2		C型扣環 Retainer Ring	35	1	
17	J62-3		C型扣環 Retainer Ring	19	1	
18	J63-3		軸承墊圈 Clip Ring For Bearing	62	1	
19	G51-2		O型環 O-Ring	3.5×3.1	1	
20	SZSG38-6		油塞 Plug	M27×1.5	1	
21	SZSQ84-1		定位卡圈 Stopper Ring	35	1	
22	GB308-77		鋼球 Steel Ball	8 VI b	2	
23	GB276-64		軸承 Bearing	26	1	
24	GB276-64		軸承 Bearing	206	1	

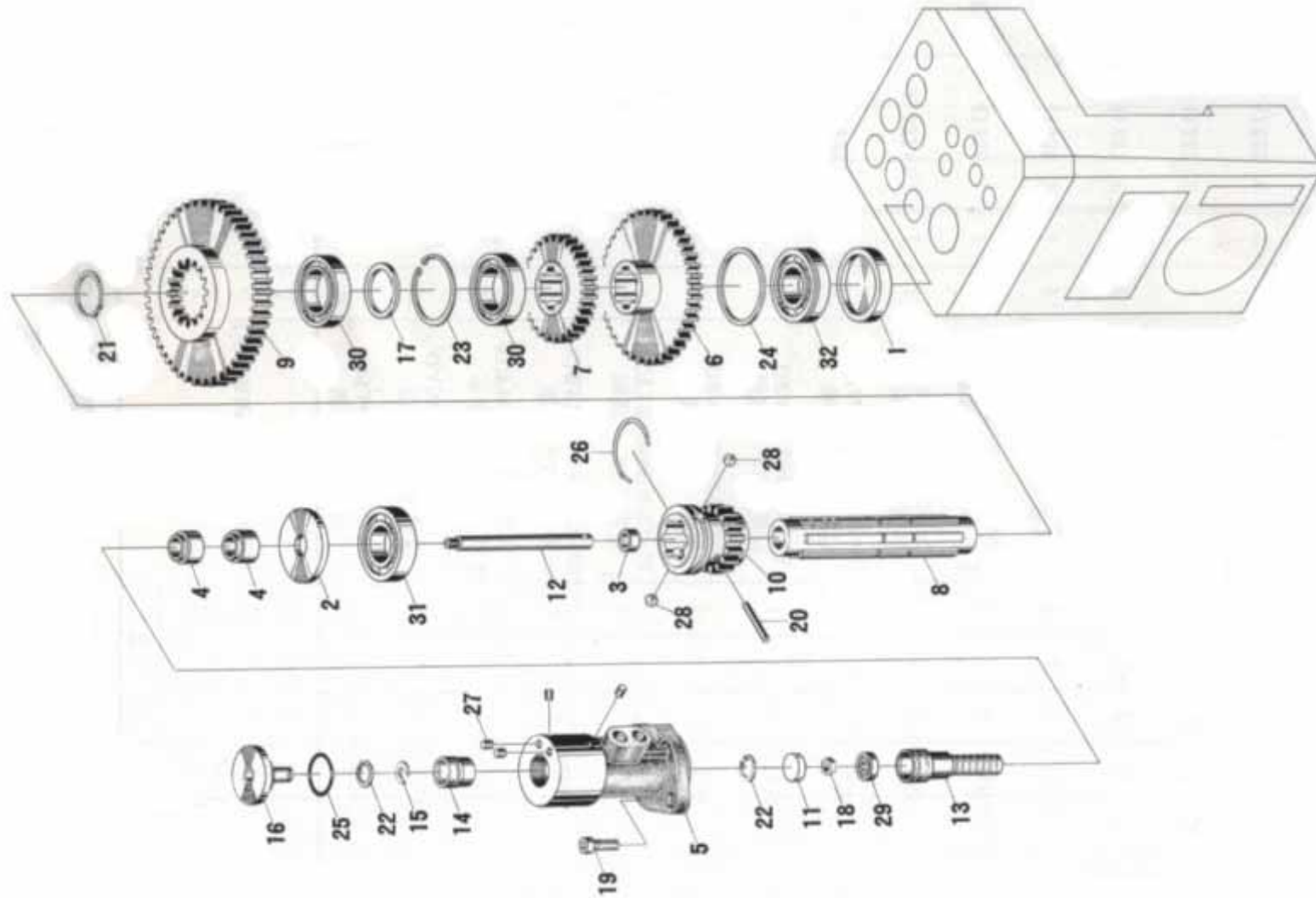






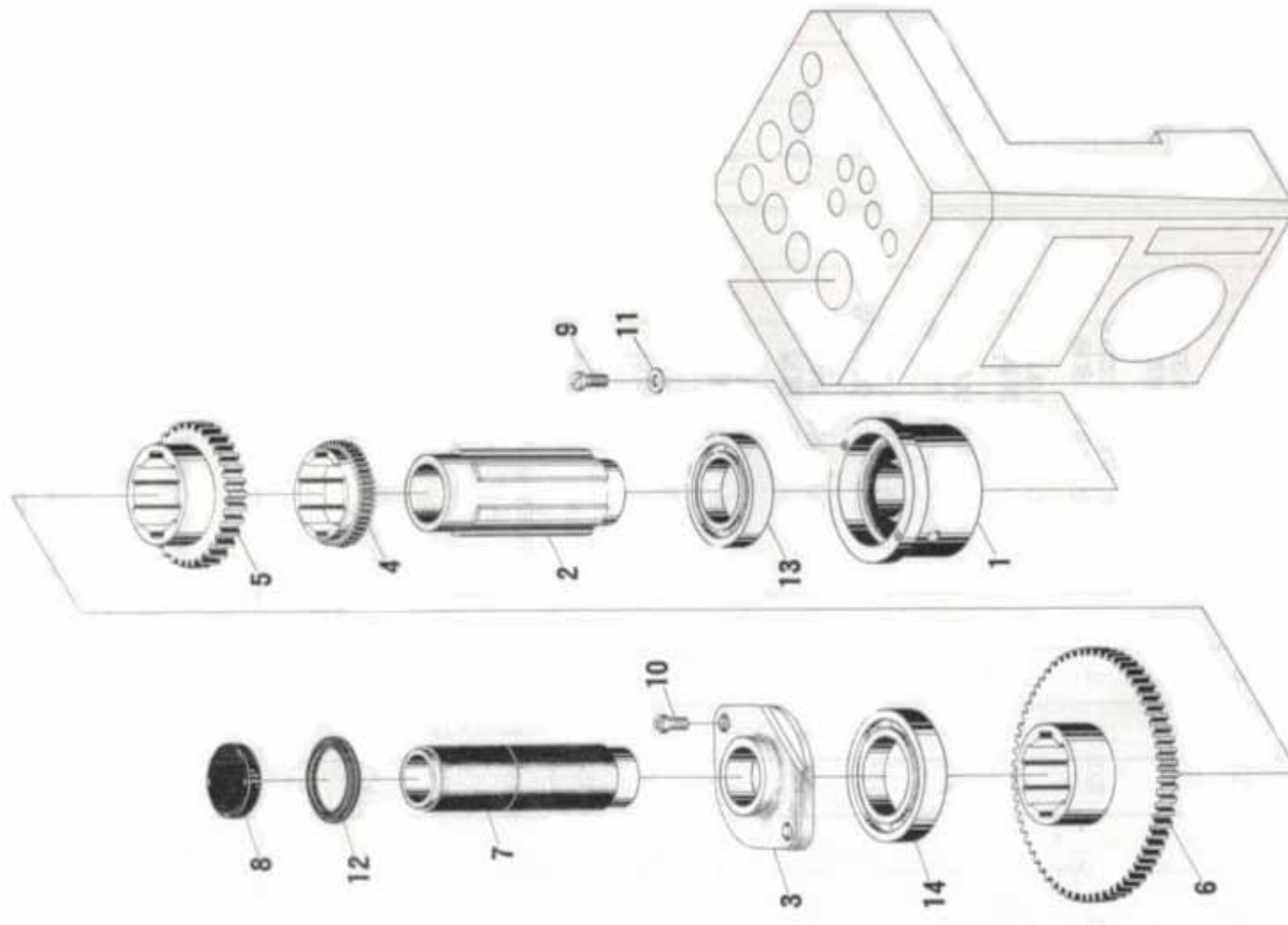
項次 Index No.	料號 Part No.	圖號 Drawing No.	品名 Part Name	規格 Type (Maker)	數量 Q'ty	備註 Note
1	41018		栓塞 Plug		1	
2	41023		墊片 Gasket		1	
3	41024		襯筒 Bushing		1	
4	41028		套筒 Sleeve		1	
5	41029		油壓缸 Oil Cylinder		1	
6	41314		墊片 Gasket		1	
7	41320		齒輪 Gear		1	
8	41321S		齒輪 Gear		1	
9	41322		拉桿 Link		1	
10	41323		傳動軸 Shaft		1	
11	41336		栓塞 Plug		1	
12	41340		齒輪 Gear		1	
13	41341		齒輪 Gear		1	
14	41343		活塞 Piston		1	
15	J11-2		螺帽 Nut	M6	1	
16	J21-9		螺栓 Screw	M6×16	2	
17	J31-1		雙頭圓鍵 Flat Keys	6d <sub>4</sub> ×6×12	2	
18	J44-1		圓柱銷 Cylindrical Pin Hard	5×40	1	
19	J62-2		C型扣環 Retainer Ring	35	1	
20	J62-2		C型扣環 Retainer Ring	55	1	
21	J62-3		C型扣環 Retainer Ring	19	1	
22	J63-3		軸承墊圈 Clip Ring For Bearing	62	1	
23	SZSG38-6		油塞 Plug	M27×1.5	1	
24	SZSQ84-1		定位卡圈 Stopper Ring	35	1	





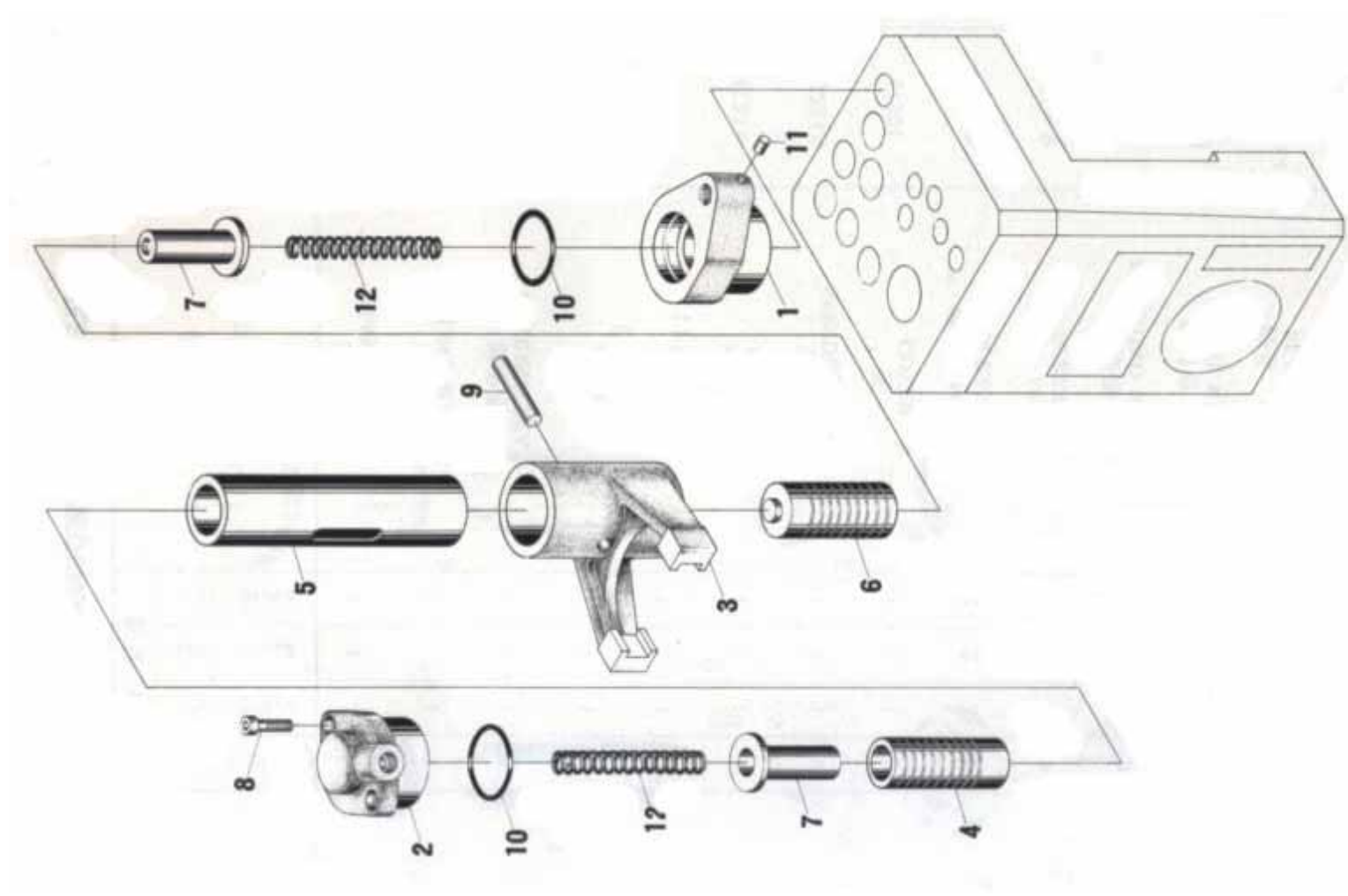
項次 Index No.	料號 Part No.	圖號 Drawing No.	品名 Part Name	規格 Type (Maker)	數量 Q'ty	備註 Note
1	41018		栓塞 Plug		1	
2	41023		墊片 Gasket		1	
3	41024		襯筒 Bushing		1	
4	41025		套筒 Sleeves		2	
5	41026		油壓缸 Oil Cylinder		1	
6	41324		齒輪 Gear		1	
7	41325		齒輪 Gear		1	
8	41326		傳動軸 Shaft		1	
9	41327AS		齒輪 Gear		1	
10	41333		齒輪 Gear		1	
11	41336		栓塞 Plug		1	
12	41337		拉桿 Link		1	
13	41338		活塞 Piston		1	
14	41339		滑閥 Sliding Valve		1	
15	41351		擋板 Back Plate		1	
16	41352		塞頭 Plug		1	
17	41353		墊片 Gasket		1	
18	J11-2		螺帽 Nut	M6	1	
19	J21-9		螺栓 Screws	M6x16	2	
20	J44-1		圓柱銷 Cylindrical Pin Hard	5x45	1	
21	J62-2		C型扣環 Retainer Ring	35	1	
22	J62-3		C型扣環 Retainer Ring	19	2	
23	J62-3		C型扣環 Retainer Ring	62	1	
24	J63-3		軸承套環 Clip Ring For Bearing	62	1	







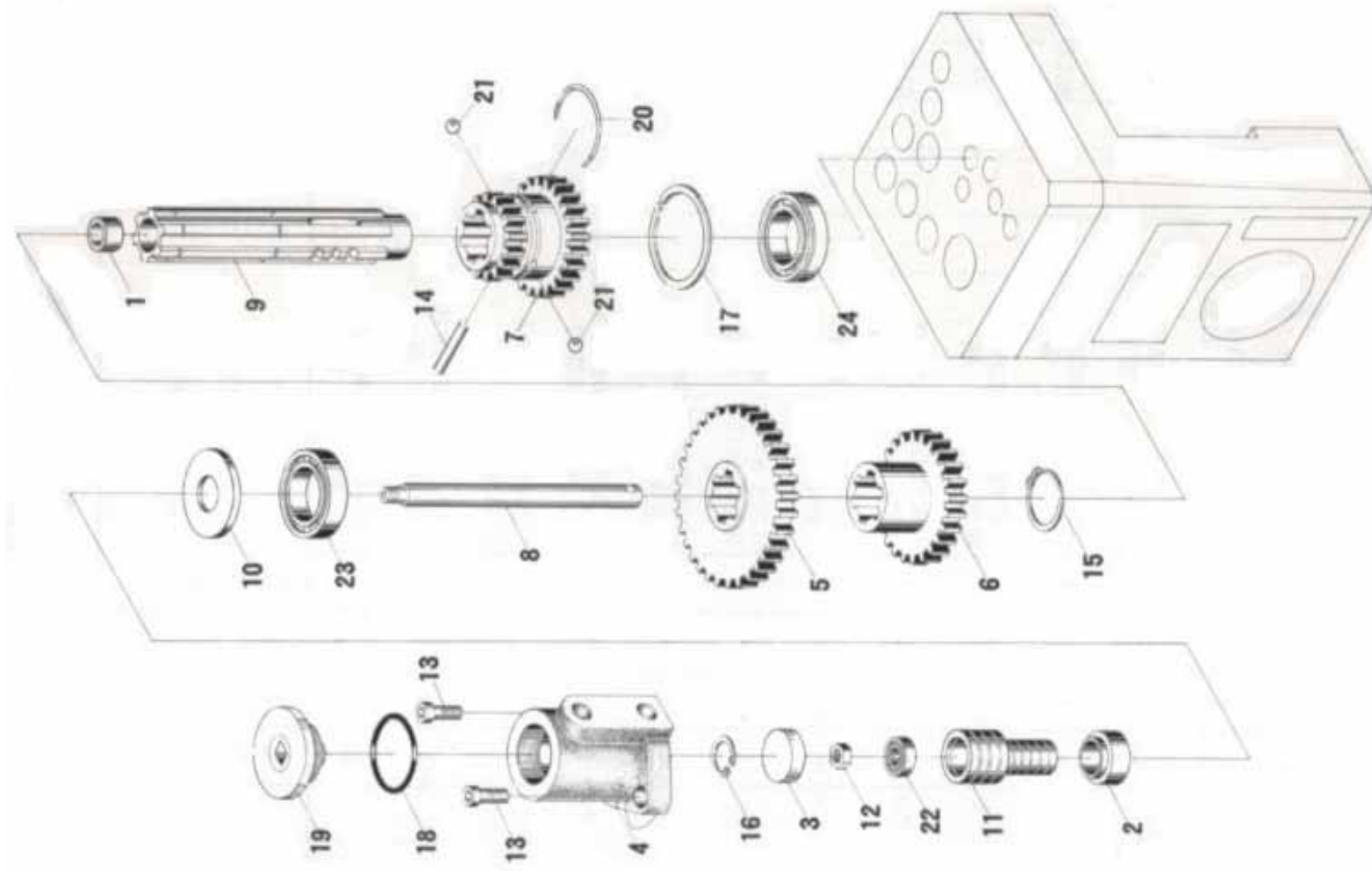




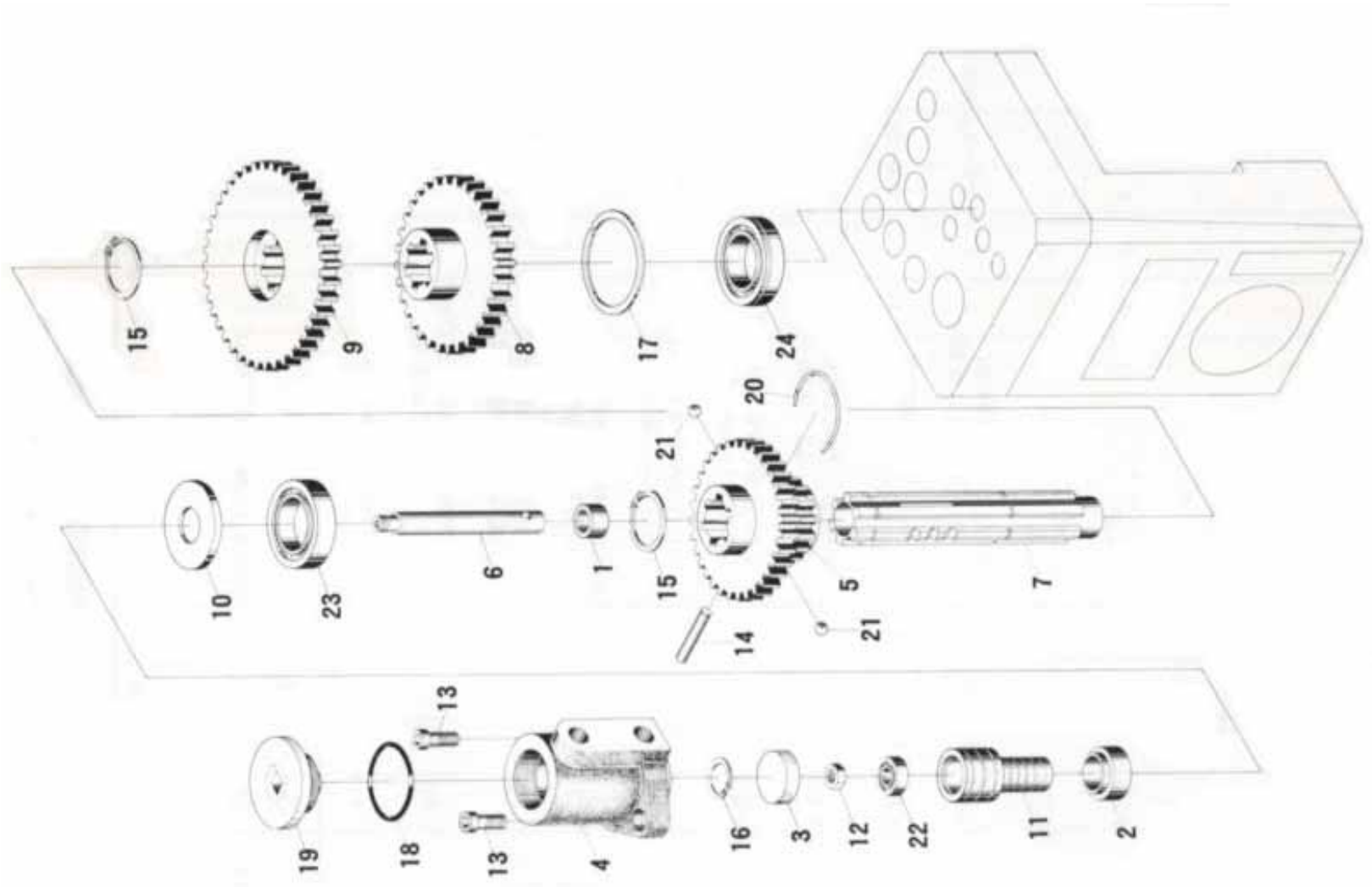




項次 Index No.	料號 Part No.	圖號 Drawing No.	品名 Part Name	規格 Type (Maker)	數量 Q' ty	備註 Note
1	41024		襯筒 Bushing		1	
2	41025		套筒 Sleeve		1	
3	41336		栓塞 Plug		1	
4	42011		油壓缸 Oil Cylinder		1	
5	42304		齒輪 Gear		1	
6	42305		齒輪 Gear		1	
7	42308		軸心 Shaft		1	
8	42312		拉桿 Link		1	
9	42326		墊片 Gasket		1	
10	42327		活塞 Piston		1	
11	J11-2		螺帽 Nut	M6	1	
12	J21-9		螺栓 Screws	M6×16	2	
13	J44-1		圓柱銷 Cylindrical Pin Hard	5×35	1	
14	J62-2		C型扣環 Retainer Ring	25	3	
15	J62-3		C型扣環 Retainer Ring	19	1	
16	J63-3		軸承墊圈 Clip Ring For Bearing	47	3	
17	G51-2		O型環 O-Ring	35×3.1	1	
18	SZSG38-6		油塞 Plug	M27×1.5	1	
19	SZSQ84-1		定位卡圈 Stopper Ring	25	1	
20	GB308-64		鋼球 Steel Balls	6C VI b	2	
21	GB276-64		軸承 Bearing	26	1	
22	GB276-64		軸承 Bearing	205	1	
23	GB277-64		軸承 Bearing	50204	1	



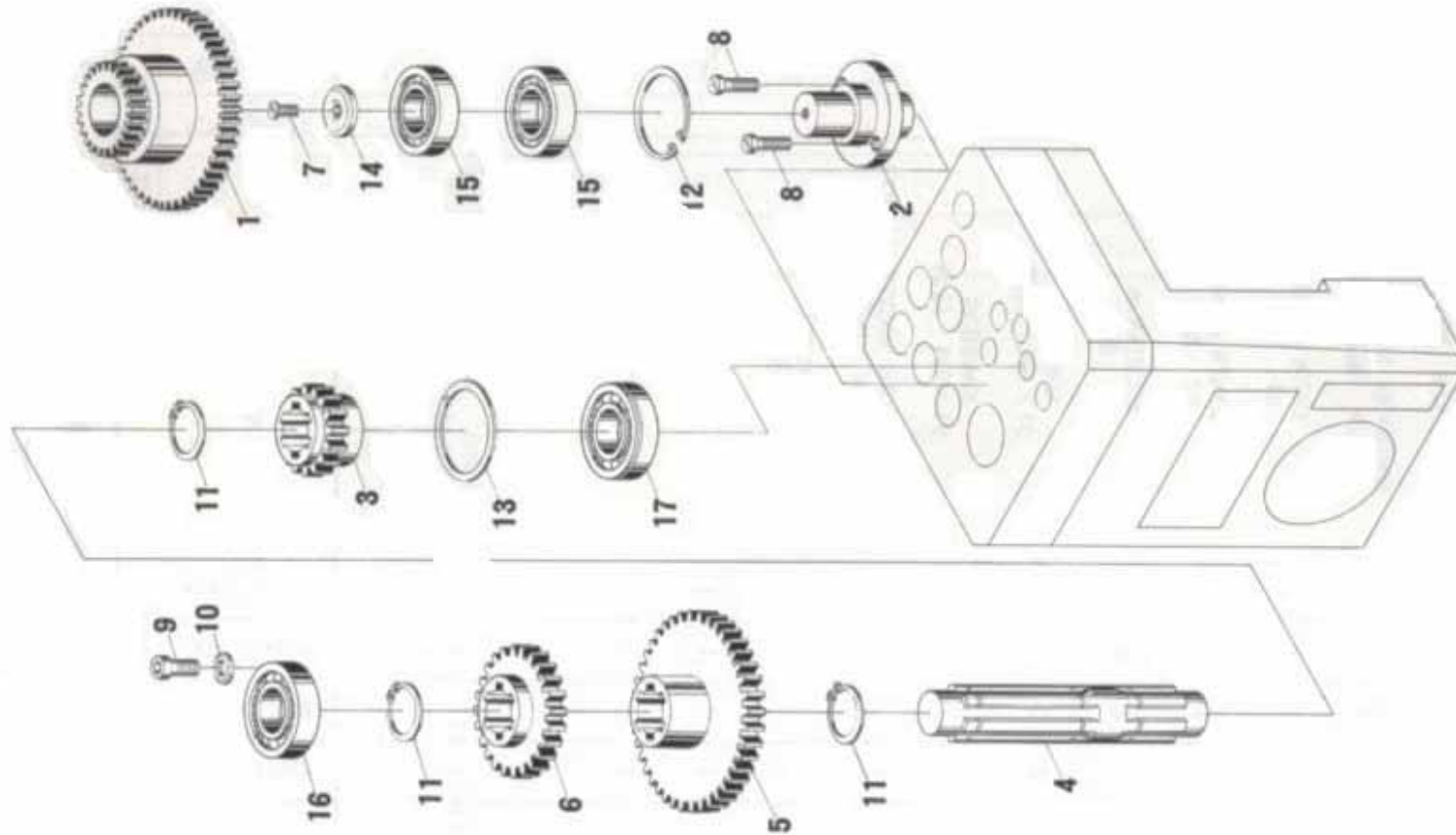
項次 Index No.	料號 Part No.	圖號 Drawing No.	品名 Part Name	規格 Type (Maker)	數量 Q' ty	備註 Note
1	41024		襯筒 Bushing		1	
2	41025		套筒 Sleeve		1	
3	41336		栓塞 Plug		1	
4	42011		油壓缸 Oil Cylinder		1	
5	42301		齒輪 Gear		1	
6	42303		齒輪 Gear		1	
7	42309		齒輪 Gear		1	
8	42310		拉桿 Link		1	
9	42311		傳動軸 Shaft		1	
10	42326		墊片 Gasket		1	
11	42327		活塞 Piston		1	
12	J11-2		螺帽 Nut	M6	1	
13	J21-9		螺栓 Screws	M6×16	2	
14	J44-1		圓柱銷 Cylindrical Pin Hard	5×35	1	
15	J62-2		C型扣環 Retainer Ring	25	1	
16	J62-3		C型扣環 Retainer Ring	19	1	
17	J63-3		軸承墊圈 Clip Ring For Bearing	47	1	
18	G51-2		O型環 O-Ring	35×3.1	1	
19	SZSG38-6		油塞 Plug	M27×1.5	1	
20	SZSQ84-1		定位卡圈 Stopper Ring	25	1	
21	GB308-64		鋼球 Steel Balls	6C VI b	2	
22	GB276-64		軸承 Bearing	26	1	
23	GB276-64		軸承 Bearing	105	1	
24	GB277-64		軸承 Bearing	50204	1	



項次 Index No.	料號 Part No.	圖號 Drawing No.	品名 Part Name	規格 Type (Maker)	數量 Q' ty	備註 Note
1	41024		襯筒 Bushing		1	
2	41025		套筒 Sleeve		1	
3	41336		栓塞 Plug		1	
4	42011		油壓缸 Oil Cylinder		1	
5	42302		齒輪 Gear		1	
6	42312		拉桿 Link		1	
7	42313		傳動軸 Shaft		1	
8	42314		齒輪 Gear		1	
9	42321		齒輪 Gear		1	
10	42326		墊片 Gasket		1	
11	42327		活塞 Piston		1	
12	J11-2		螺帽 Nut	M6	1	
13	J21-9		螺栓 Screws	M6×16	2	
14	J44-1		圓柱銷 Cylindrical Pin Hard	5×35	1	
15	J62-2		C型扣環 Retainer Ring	25	2	
16	J62-3		C型扣環 Retainer Ring	19	1	
17	J63-3		軸承墊圈 Clip Ring For Bearing	47	1	
18	G51-2		O型環 O-Ring	35×3.1	1	
19	SZSG38-6		油塞 Plug	M27×1.5	1	
20	SZSQ84-1		定位卡圈 Stopper Ring	25	1	
21	GB308-64		鋼球 Steel Balls	6C VI b	2	
22	GB276-64		軸承 Bearing	26	1	
23	GB276-64		軸承 Bearing	105	1	
24	GB277-64		軸承 Bearing	50204	1	

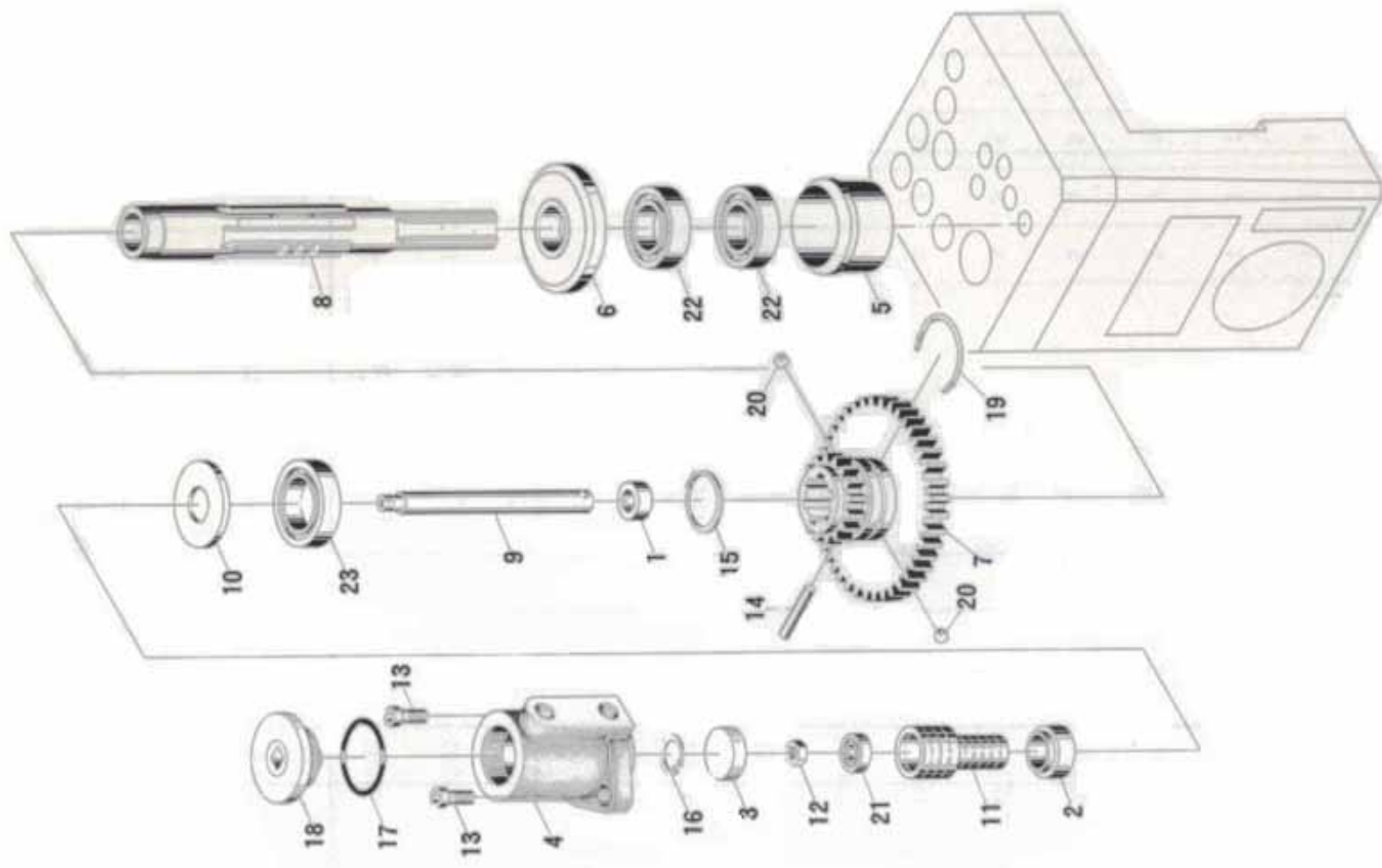


索引Unit No:02-4  
進刀變速機構 Feed Change Mechanism

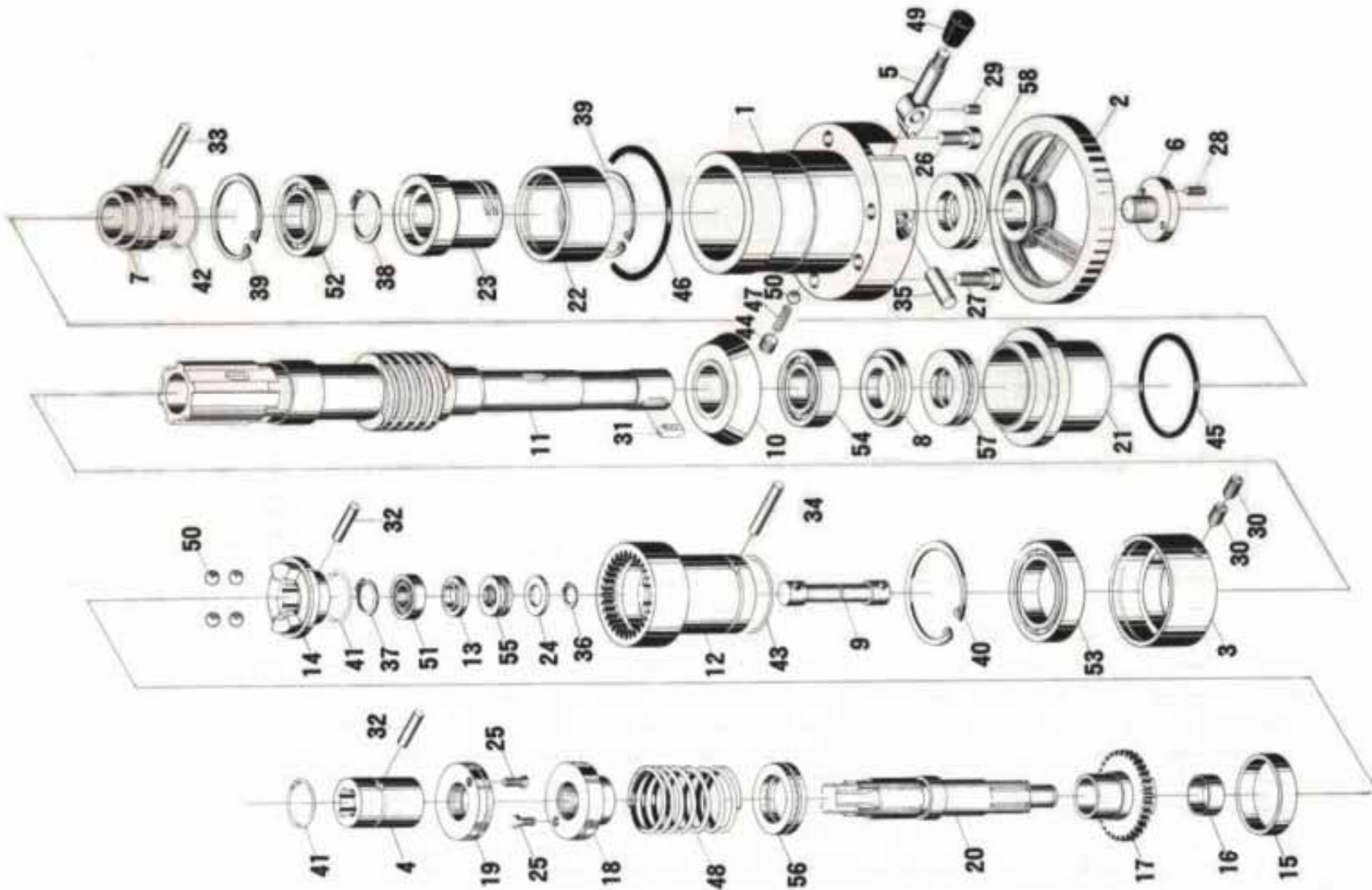


項次 Index No.	料號 Part No.	圖號 Drawing No.	品名 Part Name	規格 Type (Maker)	數量 Q' ty	備註 Note
1	42306		齒輪 Gear		1	
2	42307		傳動軸 Shaft		1	
3	42315		齒輪 Gear		1	
4	42316		傳動軸 Shaft		1	
5	42322		齒輪 Gear		1	
6	42325		齒輪 Gear		1	
7	J21-6		埋頭螺栓 Countersunk Head Screws	M5x12	1	
8	J21-8		螺栓 Screws	M6x16	2	
9	J21-9		螺栓 Screws	M6x16	2	
10	J51-1		墊圈 Washers	6	2	
11	J62-2		C型扣環 Retainer Ring	25	3	
12	J62-3		C型扣環 Retainer Ring	42	1	
13	J63-3		軸承墊圈 Clip Ring For Bearing	47	1	
14	J64-1		墊圈 Washer	B25	1	
15	GB276-64		軸承 Bearing	104	2	
16	GB276-64		軸承 Bearing	204	1	
17	GB277-64		軸承 Bearing	50204	1	

索引Unit No:02-5  
進刀變速機構 Feed Change Mechanism



項次 Index No.	料號 Part No.	圖號 Drawing No.	品名 Part Name	規格 Type (Maker)	數量 Q'ty	備註 Note
1	41024		襯筒 Bushing		1	
2	41025		套筒 Sleeve		1	
3	41336		栓塞 Plug		1	
4	42011		油壓缸 Oil Cylinder		1	
5	42317		軸承座 Bearing Seat		1	
6	42318		油封 Oil Seal		1	
7	42320		齒輪 Gear		1	
8	42323		傳動軸 Shaft		1	
9	42324		拉桿 Link		1	
10	42326		墊片 Gasket		1	
11	42327		活塞 Piston		1	
12	J11-2		螺帽 Nut	M6	1	
13	J21-9		螺栓 Screws	M6×16	2	
14	J44-1		圓柱銷 Cylindrical Pin Hard	5×35	1	
15	J62-2		C型扣環 Retainer Ring	25	1	
16	J62-3		C型扣環 Retainer Ring	19	1	
17	G51-2		O型環 O-Ring	35×3.1	1	
18	SZSG38-6		油塞 Plug	M27×1.5	1	
19	SZSQ84-1		定位卡圈 Stopper Ring	25	1	
20	GB308-64		鋼球 Steel Balls	6C VI b	2	
21	GB276-64		軸承 Bearing	26	1	
22	GB276-64		軸承 Bearing	104	2	
23	GB276-64		軸承 Bearing	105	1	



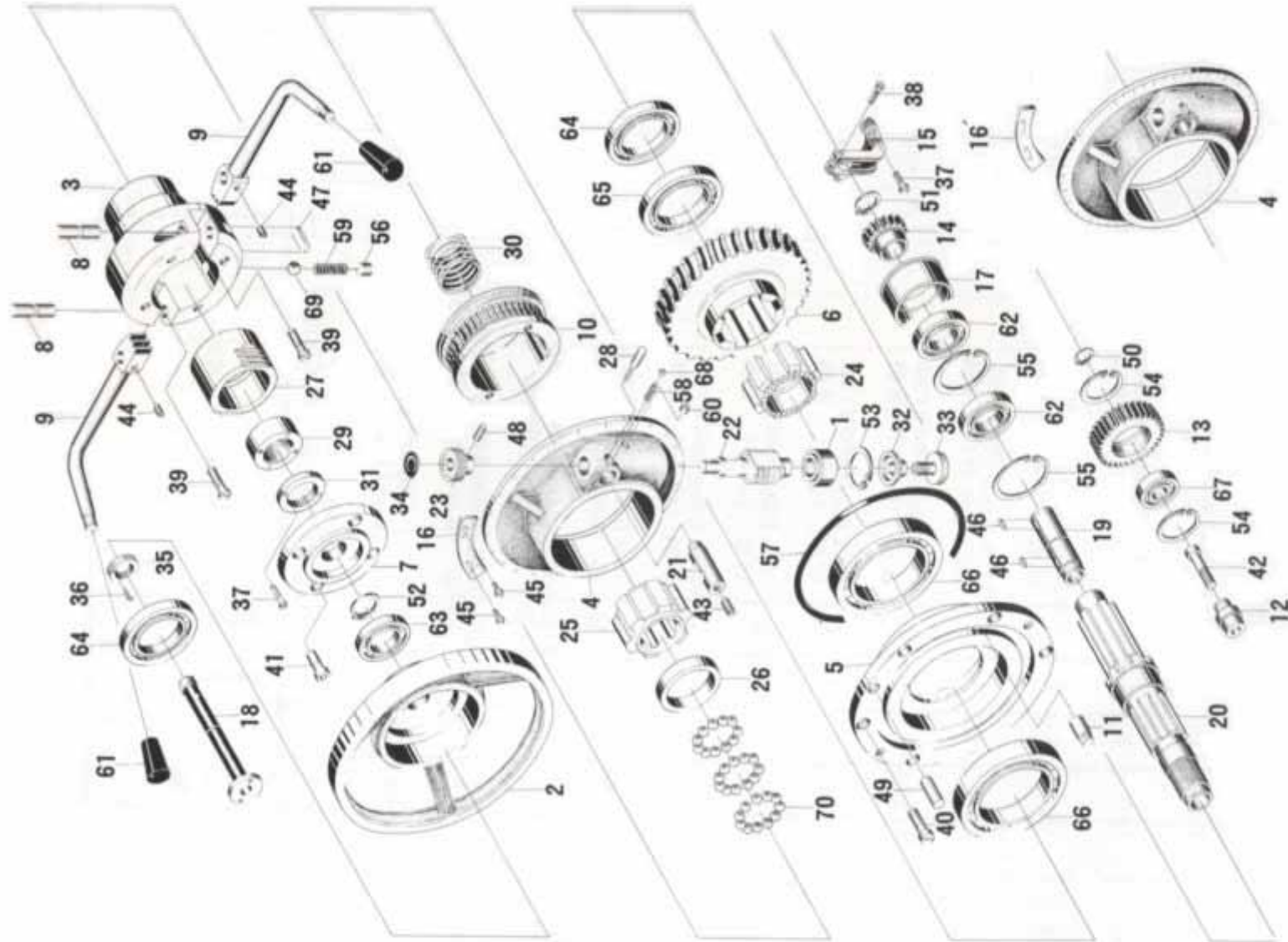
項次 Index No.	料號 Part No.	圖號 Drawing No.	品名 Part Name	規格 Type (Maker)	數量 Q'ty	備註 Note
1	43011A		軸承座 Bearing Seat		1	
2	43012A		手輪 Hand Wheel		1	
3	43014		套筒 Sleeve		1	
4	43015		花鍵套 Sp-Line Sleeve		1	
5	43301A		手柄 Handle		1	
6	43302		螺栓 Screw		1	
7	43304		滑動套 Sliding Bush		1	
8	43305		墊片 Gasket		1	
9	43306		拉桿 Link		1	
10	43307		支撐蓋 Rest Cover		1	
11	43308		蝸桿軸 Worm Shaft		1	
12	43309		內齒套 Internal Gear Sleeve		1	
13	43310		墊片 Gasket		1	
14	43311		離合器(F) (Lower) Clutch	(F)	1	
15	43312		套筒 Sleeve		1	
16	43313		套筒 Sleeve		1	
17	43314		離合器(上) (Upper) Clutch		1	
18	43315		螺帽 Nut		1	
19	43316		螺帽 Nut		1	
20	43317		傳動軸 Shaft		1	
21	43336		軸承座 Bearing Seat		1	
22	43348		套筒 Sleeve		1	
23	43349		齒條套 Rack Sleeve		1	
24	43353		墊片 Gasket		1	

項次 Index No.	料號 Part No.	圖號 Drawing No.	品名 Part Name	規格 Type (Maker)	數量 Q'ty	備註 Note
25	J21-1		螺栓 Bolt	M5x10	2	
26	J21-9		螺栓 Screws	M8x20	2	
27	J21-9		螺栓 Screws	M8x40	4	
28	J22-4		螺栓 Screws	M4x10	1	
29	J22-4		螺栓 Screws	M5x8	1	
30	J22-4		螺栓 Screws	M8x16	2	
31	J31-1		雙頭圓鍵 Flat Key	5x5x12	1	
32	J44-1		圓柱銷 Cylindrical Pins Hard	5h8x30	2	
33	J44-1		圓柱銷 Cylindrical Pin Hard	5h8x35	1	
34	J44-1		圓柱銷 Cylindrical Pin Hard	5h8x45	1	
35	J44-1		圓柱銷 Cylindrical Pin	10h8x30	1	
36	J62-2		C型扣環 Retainer Ring	12	1	
37	J62-2		C型扣環 Retainer Ring	20	1	
38	J62-2		C型扣環 Retainer Ring	30	1	
39	J62-3		C型扣環 Retainer Ring	55	2	
40	J62-3		C型扣環 Retainer Ring	68	1	
41	J62-5		鎖圈 Locking Ring	30	2	
42	J62-5		鎖圈 Locking Ring	35	1	
43	J62-5		鎖圈 Locking Ring	47	1	
44	G38-5		油塞 Plugs	M12x1.25	2	
45	G51-2		O型環 O-Ring	75x3.1	1	
46	G51-2		O型環 O-Ring	85x3.1	1	
47	Q81-1		壓縮彈簧 Pressure Ring	1.2x8x30	1	
48	Q81-1		壓縮彈簧 Pressure Ring	7x45x70	1	





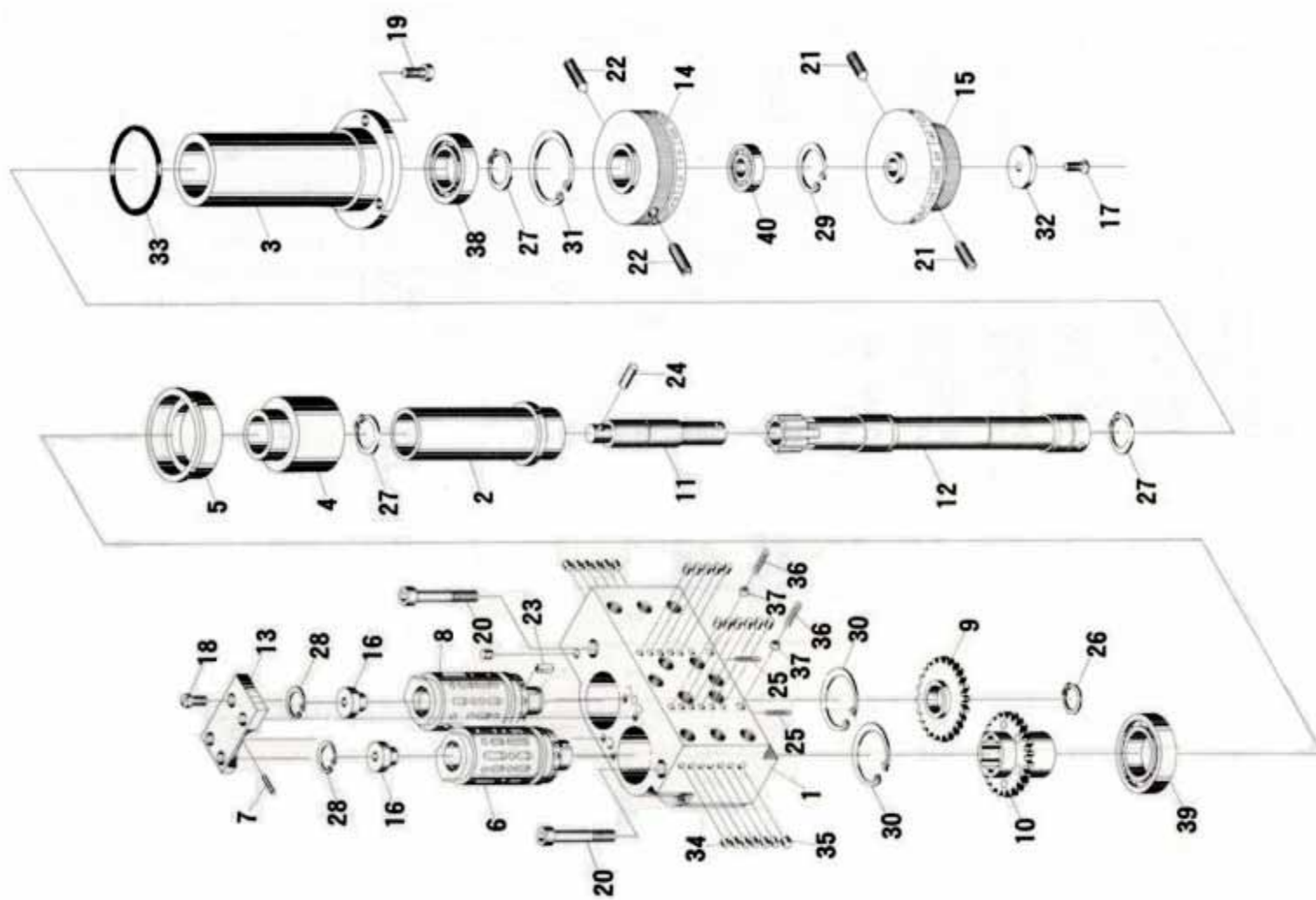
索引Unit No:03-2  
進給機構 Feeding Mechanism



項次 Index No.	料號 Part No.	圖號 Drawing No.	品名 Part Name	規格 Type (Maker)	數量 Q'ty	備註 Note
1	43013A		軸承套 Bearing Sleeve		1	
2	43016A		手輪 Handle Wheel		1	
3	43017A		軸承套 Bearing Sleeve		1	
4	43018A		刻度盤 Indexing Dial	Metric System	1	
4'	53018A		刻度盤 Indexing Dial	British System	1	
5	43019		軸承套 Bearing Sleeve		1	
6	43020		蝸輪 Worm Wheel		1	
7	43021A		軸承蓋 Cover		1	
8	43318		定位銷 Pins		2	
9	43319A		手把 Handles		2	
10	43320		蝸輪 Worm Wheel		1	
11	43321		撞塊 Dog		1	
12	43324		套筒 Sleeve		1	
13	43325		齒輪 Gear		1	
14	43326		齒輪 Gear		1	
15	43327		管夾 Pipe Clamp		1	
16	43328		副尺 Sub-Scale	Metric System	1	
16'	43328A		副尺 Sub-Scale	British System	1	
17	43329		套筒 Sleeve		1	
18	43330A		套管 Drive-Pipe		1	
19	43331		傳動軸 Shaft		1	
20	43332		傳動軸 Shaft		1	
21	43333		撞軸 Bumping Pin		1	
22	43334		蝸桿 Worm		1	

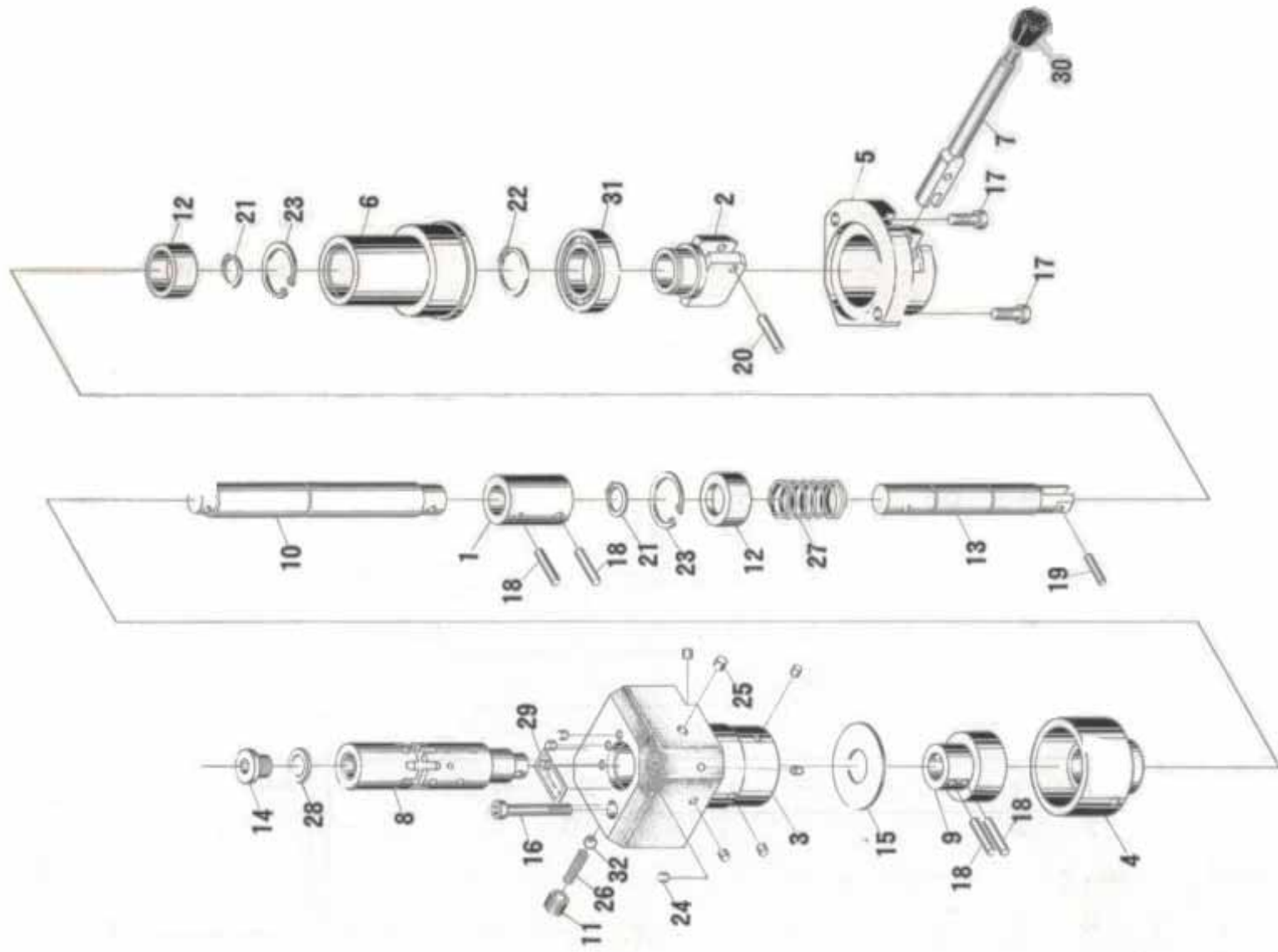
項次 Index No.	料號 Part No.	圖號 Drawing No.	品名 Part Name	規格 Type (Maker)	數量 Q'ty	備註 Note
23	43337		旋鈕 Knob		1	
24	43338		齒狀離合器 Teeth Clutch		1	
25	43339		齒狀離合器 Teeth Clutch		1	
26	43340		套筒 Sleeve		1	
27	43343		推管 Push Sleeve		1	
28	43344		銷 Pin		1	
29	43345		螺帽 Nut		1	
30	43346		彈簧 Spring		1	
31	43350		螺帽 Nut		1	
32	43351A		套筒 Sleeve		1	
33	43352A		螺栓 Screw		1	
34	42801A		銘牌 Mark Plate		1	
35	J14-5		螺帽 Nut	M18×1.5	1	
36	J21-6		埋頭螺栓 Countersunk Head Screws	M3×6	1	
37	J21-8		螺栓 Screws	M5×12	4	
38	J21-8		螺栓 Screws	M5×18	1	
39	J21-8		螺栓 Screws	M6×12	2	
40	J21-8		螺栓 Screws	M8×20	5	
41	J21-9		螺栓 Screws	M6×16	4	
42	J21-9		螺栓 Screw	M8×45	1	
43	J22-4		螺栓 Screws	M6×10	1	
44	J22-6		螺栓 Screws	M6×10	2	
45	J27-9		螺栓 Screws	M5×8	2	
46	J31-1		雙頭圓鍵 Flat Keys	4×4×12	2	

項次 Index No.	料號 Part No.	圖號 Drawing No.	品名 Part Name	規格 Type (Maker)	數量 Q'ty	備註 Note
47	J31-1		雙頭圓鍵 Flat Key	8x7x35	1	
48	J41-1		圓錐銷 Round Taper Pin	3x16	1	
49	J44-2		圓柱銷 Cylindrical Pin	A8x25	1	
50	J62-2		C型扣環 Retainer Ring	17	1	
51	J62-2		C型扣環 Retainer Ring	20	1	
52	J62-2		C型扣環 Retainer Ring	25	1	
53	J62-3		C型扣環 Retainer Ring	35	1	
54	J62-3		C型扣環 Retainer Ring	40	2	
55	J62-3		C型扣環 Retainer Ring	55	2	
56	G38-5		油塞 Plug	M12x1.25	1	
57	G51-2		O型環 O-Ring	210x5.7	1	
58	Q81-1		壓縮彈簧 Pressure Spring	0.5x5x10	1	
59	Q81-1		壓縮彈簧 Pressure Spring	1.2x8x25	1	
60	R71-1		油杯 Oil Cup	6	1	
61	Z18-1		手柄 Handle Wheel	M12	2	
62	GB276-64		軸承 Bearing	106	2	
63	GB276-64		軸承 Bearing	7000106	1	
64	GB276-64		軸承 Bearing	7000110	2	
65	GB276-64		軸承 Bearing	7000111	1	
66	GB276-64		軸承 Bearings	116	2	
67	GB276-64		軸承 Bearing	203	1	
68	GB308-77		鋼球 Steel Ball	5 VI b	1	
69	GB308-77		鋼球 Steel Ball	10 VI b	1	
70	GB308-77		鋼球 Steel Ball	12 VI b	33	



項次 Index No.	料號 Part No.	圖號 Drawing No.	品名 Part Name	規格 Type (Maker)	數量 Q'ty	備註 Note
1	44011		閥體 Valve Body		1	
2	44012A		軸套 Bushing		1	
3	44013		套筒 Sleeve		1	
4	44022		套筒 Seal Cover		1	
5	44025		軸承座 Bearing Seat		1	
6	44301		閥蕊 Valve Core		1	
7	44302		銷 Pin		1	
8	44303		閥蕊 Valve Core		1	
9	44304		齒輪 Gear		1	
10	44305		齒輪 Gear		1	
11	44308		軸 Shaft		1	
12	44309A		套筒 Quill		1	
13	44318		擋板 Back Plate		1	
14	44322		變速旋鈕 Knob		1	
15	44324		變速旋鈕 Knob		1	
16	44325		塞頭 Plug		2	
17	J21-6		埋頭螺栓 Countersunk Screw	M5×10	1	
18	J21-8		螺栓 Screws	M4×12	4	
19	J21-8		螺栓 Screws	M5×12	3	
20	J21-9		螺栓 Screws	M6×55	2	
21	J22-9		螺栓 Screws	M8×20	2	
22	J22-9		螺栓 Screws	M8×25	2	
23	J31-1		雙頭圓鍵 Flat Key	5×5×10	1	
24	J44-1		圓柱銷 Cylindrical Pin	4×16	1	

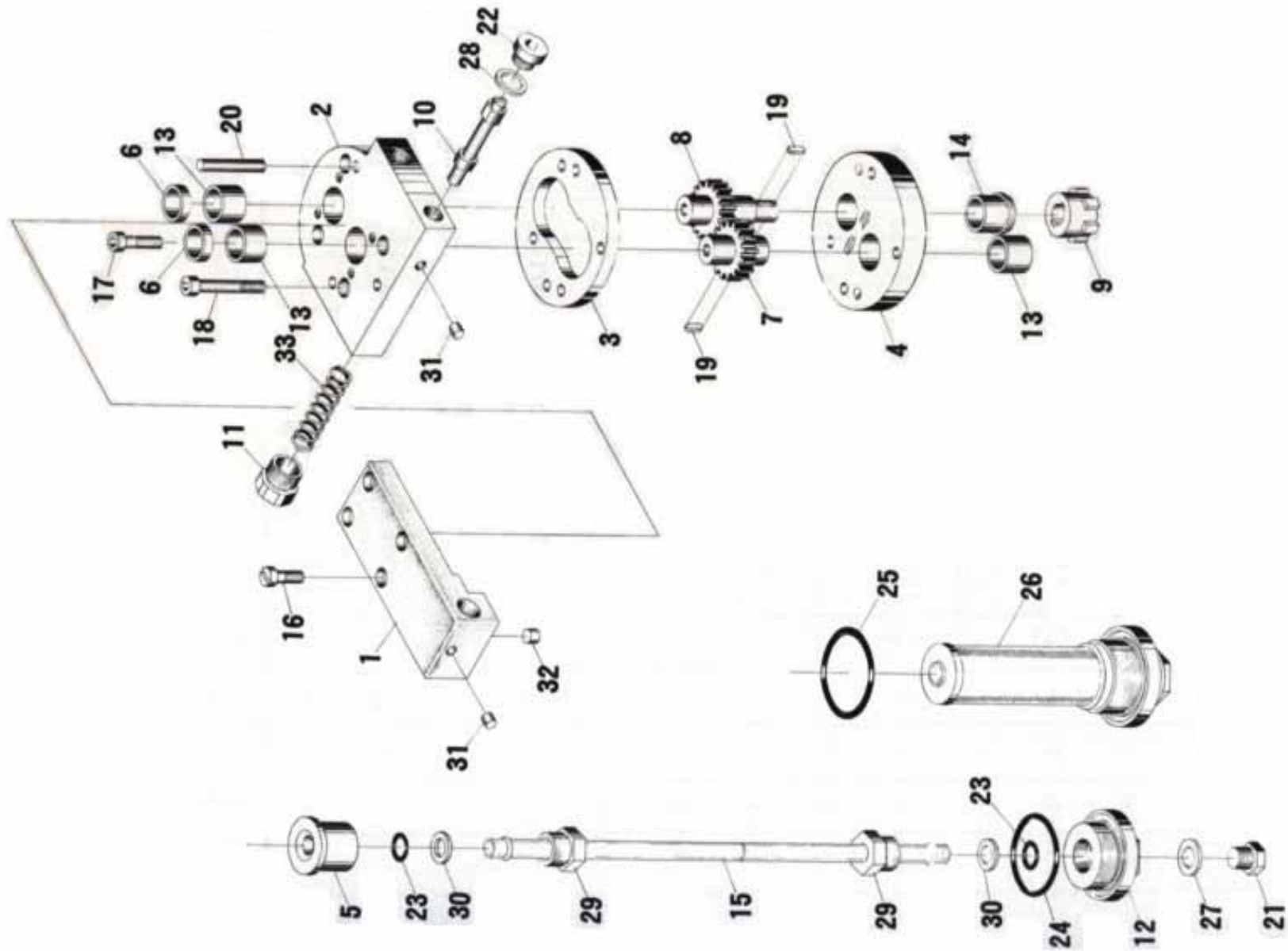
項次 Index No.	料號 Part No.	圖號 Drawing No.	品名 Part Name	規格 Type (Maker)	數量 Q'ty	備註 Note
25	J44-1		圓柱銷 Cylindrical Pins	4x18	2	
26	J62-2		C型扣環 Retainer Ring	16	1	
27	J62-2		C型扣環 Retainer Ring	25	3	
28	J62-3		C型扣環 Retainer Ring	20	2	
29	J62-3		C型扣環 Retainer Ring	32	1	
30	J62-3		C型扣環 Retainer Ring	40	2	
31	J62-3		C型扣環 Retainer Ring	47	1	
32	J64-1		C型扣環 Retainer Ring	B20	1	
33	G51-2		O型環 O-Ring	60x3.1	1	
34	Q56-1		塞頭 Plugs	4	24	
35	Q56-1		塞頭 Plugs	6	6	
36	Q81-1		壓縮彈簧 Pressure Spring	1x6x22	2	
37	GB304-64		鋼球 Steel Balls	6 VI b	2	
38	GB276-64		軸承 Bearing	105	1	
39	GB276-64		軸承 Bearing	106	1	
40	GB276-64		軸承 Bearing	201	1	





項次 Index No.	料號 Part No.	圖號 Drawing No.	品名 Part Name	規格 Type (Maker)	數量 Q'ty	備註 Note
1	44014		套筒 Sleeve		1	
2	44015		支撐座 Supporting Bracket		1	
3	44020		閥體 Valve Body		1	
4	44021		軸套 Bushing		1	
5	44023A		壓蓋 Cover		1	
6	44024		支撐套 Bearing Sleeve		1	
7	44307		手把 Handle		1	
8	44316		閥蕊 Valve Core		1	
9	44317		套筒 Sleeve		1	
10	44319		連接桿 Joint Rod		1	
11	44320		塞頭 Plug		1	
12	44321		套筒 Sleeves		2	
13	44323		拉桿 Link		1	
14	44326		油塞 Plug		1	
15	44327		墊片 Pad		1	
16	J21-9		螺栓 Screws	M6x55	1	
17	J21-9		螺栓 Screws	M8x16	2	
18	J41-1		圓柱銷 Cylindrical Pins	5x30	4	
19	J44-1		圓柱銷 Cylindrical Pin Hard	5x14	1	
20	J44-1		圓柱銷 Cylindrical Pin Hard	5x20	1	
21	J62-2		C型扣環 Retainer Ring	18	2	
22	J62-2		C型扣環 Retainer Ring	30	1	
23	J62-3		C型扣環 Retainer Ring	35	2	
24	Q56-1		塞頭 Plugs		9	

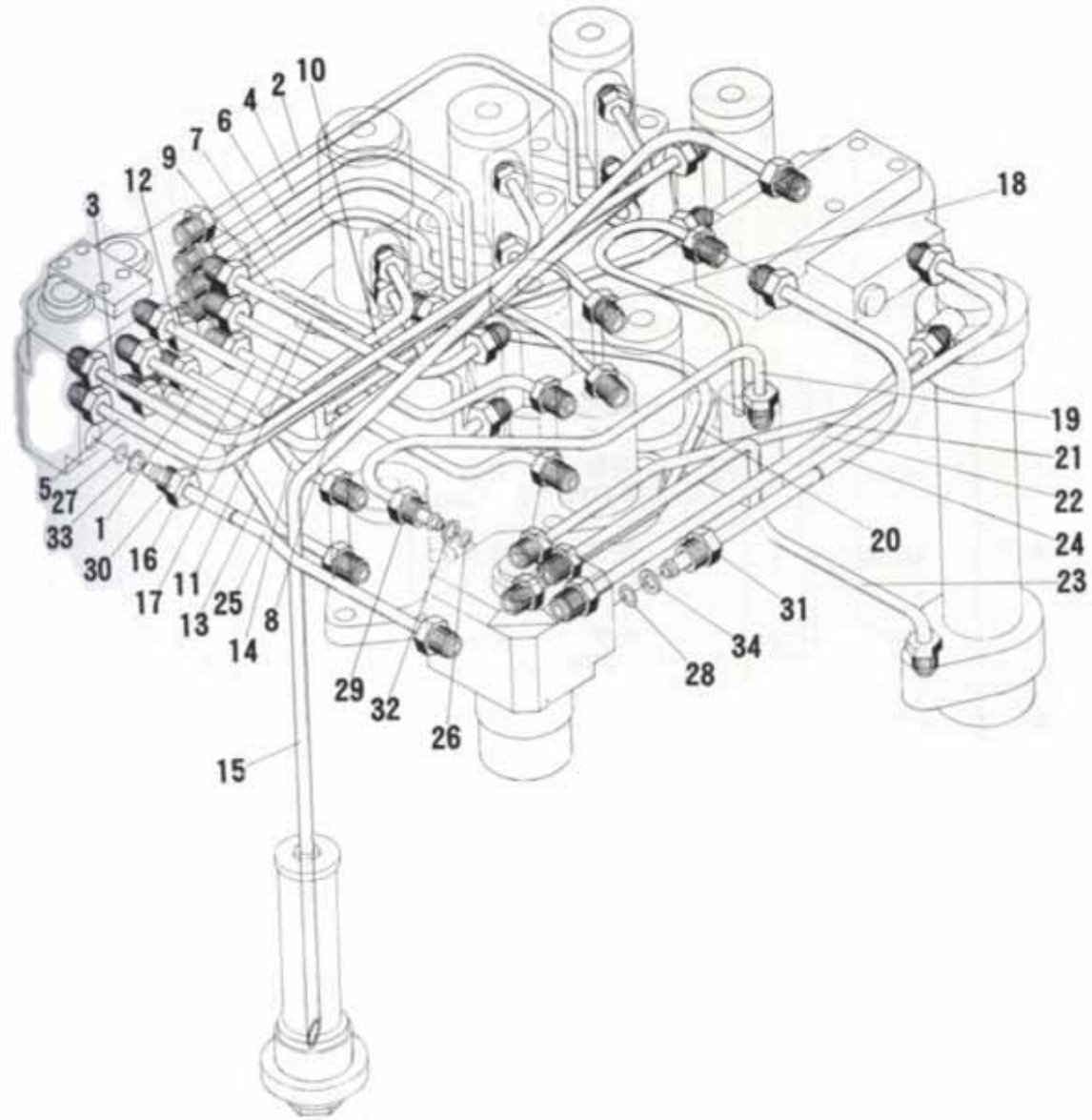




項次 Index No.	料號 Part No.	圖號 Drawing No.	品名 Part Name	規格 Type (Maker)	數量 Q'ty	備註 Note
1	44016		分油器 Oil Distributor		1	
2	44017		上泵體 Upper Part Of Pump Body		1	
3	44018		齒輪油泵 Pump Body		1	
4	44019		下泵體 Lower Part Of Pump Body		1	
5	44026		固定套 Plug		1	
6	44310		套筒 Sleeves		2	
7	44311		齒輪 Gear		1	
8	44312		齒輪 Gear		1	
9	44313		連接套 Joint Sleeve		1	
10	44314		閥蕊 Valve Core		1	
11	44315		塞頭 Screw Plug		1	
12	44329A		塞頭 Screw Plug		1	
13	44801		軸套 Shaft Sleeves		3	
14	44802		軸套 Shaft Sleeve		1	
15	44901A		洩油管 Draining Oil Pipe		1	
16	J21-8		螺栓 Screws	M5×18	4	
17	J21-9		螺栓 Screws	M6×35	2	
18	J21-9		螺栓 Screws	M6×50	2	
19	J31-1		雙頭圓鍵 Flat Keys	3d <sub>4</sub> ×3×12	2	
20	J44-1		圓柱銷 Cylindrical Pins	8×45	2	
21	G38-2		塞頭 Screw Plug	M12×1.25	1	
22	G38-4		油塞 Oil Plug	M14×1.5	1	
23	G51-2		O型環 O-Ring	13×1.9	2	
24	G51-2		O型環 O-Ring	45×3.1	1	



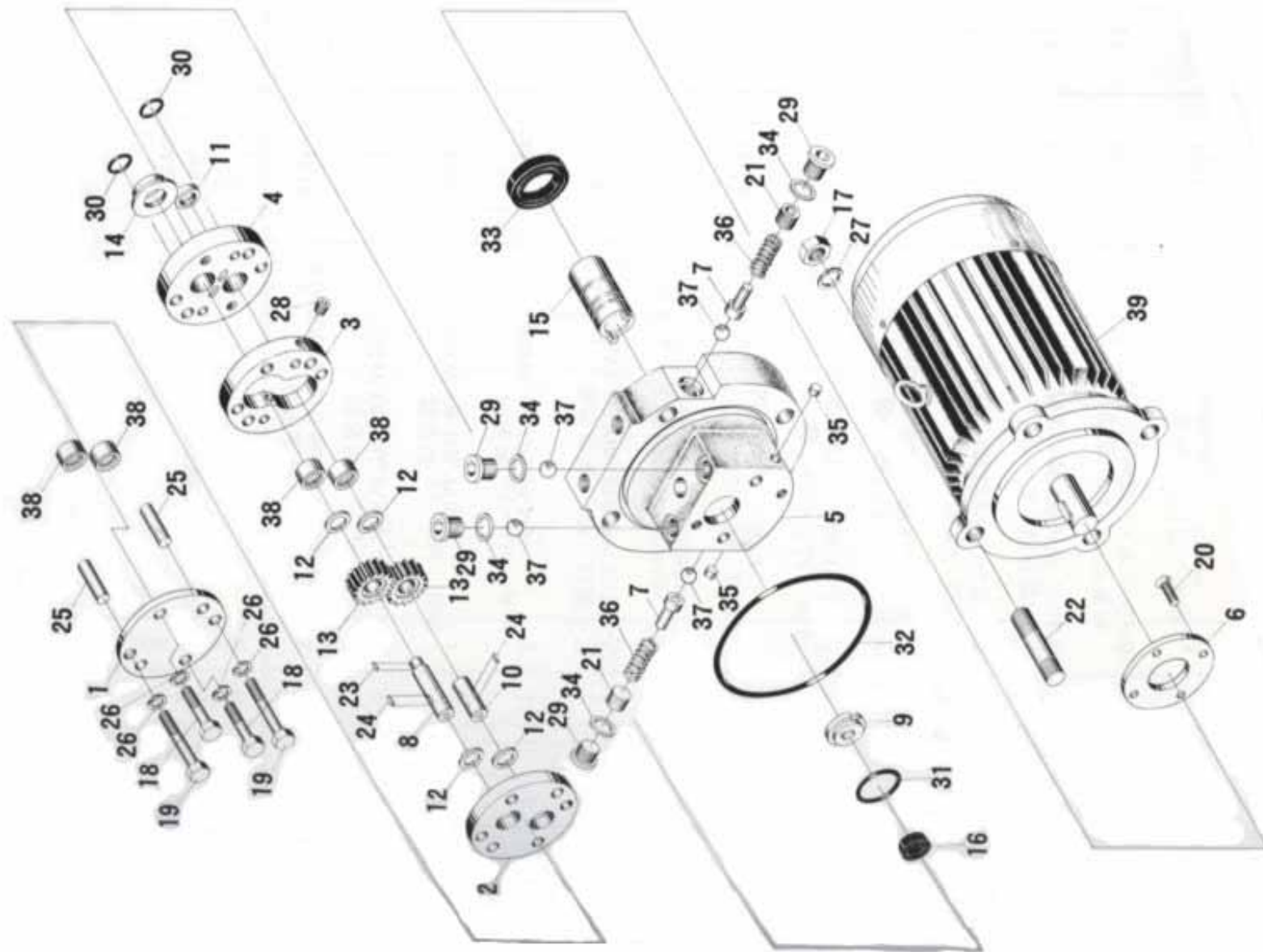
索引Unit No:04-4  
機械操作機構 Operating Mechanism



項次 Index No.	料號 Part No.	圖號 Drawing No.	品名 Part Name	規格 Type (Maker)	數量 Q'ty	備註 Note
1	44950		油管 Oil Pipe		1	
2	44951		油管 Oil Pipe		1	
3	44952		油管 Oil Pipe		1	
4	44953		油管 Oil Pipe		1	
5	44954		油管 Oil Pipe		1	
6	44955		油管 Oil Pipe		1	
7	44956		油管 Oil Pipe		1	
8	44957		油管 Oil Pipe		1	
9	44958		油管 Oil Pipe		1	
10	44959		油管 Oil Pipe		1	
11	44960		油管 Oil Pipe		1	
12	44961		油管 Oil Pipe		1	
13	44962		油管 Oil Pipe		1	
14	44963		油管 Oil Pipe		1	
15	44964		油管 Oil Pipe		1	
16	44965		油管 Oil Pipe		1	
17	44966		油管 Oil Pipe		1	
18	44967		油管 Oil Pipe		1	
19	44968		油管 Oil Pipe		1	
20	44969		油管 Oil Pipe		1	
21	44970		油管 Oil Pipe		1	
22	44971		油管 Oil Pipe		1	
23	44972		油管 Oil Pipe		1	
24	44973		油管 Oil Pipe		1	

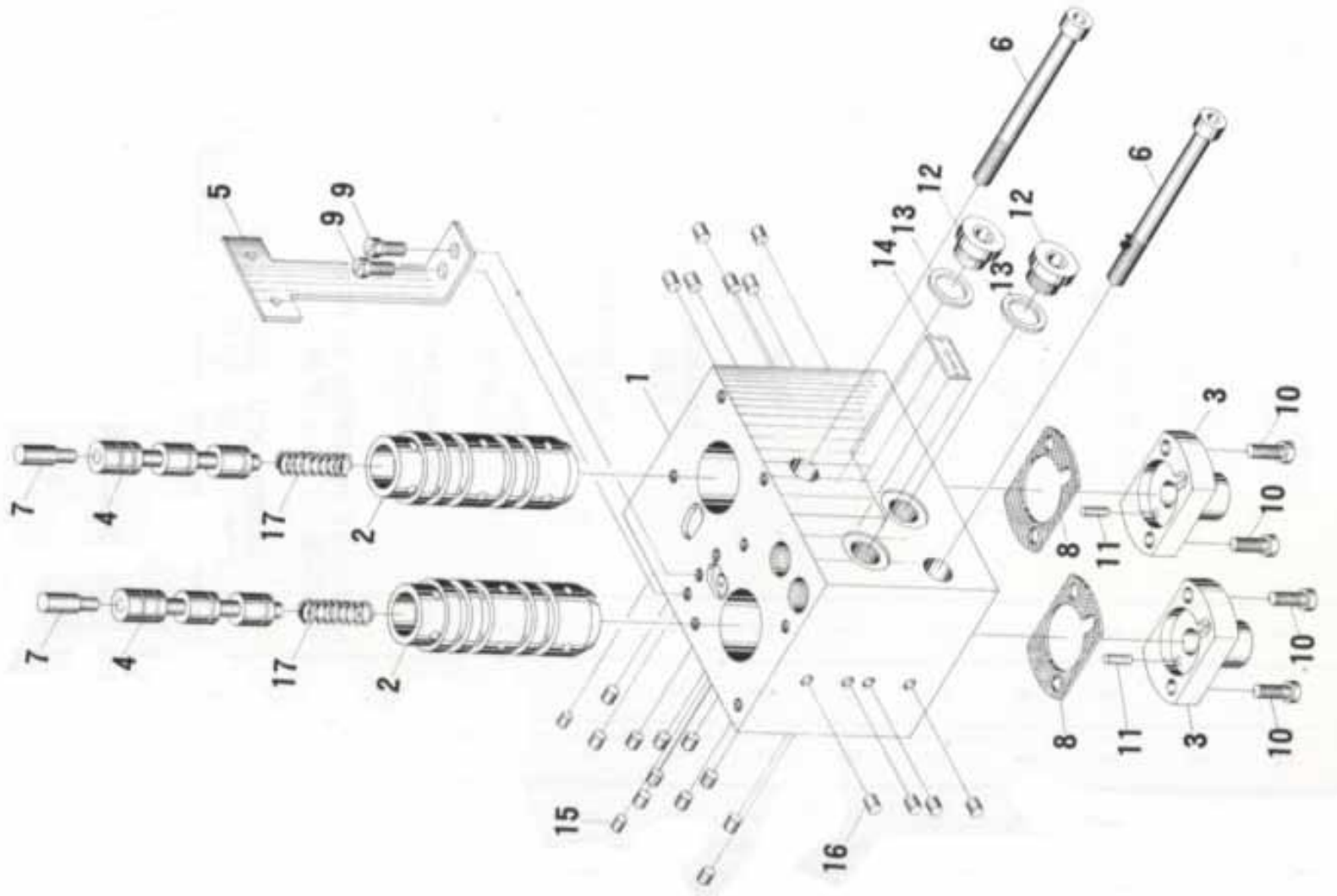




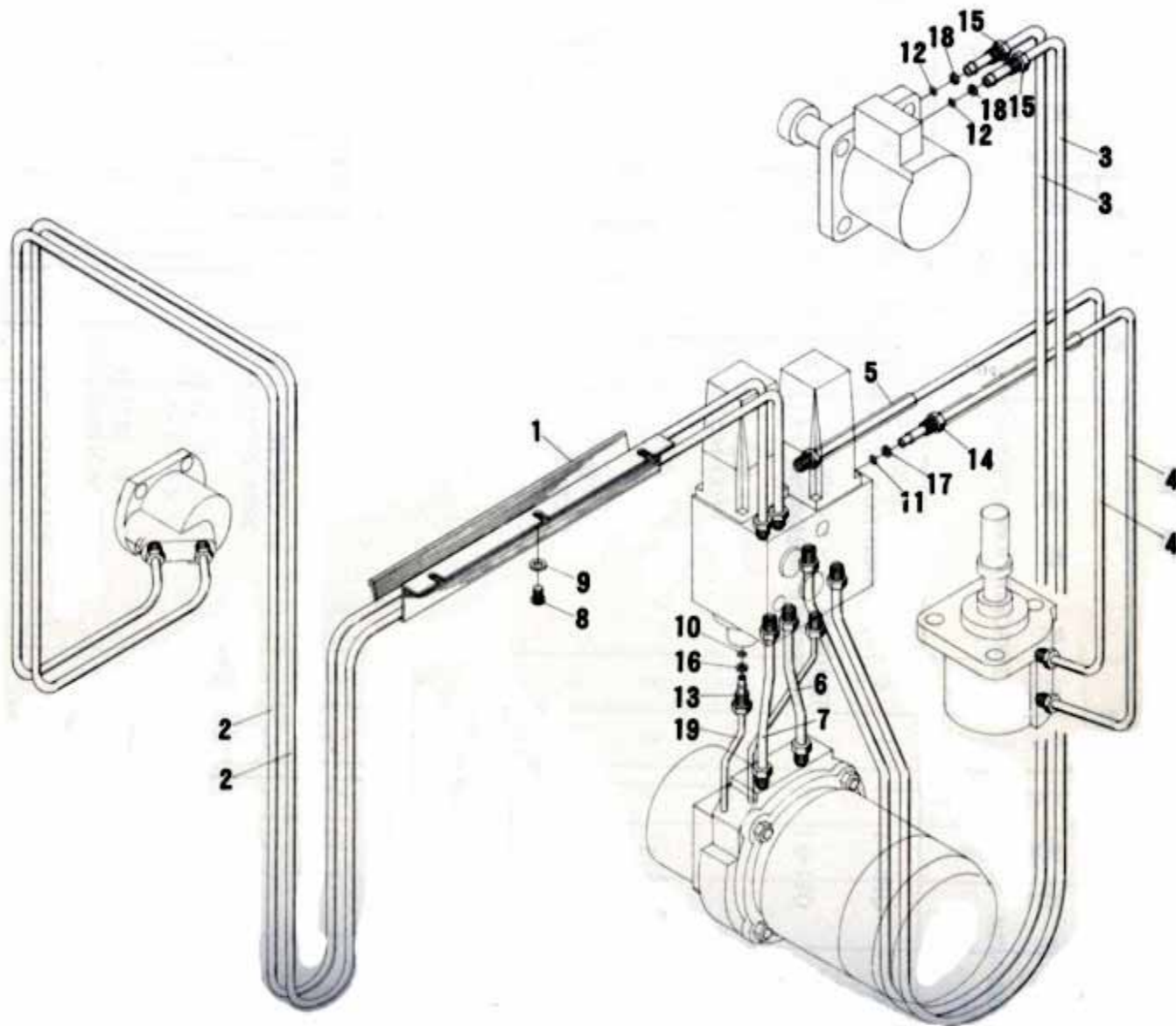


項次 Index No.	料號 Part No.	圖號 Drawing No.	品名 Part Name	規格 Type (Maker)	數量 Q' ty	備註 Note
1	45018		油泵蓋板 Cover Plate For Oil Pump		1	
2	45019		油泵體 Body OF OIL PUMP		1	
3	45020		齒輪油泵 Body OF OIL PUMP		1	
4	45021		油泵體 Body OF OIL PUMP		1	
5	45022A		油泵底座 Seat Of Oil Pump		1	
6	45023		蓋板 Cover		1	
7	45309		軸心 Shafts		2	
8	45310		齒輪軸 Shaft		1	
9	45311		接合套 Joint Sleeve		1	
10	45313		齒輪軸 Small Shaft		1	
11	45314		套筒 Sleeve		1	
12	45315		墊圈 Washers		4	
13	45316		齒輪 Gears		2	
14	45317		油封蓋 Gentring Sleeve		1	
15	45326A		接合套 Joint Sleeve		1	
16	45904		密封圈 Seal Ring		1	
17	J11-2		螺帽 Nuts	M10	4	
18	J21-1		螺栓 Bolt	M8×45	2	
19	J21-1		螺栓 Bolt	M8×65	2	
20	J21-6		埋頭螺栓 Countersunk Head Screws	M6×12	4	
21	J22-9		螺栓 Screws	M16×1.5×16	2	
22	J23-1		螺椿 Studs	M10×60	4	
23	J31-1		雙頭圓鍵 Flat Key	4d <sub>4</sub> ×4×8	1	
24	J31-1		雙頭圓鍵 Flat Keys	4d <sub>4</sub> ×4×10	2	

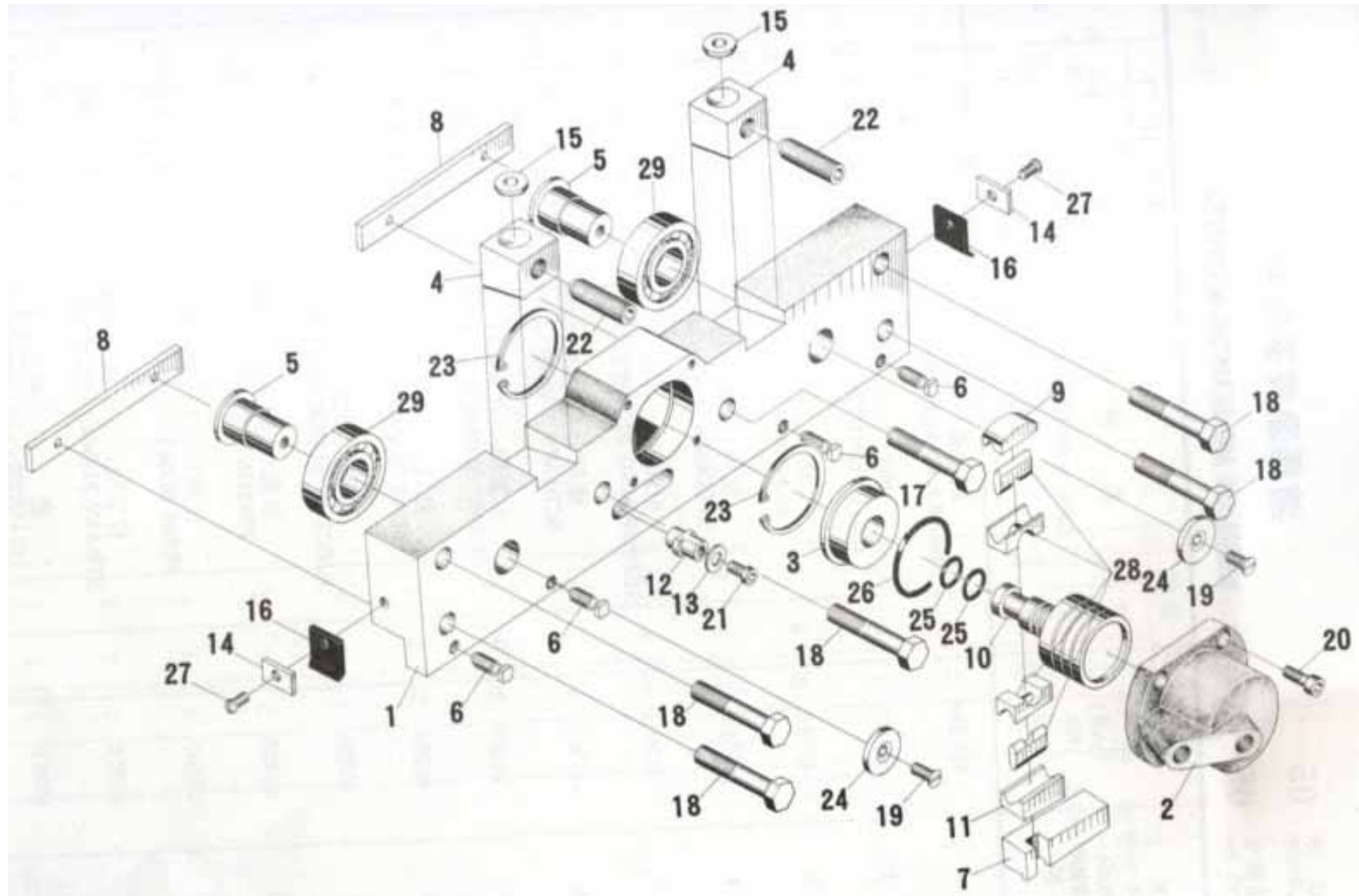




項次 Index No.	料號 Part No.	圖號 Drawing No.	品名 Part Name	規格 Type (Maker)	數量 Q' ty	備註 Note
1	451011A		分油器 Oil Distributor Body		1	
2	451012A		閥套 Valves Bushes		2	
3	451013A		底蓋 Bottom Covers		2	
4	451301A		閥桿 Valve Rods		2	
5	451302A		支板 Support Plate		1	
6	451303A		螺栓 Screws		2	
7	451801A		銷 Pins		2	
8	451901A		墊片 Gaskets		2	
9	J21-8		螺栓 Screws(鋅)	M4×10	2	
10	J21-8		螺栓 Screws	M5×16	4	
11	J44-1		圓柱銷 Cylindrical Pins	4×12	2	
12	G38-4		油塞 Oil Plug	M14×1.5	2	
13	SZSG52-3		墊圈 Sealing Washers	14	2	
14	SZSQ94-2		銘牌 Mark Plate		1	
15	Q56-1		塞頭 Plugs	4	2	
16	Q56-1		塞頭 Plugs	6	21	
17	Q81-1		壓縮彈簧 Pressure Springs	1×8×40	2	



項次 Index No.	料號 Part No.	圖號 Drawing No.	品名 Part Name	規格 Type (Maker)	數量 Q'ty	備註 Note
1	45324A		擋板 Back Plate		1	
2	45951		油管 Oil Pipes		2	
3	45952		油管 Oil Pipes		2	
4	45953		油管 Oil Pipes		2	
5	45956		套管 Drive-Pipes	(White白色)	2	
6	45957A		油管 Oil Pipe		1	
7	45958A		油管 Oil Pipe		1	
8	J21-4		螺栓 Screws	M6x10	3	
9	J51-1		平墊圈 Finishing Washers	6	3	
10	G51-2		O型環 O-Ring	7x1.9	2	
11	G51-2		O型環 O-Ring	9x1.9	4	
12	G51-2		O型環 O-Ring	11x1.9	12	
13	SZSG91-1		管接頭 Pipe Joints	4	2	
14	SZSG91-1		管接頭 Pipe Joints	6	4	
15	SZSG91-1		管接頭 Pipe Joints	8	12	
16	SZSG91-2		連接墊 Gaskets	4	2	
17	SZSG91-2		連接墊 Gaskets	6	4	
18	SZSG91-2		連接墊 Gaskets	8	12	
19	A62-8		尼龍管 Nylon Pipes	4x3 (L=250mm)	2	



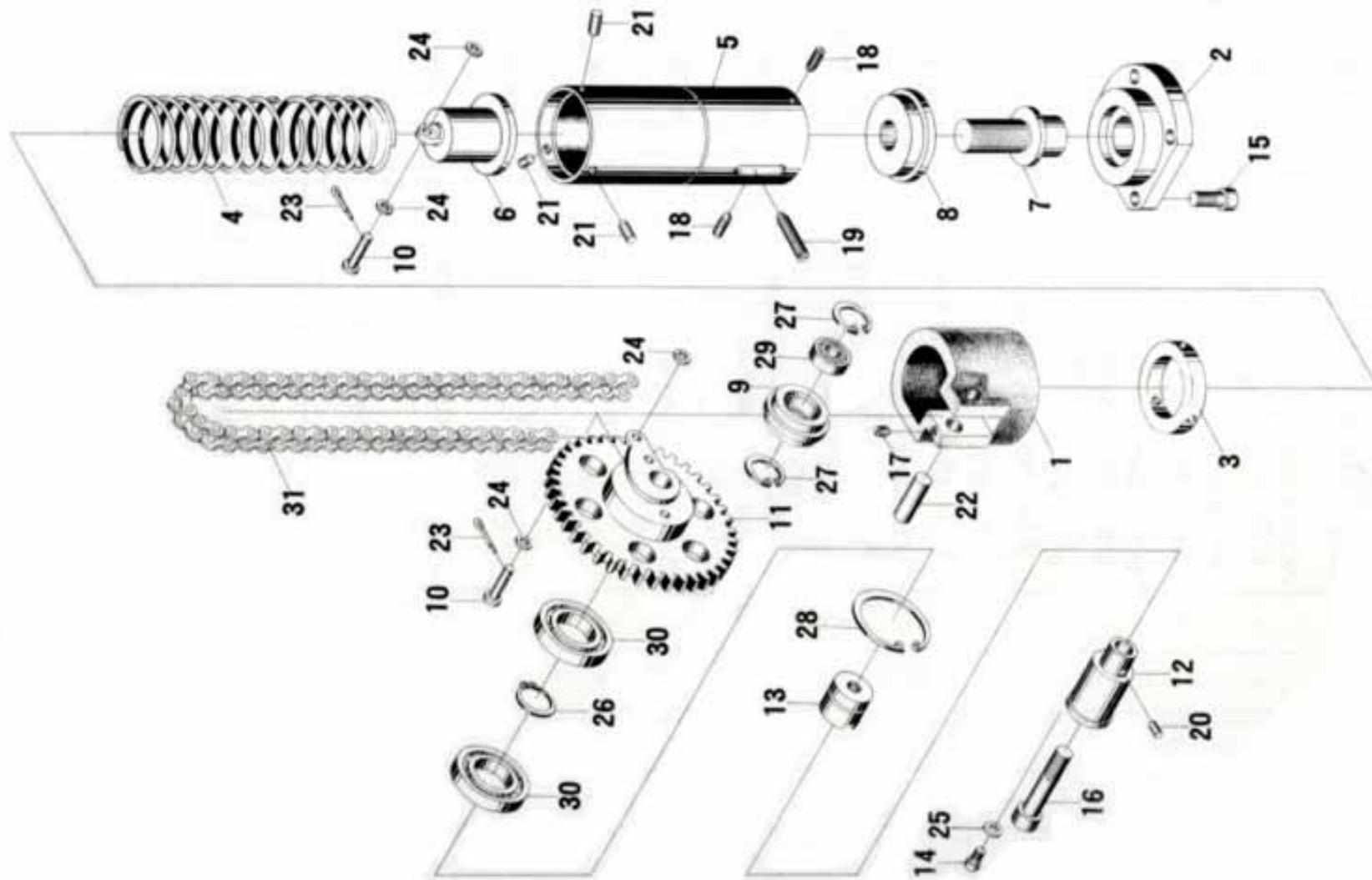


項次 Index No.	料號 Part No.	圖號 Drawing No.	品名 Part Name	規格 Type (Maker)	數量 Q'ty	備註 Note
1	45011A		制動架 Brake Bracket		1	
2	45012		油壓缸 Oil Cylinder		1	
3	45013		套筒 Sleeve		1	
4	45014		楔形塊 Wedges		2	
5	45301		支撐軸 Supporting Shafts		2	
6	45302		螺栓 Screws		4	
7	45303		夾緊塊 Clamp Block		1	
8	45304		墊塊 Bearers		2	
9	45305		頂塊 Ejector Block		1	
10	45306		活塞 Piston		1	
11	45307		壓塊 Push Block		1	
12	45318		拉緊塊 Strain Block		1	
13	45319		墊片 Gasket		1	
14	45321A		墊片 Gaskets		2	
15	45325		墊圈 Washers		2	
16	45901		擋板 Back Plates		2	
17	J21-1		螺栓 Bolt	M10×60	1	
18	J21-1		螺栓 Bolt	M10×65	5	
19	J21-6		埋頭螺栓 Countersunk Head Screws	M6×16	2	
20	J21-9		螺栓 Screws	M6×16	4	
21	J21-9		螺栓 Screw	M8×16	1	
22	J22-9		螺栓 Screws	M16×1.5×50	2	
23	J62-3		C型扣環 Retainer Rings	60	2	
24	J64-1		墊片 Snap Rings	B32	2	



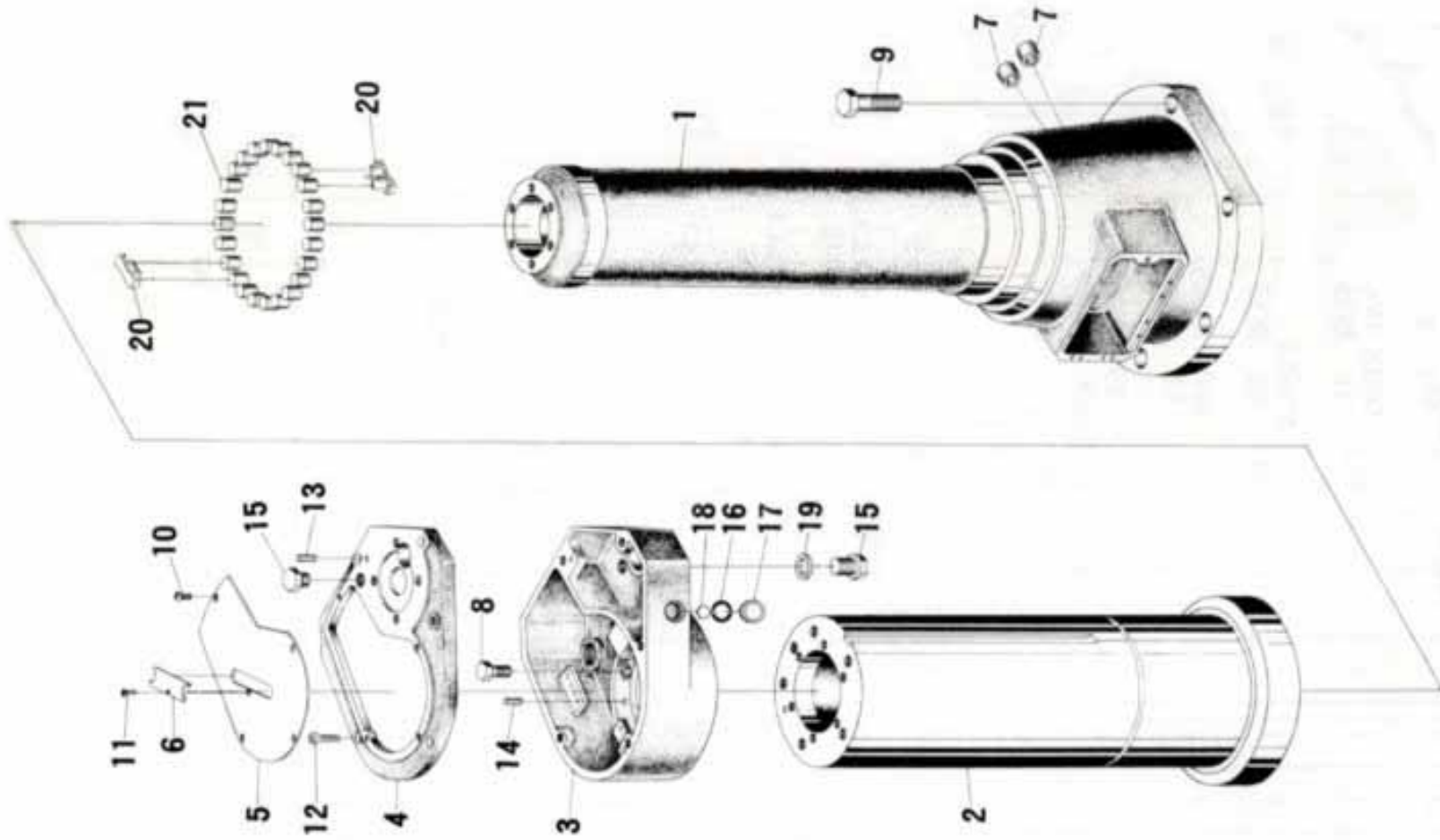


項次 Index No.	料號 Part No.	圖號 Drawing No.	品名 Part Name	規格 Type (Maker)	數量 Q'ty	備註 Note
1	46011		導向套筒 Guiding Sleeve		1	
2	46301		主軸 Spindle		1	
2"	46301B		主軸 Spindle	(MORSE TAPER:#4)	1	
2'	56301		主軸 Spindle		1	
2"	56301B		主軸 Spindle	(MORSE TAPER:#5)	1	
3	46302		墊圈 Washer		1	
4	46304		主軸套筒 Quill		1	
4'	46304B		主軸套筒 Quill		1	
5	46305		墊片 Cover		1	
6	46306		墊圈 Washer		1	
7	46307		螺帽 Nuts		2	
8	56321B		調整圈 Adjusting Pad		1	
9	56322B		C型扣環 Retainer Ring		1	
10	56902B		密封環 Seal Ring		1	
11	J21-9		螺栓 Screws	M8x20	1	
11'	J21-8		螺栓 Screws	M8x16	3	
12	R71-1		油杯 Oil Cup	6	1	
13	GB276-64		軸承 Bearings	D108	1	(For TPR-C1250)
14	GB285-64		軸承 Bearing	3182113	1	(For TPR-C1600)
15	GB301-64		軸承 Bearing	D8108	1	
16	GB301-64		軸承 Bearing	D8112	1	



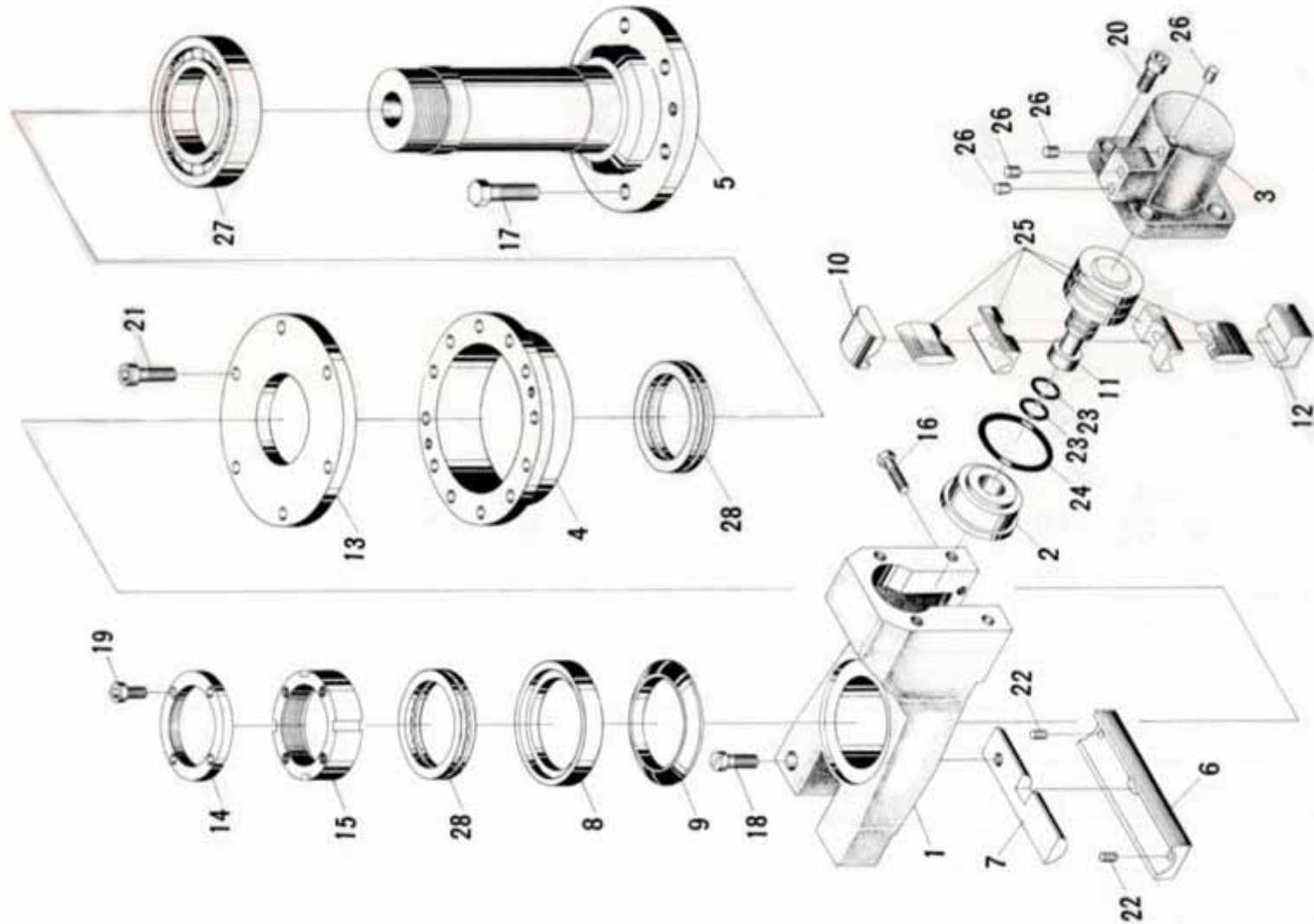
項次 Index No.	料號 Part No.	圖號 Drawing No.	品名 Part Name	規格 Type (Maker)	數量 Q'ty	備註 Note
1	46012		支撐架 Support		1	
2	46013		底座 Support Bracket		1	
3	46308		套筒 Sleeve		1	
4	46309		彈簧 Spring		1	
5	46310		套筒 Quill		1	
6	46311		支撐座 Supporting Bracket		1	
7	46312		調整螺桿 Adjustable Lead screw		1	
8	46313		螺桿座 Screw Bracket		1	
9	46314		鏈輪 Chain Wheel		1	
10	46315		銷 Pins		2	
11	46316		凸輪 Cam		1	
12	46317		軸承 Shaft		1	
13	46318		軸套 Shaft Sleeve		1	
14	J21-8		螺栓 Screws	M6×10	1	
15	J21-9		螺栓 Screws	M8×20	4	
16	J21-9		螺栓 Screw	M8×55	1	
17	J22-4		螺栓 Screws	M6×8	1	
18	J22-4		螺栓 Screws	M6×12	2	
19	J22-6		螺栓 Screws	M8×30	1	
20	J44-1		圓柱銷 Cylindrical Pin	3×6	1	
21	J44-1		圓柱銷 Cylindrical Pins	4×10	3	
22	J44-1		圓柱銷 Cylindrical Pin	10h8×35	1	
23	J44-9		開口銷 Spilt Pins	1.5×12	2	
24	J51-1		墊圈 Washers	4	4	





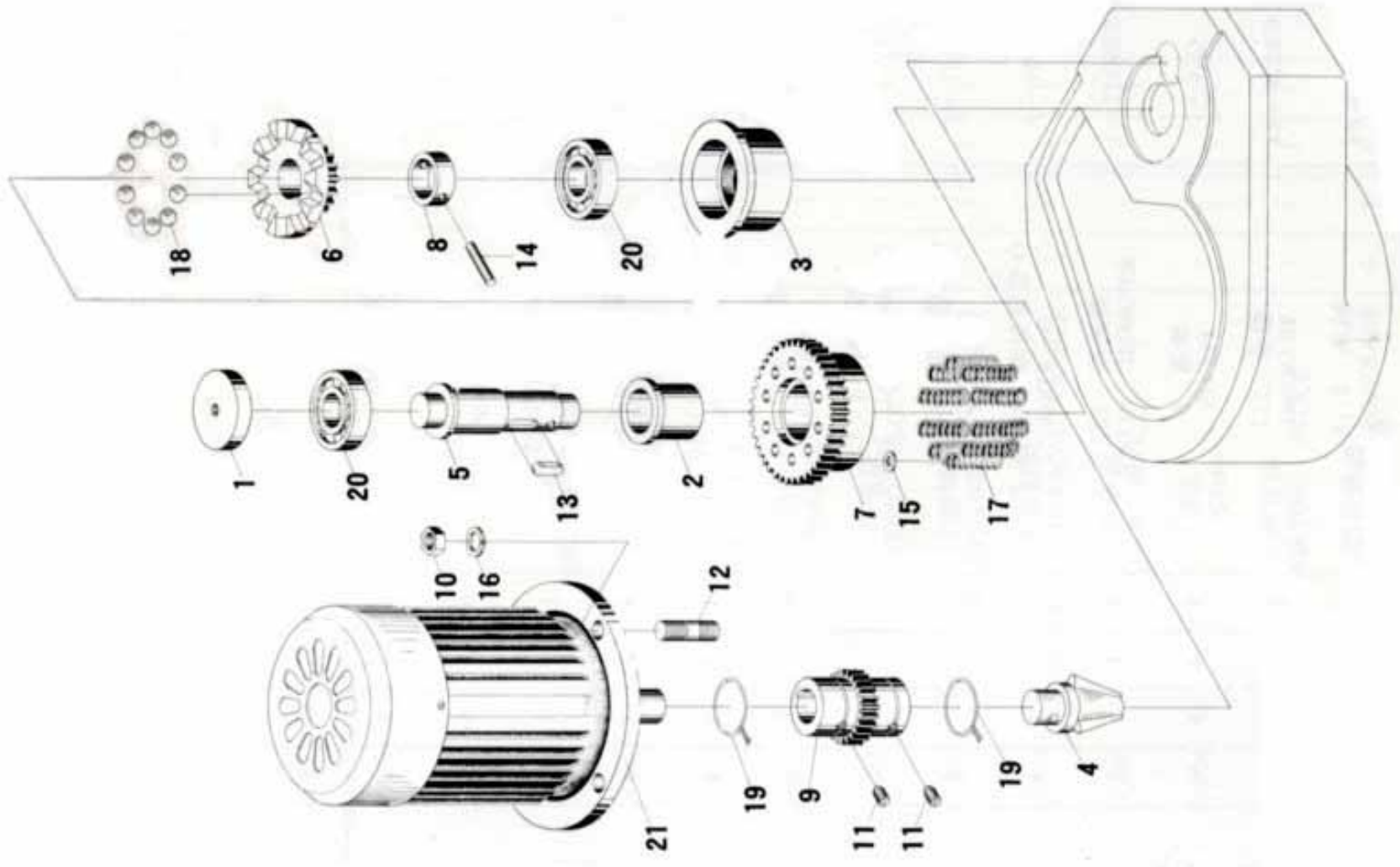


項次 Index No.	料號 Part No.	圖號 Drawing No.	品名 Part Name	規格 Type (Maker)	數量 Q'ty	備註 Note
1	47012A		內柱 Inner Column		1	
2	47013A		外柱 Outer Column		1	
3	47014A		外殼 Shell		1	
4	47030A		上蓋 Cover		1	
5	47305		蓋板 Cover		1	
6	47313		蓋板 Cover		1	
7	47320		套筒 Sleeves		2	
8	J21-1		螺栓 Bolts	M16×50	5	
9	J21-1		螺栓 Bolts	M30×110	6	
10	J21-4		螺栓 Screws	M6×10	4	
11	J21-8		螺栓 Screws	M4×6	1	
12	J21-9		螺栓 Screws	M8×35	5	
13	J44-2		圓柱銷 Cylindrical Pins	A10×40	2	
14	J44-2		圓柱銷 Cylindrical Pin	B10×40	1	
15	G38-2		塞頭 Screw Plug	M16×1.5	2	
16	G51-2		O型環 O-Ring	52×3.5	1	
17	R51-2-91		油標蓋 Cover Of Oil Level	B32	1	
18	R51-3-92		幕板 Curtain Plate	32	1	
19	SZSG52-3		墊圈 Sealing Washer	16	1	
20	SZSQ75-1		分離架 Separator Brackets		24	
21	SZSQ75-2		滾柱 Rollers		24	



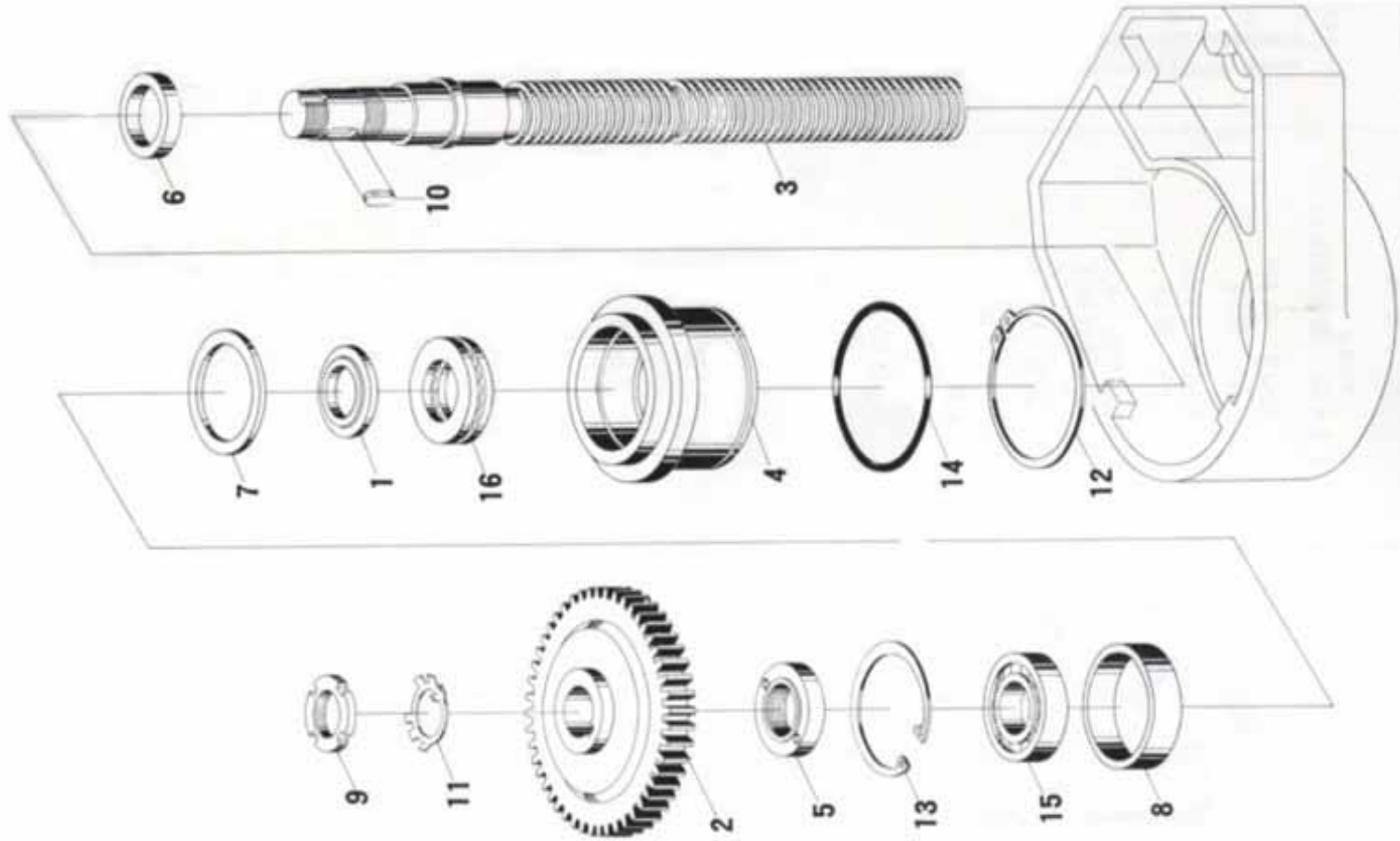
項次 Index No.	料號 Part No.	圖號 Drawing No.	品名 Part Name	規格 Type (Maker)	數量 Q'ty	備註 Note
1	47015		槓桿 Pry Bar		1	
2	47017		套筒 Sleeve		1	
3	47018		油壓缸 Oil Cylinder		1	
4	47019		偏心筒 Eccentric Sleeve		1	
5	47020		柱頂 Capital		1	
6	47021		墊塊 Bearer		1	
7	47301		浮動塊 Floating Block		1	
8	47302		上球面墊 (Upper) Spherical Washer		1	
9	47303		下球面墊 (Lower) Spherical Washer		1	
10	47306		半圓塊 Arch Block		1	
11	47308		活塞 Piston		1	
12	47310		支撐壓塊 Supporting Block		1	
13	47311		圓板彈簧 Disc Spring		1	
14	47325		螺帽 Nut		1	
15	47326		螺帽 Nut		1	
16	J21-1		螺栓 Bolt	M8×40	1	
17	J21-1		螺栓 Bolt	M16×20	6	
18	J21-8		螺栓 Screws	M8×25	1	
19	J21-9		螺栓 Screws	M8×25	4	
20	J21-9		螺栓 Screws	M12×30	4	
21	J21-9		螺栓 Screws	M12×45	6	
22	J44-1		圓柱銷 Cylindrical Pins	4×10	2	
23	G51-2		O型環 O-Ring	30×3.1	2	
24	G51-2		O型環 O-Ring	80×5.7	1	





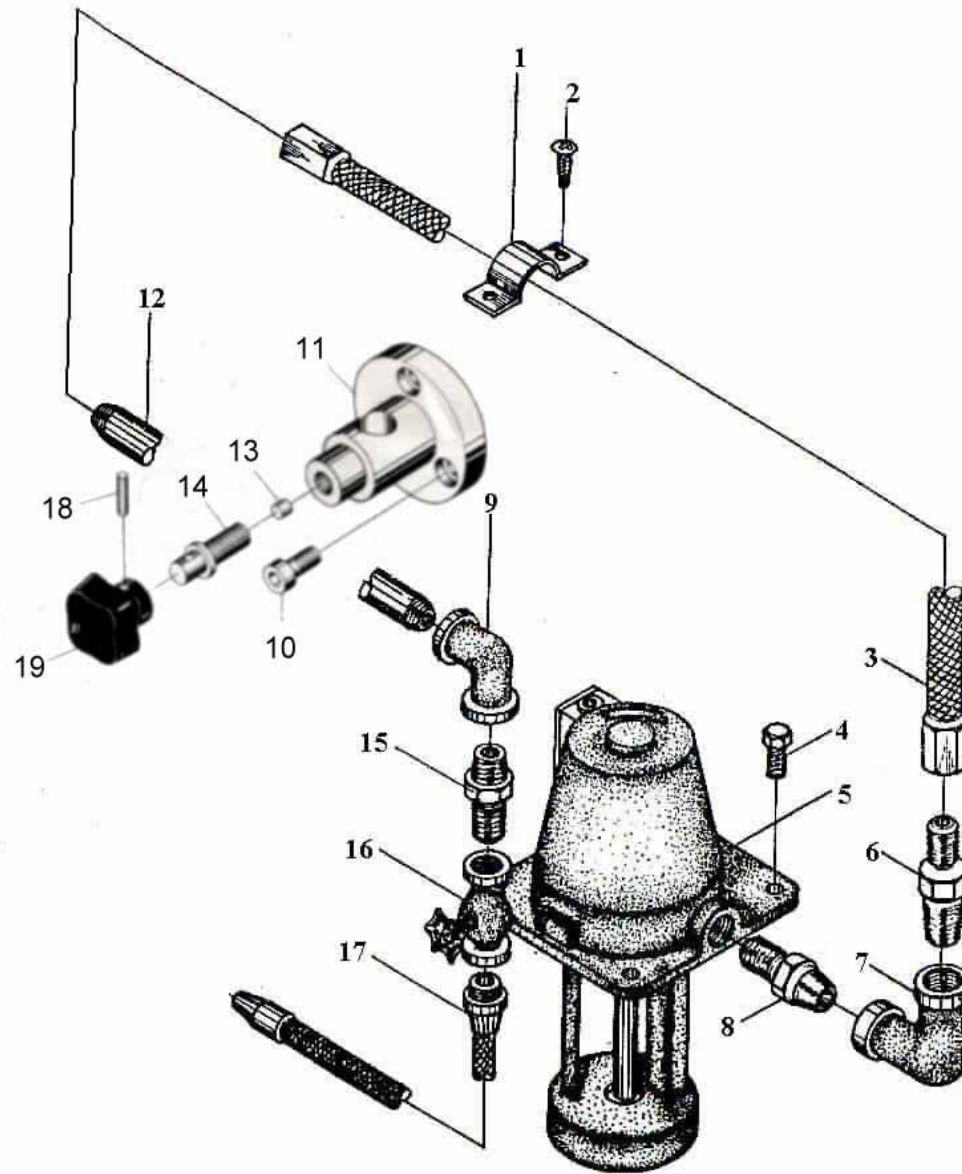
項次 Index No.	料號 Part No.	圖號 Drawing No.	品名 Part Name	規格 Type (Maker)	數量 Q'ty	備註 Note
1	47022		塞頭 Plug		1	
2	47023		軸套 Shaft Sleeve		1	
3	47026		套筒 Sleeve		1	
4	47031A		飛濺器 Splasher		1	
5	47037		軸心 Small Shaft		1	
6	47309		齒輪離合器 Gear Clutch		1	
7	47314		齒輪 Gear		1	
8	47324		墊圈 Washer		1	
9	47338A		齒輪 Gear		1	
10	J11-1		螺帽 Nuts	M10	4	
11	J22-4		螺栓 Screws	M6×16	2	
12	J23-1		螺椿 Studs	M10×25	4	
13	J31-1		雙頭圓鍵 Flat Key	6×6×20	1	
14	J41-1		圓錐銷 Round Taper Pin	4×35	1	
15	J51-1		平墊圈 Finishing Washers	4	20	
16	J54-1		彈簧墊圈 Spring Washers	10	4	
17	Q81-1		壓縮彈簧 Pressure Springs	1.6×10×35	10	
18	GB308-77		鋼球 Steel Ball	7/16" (11.112mm)	10	
19	GB343-82		低碳鋼絲 Low Carbon Wire	Ø1 (L=130mm)	1	
20	GB276-64		軸承 Bearing	204	2	
21	Y90L-4		電動馬達 Electric Motor	(N=1.5Kw)	1	

索引Unit No:07-4  
臂柱機構 Column mechanism



項次 Index No.	料號 Part No.	圖號 Drawing No.	品名 Part Name	規格 Type (Maker)	數量 Q'ty	備註 Note
1	47025		墊圈 Washer		1	
2	47315		齒輪 Gear		1	
3	47317		導螺桿 Lead Screw		1	
4	47318		軸承座 Bearing Seat		1	
5	47319		螺帽 Nut		1	
6	47323		墊圈 Washer		1	
7	47327		墊片 Gasket		1	
8	47328		套筒 Sleeve		1	
9	J14-4		鎖緊螺帽 Round Nut		1	
10	J31-1		雙頭圓鍵 Flat Key	8x7x20	1	
11	J55-1		鎖緊螺帽墊圈 Stop Washer	27	1	
12	J62-2		C型扣環 Retainer Ring	85	1	
13	J62-3		C型扣環 Retainer Ring	70	1	
14	G51-2		O型環 O-Ring	95x3.1	1	
15	GB276-64		軸承 Bearing	206	1	
16	GB301-64		軸承 Bearing	8207	1	





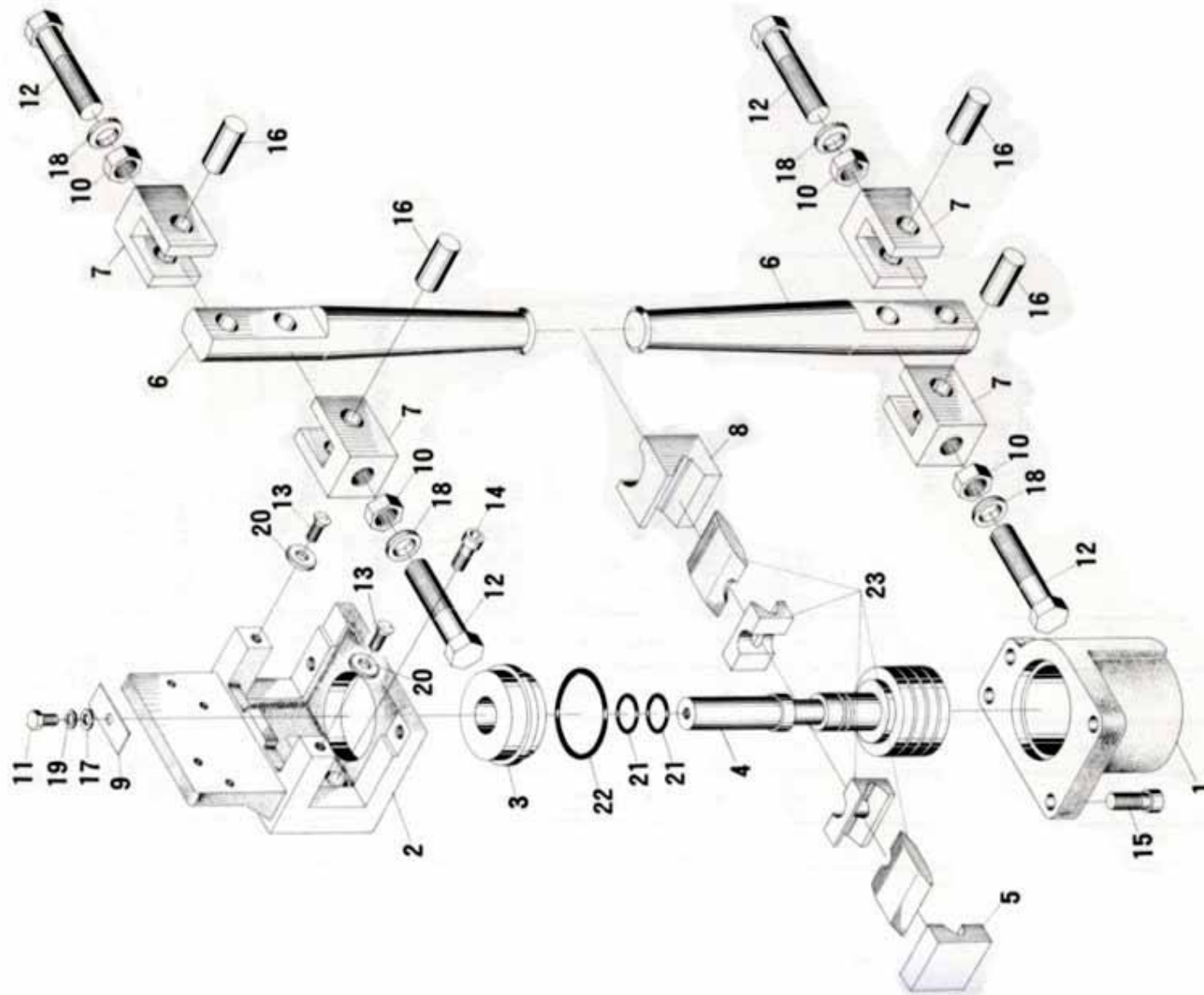
項次 Index No.	料號 Part No.	圖號 Drawing No.	品名 Part Name	規格 Type (Maker)	數量 Q'ty	備註 Note
1			固定片 Fixed blade	UC-5	2	
2			十字螺絲 Cross Screw	3/16"*3/8"L	4	
3			軟管 Hose	3/8"*130"L	1	
4			六角螺絲 Hex. Screw	M6*16L	4	
5	AOB-25		冷卻泵 Cooling Pump	1/8"*150L	1	
6			接頭 Fitting	PT3/8"*PS3/8"	5	
7			彎頭 Elbow	PT3/8"*90°	4	
8			接頭 Fitting	PT3/8"*PT3/8"	1	
9			彎頭 Elbow	PT3/8"*90°	1	
10	J21-9		螺栓 Screws	M6×16	3	
11	47207A		冷卻支架 Cooling Support		1	
12			套筒 Tube	3/8"*15"L	1	
13	J51-9		墊塊 Bearer	4×3.5	1	
14	47332A		螺栓 Screw		1	
15			接頭 Fitting	PT3/8"*PT3/8"	1	
16			銅閥 Brass valve	3/8"	1	
17			冷卻軟管 Cooling liquid hose	3/8"*450L	1	
18	J41-1		圓錐銷 Round Taper Pins	3×18	2	
19	Z64-3		十字把手 CROSS HANDLES		1	



項次 Index No.	料號 Part No.	圖號 Drawing No.	品名 Part Name	規格 Type (Maker)	數量 Q'ty	備註 Note
1	45230		固定板 Back Plate		1	
2	48011ASB		旋臂 Radial Arm (TPR-C1600)		1	
3	48012		壓蓋 Cover		1	
4	48013		螺帽 Nut		1	
5	48019		壓環 Pressuring Rings	(Bluing)	2	
5'	48024A		壓環 Pressuring Rings	(Electro- Plating)	2	
6	48020A		壓環 Pressuring Rings	(Bluing)	2	
6'	48022A		壓環 Pressuring Rings	(Electro- Plating)	2	
7	48023A		端蓋 End Cover		1	
8	48301		齒條 Racks		3	
9	48304A		撞桿 Limit Bar		1	
10	48305		螺栓 Screw		1	
11	48306		套筒 Sleeve		1	
12	48307		墊圈 Washer		1	
13	48311		螺帽 Nut		1	
14	48312		撞銷 Limit Pin		1	
15	48313		導向鍵 Guiding Key		1	
16	48315		左電器箱蓋 Cover Of Electric Cabinet	(Left)	1	
17	48316		右電器箱蓋 Cover Of Electric Cabinet	(Right)	1	
18	48340A		鉸鍊 Folding Plates		2	
19	48341A		蓋板 Cover		1	
20	48342A		栓塞 Plug Plate		1	
21	48803A		銘牌 Mark Plate		1	
22	48901		墊塊 Felt Pads		2	

項次 Index No.	料號 Part No.	圖號 Drawing No.	品名 Part Name	規格 Type (Maker)	數量 Q'ty	備註 Note
23	48902		定位塊 Back Block		1	
24	48903		塞頭 Plug		1	
25	48910		防塵套環 Dust Rings		2	
26	48911		墊套 Felt Pad		1	
27	48929ASB		密封墊 Seal Pads		2	
28	48930ASB		密封墊 Seal Pad		1	
29	48931ASB		密封墊 Seal Pad		1	
30	J11-1		螺帽 Nuts	M6	2	
31	J21-4		螺栓 Screws	M4x5	2	
32	J21-4		螺栓 Screws	M6x10	4	
33	J21-6		埋頭螺栓 Countersunk Head Screws		20	
34	J21-8		螺栓 Screws	M6x25	6	
35	J21-8		螺栓 Screws	M8x22	16	
36	J21-9		螺栓 Screws	M6x55	2	
37	J21-9		螺栓 Screws	M6x16	2	
38	J21-9		螺栓 Screws	M6x20	6	
39	J21-9		螺栓 Screws	M10x30	4	
40	J21-9		螺栓 Screws	M12x30	6	
41	J22-4		螺栓 Screws	M6x16	2	
42	J41-1		圓柱銷 Cylindrical Pins	6x25	3	
43	J41-2		圓柱銷 Cylindrical Pin	8x45	1	
44	J44-1		圓柱銷 Cylindrical Pin	2x12	1	
45	J44-1		圓柱銷 Cylindrical Pin	4x18	1	
46	J51-1		平墊圈(鋅) Finishing Washers Zinc	6	2	

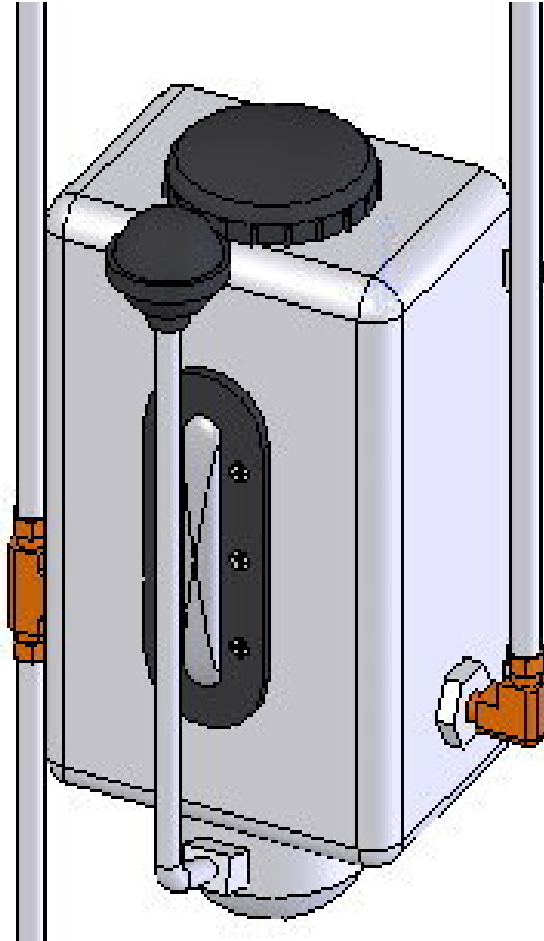




項次 Index No.	料號 Part No.	圖號 Drawing No.	品名 Part Name	規格 Type (Maker)	數量 Q'ty	備註 Note
1	48014A		油壓缸 Oil Cylinder		1	
2	48015		油壓缸架 Support Of Cylinder		1	
3	48016		套筒 Sleeve		1	
4	48302		活塞 Piston		1	
5	48303		壓塊 Pushing Block		1	
6	48308		壓桿 Clamping Bars		2	
7	48309		拉桿 Links		4	
8	48310		頂塊 Back Block		1	
9	49301		彈簧片 Spring Disc		1	
10	J11-1		螺帽 Nuts	M16	4	
11	J21-1		螺栓 Bolt	M6×12	1	
12	J21-1		螺栓 Bolt	M16×75	4	
13	J21-6		埋頭螺栓 Countersunk Head Screws	M6×16	2	
14	J21-9		螺栓 Screws	M8×20	2	
15	J21-9		螺栓 Screws	M10×30	4	
16	J44-1		圓柱銷 Cylindrical Pins Hard	16×40	4	
17	J51-1		平墊圈(鋅) Finishing Washer Zinc	6	1	
18	J53-1		球面墊圈 Spherical Washers	16	4	
19	J54-1		彈簧墊圈 Spring Washer Zinc	6	1	
20	J64-1		墊圈 Snap Rings	B32	2	
21	G51-2		O型環 O-Ring	25×2.4	2	
22	G51-2		O型環 O-Ring	65×3.1	1	
23	SZSQ32-1		菱形塊 Rhombic Block	120	1	

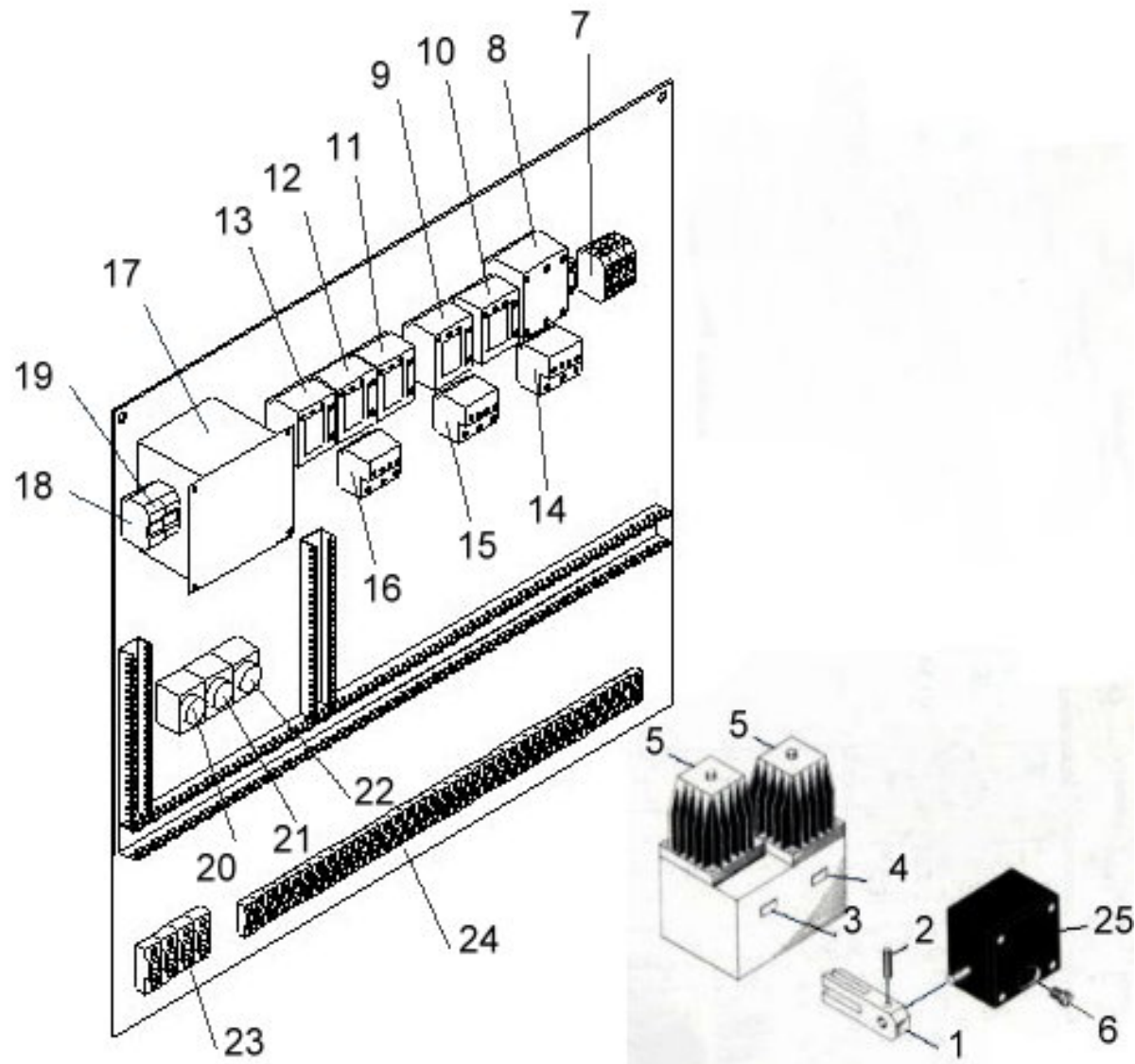


索引Unit No:08-3  
旋臂潤滑機構 Arm lubricating device





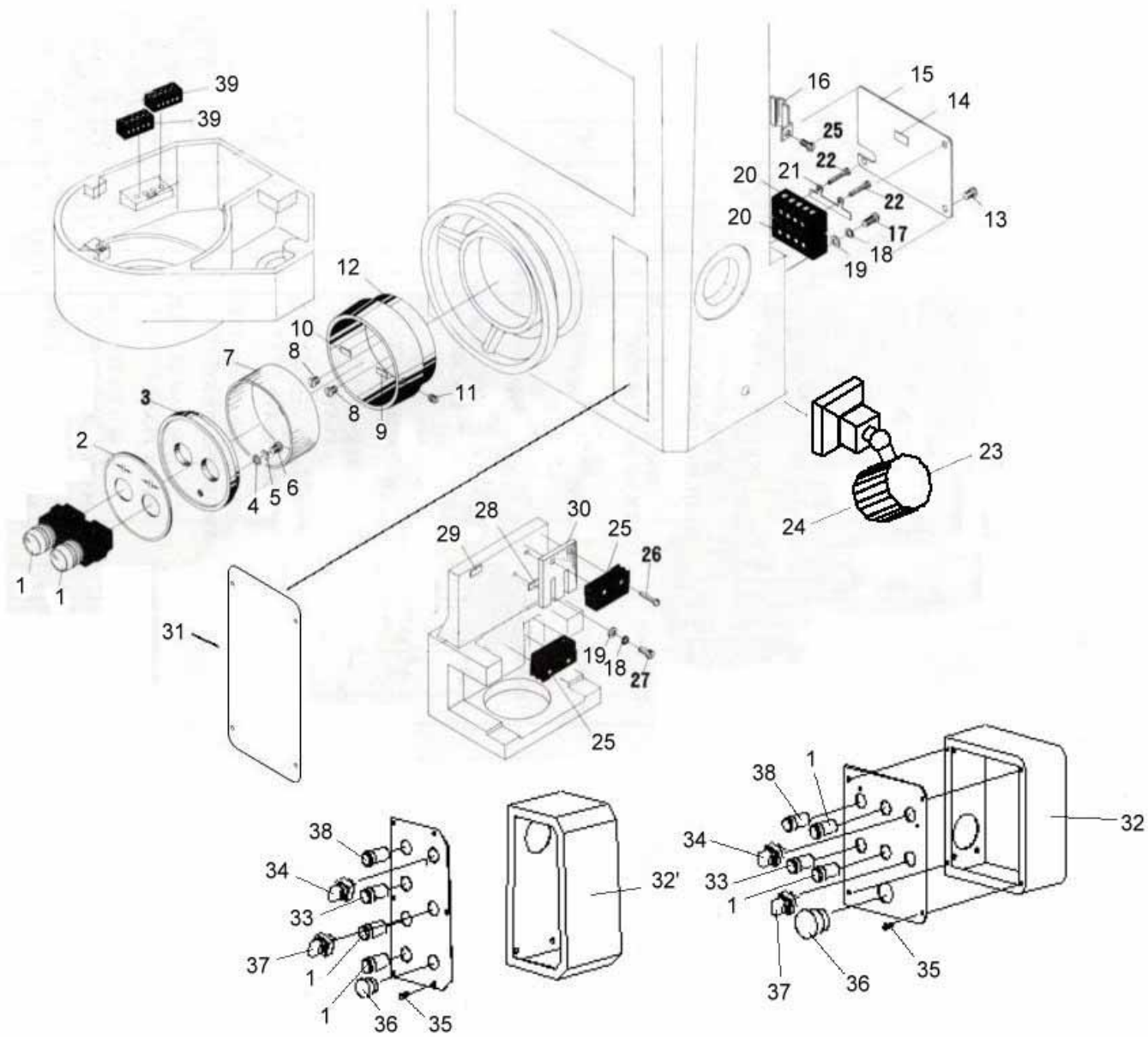
索引Unit No:09-1  
電器系統 ELECTRICAL SYSTEM



項次 Index No.	料號 Part No.	圖號 Drawing No.	品名 Part Name	規格 Type (Maker)	數量 Q' ty	備註 Note
1	49311		分歧塊 SHIFTING FORK		1	only for C1600,C1250
2	J41-1		圓柱銷 CYLINDRICAL PIN	3*20	1	only for C1600,C1250
3	S2Q91-8		銘牌 MARK PLATE	B62-YA1	1	
4	S2Q91-8		銘牌 MARK PLATE	B62-YA2	1	
5	MFJ1-3		電磁鐵 ELFCTROMAGNETIC IRONS		2	
6	J21-8		螺釘 SCREWS ZINC	M4*12	3	only for C1600,C1250
7	NFB		無熔絲開關 Circuit Switch	3P. (Amperage by regional)	1	
8	MS1		電磁接觸器 Magnetic Contact	CN25 110V	1	only for C2500
8A	MS1		電磁接觸器 Magnetic Contact	CN18 110V	1	only for C1600,C1250
9	MS2		電磁接觸器 Magnetic Contact	CN18 110V	1	only for C2500
9A	MS2		電磁接觸器 Magnetic Contact	CN11 3a1b 110V	1	only for C1600,C1250
10	MS3		電磁接觸器 Magnetic Contact	CN18 110V	1	only for C2500
10A	MS3		電磁接觸器 Magnetic Contact	CN11 3a1b 110V	1	only for C1600,C1250
11	MS4		電磁接觸器 Magnetic Contact	CN11 3a1b 110V	1	
12	MS5		電磁接觸器 Magnetic Contact	CN11 3a1b 110V	1	
13	MS6		電磁接觸器 Magnetic Contact	CN11 3a1b 110V	1	
14	OL1		負載繼電器 Terminal relay	RHN-80Kz 23~32A (for 200~230V)	1	only for C2500
14A	OL1		負載繼電器 Terminal relay	RHN-80Kz 17~25A (for 380~460V)	1	only for C2500
14B	OL1		負載繼電器 Terminal relay	RH18/15(for 220~240V)	1	only for C1600,C1250
14C	OL1		負載繼電器 Terminal relay	RH18/10M(for 380~480V)	1	only for C1600,C1250
15	OL2		負載繼電器 Terminal relay	RHN-18 16~32A(for 200~230V)	1	only for C2500
15A	OL2		負載繼電器 Terminal relay	RHN-18 8.5~12.5A(for 380~460V)	1	only for C2500
15B	OL2		負載繼電器 Terminal relay	RH18/7(for 220~240V)	1	only for C1600,C1250
15C	OL2		負載繼電器 Terminal relay	RH18/4M(for 380~480V)	1	only for C1600,C1250

項次 Index No.	料號 Part No.	圖號 Drawing No.	品名 Part Name	規格 Type (Maker)	數量 Q' ty	備註 Note
16	OL3		負載繼電器 Terminal relay	RHN-10K 3.5~5A(for 200~230V)	1	only for C2500
16A	OL3		負載繼電器 Terminal relay	RHN-10K 1.4~2.1A(for 380~460V)	1	only for C2500
16B	OL3		負載繼電器 Terminal relay	RH18/4(220~240V)	1	only for C1600,C1250
16C	OL3		負載繼電器 Terminal relay	RH18/1.7M(for 380~480V)	1	only for C1600,C1250
17	PT		變壓器 Transformer	500VA	1	only for C2500
17A	PT		變壓器 Transformer	250VA	1	only for C1600,C1250
18	Fu		保險絲座 Fuse block	By regional	2	
19	FU		保險絲 Fuse	By regional	2	
20	KT1		延遲繼電器 Timer Relay	CN11 3a1b 110V+LA3DR0	1	0.1~3 sec.
21	KT2		延遲繼電器 Timer Relay	CN11 3a1b 110V+LA3DR0	1	0.1~3 sec.
22	KT3		瞬遲繼電器 Timer Relay	CN11 3a1b 110V+LA2DT2	1	0.1~3 sec.
23			端子座 Terminal block	4p 50A	1	only for C2500
24			端子座 Terminal block	Ta020*40P	1	only for C2500
24A			端子座 Terminal block	Ta020*45P	1	only for C1600,C1250
25	SQ1a1b		組合開關 Travel Switch	X2	2	only for C2500
25A	SQ1a1b		組合開關 Travel Switch	HZ4-22	1	only for C1600,C1250
26			鐵板 Metal plate	3t*700*480	1	only for C2500
26A			鐵板 Metal plate	3t*670*320	1	only for C1600,C1250

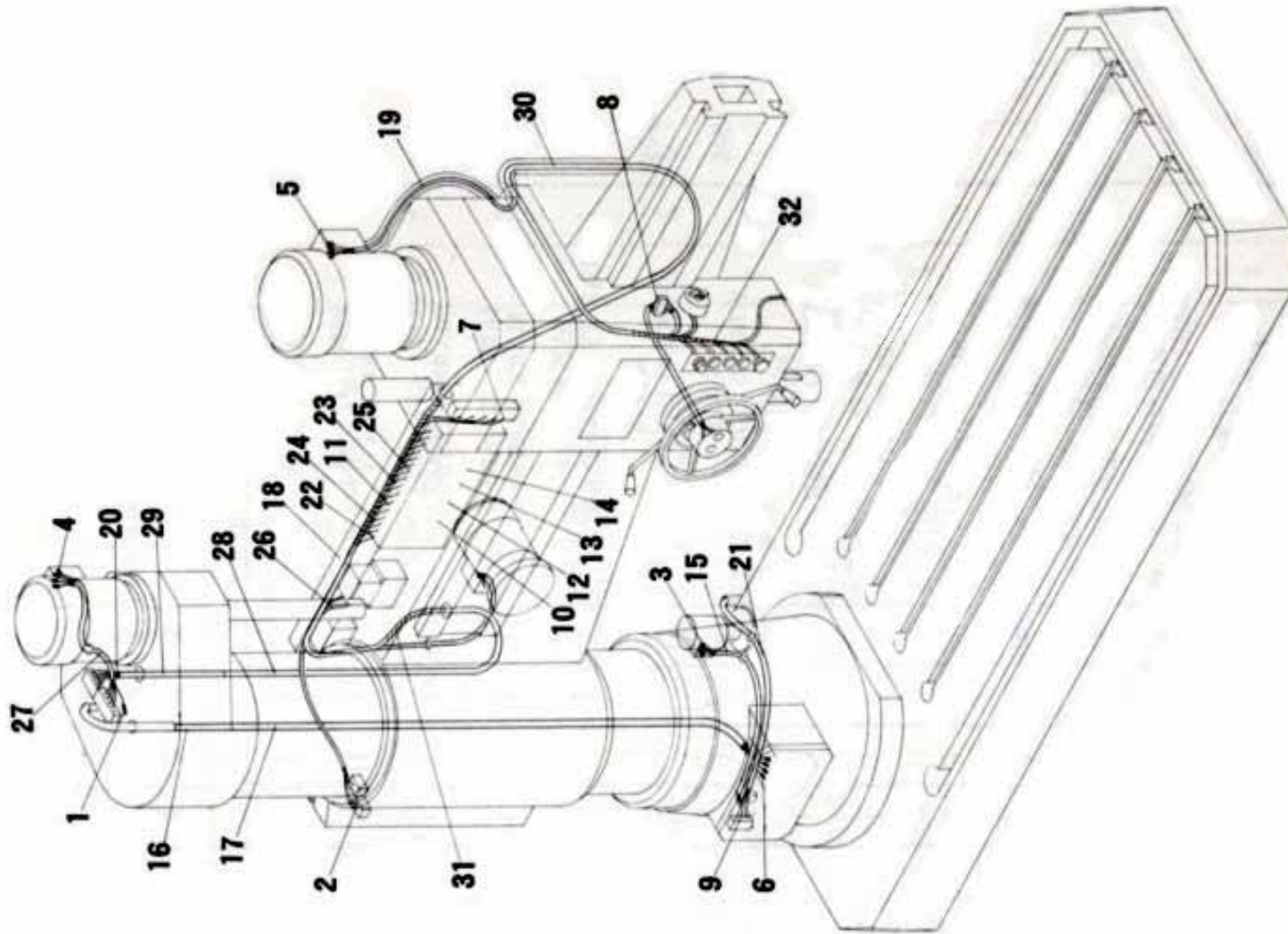
索引Unit No:09-2  
電器系統 ELECTRICAL SYSTEM



項次 Index No.	料號 Part No.	圖號 Drawing No.	品名 Part Name	規格 Type (Maker)	數量 Q'ty	備註 Note
1	SB4~SB7		旋鈕 PUSH BUTTON	ZB4BA2+ZB4-BZ105	4	
2	49805ASB		銘牌 MARK PLATE		1	
3	49014ASB		按鈕盒蓋 COVER OF BUTTON BOX		1	
4	J51-1		平墊圈 鋅3 FINISHING WASHER ZINC		1	
5	J54-1		彈簧墊圈 (鋅) SPRING WASHER ZINC	3	1	
6	J21-4		螺釘 (鋅) SCREW ZINC	M3*16	1	
7	49901ASB		絕緣套 INSULATION COVERING		1	
8	J21-6		沉頭螺釘 (鋅) COUNTERSUNK SCREW ZINC	M4*8	2	
9	S <sub>2</sub> Q91-8		標牌 MARK PLATE	42-SB6	1	
10	S <sub>2</sub> Q91-8		標牌 MARK PLATE	42-SB7	1	
11	J22-4		螺釘 (鋅) SCREW	M4*6	1	
12	49012ASB		按鈕盒 PUSH BUTTON BOX		1	
13	J21-4		螺釘 (鋅) SCREW ZINC	M5*8	3	
14	S <sub>2</sub> Q91-8		標牌 MARK PLATE	611-XT1	1	
15	49312		蓋板 COVER		1	
16	49313		管夾 PIPE CLAMP		1	
17	J21-4		螺釘 (鋅) SCREW ZINC	M5*12	1	
18	J54-1		彈簧墊圈 (鋅) SPRING WASHER ZINC	5	5	
19	J51-1		平墊圈 鋅5 FINISHING WASHER ZINC		5	
20	JX3-0505		接線座 WIRING HOLDER		2	
21	SZSD83-1		電線支架 5 SUPPORTS OF WIRE SIZE		2	
22	J21-8		沉頭螺釘 (鋅) SCREW ZINC	M3*16	4	
23	A-L301C		工作燈 WORK LAMP	A-L301C	1	
24			安全燈泡 SAFETY BULB	24V,20W	1	

項次 Index No.	料號 Part No.	圖號 Drawing No.	品名 Part Name	規格 Type (Maker)	數量 Q'ty	備註 Note
25	Mj2-1704		極限開關 LIMITE SWITCHES	Mj2-1704	2	
26	J21-8		螺釘 (鋅) SCREW ZINC	M4*25	4	
27	J21-8		螺釘 (鋅) SCREW ZINC	M5*16	4	
28	S <sub>2</sub> Q91-8		標牌 MARK PLATE	B44-SQ3	1	
29	S <sub>2</sub> Q91-8		標牌 MARK PLATE	B44-SQ2	1	
30	49302		調整板 ADJUSTING DISKS		2	
31			蓋板 COVER		1	
32			電控箱 CONTROL BOX		1	only for C2500
32'			電控箱 CONTROL BOX		1	only for C1250,C1600
33	SB3		照光式按鈕壓扣開關 Push Button	YK22 110V green	1	
34	SS1		選擇開關 Slection switch	YK22 1A1B	1	
35			螺栓 SCREW	M5*12	4	
36	SB1		緊急按鈕 E-STOP	XB4-BS542	1	
37	SS2		選擇開關 Slection switch	ZB4BD3+ZB4-BZ104	1	
38	SB2		按鈕 PUSH BUTTON	ZB4-BA1+ZB4-BZ102	1	
39	AVK16		接線座 WIRING HOLDER		2	only for C2500





項次 Index No.	料號 Part No.	圖號 Drawing No.	品名 Part Name	規格 Type (Maker)	數量 Q'ty	備註 Note
1	D80-1		接頭 TERMINALS	IT25-2	30	
2	D82-1		端頭 TERMINALS	OT1-3	20	
3	D82-1		端頭 TERMINALS	OT1-4	50	
4	D82-1		端頭 TERMINALS	OT2.5-5	10	
5	D82-1		端頭 TERMINALS	OT2.5-6	10	
6	D82-1		端頭 TERMINALS	OT4-5	10	
7	D82-1		端頭 TERMINALS	OT4-6	10	
8	D82-1		接頭 TERMINALS	IT1-2	200	
9	D82-1		接頭 TERMINALS	IT4-3	10	
10	D82-1		接頭 TERMINALS	UT1-3	130	
11	D82-1		接頭 TERMINALS	UT2.5-5	10	
12	AVR		電線(RED) ELECTRIC WIRE	0.5mm <sup>2</sup> x10m	1	
13	BVR		電線(RED) ELECTRIC WIRE	0.75mm <sup>2</sup> x100m	1	
14	BVR		電線(YELLOW GREEN) ELECTRIC WIRE	1mm <sup>2</sup> x30m	1	
15	BVR		電線(BLACK) ELECTRIC WIRE	1mm <sup>2</sup> x60m	1	
16	BVR		電線(WHITE) ELECTRIC WIRE	1mm <sup>2</sup> x30m	1	
17	BVR		電線(RED) ELECTRIC WIRE	1mm <sup>2</sup> x100m	1	
18	BVR		電線(YELLOW GREEN) ELECTRIC WIRE	2.5mm <sup>2</sup> x10m	1	
19	BVR		電線(BLACK) ELECTRIC WIRE	2.5mm <sup>2</sup> x30m	1	
20	BVR		電線(YELLOW GREEN) ELECTRIC WIRE	4mm <sup>2</sup> x10m	1	
21	BVR		電線(BLACK) ELECTRIC WIRE	4mm <sup>2</sup> x30m	1	
22	A62-2		塑膠軟管 PLASTIC SOFT PIPE	Ø2.5x10m	1	
23	A62-2		塑膠軟管 PLASTIC SOFT PIPE	Ø3x1.5m	1	
24	A62-2		塑膠軟管 PLASTIC SOFT PIPE	Ø4x1.5m	1	



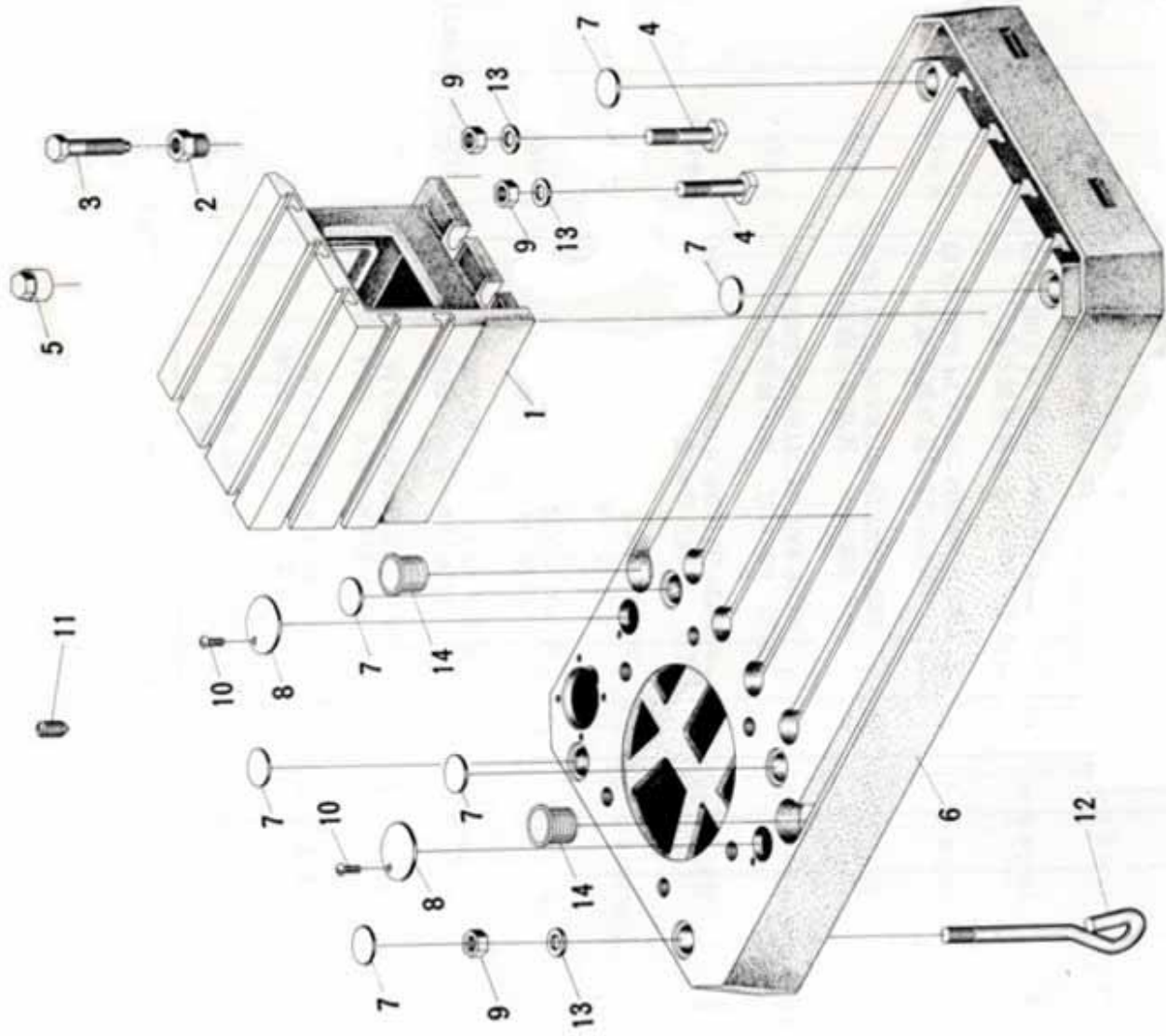


項次 Index No.	料號 Part No.	圖號 Drawing No.	品名 Part Name	規格 Type (Maker)	數量 Q'ty	備註 Note
1	49013ASB		分線板 NOSEPLATE		1	
2	49317ASB		彈簧 SPRINGS		2	
3	49318ASB		支撐套 BEARING SLEEVES		2	
4	49930ASB		銘牌 MARK PLATE		1	
	49931ASB		銘牌 MARK PLATE		1	
	49932ASB		銘牌 MARK PLATE		1	
5	J21-8		螺釘(鋅) SCREWS ZINC	M6*25	2	
6	J22-6		螺釘 SCREWS	M8*12	2	
7	J81-2		铆釘 RIVETS	2*6	3	
8	D96-4		管接頭 PIPE JOINT	M16*1.5/10	1	
9	D96-4		管接頭 PIPE JOINT	M24*1.5	4	
10	D96-4		管接頭 PIPE JOINT	M30*2	2	
11	D96-4		管接頭 PIPE JOINT	M48*2	2	
12	GB66		螺釘(鋅) SCREWS ZINC	M3*6	7	
13	SZSQ94-4		銘牌 MARK PLATE		2	
14	SZSQ94-4		銘牌 MARK PLATE	90	1	
15	S2Q91-8		銘牌 MARK PLATE	B29-M1	1	
16	S2Q91-8		銘牌 MARK PLATE	B29-M2	1	
17	S2Q91-8		銘牌 MARK PLATE	B29-M3	1	
18	S2Q91-8		銘牌 MARK PLATE	B29-M4	1	
19	S2Q93-6		銘牌 MARK PLATE	100*63	1	
20	A13-3		包膠金屬軟管 FLEXIBLE PLASTIC METAL TUBE	10*800	1	
21	A13-3		包膠金屬軟管 FLEXIBLE PLASTIC METAL TUBE	15*350	1	
22	A13-3		包膠金屬軟管 FLEXIBLE PLASTIC METAL TUBE	15*400	1	



索引Unit No:10-1

底座及工作台 Base plate and worktable







項次 Index No.	料號 Part No.	圖號 Drawing No.	品名 Part Name	規格 Type (Maker)	數量 Q'ty	備註 Note
1	41330AS		齒輪 Gear		1	
2	41021		花鍵套 Spline sleeve		1	
3	41331		齒輪 Gear		1	
4	41333		齒輪 Gear		1	
5	41327AS		齒輪 Gear		1	
6	41340		齒輪 Gear		1	
7	41341		齒輪 Gear		1	
8	35; SZSQ84-1		定位卡圈 Stopper ring		4	
9	41318		軸 Saft		1	
10	41319		齒輪 Double cluster gear		1	
11	41315		軸 Shaft III		1	
12	41344		齒輪 Gear		1	41344GB for 60Hz
13	41345		齒輪 Gear		1	41345GB for 60Hz
14	41347		齒輪 Gear		1	41347GB for 60Hz
15	41304		軸 Shaft III		1	
16	41348		齒輪 Gear		1	41348GB for 60Hz
17	41302		撥叉軸承套筒 Shifting fork bearing sleeve		1	
18	41301		閥蕊 Valve core		1	
19	41032		撥叉 Shifting fork		1	
20	41303		閥蕊 Valve core		1	
21	41307		齒輪 Gear		1	
22	80 SZSC31-1		外摩擦片 Outer friction disc		13(14)	Z3050 x $\frac{12}{16}$ (I)(II) ( ) is used for Z3050 x $\frac{12}{16}$ (I)(II)
23	70 SZSC31-2		外摩擦片 Inner friction disc		28(29)	
24	80 SZSC31-3		內摩擦片 Outer friction disc		12	

項次 Index No.	料號 Part No.	圖號 Drawing No.	品名 Part Name	規格 Type (Maker)	數量 Q' ty	備註 Note
25	41309		軸 Shaft I		1	
26	41311		齒輪 Gear		1	
27	41313		雙串齒輪 Double cluster gear		1	
28	41316		齒輪 Gear		1	
29	41317		齒輪 Gear		1	
30	41323		軸 Shaft V		1	
31	41321S		齒輪 Gear		1	
32	41320		齒輪 Gear		1	
33	41325		齒輪 Gear		1	
34	41326		齒輪 Shaft IV		1	
35	41324S		齒輪 Gear		1	
36	41329		齒輪 Gear		1	
37	42308		齒輪 Gear		1	
38	42304		齒輪 Gear		1	
39	42303		齒輪 Gear		1	
40	42301		齒輪 Gear		1	
41	42321		齒輪 Gear		1	
42	42302		齒輪 Gear		1	
43	42322		齒輪 Gear		1	
44	42325		齒輪 Gear		1	
45	42323		軸 Shaft		1	
46	42320		齒輪 Gear		1	
47	25;SZSQ84-1		定位卡圈 Stopper ring		4	
48	42315		齒輪 Gear		1	

項次 Index No.	料號 Part No.	圖號 Drawing No.	品名 Part Name	規格 Type (Maker)	數量 Q' ty	備註 Note
49	42316		軸心 Shaft		1	
50	42313		軸心 Shaft		1	
51	42314		齒輪 Gear		1	
52	42311		軸 Shaft		1	
53	42309		齒輪 Gear		1	
54	42305		齒輪 Gear		1	
55	42306		齒輪 Gear		1	
56	43314		上離合器 (Upper) clutch		1	
57	43317		軸 Shaft		1	
58	43311		下離合器 (Lower) clutch		1	
59	43308		窩桿 Worm shaft		1	
60	43325		齒輪 Gear		1	
61	43326		齒輪 Gear		1	
62	43332		水平軸 Horizontal shaft		1	
63	43020		窩輪 Worm wheel		1	
64	43338		離合器 Clutch		1	
65	43339		齒狀離合器 Teeth clutch		1	
66	44017		上泵體 Upper part of pump body			"44" pump is to be supplied in complete set
66-1	44018		齒輪油泵 Pump body		1	
66-2	44019		下泵體 Lower part of pump body		1	
66-3	44310		套筒 Sleeve		2	
66-4	44311		齒輪 Driven gear		1	
66-5	44312		齒輪 Drive gear		1	
66-6	44314		閥蕊 Valve core		1	

項次 Index No.	料號 Part No.	圖號 Drawing No.	品名 Part Name	規格 Type (Maker)	數量 Q' ty	備註 Note
66-7	44315		塞頭 Screw plug		1	"44" pump is to be supplied in complete set
66-8	44801		軸套 Shaft sleeve		3	
66-9	44802		軸套 Shaft sleeve		1	
66-10	M6x35 J21-9		螺釘 Screw		2	
66-11	8x45 J44-1		圓柱銷 Cylindrical pin		2	
66-12	M14x1.5 G38-4		油塞 Hexagonal socket head oil plug		1	
66-13	14 SZSG52-3		墊圈 Scaling washer		1	
66-14	6 Q56-1		塞頭 Plug		1	
66-15	2x12x60 Q81-1		壓縮彈簧 Spring		1	
67	48 SZSQ32-1		菱形塊 Rhombic block		1 set	
68	120 SZSQ32-1		菱形塊 Rhombic block		1 set	
69	47315		齒輪 Gear		1	Safety clutches for elevatim are to be supplied in complete set
70	47023		軸套 Shaft sleeve		1	
70-1	47307		小離合器 Small clutch		1	
70-2	47309		齒輪離合器 Gear clutch		1	
70-3	47314		齒輪 Gear		1	
70-4	47324		墊圈 Washer		1	
70-5	6x6x20 J31-1		雙頭圓鍵 Flat key		1	
70-6	4x35 J41-1		圓柱銷 Round taper pin		1	
70-7	4 J51-1		平墊圈 Finishing		20	
70-8	1.6x10x35 Q81-1		彈簧墊圈 Pressure spring		10	
70-9	7/16" GB308-77		鋼球 Steel ball		10	
71	47388A		齒輪 Gear		1	
72	47317		導螺桿 Lead screw		1	

項次 Index No.	料號 Part No.	圖號 Drawing No.	品名 Part Name	規格 Type (Maker)	數量 Q' ty	備註 Note
73	48013		螺帽 Safety nut		1	
74	48311		螺帽 Elevating nut		1	
75	48301 48320A		齒條 Rack		3	48320A used Z30 40 x12 (I) 50 (II)
76	120 SZSQ32-1		菱形塊 Rhombic block		1 set	
77	45018		油泵蓋板 Cover plate for oil pump		1	
77-1	45019		油泵體 Body of oil pump		1	
77-2	45020		油泵體 Body of oil pump		1	
77-3	45021		油泵體 Body of oil pump		1	
77-4	45327		齒輪 Drive gear		1	The "45" pump is to be supplied in complet set
77-5	45328		齒輪 Driven gear		1	
77-6	45314		套筒 Sleeve		1	
77-7	45317		油封蓋 Centering sleeve		1	
77-8	45904		密封圈 Seal ring		1	
77-9	8 J54-1		彈簧墊圈 Spring washer		2	
77-10	8x40 J44-1		圓柱銷 Cylindrical pin		2	
77-11	35x3.1 J51-2		O型環 O-ring		1	
77-12	M8x45 J21-2		螺釘 Screw		2	
77-13	1.5x20x12 941/15		軸承 Needle bearing		2	
79	46309		彈簧墊圈 Spring		1	
80	46316		凸輪 Cam		1	
81	46011		導向套筒 Guiding sleeve		1	
81-1	46302		墊圈 Washer		2	
81-2	46304		主軸套 Quill		1	

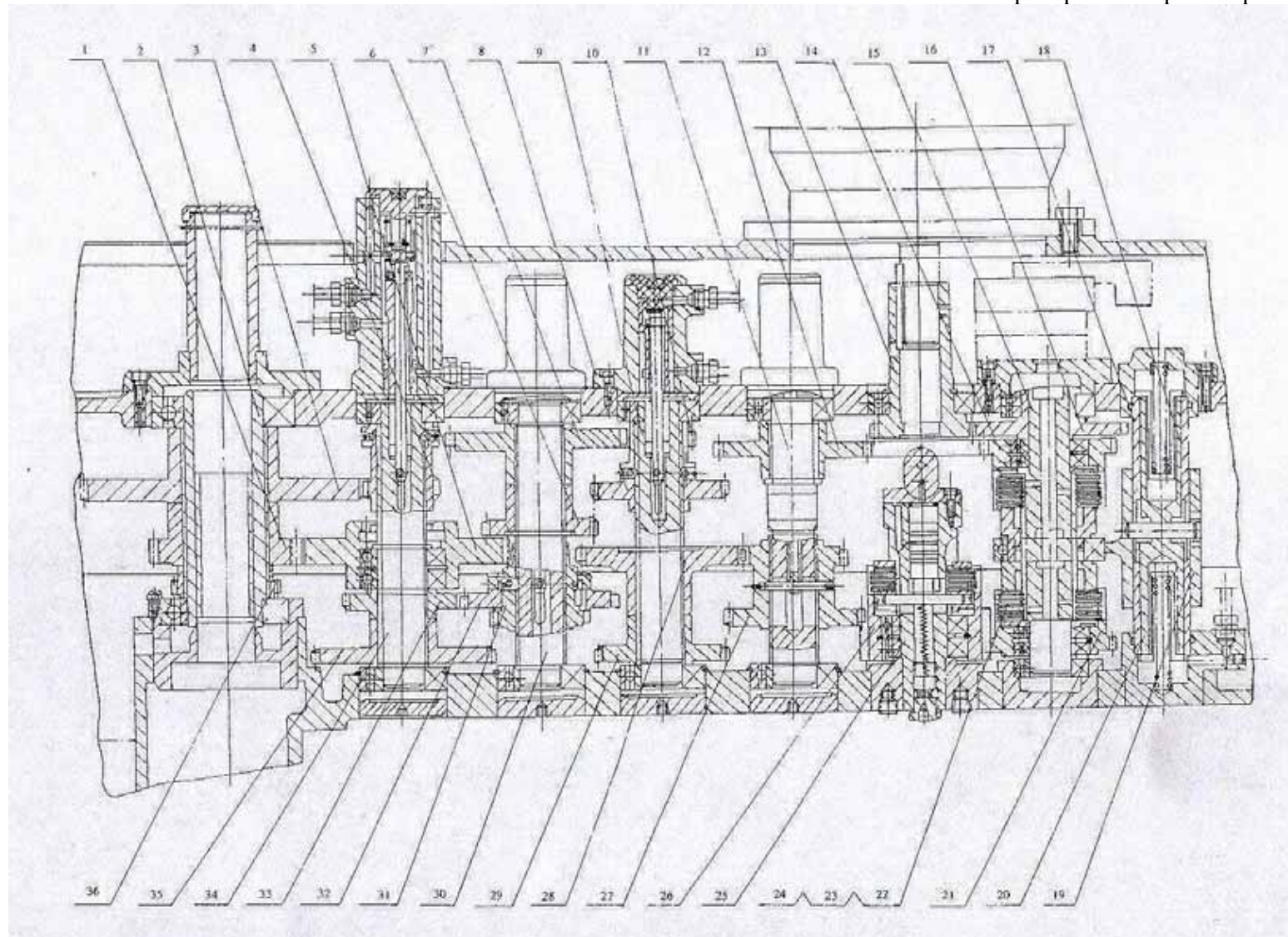
項次 Index No.	料號 Part No.	圖號 Drawing No.	品名 Part Name	規格 Type (Maker)	數量 Q' ty	備註 Note
81-3	46305		墊片 Cover		1	The spindle component is to be supplied in complet set Used for(40)(I) and 50(I)
81-4	46306		墊圈 Guard washer		1	
81-5	46307		螺帽 Locking nut		2	
81-6	40x68x15 D108		滾珠軸承 Sing-nov radial ball bearing		3	
81-7	40x16x13 D8108		滾珠軸承 Sing-nov radial ball bearing		2	
81-8	46301		主軸 Spindle		1	Used for (40)(I)
81-9	56301		主軸 Spindle		1	Used for (50)(I)
81-10	46301B		主軸 Spindle		1	Used for (40)(II)
81-11	56304B		主軸套 Quill		1	Used for (40)(II) and 50(II)
81-12	60x85x17 D8112		滾珠軸承 Single-row thrust ball bearing		1	
81-13	56301B		主軸 Spindle		1	Used for 50 (II)
82	7x1.9 G51-2		O型環 O-ring		1	
82-1	9x1.9 G51-2		O型環 O-ring		46	
82-2	11x1.9 G51-2		O型環 O-ring		14	
82-3	13x1.9 G51-2		O型環 O-ring		5	
82-4	20x2.4 G51-2		O型環 O-ring		4	
82-5	25x2.4 G51-3		O型環 O-ring		2	
82-6	30x3.1 G51-2		O型環 O-ring		2	
82-7	35x3.1 G52-2		O型環 O-ring		9	
82-8	35x3.5 G52-2		O型環 O-ring		1	
82-9	45x3.1 G52-2		O型環 O-ring		2	
82-10	55x3.1 G51-2		O型環 O-ring		1	
82-11	60x5.7 G51-2		O型環 O-ring		1	
82-12	65x3.1 G51-2		O型環 O-ring		1	



索引|Unit No:12-1

主軸變速機構

Locations of spare parts for spindle speed change mechanism

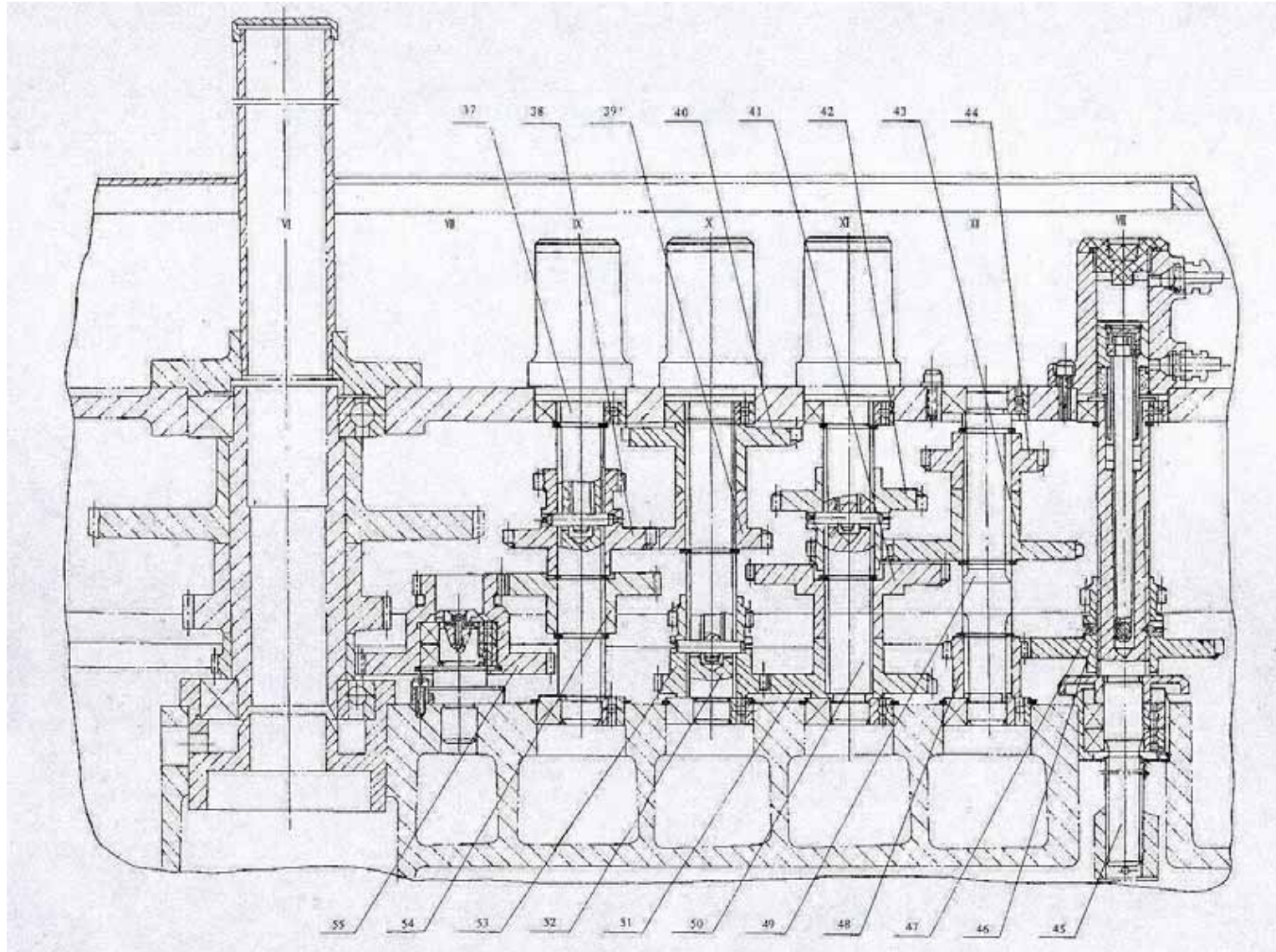




索引|Unit No:12-1

進刀變速機構

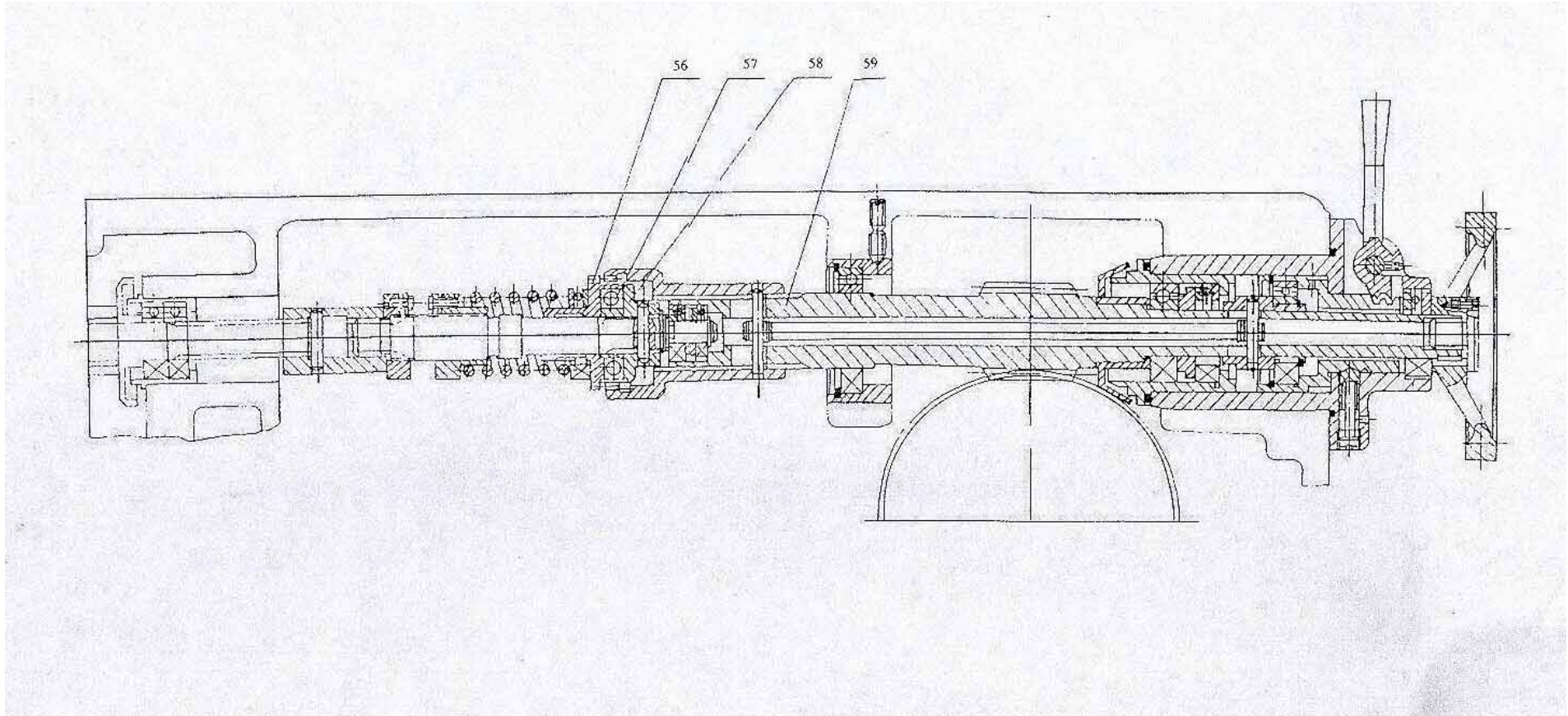
Locations of spare parts for feed change mechanism



索引|Unit No:12-1

進給機構

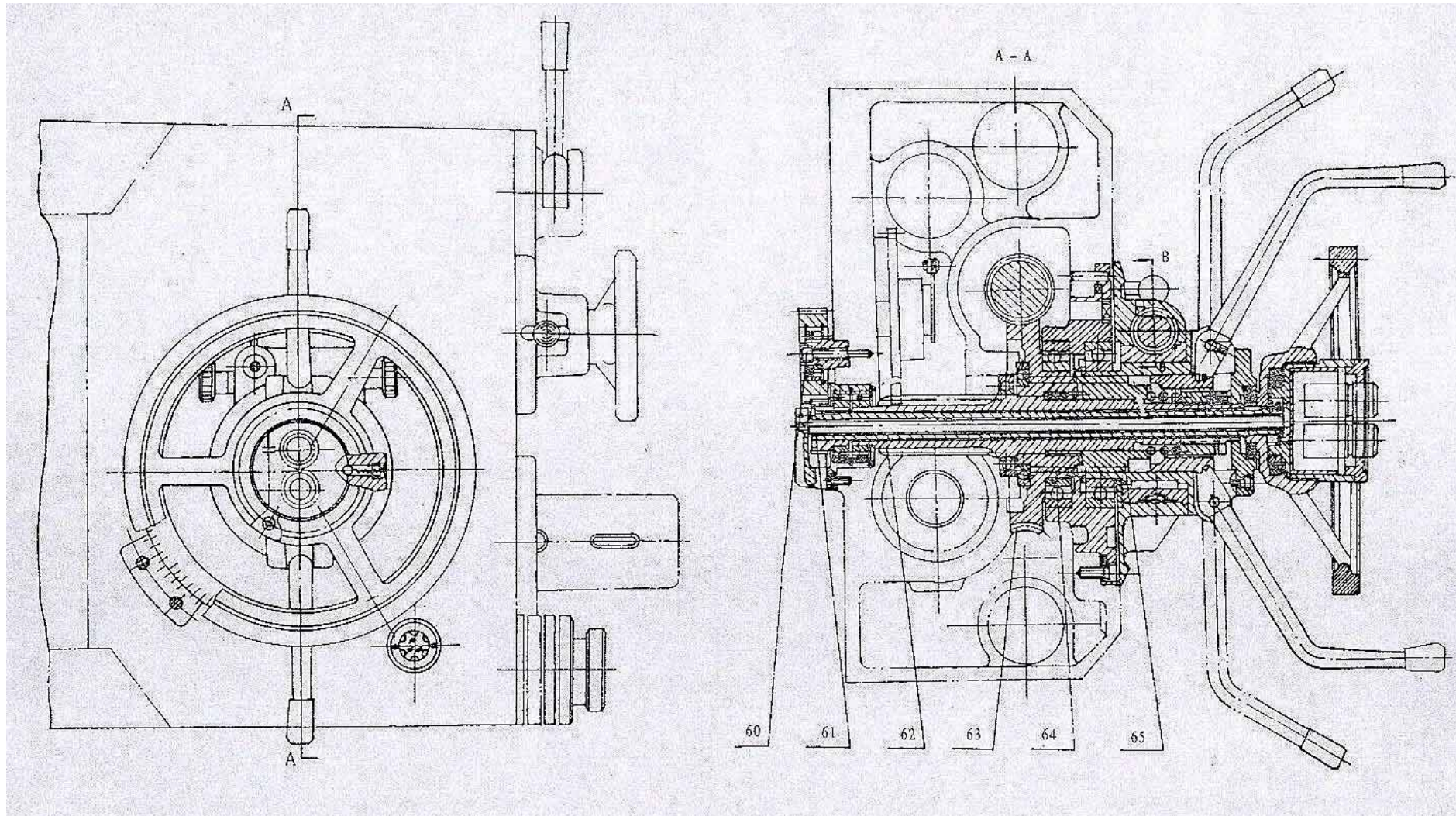
Locations of spare parts for feeding mechanism



索引|Unit No:12-1

進給機構

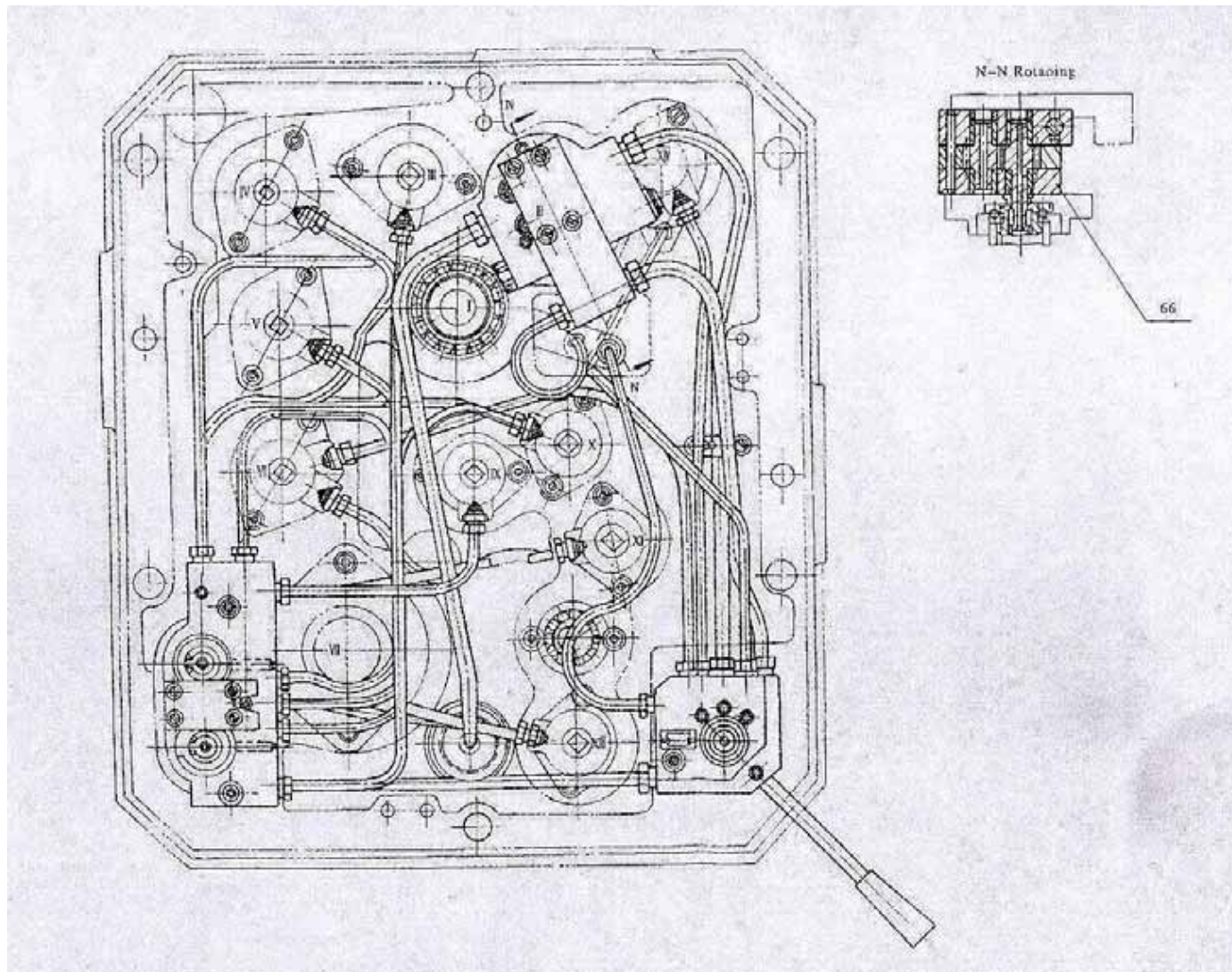
Locations of spare parts for feeding mechanism



索引|Unit No:12-1

變速油壓單元

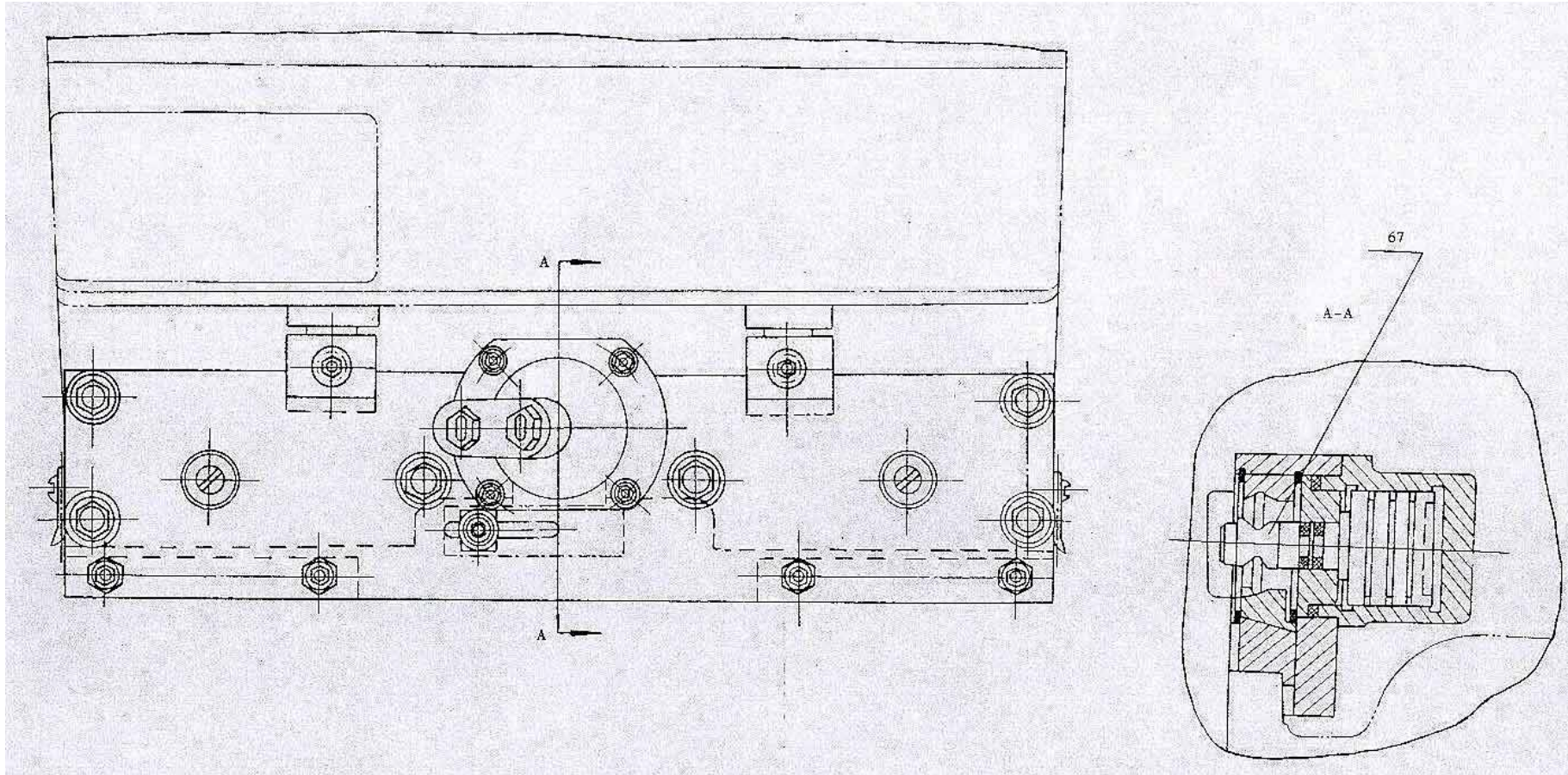
Locations of spare parts for speed change oil pump



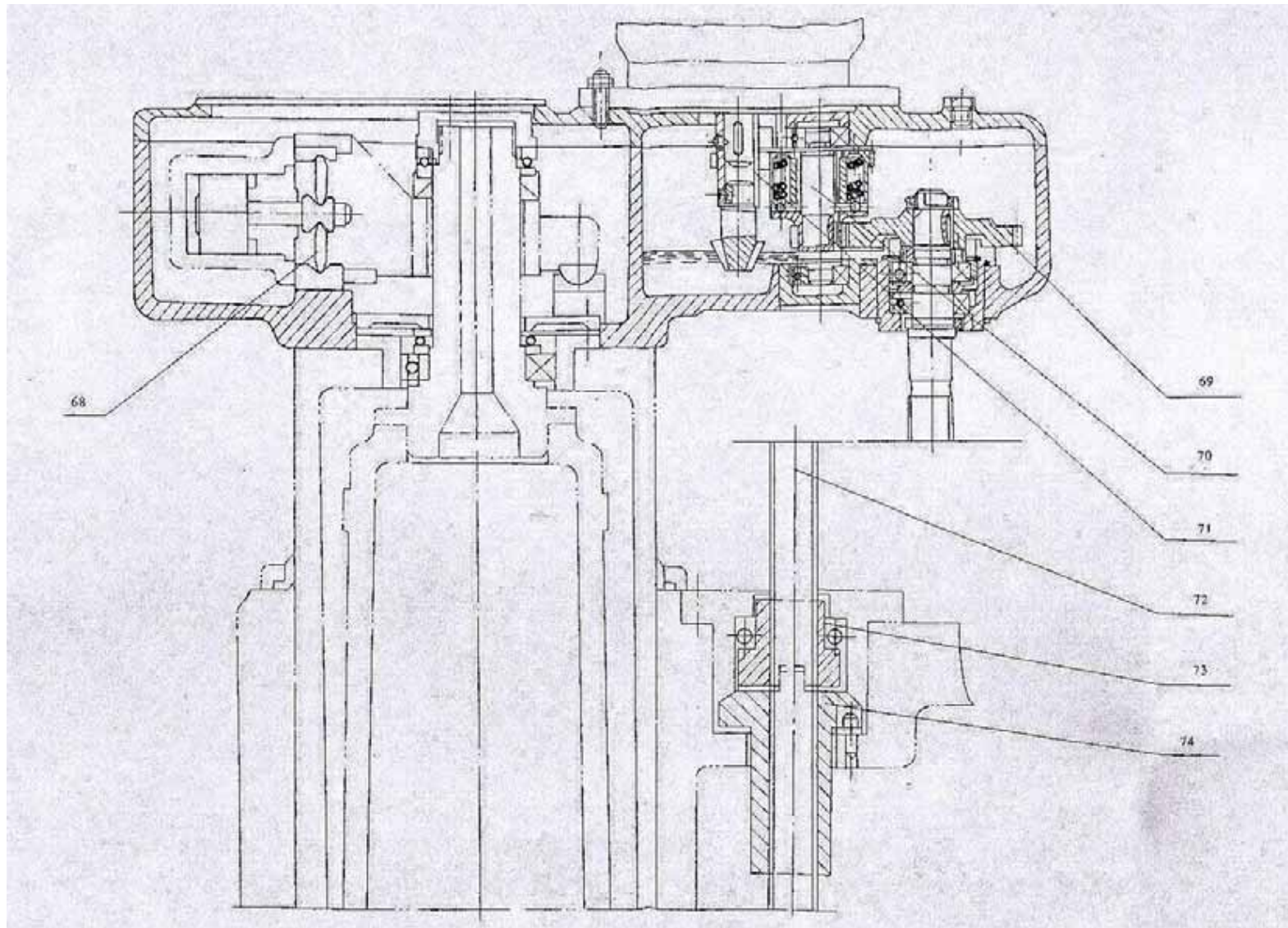
索引|Unit No:12-1

主軸夾緊機構

Locations of spare parts for spindle head clamping mechanism



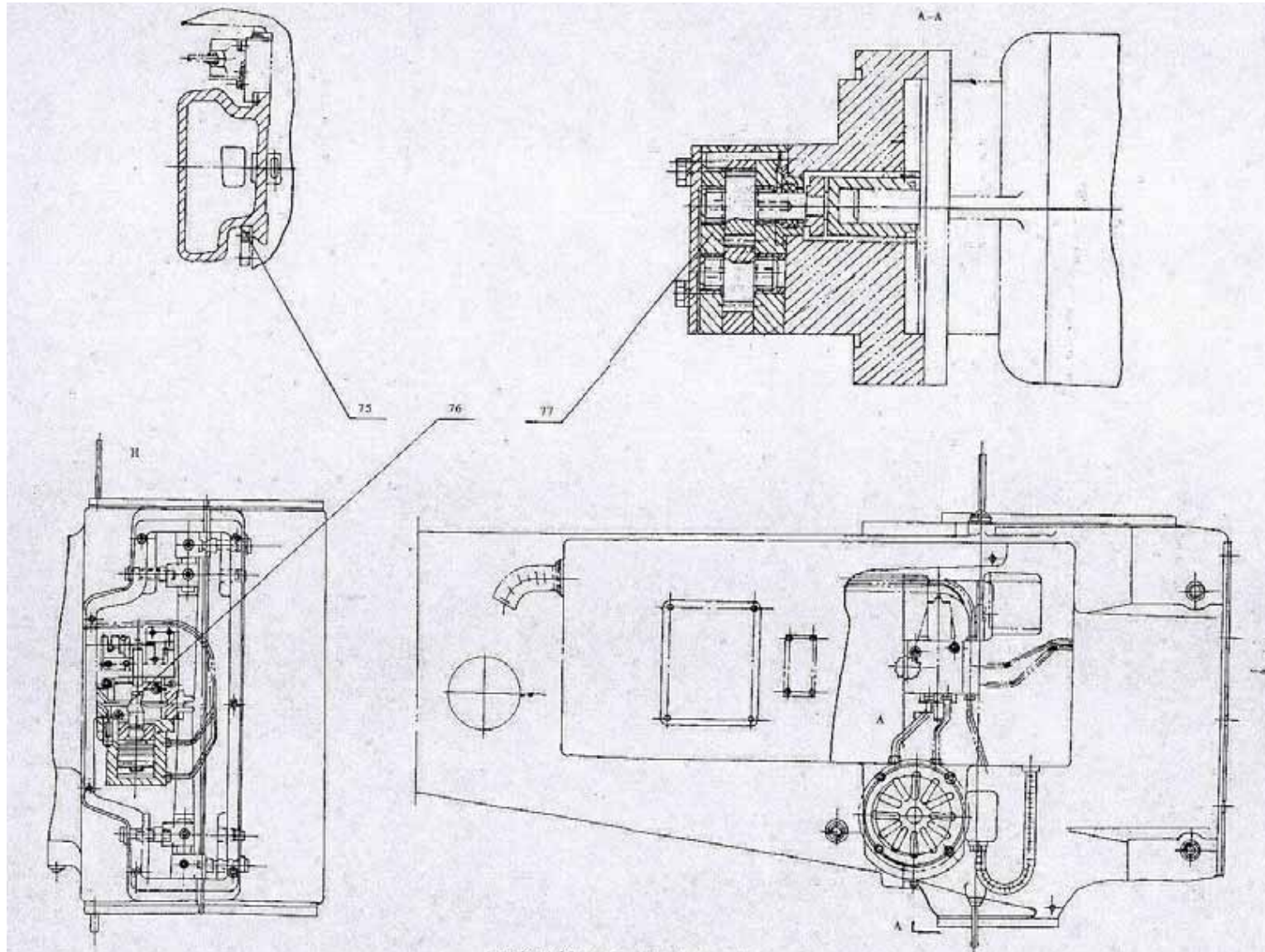
索引|Unit No:12-1  
臂柱傳動及夾緊機構  
Locations of spare parts for column unit



索引|Unit No:12-1

油壓系統單元

Locations of spare parts for clamping oil pump



索引|Unit No:12-1

主軸平衡機構

Locations of spare parts for spindle & balancing mechanism

