

The SHARP logo consists of the word "SHARP" in a bold, white, sans-serif font, centered within a solid blue rectangular background.

SHARP

PARTS MANUAL

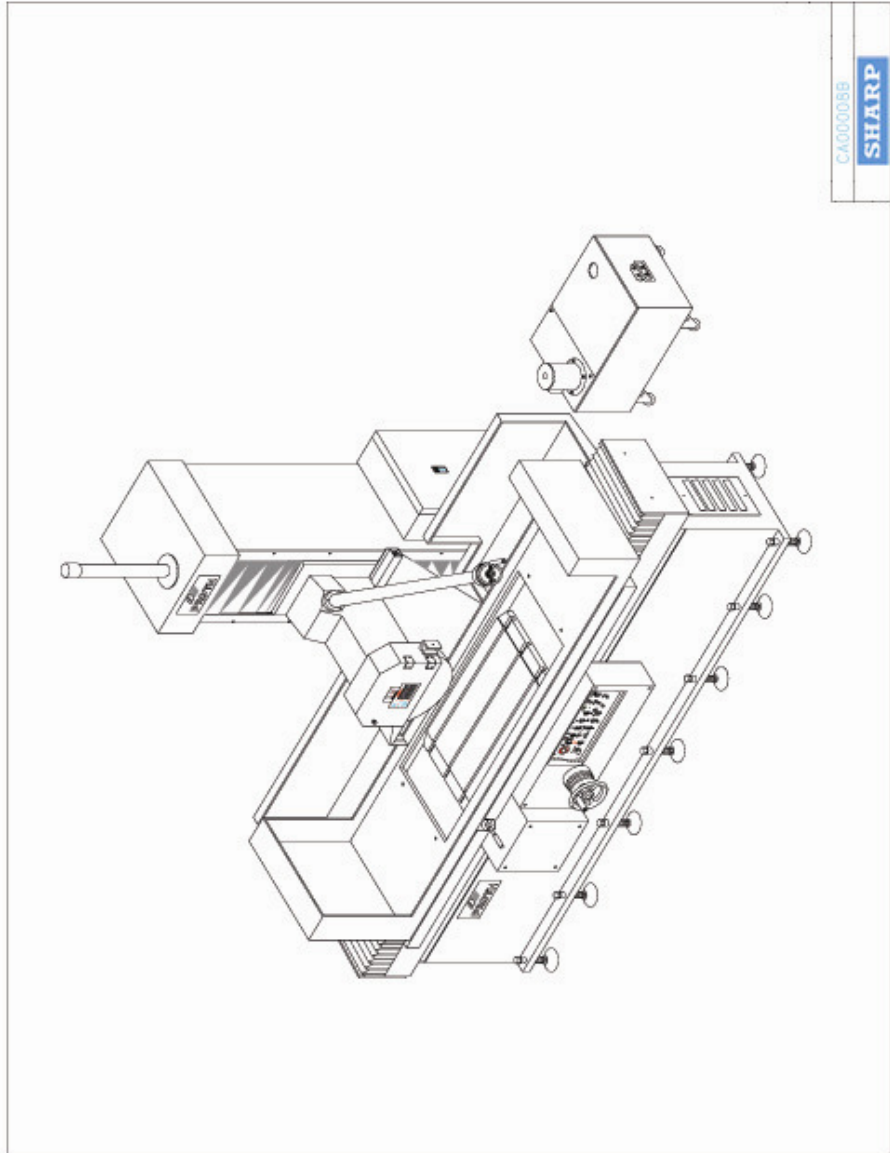
FOR

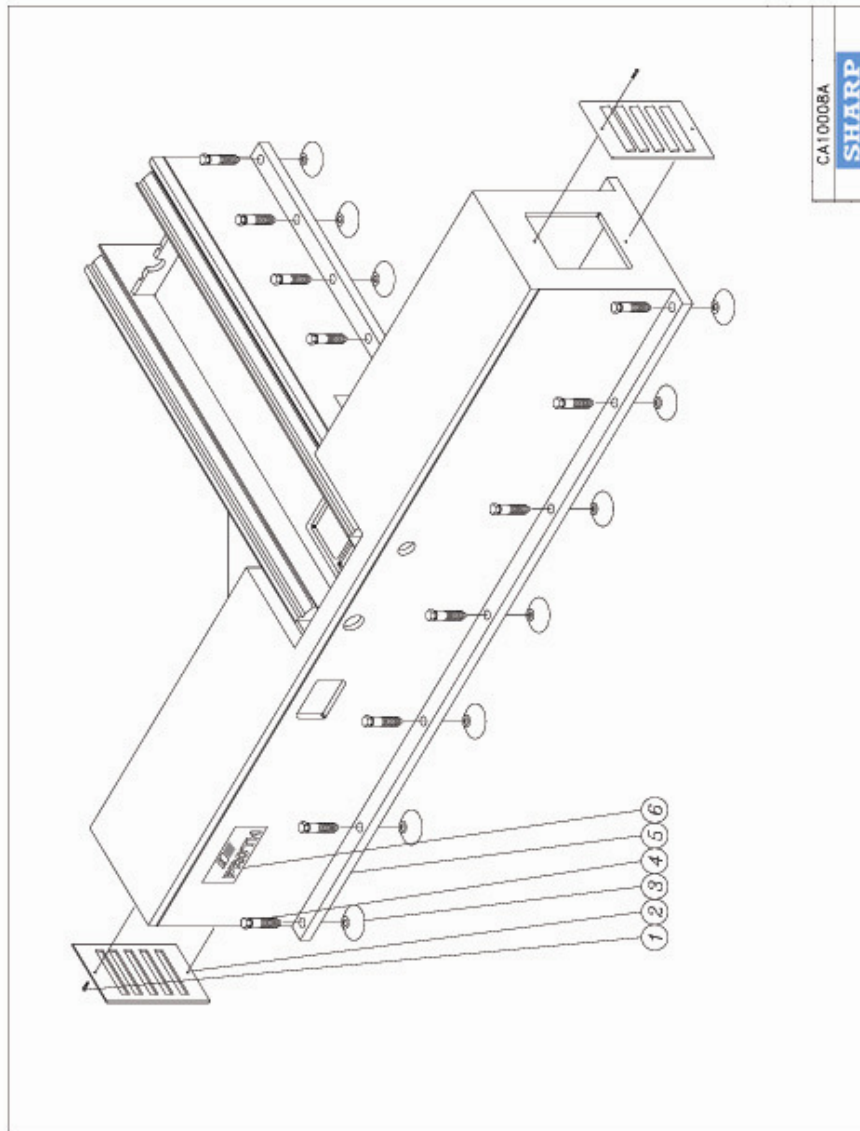
Traveling Column Surface Grinder

SH series One piece T shape base

construction

SH-2047, 2060, 2447, 2460, 2487

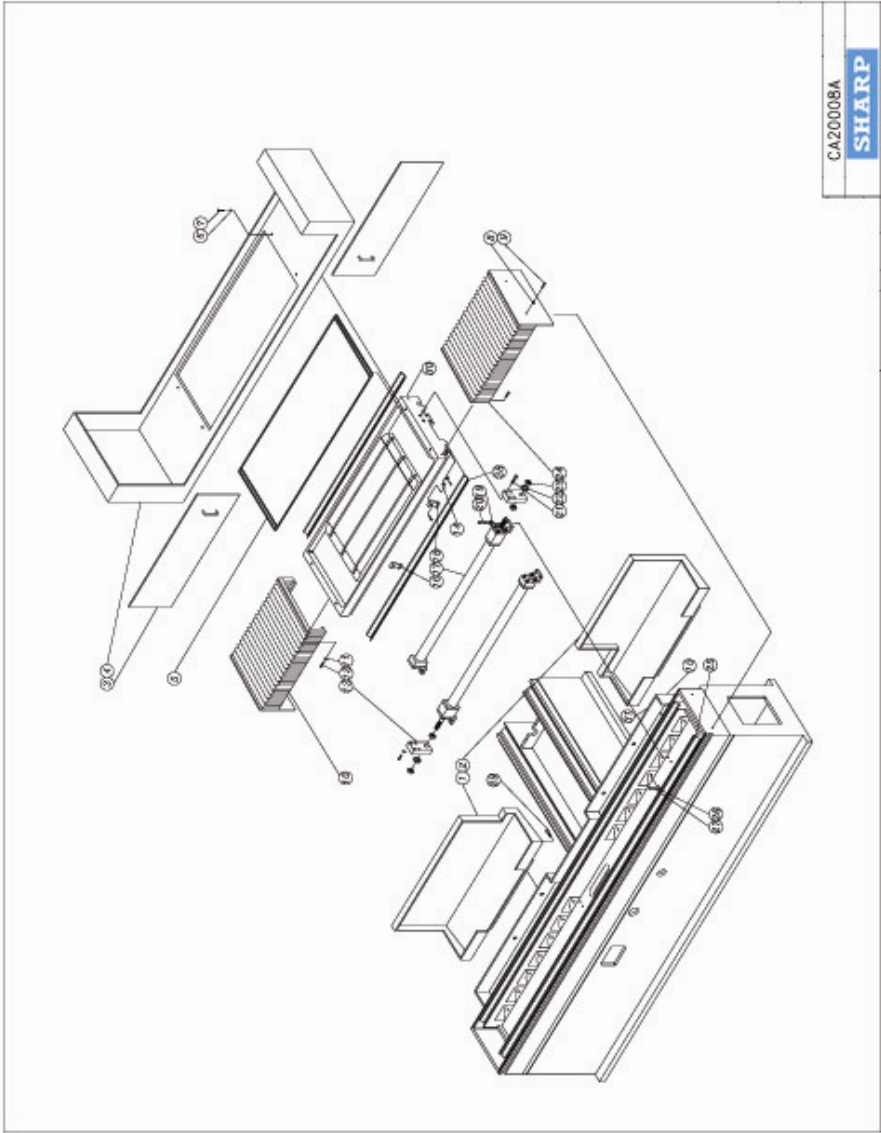






CA1000AA

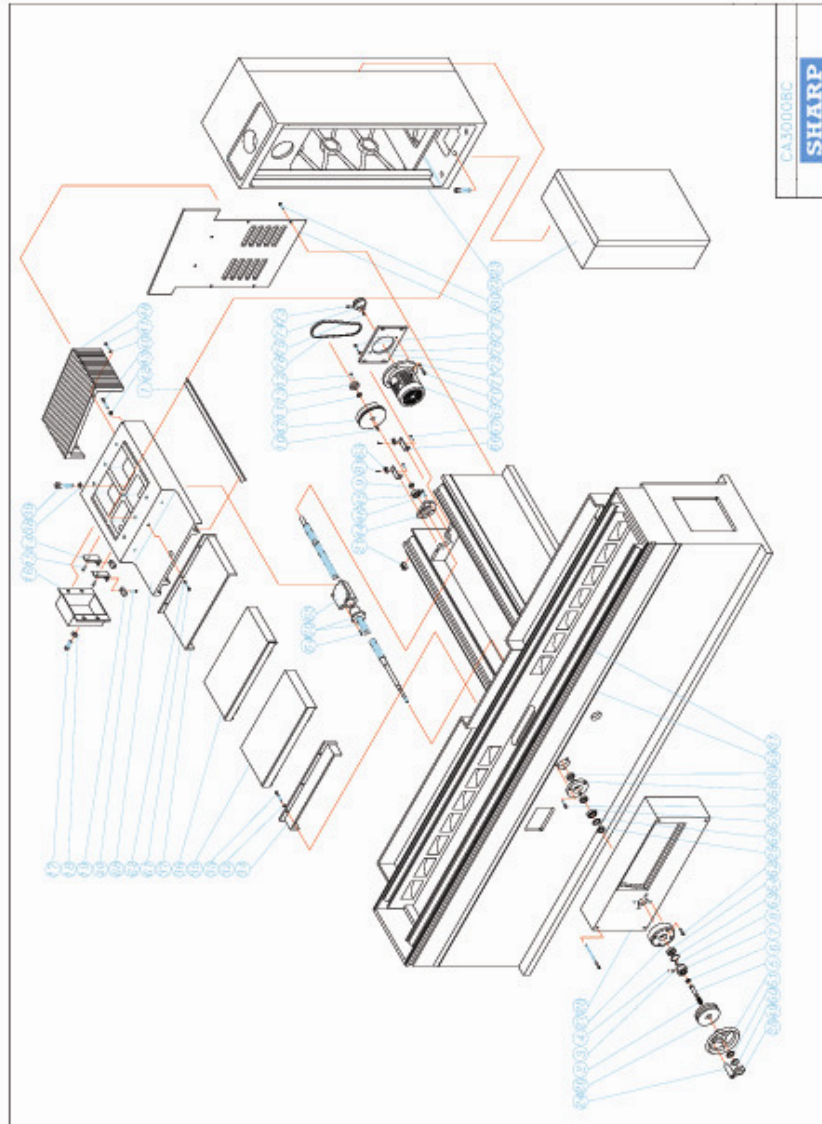
INDEX NO	PART NO	PART NAME	QUANTITY
1.		SCREW	4
2.	SD9113A*	COVER	2
3.	SD9111A*	SETTING PLATE	X
4.	SD9111A*	JACK BOLT	X
5.	CA1111A*	MACHINE BASE	1
6.	SD9116A*	NAME PLAT	1



CA2000A

INDEX NO	PART NO	PART NAME	QUANTITY
1.	CA2317A*	SPLASH GUARD PLATE	1
2.	CA2318A*	SPLASH GUARD PLATE	1
3.	CB2320A*	SPLASH GUARD PLATE	2
4.	CB2311A*	SPLASH GUARD PLATE	1
5.		WATER PROOF TAPE	1
6.		FLAT WASHER	4
7.		SCREW	4
8.		FLAT WASHER	4
9.		SCREW	4
10.	CB2121A*	SLIDEWAY PROTECTION COVER	1
11.		FLAT WASHER	4
12.		SCREW	4
13.	CA2115A*	ROD HOLDER	2
14.	SD2112A*	SLIDE DOG NUT	4
15.	CA1121A*	UPPER MACHINE BASE	1

16.	CA2114A*	SLIDE DOG	1
17.	CB2210A*	CYLINDER	2
18.	CA2113A*	ROD HOLDER	1
19.		SPRING WASHER	8
20.		SCREW	8
21.		SCREW	2
22.		FLAT WASHER	4
23.		HEXAGONAL NUT	4
24.	CB2122A*	SLIDEWAY PROTECTION	1
25.		RUBBER	2
26.		SPRING WASHER	37
27.		SCREW	37
28.		TUCITE B	1
29.		TUCITE B	1
30.	CB1113A*	TABLE	1
31.		SCREW	4



CA3000BC

SHARP

CA3000A

INDEX NO	PART NO	PART NAME	QUANTITY
1.		TUCITE B	4
2.	SD3126A*	SPRING	1
3.	SD3118A*	SPRING	3
4.		STEEL BALL	3
5.	CA3139A*	SEAT PREVENT	1
6.	CA4327A*	LOCKING ELEMENT	1
7.	CA3117A*	CLUTCH HOUSING	1
8.		KEY	1
9.	CA3153A*	WASHER	1
10.		KEY	1
11.	CA3142A*	LOCKING ELEMENT	1
12.		SCREW	3
13.	CA3139A*	SPACER	1
14.	CA6116A*	SWITCH HOLDER	2
15.		SCREW	4

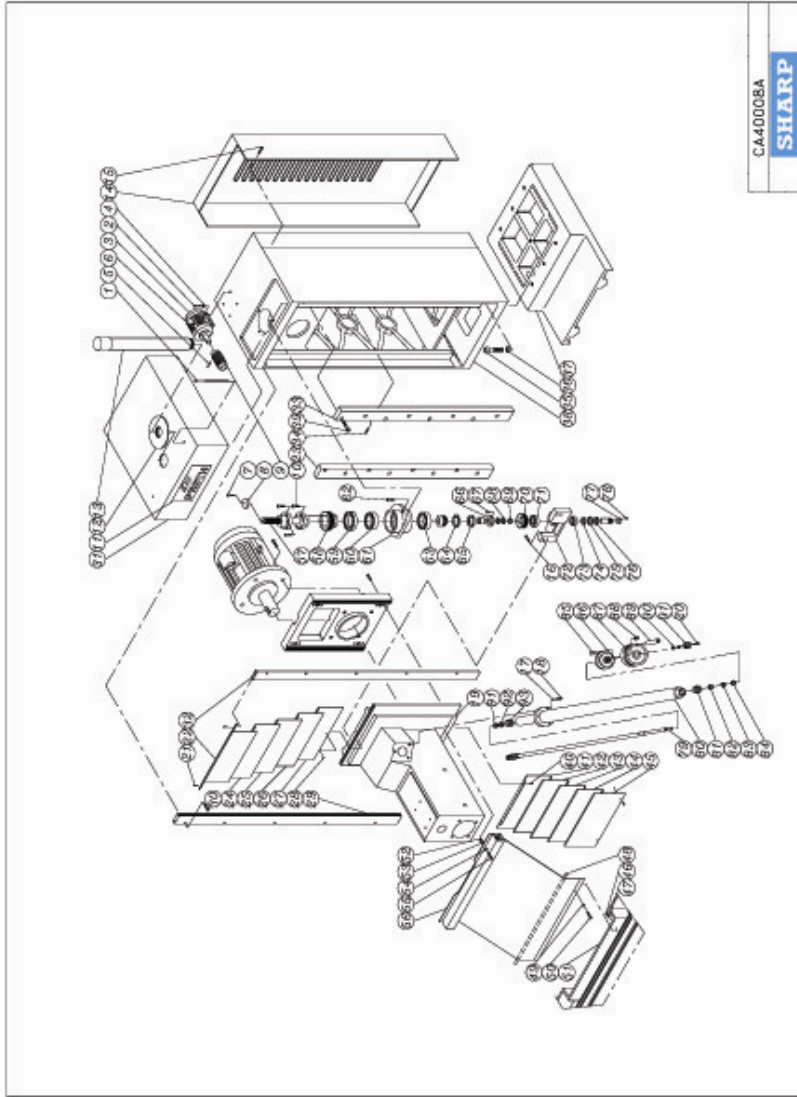
16.	CA8213E*	COVER	1
17.		SCREW	4
18.		WASHER	4
19.		PROXIMITY SWITCH	2
20.		SCREW	4
21.		LIMIT BLOCK	2
22.		ELECTRIC CONTROL BOX	1
23.	CA1114A*	COLUMN	1
24.	SD2550A*	HANDLE	1
25.	SD2556A*	HAND WHEEL NUT	1
26.	CA3116A*	GRADUAED DIAL	1
27.	CA3115A*	DIAL HOLDER	1
28.	CA8111E*	BRACKED	1
29.		TIGHTENING NUT	1
30.		BEARING	2
31.	CA1121A*	UPPER MACHINE BASE	1
32.		FLAT WASHER	4

33.		SCREW	4
34.	CA3161A*	DUST PROTECTION COVER	1
35.	CA3162A*	DUST PROTECTION COVER	1
36.	CA3163A*	DUST PROTECTION COVER	1
37.	CA3164A*	DUST PROTECTION COVER	1
38.		SPRING WASHER	4
39.		SCREW	4
40.		FLAT WASHER	2
41.		SCREW	2
42.		HEXAGONAL NUT	2
43.		SCREW	2
44.	CA3138A*	BEARING HOUSING	1
45.		BEARING	1
46.		SCREW	3
47.	CA3113A*	V-BELT PULLEY	1
48.	CA3137A*	WAY COVER	1
49.		TIGHTENING NUT	1
50.		TIGHTENING WASHER	1

SHARP

51.	CA3555A*	HANDWHELL	1
52.		SCREW	4
53.		RSNAP RING	1
54.		BEARING	1
55.		SCREW	4
56.		TIGHTING WASHER	1
57.		BEARING	1
58.	CA3136A*	BEARING HOUSING	1
59.	CB1111A*	MACHINE BASE	1
60.	CA3111A*	CROSS LEAD SCREW	1
61.		SCREW	2
62.		FLAT WASHER	2
63.		PROXIMITY SWITCH	1
64.		SCREW	3
65.	CA3119A*	LEAD SCREW NUT HOLDER	1
66.	CA3112A*	SWITCH HOLDER	1
67.		SCREW	4

68.	CA1112A*	CROSS SLIDER	1
69.	CA3123A*	CROSS MOTOR	1
70.		HEXAGONAL HEAD BOLT	4
71.		SPRING WASHER	4
72.	CA3143A*	MOTOR FIX PLATE	1
73.		SCREW	1
74.	CA3124A*	V-BELT PULLY	1
75.		KEY	1
76.		SPRING WASHER	4
77.		SCREW	4
78.		V BELT	1
79.	CA9125A*	REAR COVER	1
80.		SCREW	6
81.		SCREW	4



CA4000A

INDEX NO	PART NO	PART NAME	QUANTITY
1.		SCREW	3
2.		HEXAGONAL HEAD BOLT	4
3.	CA4141A*	VERTICAL MOTOR	1
4.		SPRING WASHER	4
5.		SPRING PIN	1
6.		KEY	1
7.		SCREW	1
8.	CA4143A*	WASHER	1
9.	CA4142A*	WORM SHAFT	1
10.		SCREW	6
11.	SD9116A*	NAME PLATE	1
12.	CA4132A*	PROTECTION TUBE BASE	1
13.	CA4133A*	PROTECTION TUBE	1
14.	CA4124A*	COVER	1
15.		SCREW	10

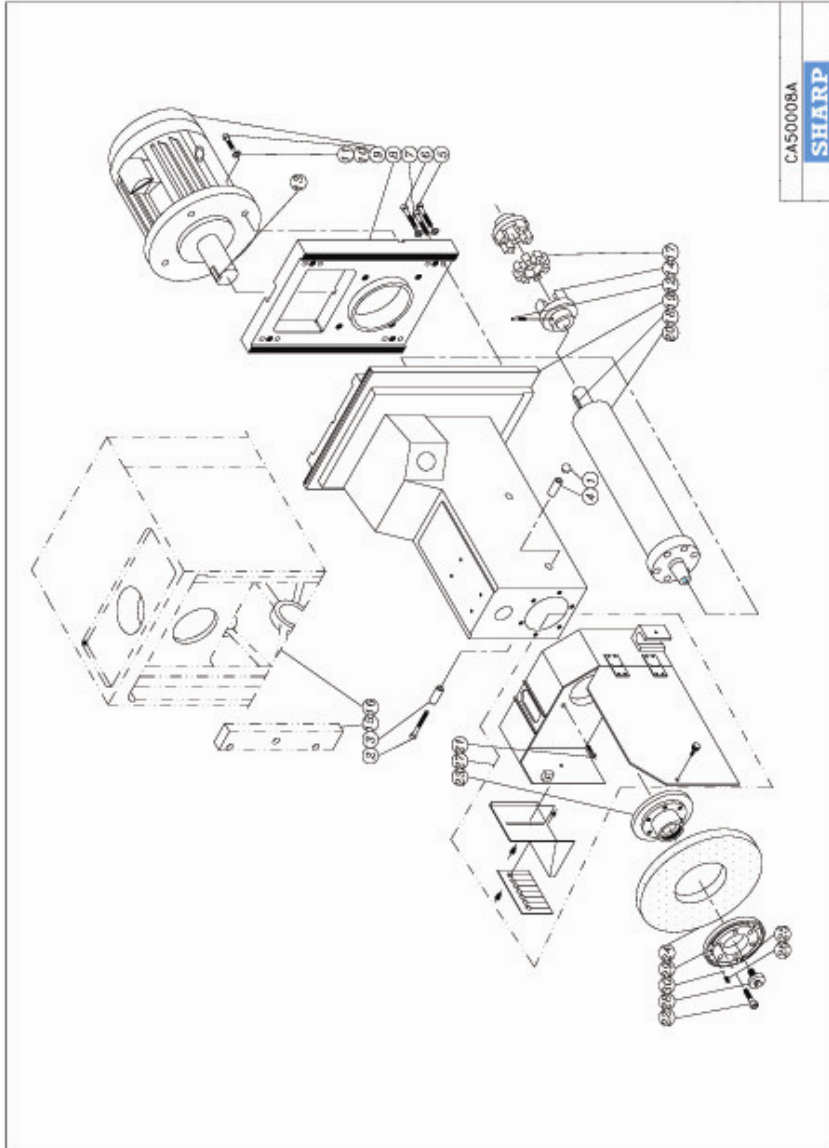
16.		SCREW	4
17.		SPRING WASHER	3
18.		SCREW	3
19.	CA1115A*	SPINDLE HOUSING	1
20.		SCREW	1
21.		FLAT WASHER	2
22.	CA4127A*	DUST PROTECTION COVER	1
23.	CA4121A*	VERTICAL SLIDEWAY	1
24.	CA4128A*	DUST PROTECTION COVER	1
25.	CA4128A*	DUST PROTECTION COVER	1
26.	CA4128A*	DUST PROTECTION COVER	1
27.	CA4129A*	DUST PROTECTION COVER	1
28.		FLAT WASHER	1
29.	CA4114A*	WAY COVER SUPPORT	1
30.		CREW	10
31.	CA4111A*	COLUMN COVER	1
32.	CA4113A*	WAY COVER SUPPORT	1
33.	CA4122A*	VERTICAL SLIDEWAY	1

34.		SCREW	14
35.		HEXAGONAL HEAD BOLT	6
36.		SPRING WASHER	6
37.	CA1112A*	CROSS SLIDE	1
38.	CA1114A*	COLUMN	1
39.	CA4123A*	BOLT	18
40.		FLAT WASHER	2
41.	CA4117A*	DUST PROTECTION COVER	1
42.	CA4128A*	DUST PROTECTION COVER	1
43.	CA4128A*	DUST PROTECTION COVER	1
44.	CA4128A*	DUST PROTECTION COVER	1
45.	CA4116A*	DUST PROTECTION COVER	1
46.		HEXAGONAL NUT	2
47.		FLAT WASHER	1
48.	CA2324A*	PROTECTION COVER SUPPORT	1.
49.		FLAT WASHER	2
50.		SCREW	2

51.	CA1121A*	UPPER MACHINE BASE	1
52.		HEXAGONAL NUT	2
53.		SCREW	2
54.		FLAT WASHER	2
55.		SCREW	2
56.	CA2323A*	PROTECTION	1
57.	CA4410A*	DRIVE SHAFT	1
58.	CA4442A*	WORM WHELL	1
59.		BEARING	1
60.		BEARING	1
61.	CA4414A*	NUT FIXER	1
62.		SCREW	3
63.		BEARING	1
64.		TIGHTENING WASHER	1
65.		TIGHTENING NUT	1
66.	CA4335A*	BUSHING	1
67.		SCREW	3
68.	CA4331A*	CONIAL KEY	1

69.	CA4336A*	WASHER	1
70.	CA4212A*	WORM WHELL	1
71.		BEARING	1
72.	CA4333A*	WORM WHELL FIXER	1
73.		BEARING	1
74.	CA4334A*	WASHER	1
75.		TIGHTENING WASHER	1
76.		TIGHTENING NUT	1
77.	CA4224A*	WASHER	1
78.		SCREW	2
79.	CA4211A*	WORM SHAFT	1
80.	CF4311A*	WORM SHAFT FIXER	1
81.		BEARING	1
82.	CA4326A*	WASHER	1
83.		TIGHTENING WASHER	1
84.		TIGHTENING NUT	1
85.	SD4323A*	SCREW	2

86.	SD4312A*	GRADULADE DIAL	1
87.	CA4321A*	DIAL	1
88.	SD4324A*	NUT	2
89.	SD2550A*	HANDLE	1
90.	CA4327A*	CONICAL KEY	2
91.	CA4328A*	CONICAL BUSHING	1

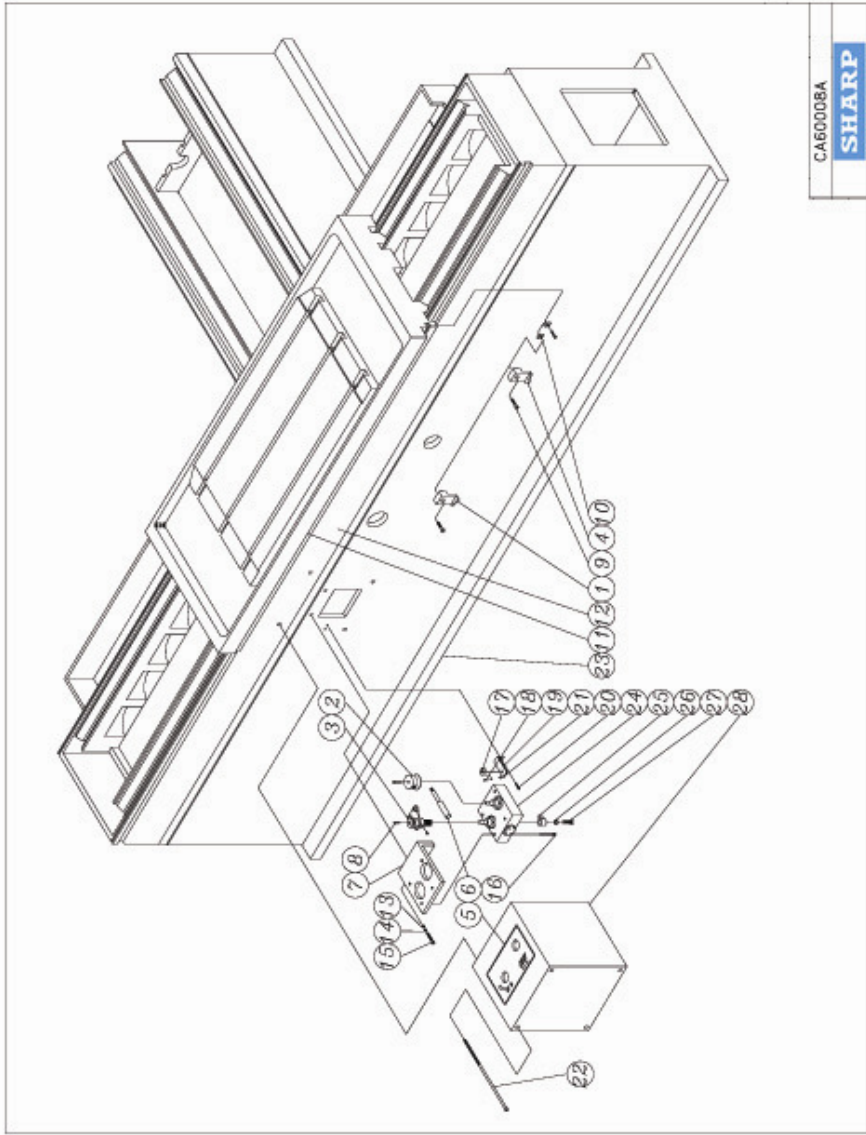


CA5000A

INDEX NO	PART NO	PART NAME	QUANTITY
1.		DUST COVER	4
2.		SCREW	2
3.	CA5113A*	SPINDLE FIXING ELEMENT	2
4.	CA5114A*	SPINDLE FIXING ELEMENT	2
5.		SCREW	4
6.		SCREW	8
7.		SPRING WASHER	8
8.	CA1116A*	SPINDLE HOUSING HOLDER	1
9.	CA5111A*	SPINDLE MOTOR	1
10.		HEXAGONAL HEAD BOLT	4
11.		SPRING WASHER	8
12.		SCREW	8
13.		KEY	1
14.	CA5112A*	CUPLING	2
15.	CA4121A*	PROTECTION COVER	1

SHARP

16.	CA1114A*	COLUMN	1
17.	CA5118A*	CUPLING RUBBER	1
18.		KEY	1
19.	CA1115A*	SPINDLE HOUSING	1
20.	CA5211A*	SPINDLE	1
21.		SCREW	1
22.		SCREW	1
23.	CA5212A*	WHELL FLPNGE	1
24.		GRANDING WHELL	1
25.	SD5214A*	WHELL BALANCE WEIGHT	3
26.		SCREW	3
27.	CA5300A*	WHELL COVER	1
28.		LOCK SCREW	1
29.	CA5213A*	LOCK NUT	1
30.		STEEL BALL	3



CA6000AA

INDEX NO	PART NO	PART NAME	QUANTITY
1.	CA2114A*	SLIDER DOG	1
2.	SD6152A*	FLOW CONTROL HADELE BASE	1
3.	CA6140A*	DIRECTIONAL ARM	1
4.	CA2113A*	SLIDER DOG	1
5.	CA6154A*	NAME PLATE	1
6.	CA6153A*	FLOW CONTROL HADELE	1
7.	CA6115A*	FRAME	1
8.		SCREW	1
9.		SCREW	2
10.	SD2112A*	FIX NUT	2
11.	C*1113A*	TABLE	1
12.	C*1121A*	UPPER MACHINE BASE	1
13.		WASHER	1
14.		WASHER	1
15.		SCREW	2

16.		SCREW	2
17.		SWITCH	1
18.		SCREW	1
19.	CA6116A*	SWITCH HOLDER	1
20.		SCREW	2
21.		HEXAGONAL NUT	1
22.		SCREW	4
23.	C*1111A*	MACHINE BASE	1
24.	CA6110A*	VALVE	1
25.	SD6156A*	DIRECTIONAL VALVE	1
26.		WASHER	1
27.		SCREW	1
28.	CA6117A*	COVER	1