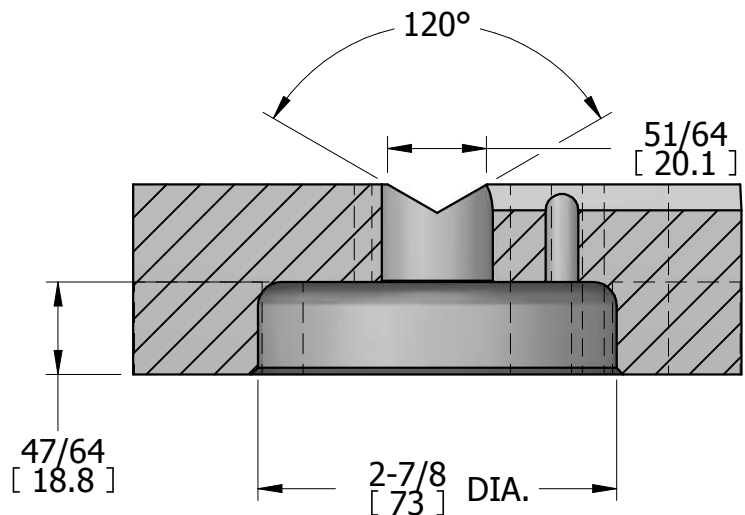
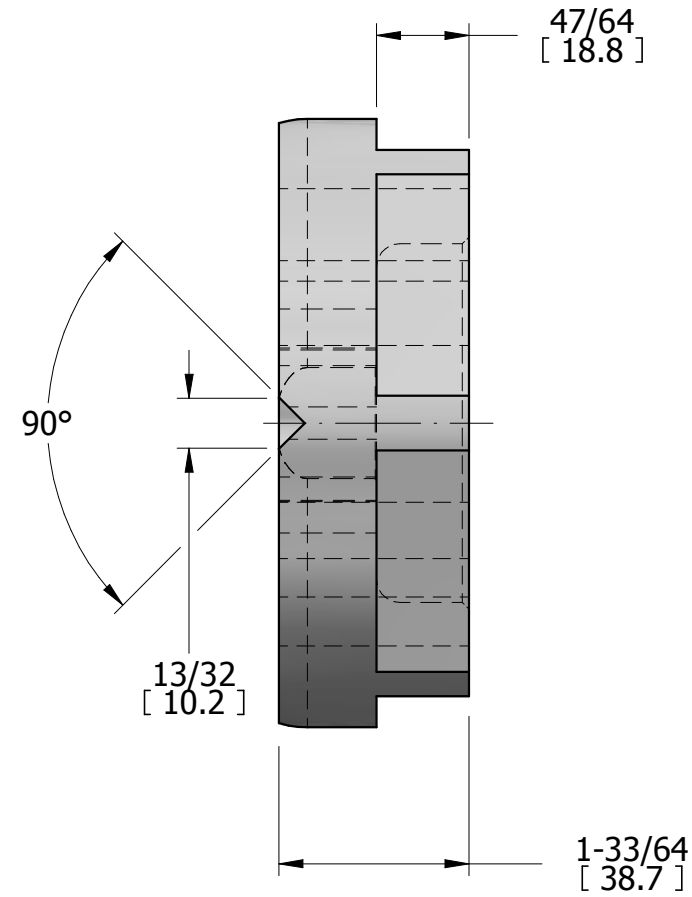
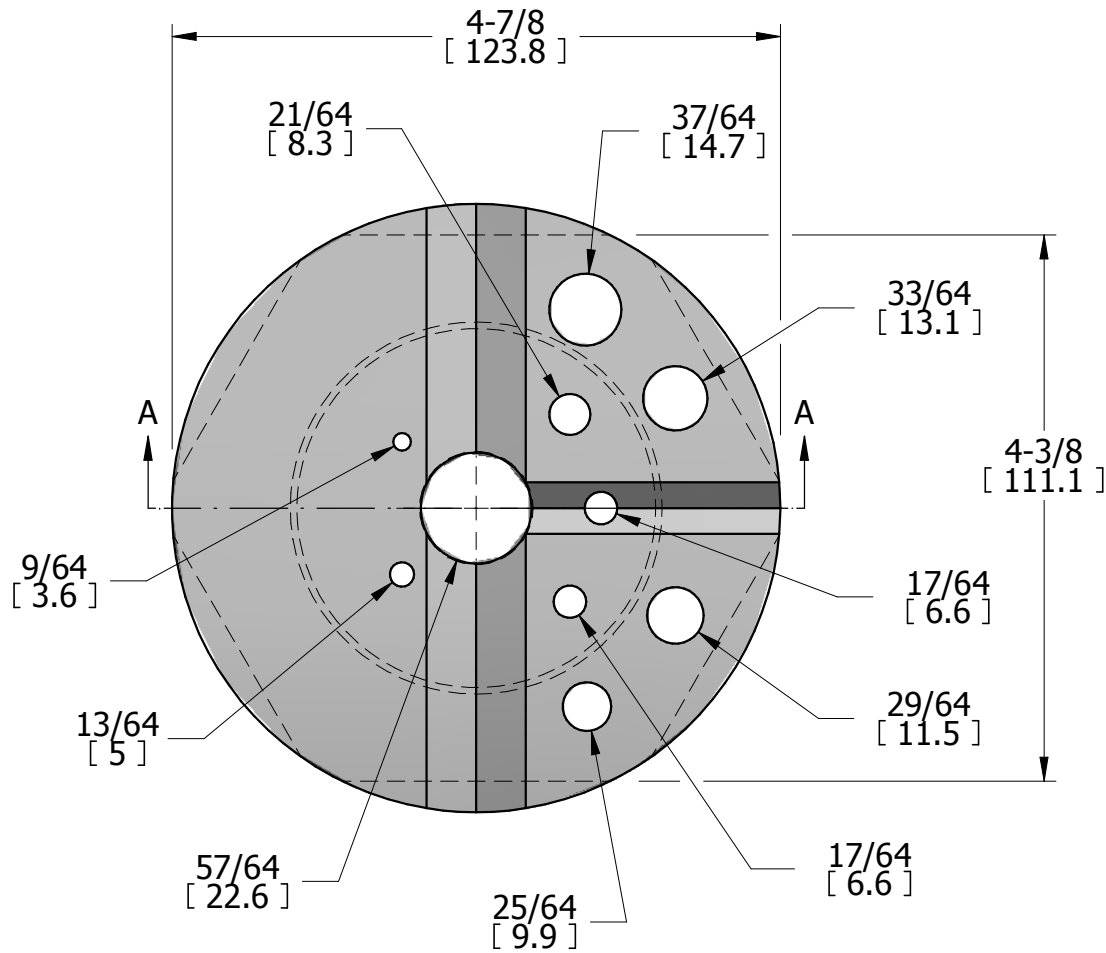


OPER

TOOLS



SECTION A-A

FRACTIONAL TOLERANCE $\pm 1/64$ UNLESS OTHERWISE NOTED

REV	DESCRIPTION	DATE	BY
DR	JAE	CHK	DATE
HEAVY DUTY BENCH BLOCK			
THE L.S. STARRETT CO. ATHOL, MASS.			