

SH. 1
OF 1

CAT NO

123Z-36

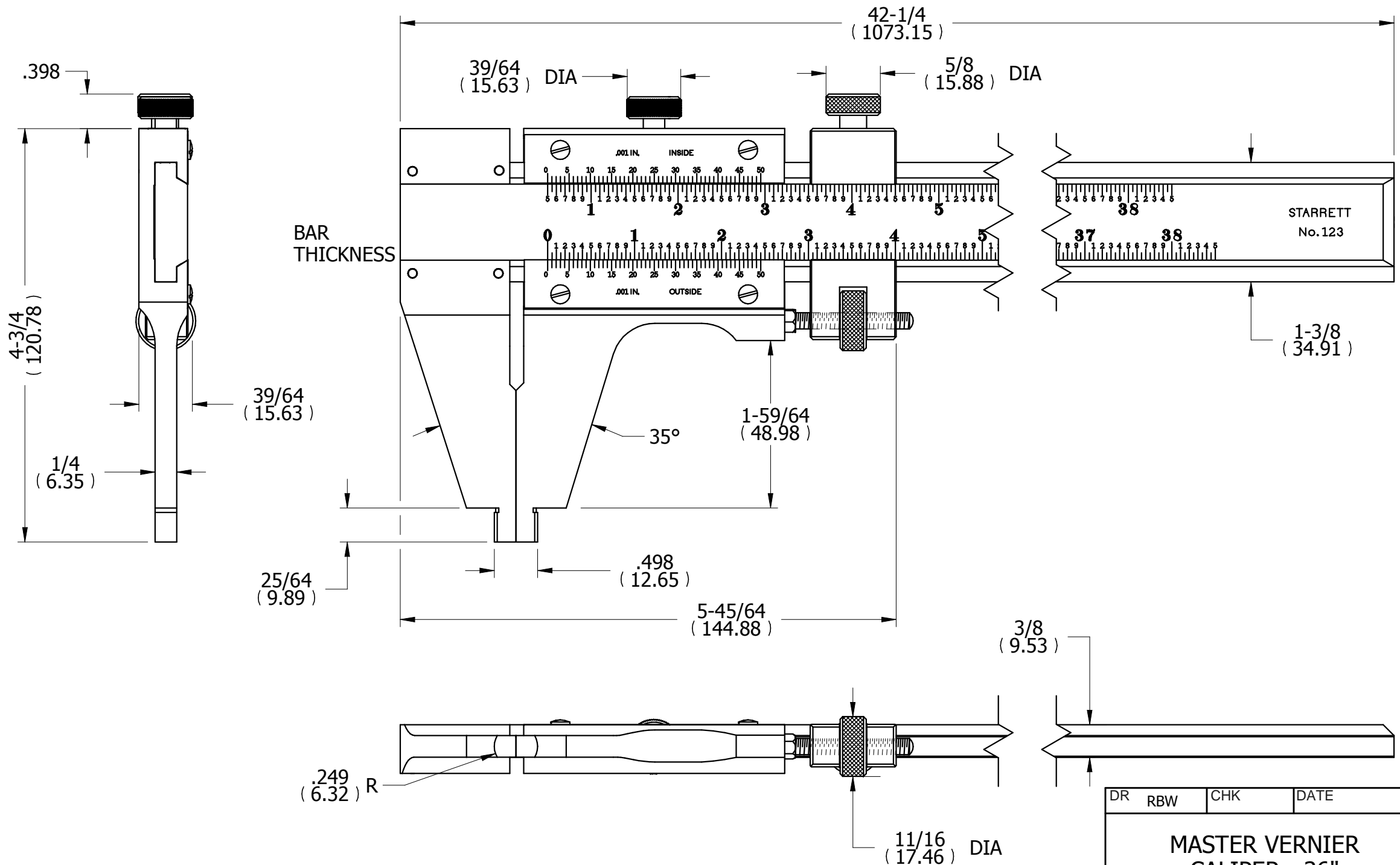
CUSTOMER DIMENSIONS

DO NOT
SEPARATE
PRINT FROM
WORK

LOT NO

OPER

TOOLS



BAR
THICKNESS

FRACTIONAL TOLERANCE +- 1/64 UNLESS OTHERWISE NOTED

DR	RBW	CHK	DATE
MASTER VERNIER CALIPER - 36"			
THE L.S. STARRETT CO. ATHOL, MASS.			