

SH. 1
OF 1

CAT NO

136

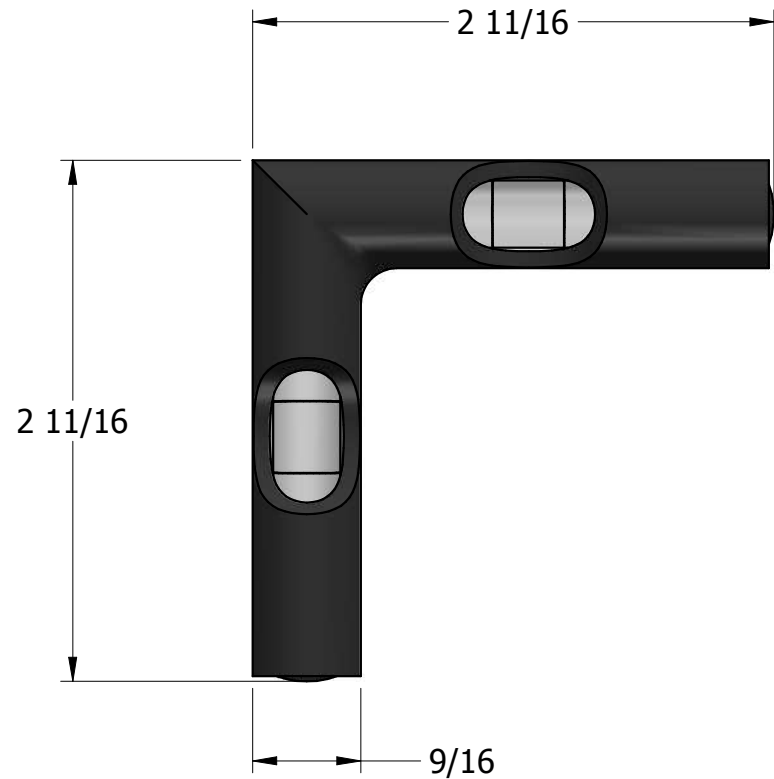
CUSTOMER DIMENSIONS

DO NOT
SEPARATE
PRINT FROM
WORK

LOT NO

OPER

TOOLS



| | | | |
|-----|-------------|------|----|
| | | | |
| | | | |
| | | | |
| | | | |
| | | | |
| | | | |
| | | | |
| | | | |
| REV | DESCRIPTION | DATE | BY |

| | | | |
|----|-----|-----|------|
| DR | JWG | CHK | DATE |
|----|-----|-----|------|

CROSS TEST LEVEL
ASSEMBLY

FRACTIONAL TOLERANCE $\pm \frac{1}{64}$ UNLESS OTHERWISE NOTED

THE L.S. STARRETT CO.
ATHOL, MASS.