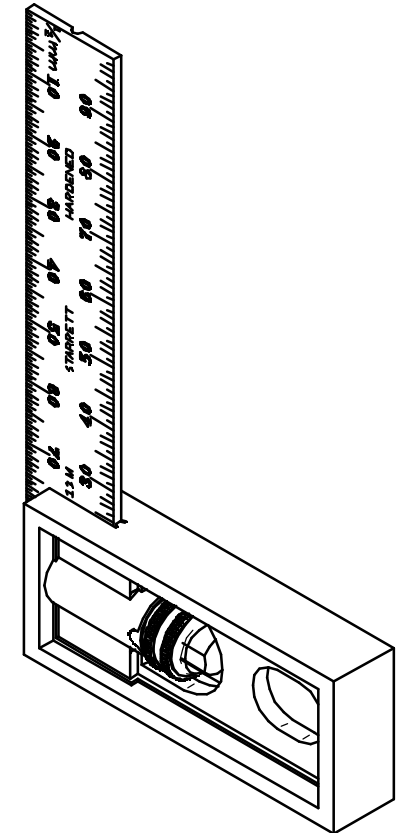
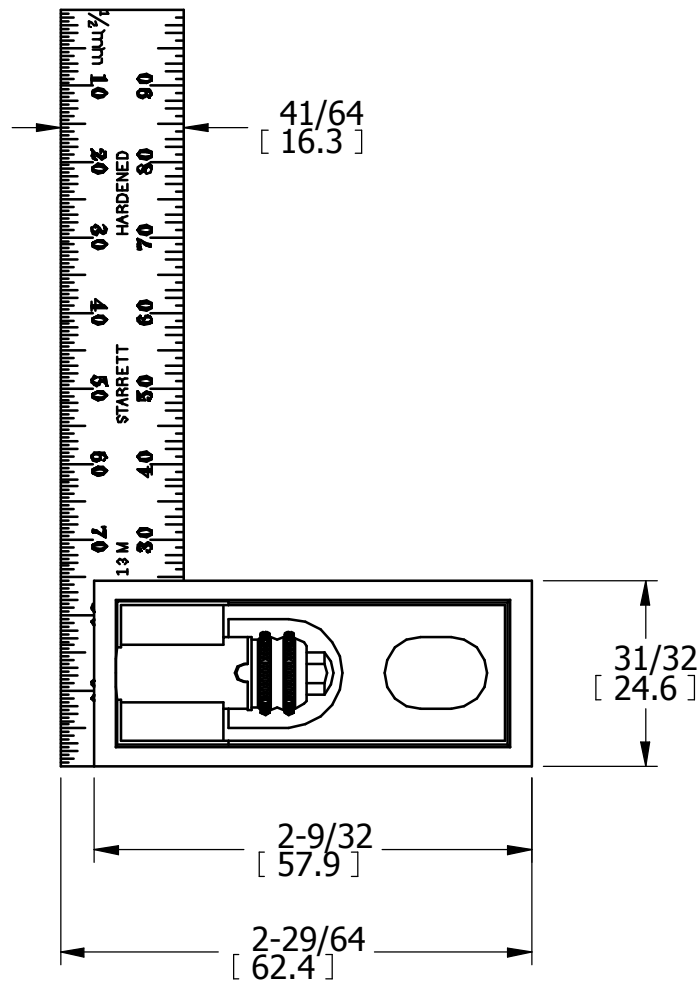
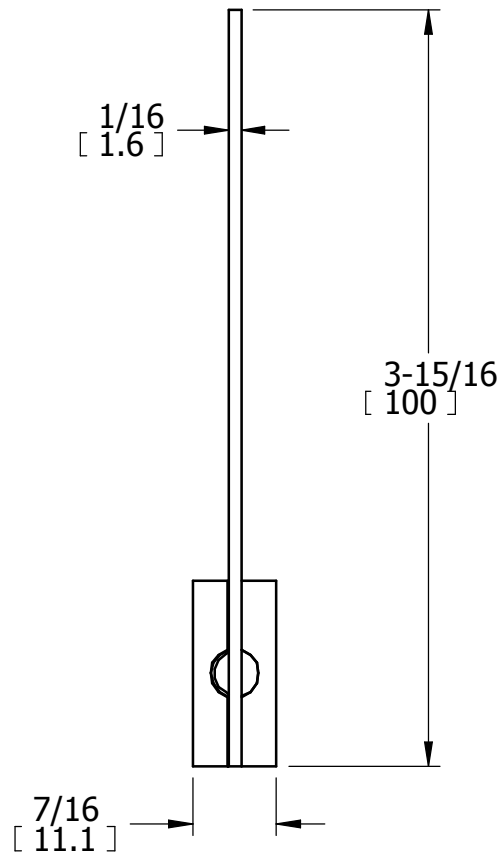


OPER

TOOLS



REV	DESCRIPTION	DATE	BY
-----	-------------	------	----

DR	WAT	CHK	DATE
----	-----	-----	------

**DOUBLE SQUARE
100mm BLADE ONLY**

**THE L.S. STARRETT CO.
ATHOL, MASS.**

FRACTIONAL TOLERANCE +- 1/64 UNLESS OTHERWISE NOTED