

SH. 1
OF 1

CAT NO

14D

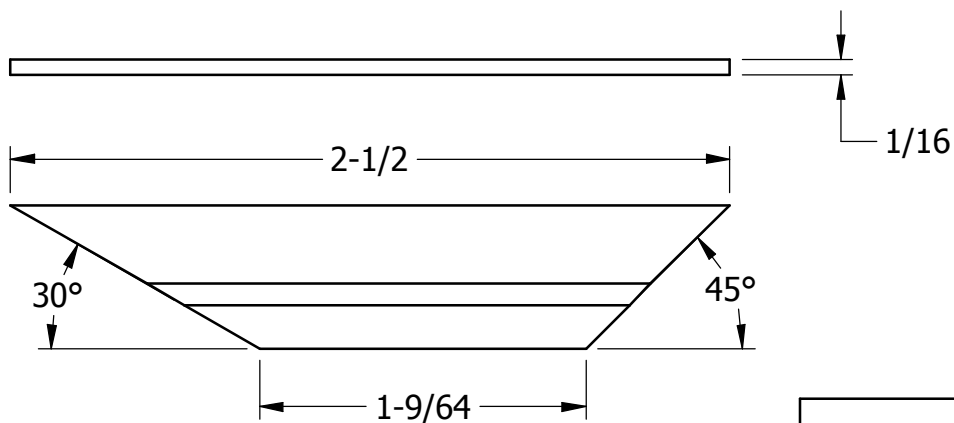
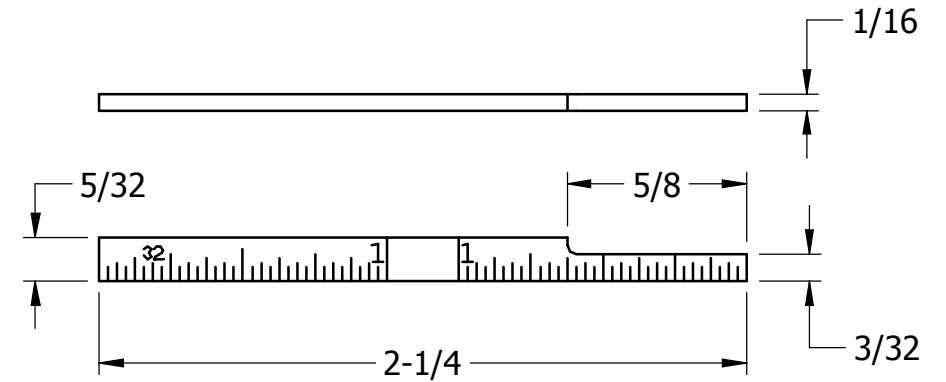
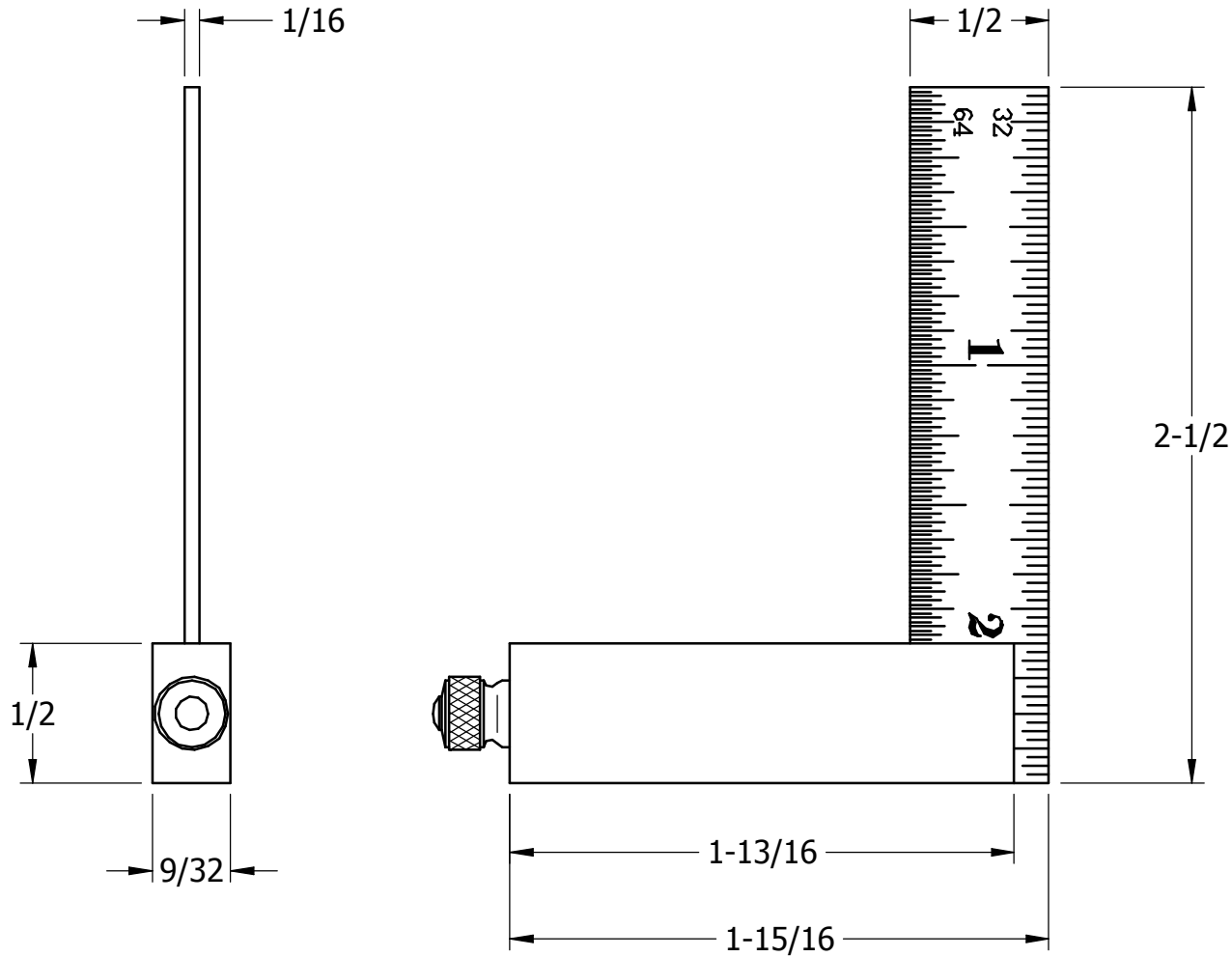
CUSTOMER DIMENSIONS

DO NOT
SEPARATE
PRINT FROM
WORK

LOT NO

OPER

TOOLS



FRACTIONAL TOLERANCE $\pm 1/64$ UNLESS OTHERWISE NOTED

REV	DESCRIPTION	DATE	BY
DR	HLS	CHK	DATE
DOUBLE STEEL SQUARE ENGLISH			
THE L.S. STARRETT CO. ATHOL, MASS.			