

SH. 1
OF 1

CAT NO

161B

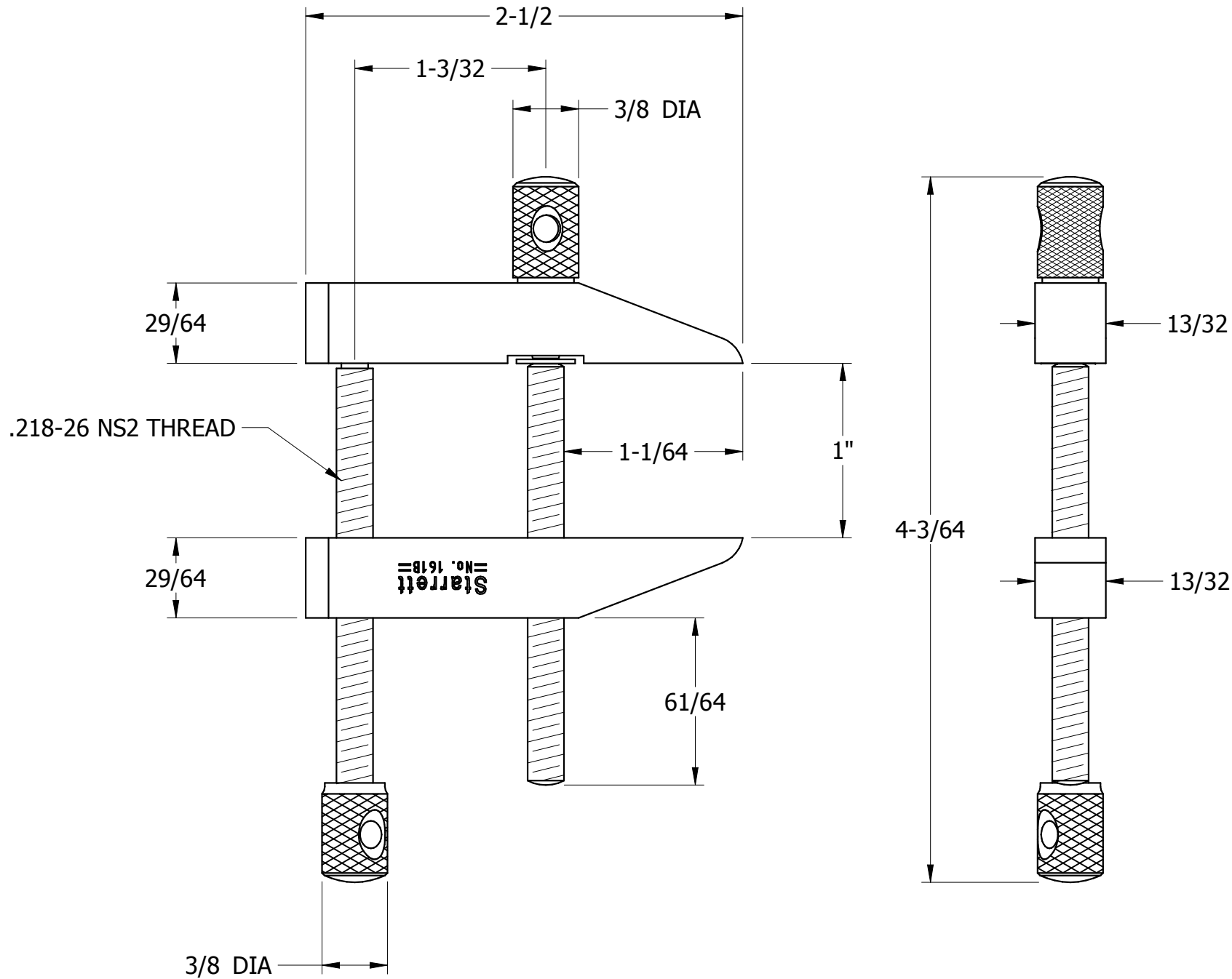
CUSTOMER DIMENSIONS

DO NOT
SEPARATE
PRINT FROM
WORK

LOT NO

OPER

TOOLS



FRACTIONAL TOLERANCE $\pm \frac{1}{64}$ UNLESS OTHERWISE NOTED

REV	DESCRIPTION	DATE	BY
-----	-------------	------	----

DR	DCB	CHK	DATE
----	-----	-----	------

TOOLMAKERS
PARALLEL CLAMPS

THE L.S. STARRETT CO.
ATHOL, MASS.