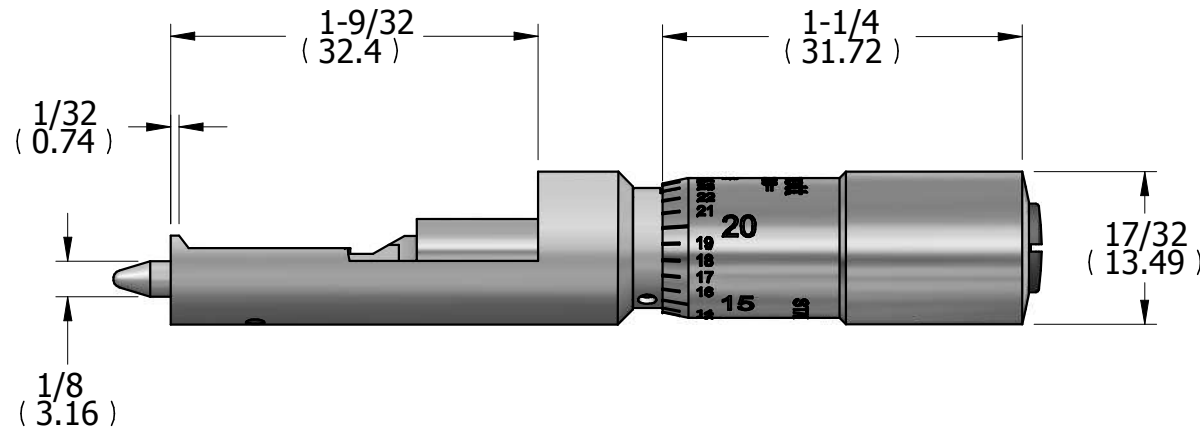
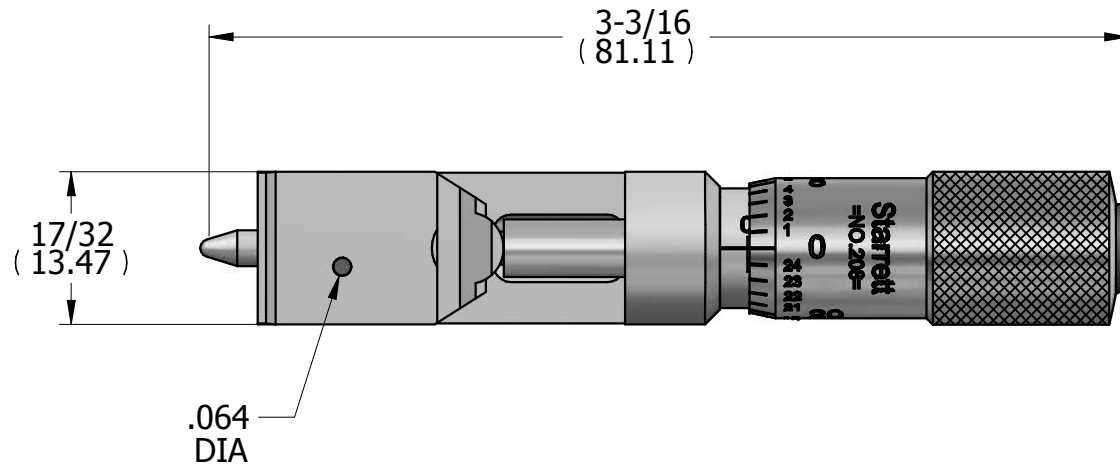


OPER

TOOLS




REV	DESCRIPTION	DATE	BY
-----	-------------	------	----

DR	E.G.H.	CHK	DATE
----	--------	-----	------

METRIC  
SEAM & C'SINK  
DEPTH MEASUREMENT  
MICROMETER

THE L.S. STARRETT CO.  
ATHOL, MASS.

FRACTIONAL TOLERANCE +- 1/64 UNLESS OTHERWISE NOTED