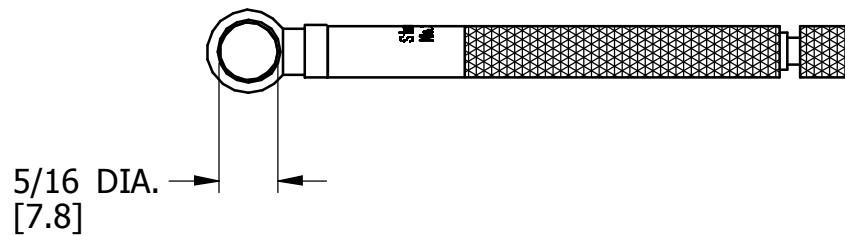
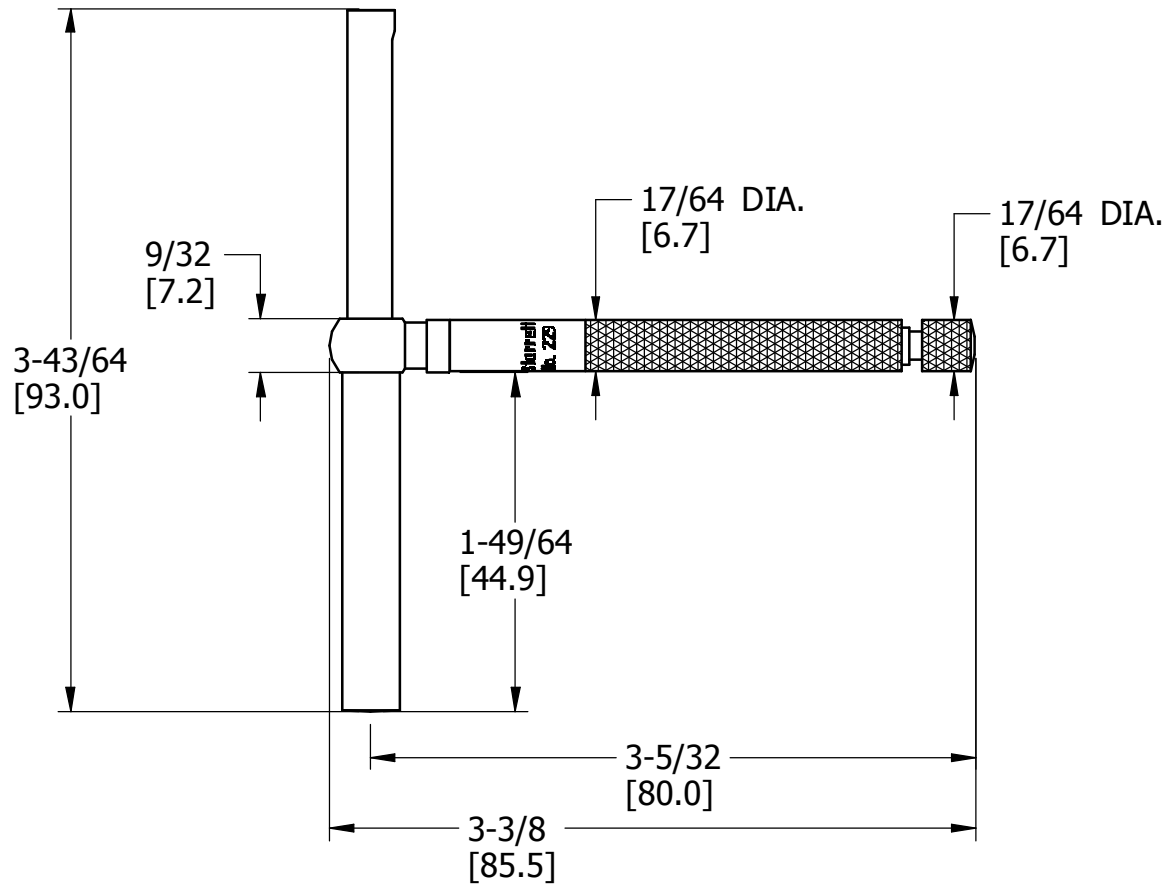
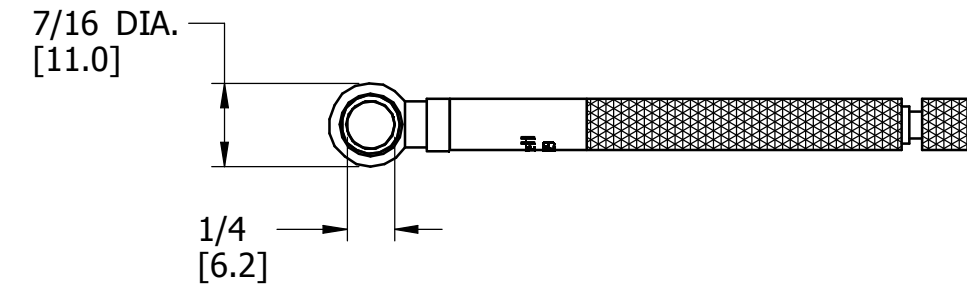


OPER

TOOLS



REV	DESCRIPTION	DATE	BY
DR	PBM	CHK	DATE

2-1/8" - 3-1/2"
TELESCOPING GAE
ASSEMBLY

THE L.S. STARRETT CO.
ATHOL, MASS.

FRACTIONAL TOLERANCE +- 1/64 UNLESS OTHERWISE NOTED