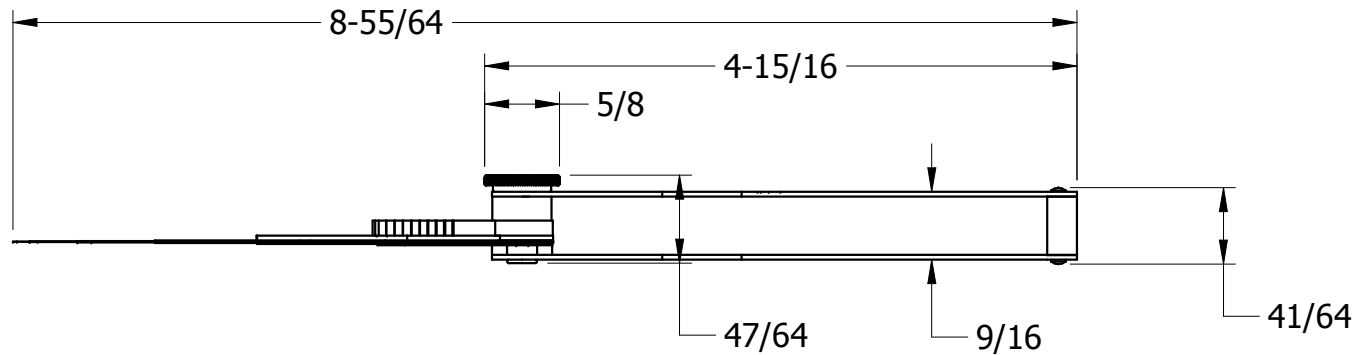
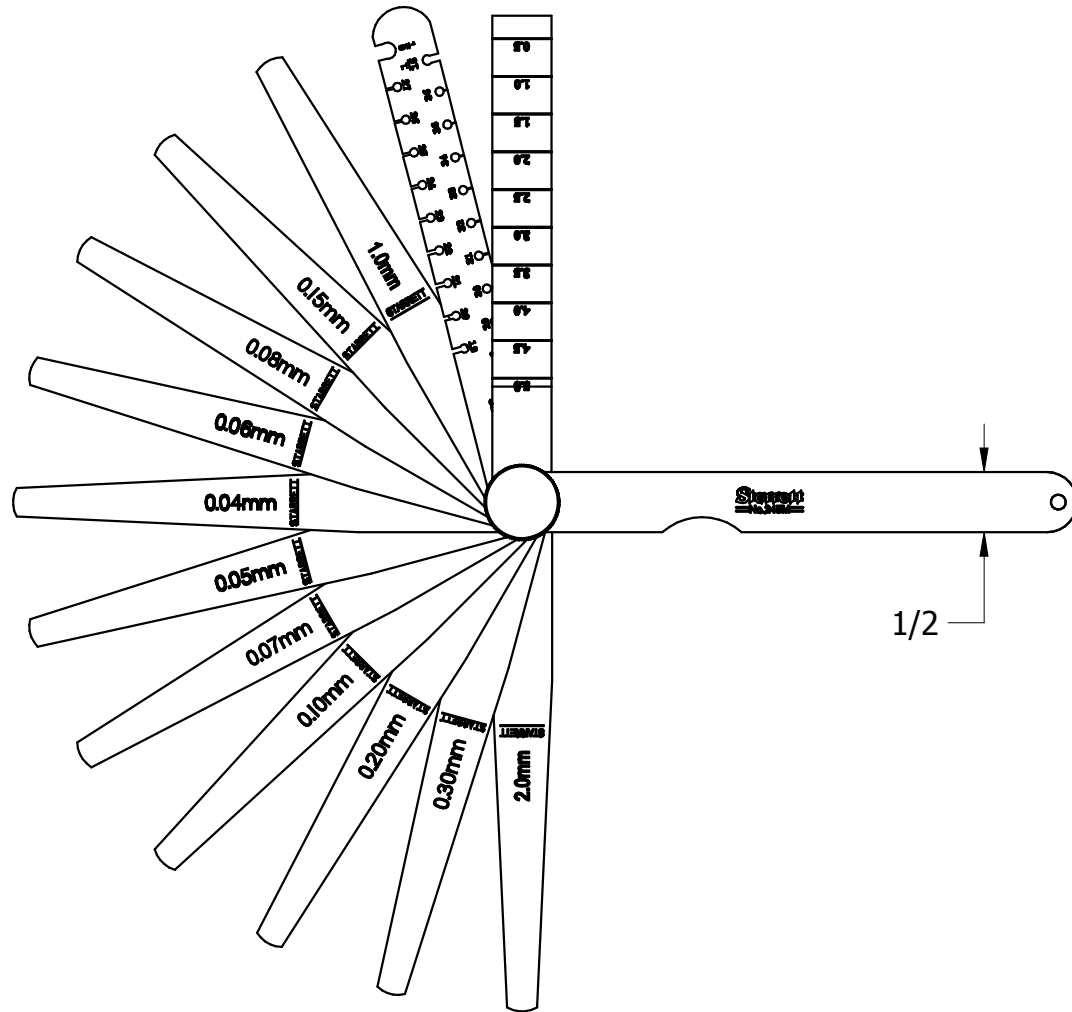


OPER

TOOLS




REV	DESCRIPTION	DATE	BY
-----	-------------	------	----

DR	HLS	CHK	DATE
----	-----	-----	------

ENGINEER'S TAPER,  
WIRE & THICKNESS  
GAGE

THE L.S. STARRETT CO.  
ATHOL, MASS.

FRACTIONAL TOLERANCE +- 1/64 UNLESS OTHERWISE NOTED