

SH. 1
OF 1

CAT NO 436.1MXRLZ-325

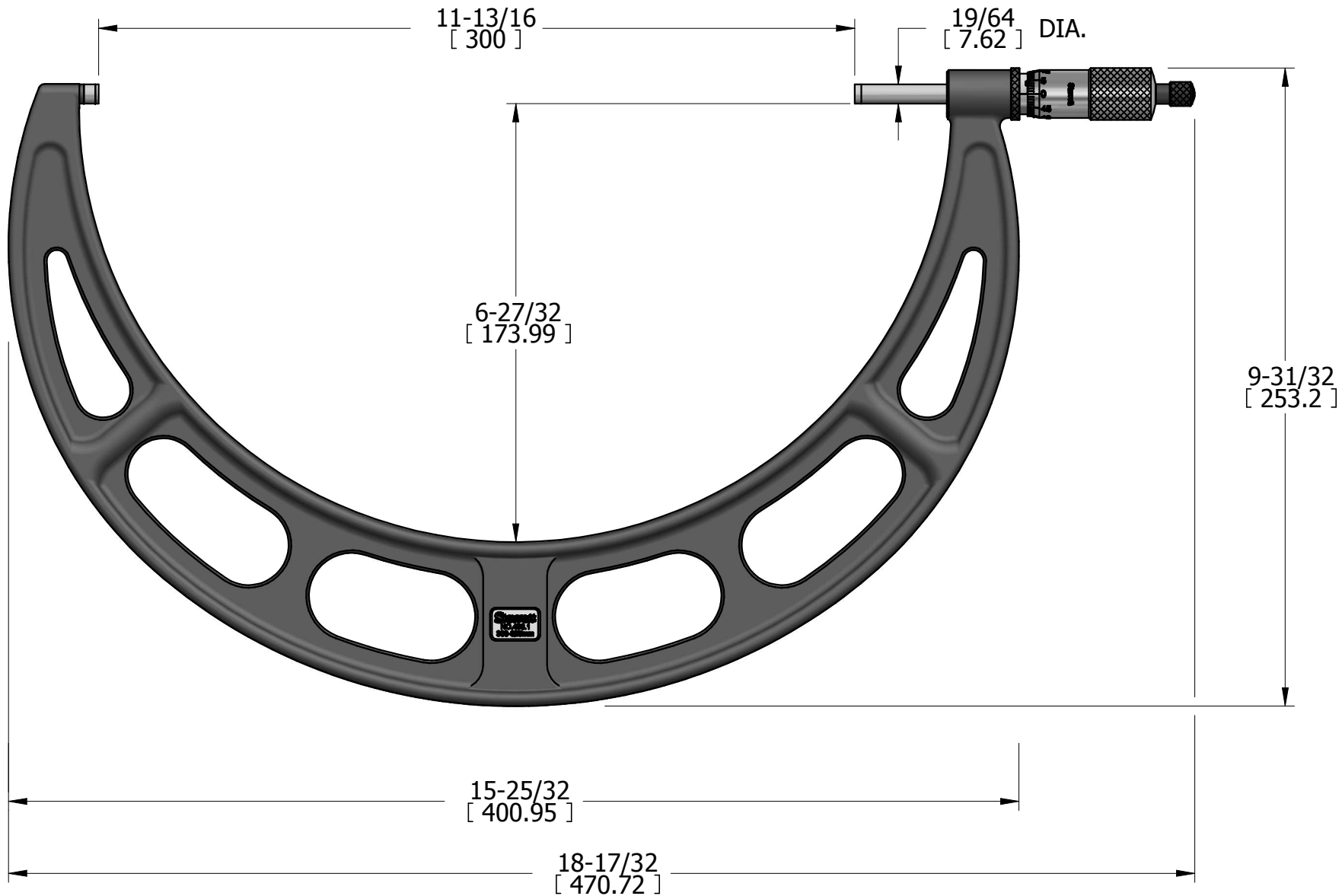
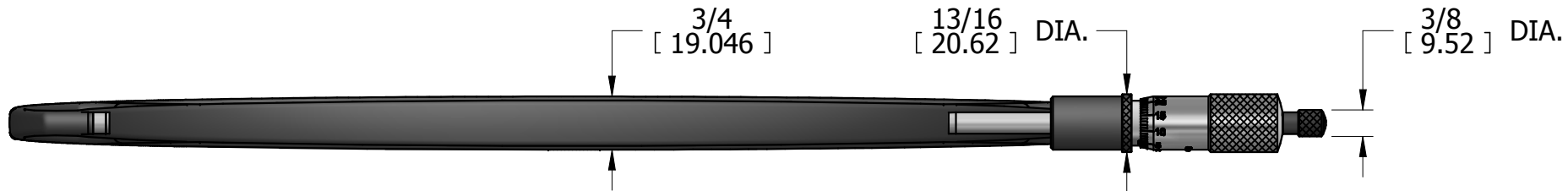
CUSTOMER DIMENSIONS

DO NOT
SEPARATE
PRINT FROM
WORK

LOT NO

OPER

TOOLS



REV	DESCRIPTION	DATE	BY
DR	TJH	CHK	DATE 7/1/15

MICROMETER CALIPER
METRIC

THE L.S. STARRETT CO.
ATHOL, MASS.

FRACTIONAL TOLERANCE +- 1/64 UNLESS OTHERWISE NOTED