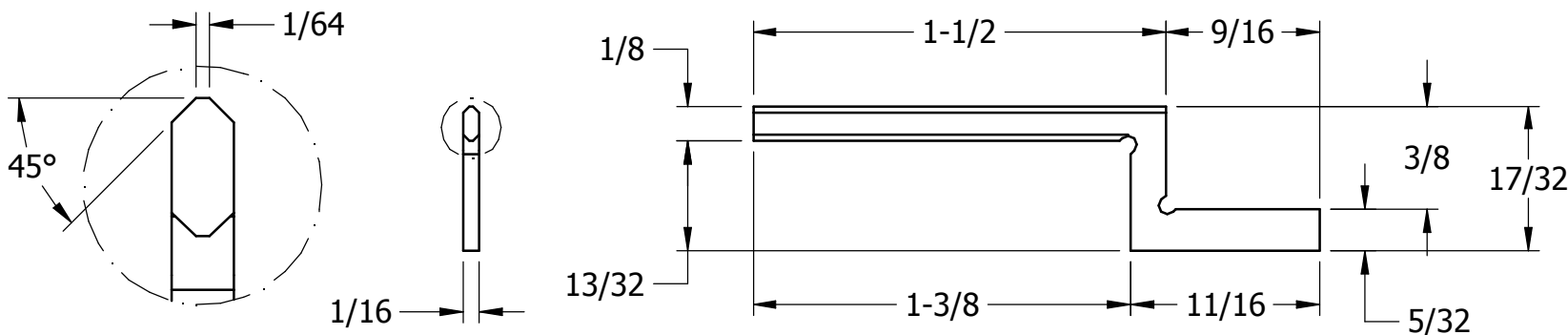
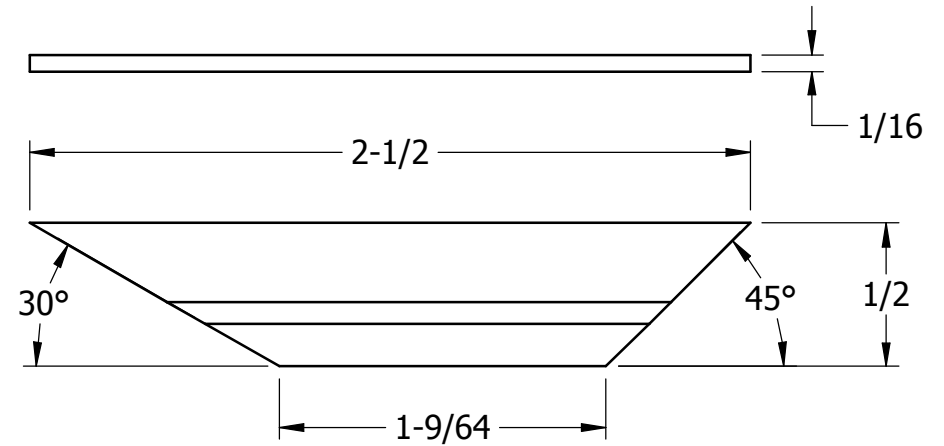
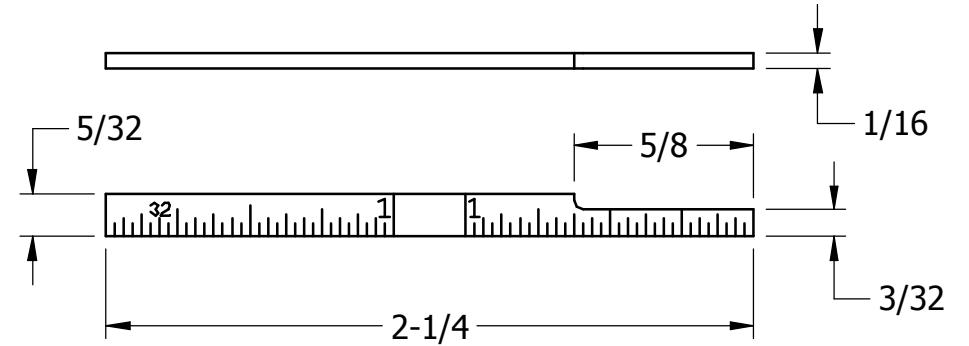
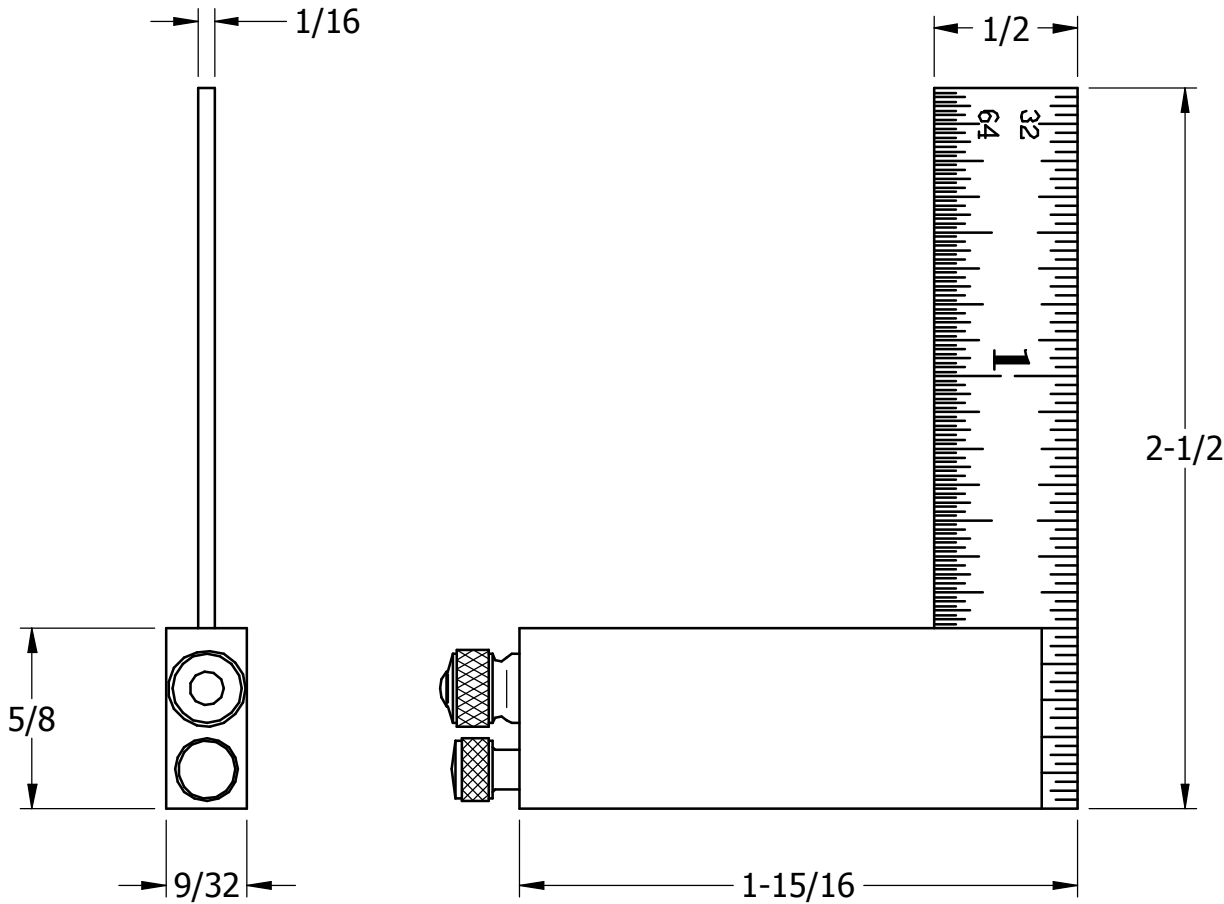


OPER

TOOLS




REV	DESCRIPTION	DATE	BY
DR	HLS	CHK	DATE

**DIE MAKER'S  
SQUARE**

THE L.S. STARRETT CO.  
ATHOL, MASS.

FRACTIONAL TOLERANCE  $\pm 1/64$  UNLESS OTHERWISE NOTED