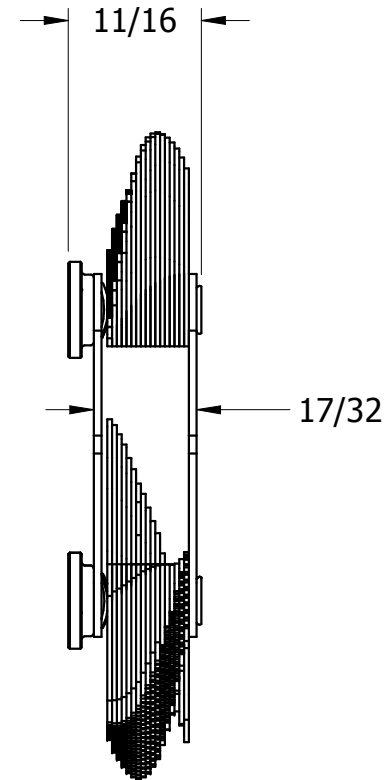
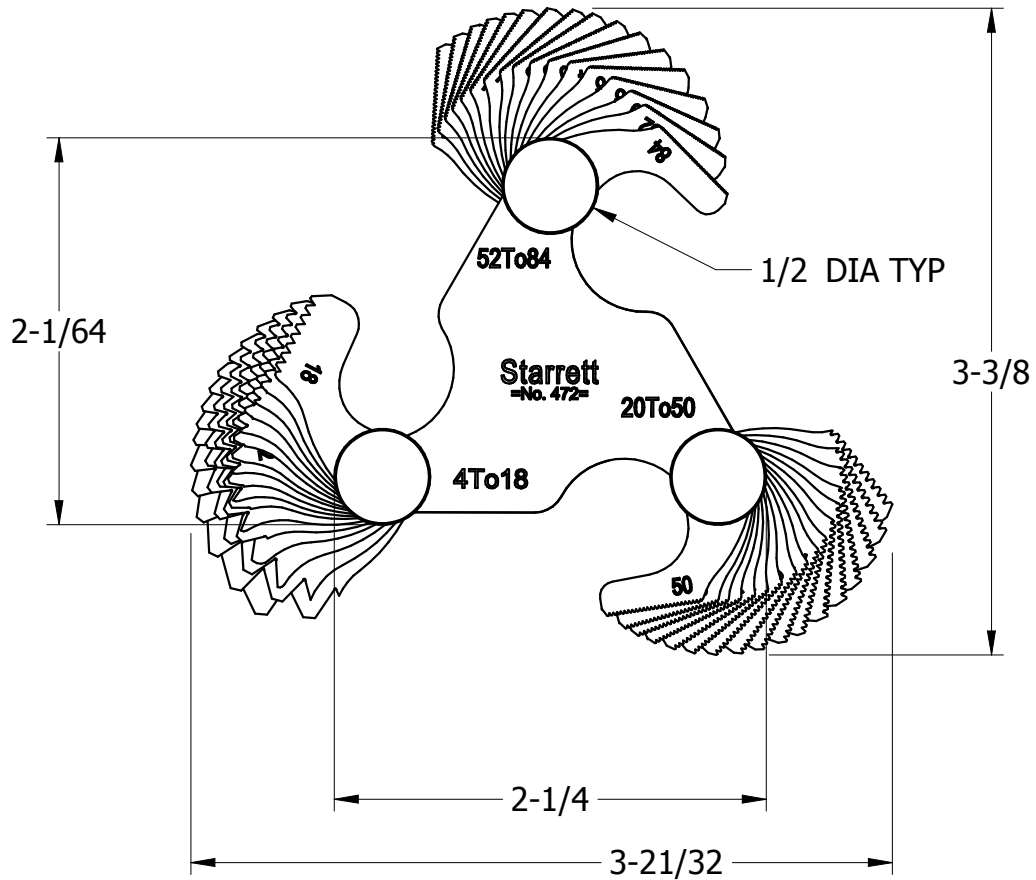


OPER

TOOLS



REV	DESCRIPTION	DATE	BY
-----	-------------	------	----

DR	V.T.G.	CHK	DATE
----	--------	-----	------

**SCREW PTICH GAGE
ASSEMBLY**

THE L.S. STARRETT CO.
ATHOL, MASS.

FRACTIONAL TOLERANCE +- 1/64 UNLESS OTHERWISE NOTED