

SH. 1
OF 1

CAT NO

C33-1224

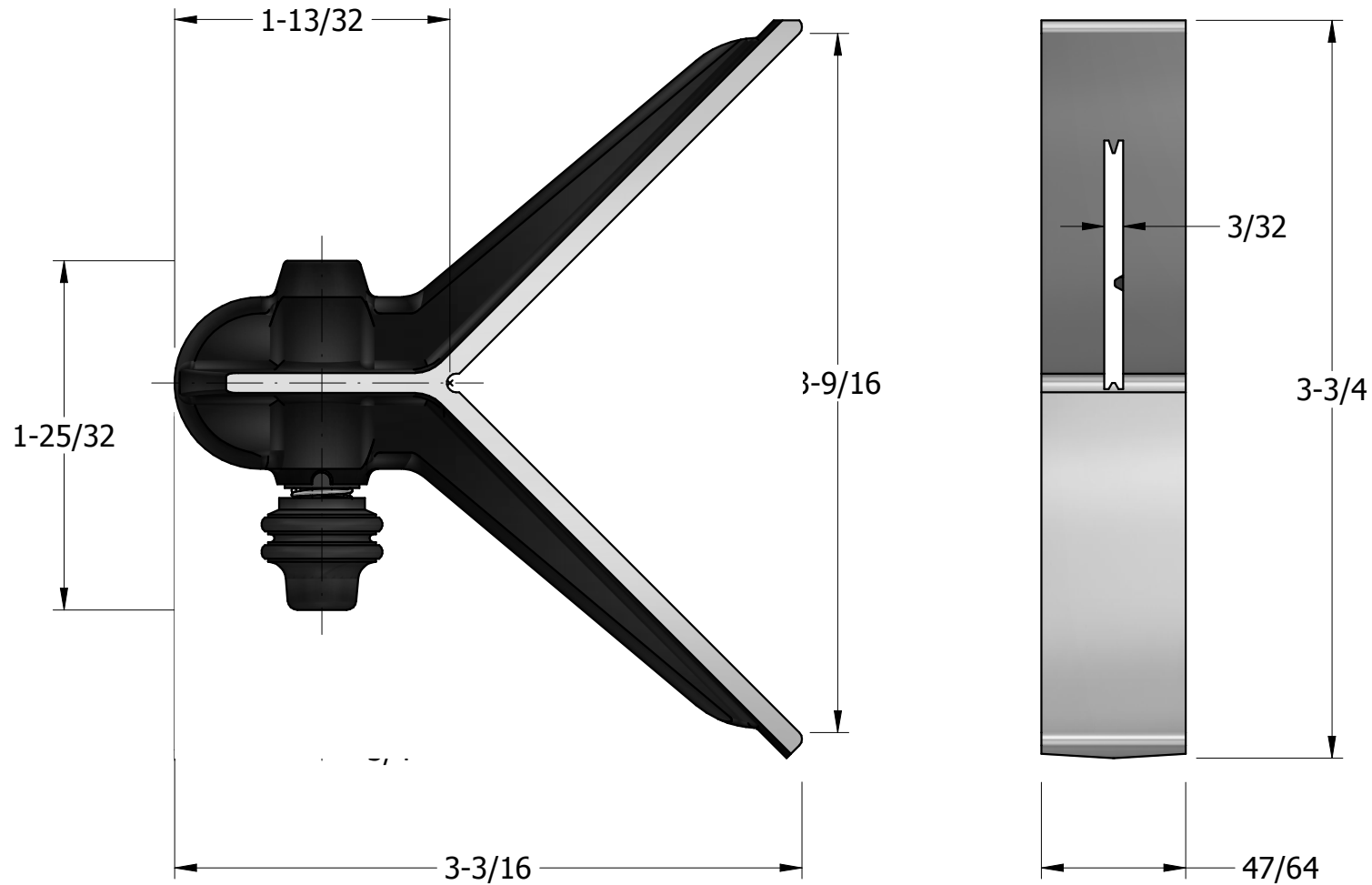
CUSTOMER DIMENSIONS

DO NOT
SEPARATE
PRINT FROM
WORK

LOT NO

FORGED AND HARDENED STEEL
WITH SMOOTH BLACK ENAMEL FINISH

INCLUDES: REVERSIBLE LOCK BOLT



| REV | DESCRIPTION | DATE | BY |
|-----|-------------|------|-------------|
| DR | JMR | CHK | DATE 8/5/14 |

CENTER HEAD
ONLY

THE L.S. STARRETT CO.
ATHOL, MASS.

FRACTIONAL TOLERANCE $\pm 1/64$ UNLESS OTHERWISE NOTED