

SH. 1
OF 1

CAT NO

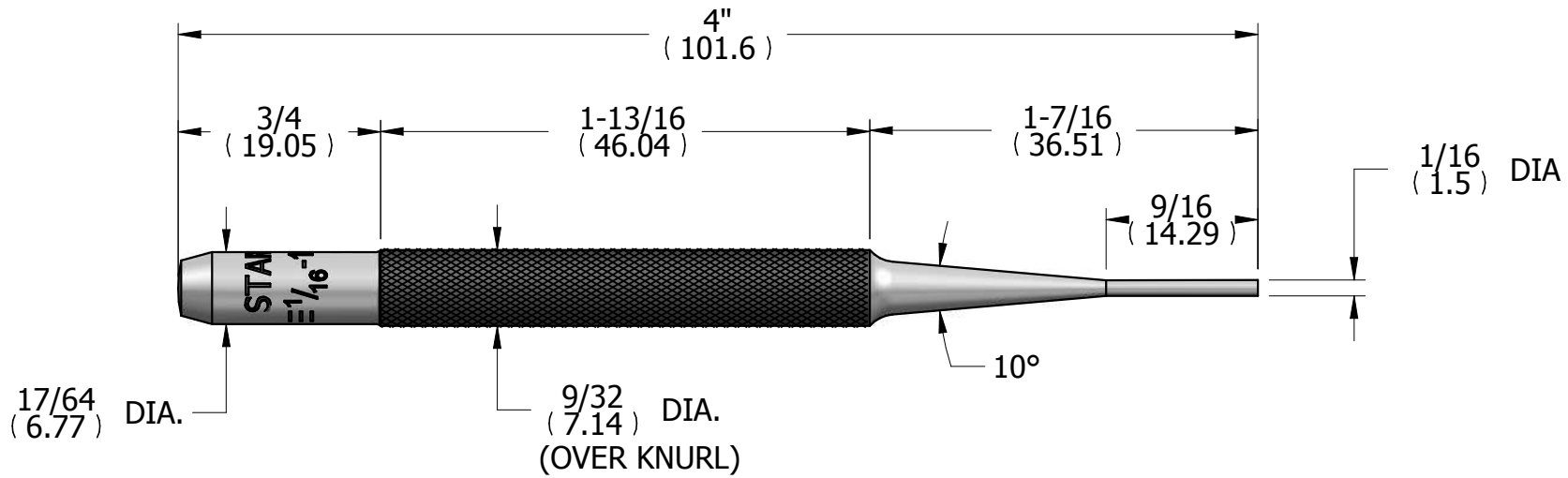
565A

CUSTOMER DIMENSIONS

DO NOT
SEPARATE
PRINT FROM
WORK

OPER

TOOLS



REV	DESCRIPTION	DATE	BY
-----	-------------	------	----

DR	JAC	CHK	DATE
----	-----	-----	------

1/16 DRIVE PIN
PUNCH

FRACTIONAL TOLERANCE +- 1/64 UNLESS OTHERWISE NOTED

THE L.S. STARRETT CO.
ATHOL, MASS.