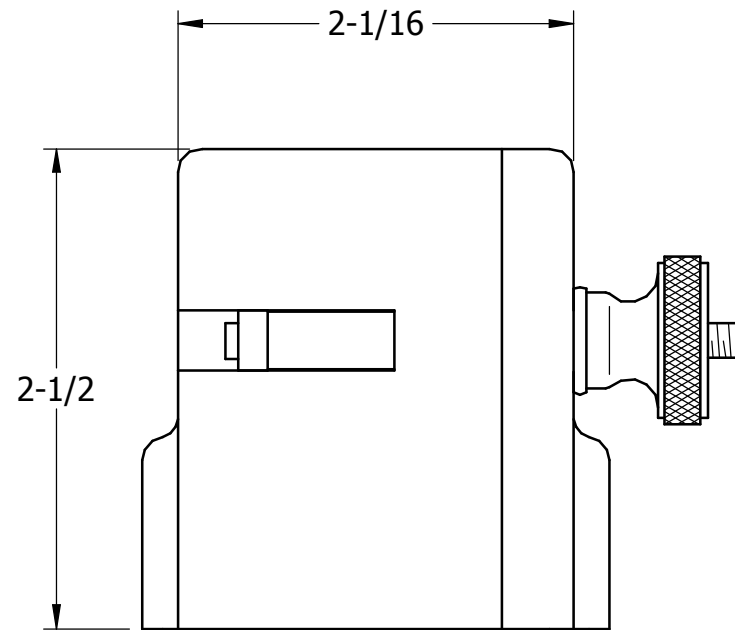
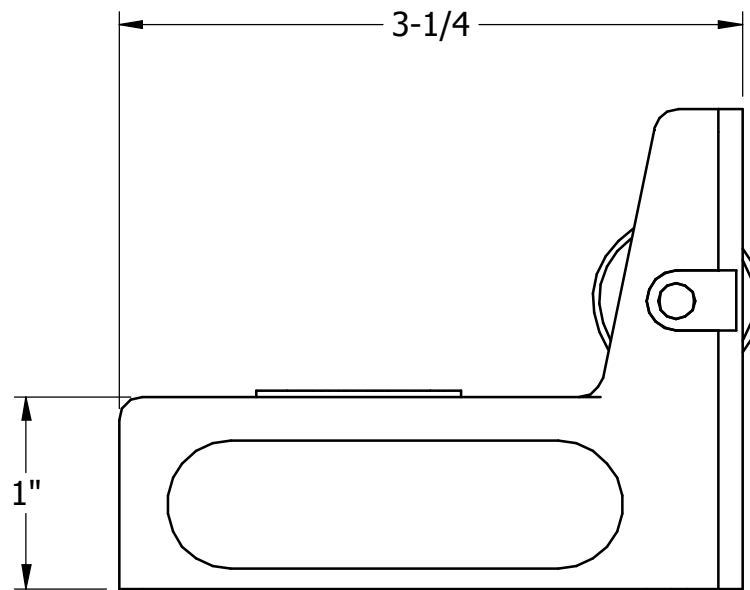
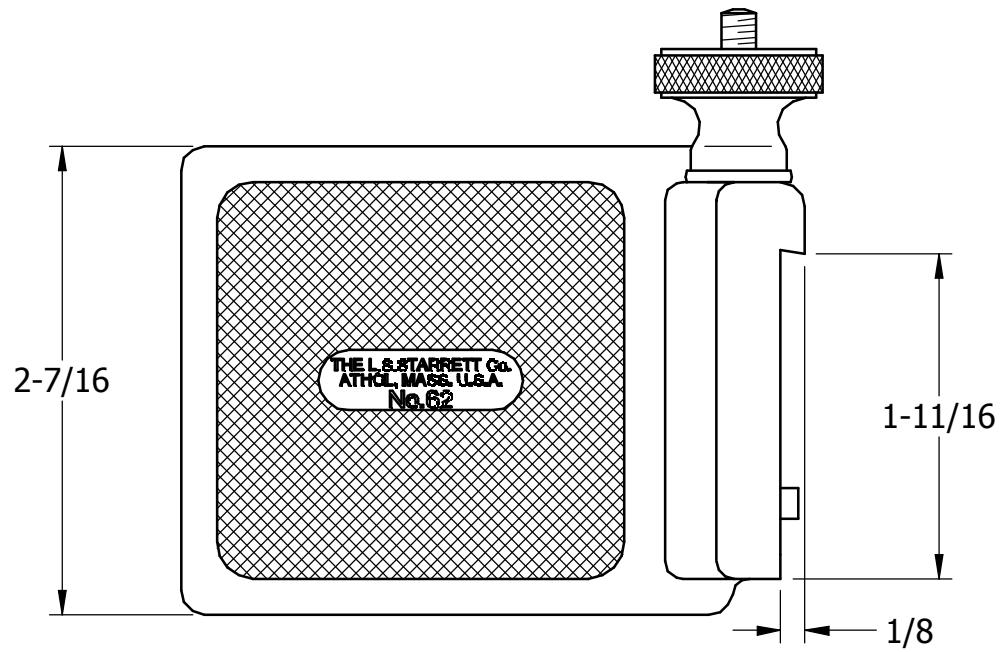


OPER

TOOLS



REV	DESCRIPTION	DATE	BY
DR	JSH	CHK	DATE

**RULE
HOLDER**

**THE L.S. STARRETT CO.
ATHOL, MASS.**

FRACTIONAL TOLERANCE +- 1/64 UNLESS OTHERWISE NOTED