

SH. 1
OF 1

CAT NO

644MJZ

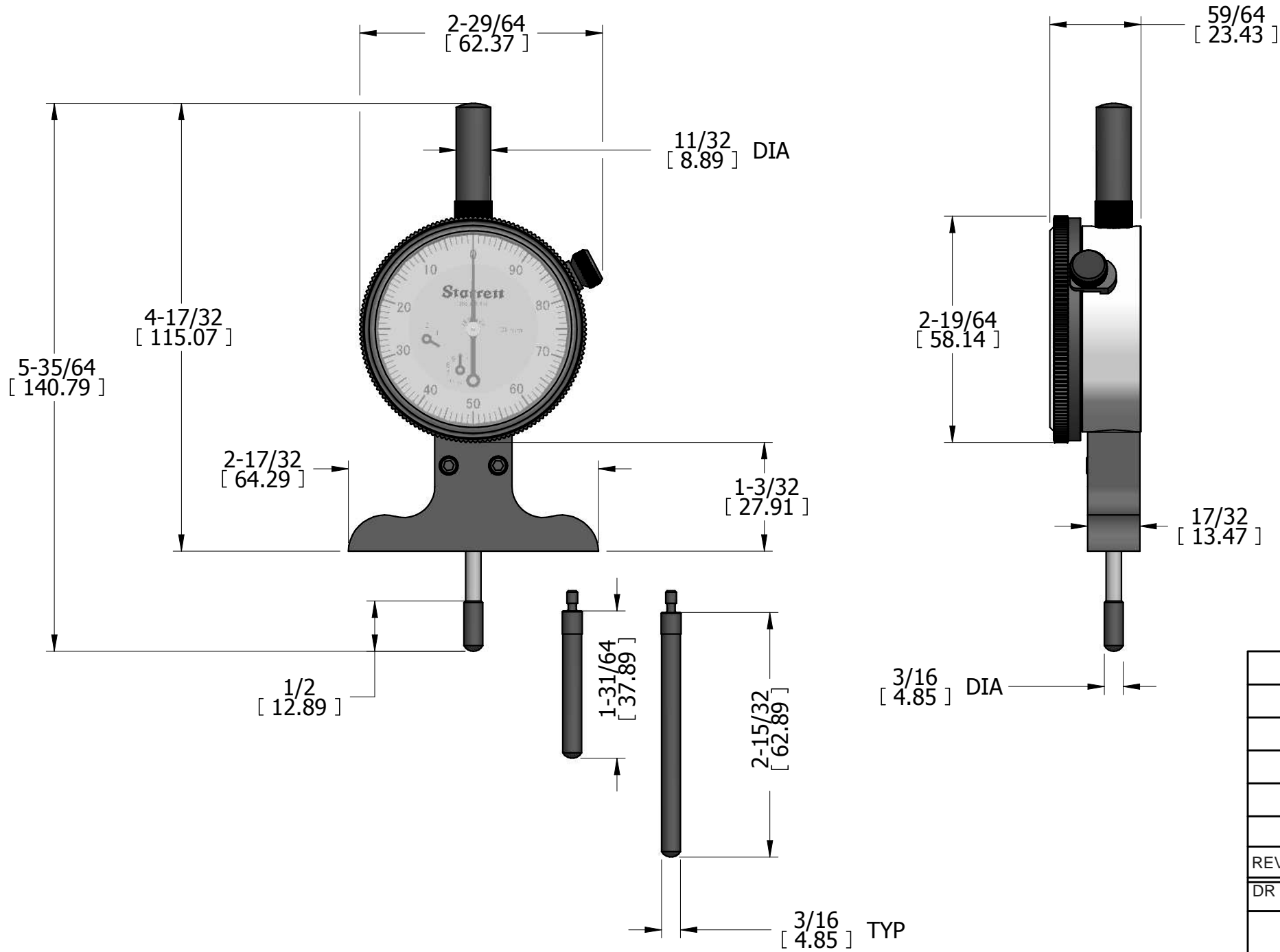
CUSTOMER DIMENSIONS

DO NOT
SEPARATE
PRINT FROM
WORK

LOT NO

OPER

TOOLS



REV	DESCRIPTION	DATE	BY
DR	DSP	CHK	DATE 9/14/15

DIAL DEPTH GAGE
(0 - 75mm) RANGE

THE L.S. STARRETT CO.
ATHOL, MASS.

FRACTIONAL TOLERANCE +- 1/64 UNLESS OTHERWISE NOTED