

SH. 1
OF 1

CAT NO

657P

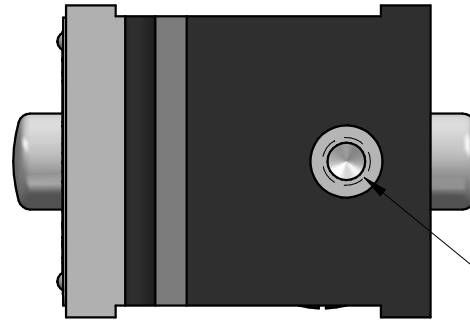
CUSTOMER DIMENSIONS

DO NOT
SEPARATE
PRINT FROM
WORK

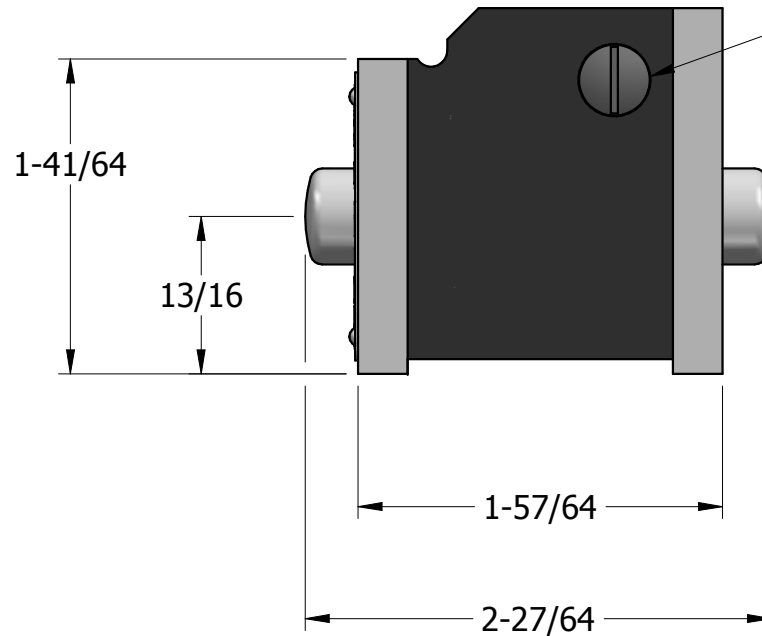
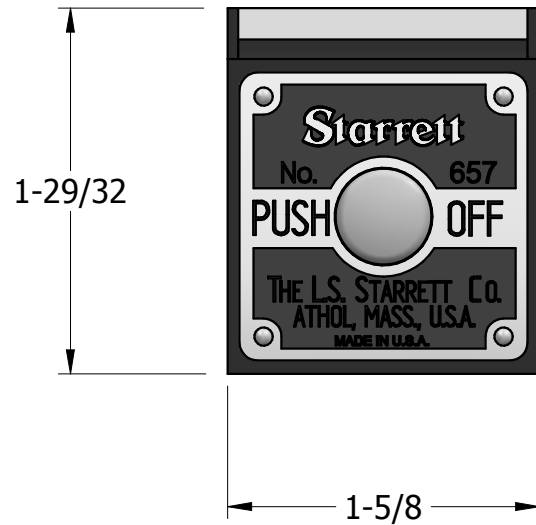
LOT NO

OPER

TOOLS



1/4-20 THREAD
X 5/16 DEEP
(2 PLCS.)



SCREW
09770-0

REV	DESCRIPTION	DATE	BY
DR	JEG	CHK	DATE

MAGNETIC BASE ONLY

THE L.S. STARRETT CO.
ATHOL, MASS.

FRACTIONAL TOLERANCE +- 1/64 UNLESS OTHERWISE NOTED