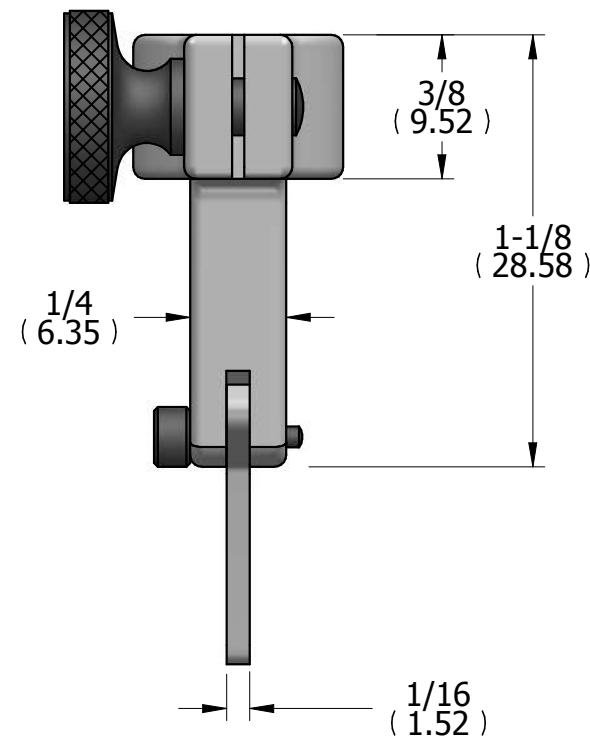
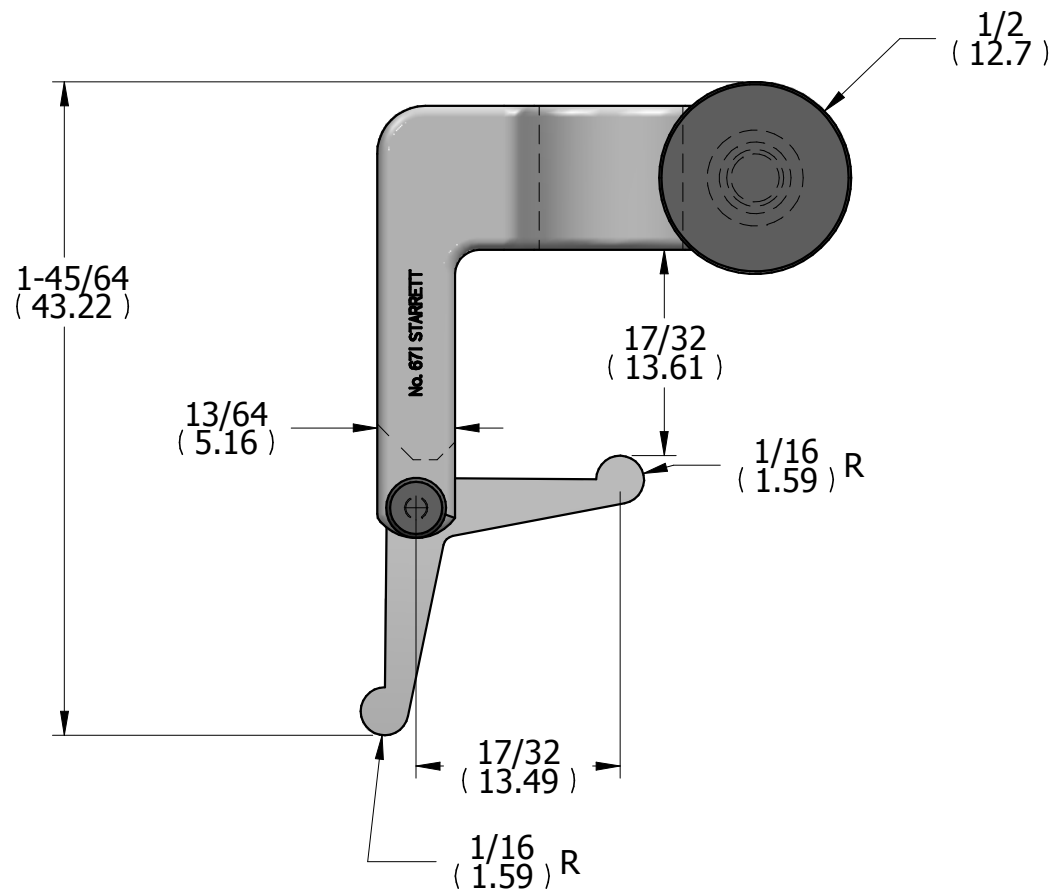
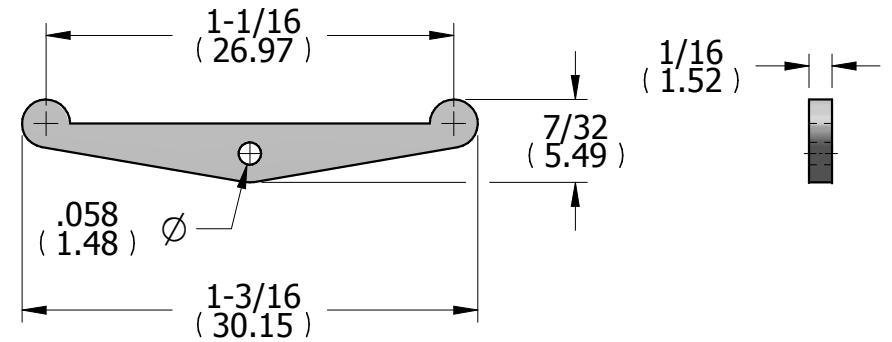
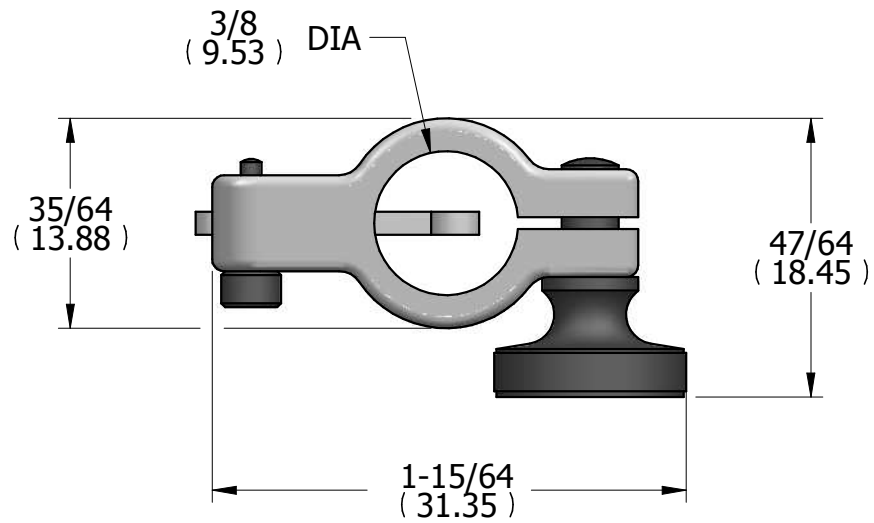


OPER

TOOLS



REV	DESCRIPTION	DATE	BY
DR	HS	CHK	DATE

UNIVERSAL ATTACHMENT
ASSEMBLY

THE L.S. STARRETT CO.
ATHOL, MASS.