

SH. 1
OF 1

CAT NO

67B

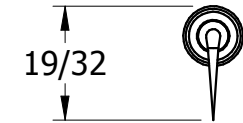
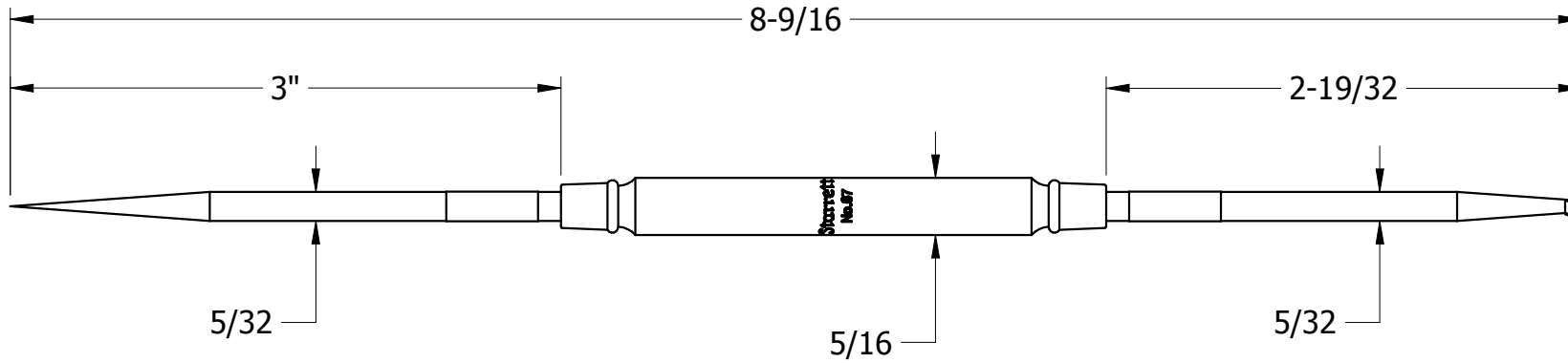
CUSTOMER DIMENSIONS

DO NOT
SEPARATE
PRINT FROM
WORK

LOT NO

OPER

TOOLS



REV	DESCRIPTION	DATE	BY
-----	-------------	------	----

DR	EW	CHK	DATE
----	----	-----	------

**SCRIBER
ASSEMBLY**

FRACTIONAL TOLERANCE +- 1/64 UNLESS OTHERWISE NOTED

**THE L.S. STARRETT CO.
ATHOL, MASS.**