

SH. 1  
OF 1

CAT NO

798BX-6/150

SIZE

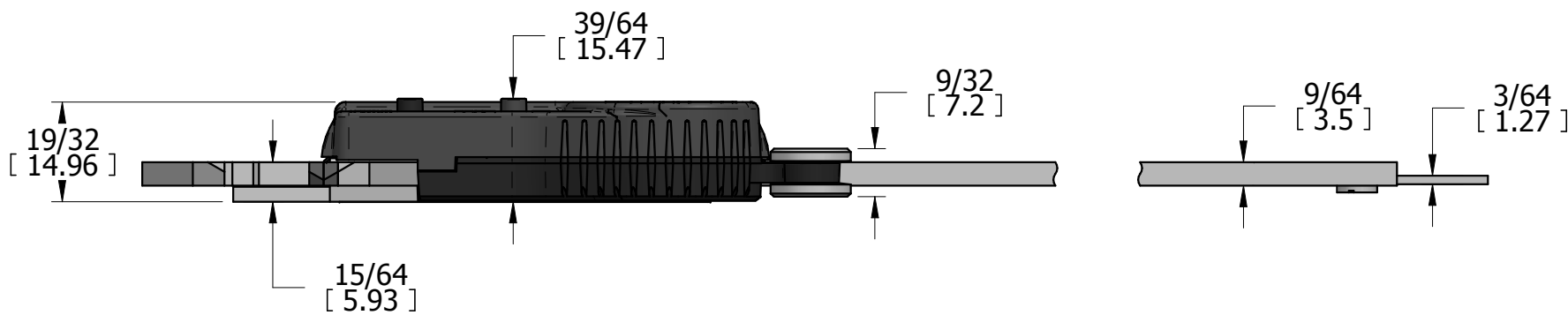
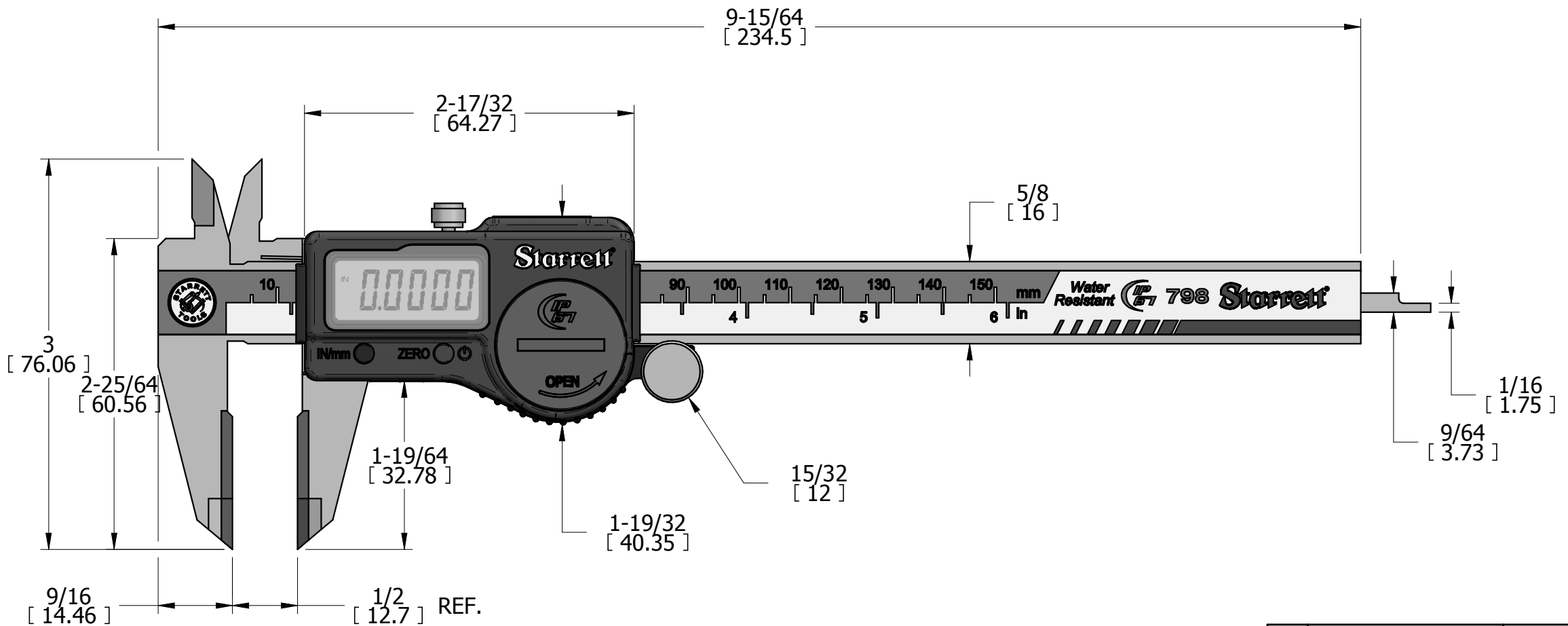
6"

DO NOT  
SEPARATE  
PRINT FROM  
WORK

LOT NO

OPER

TOOLS



FRACTIONAL TOLERANCE  $\pm 1/64$  UNLESS OTHERWISE NOTED

REV	DESCRIPTION	DATE	BY
DR	JKB	CHK	DATE
ELECTRONIC CALIPER 6" / 150mm (CARBIDE)			
THE L.S. STARRETT CO. ATHOL, MASS.			