

SH. 1  
OF 1

CAT NO

798B-12/300

SIZE

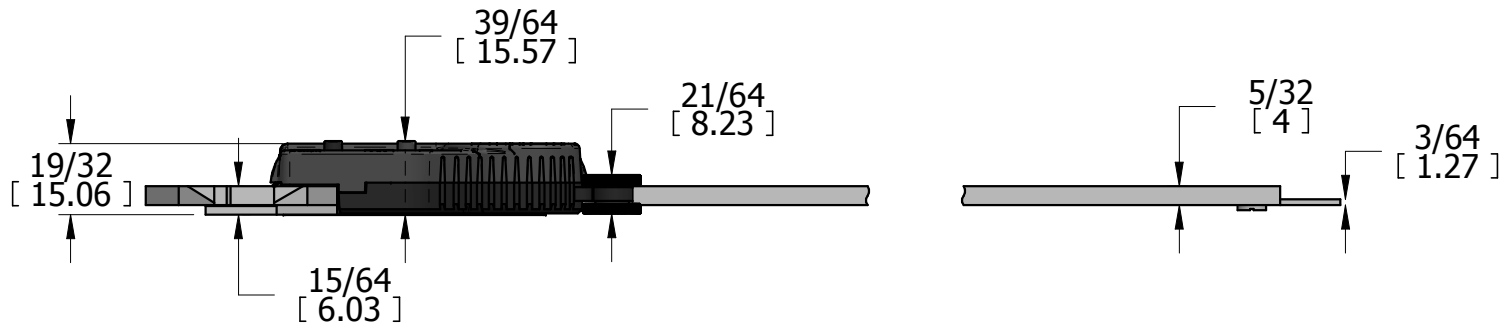
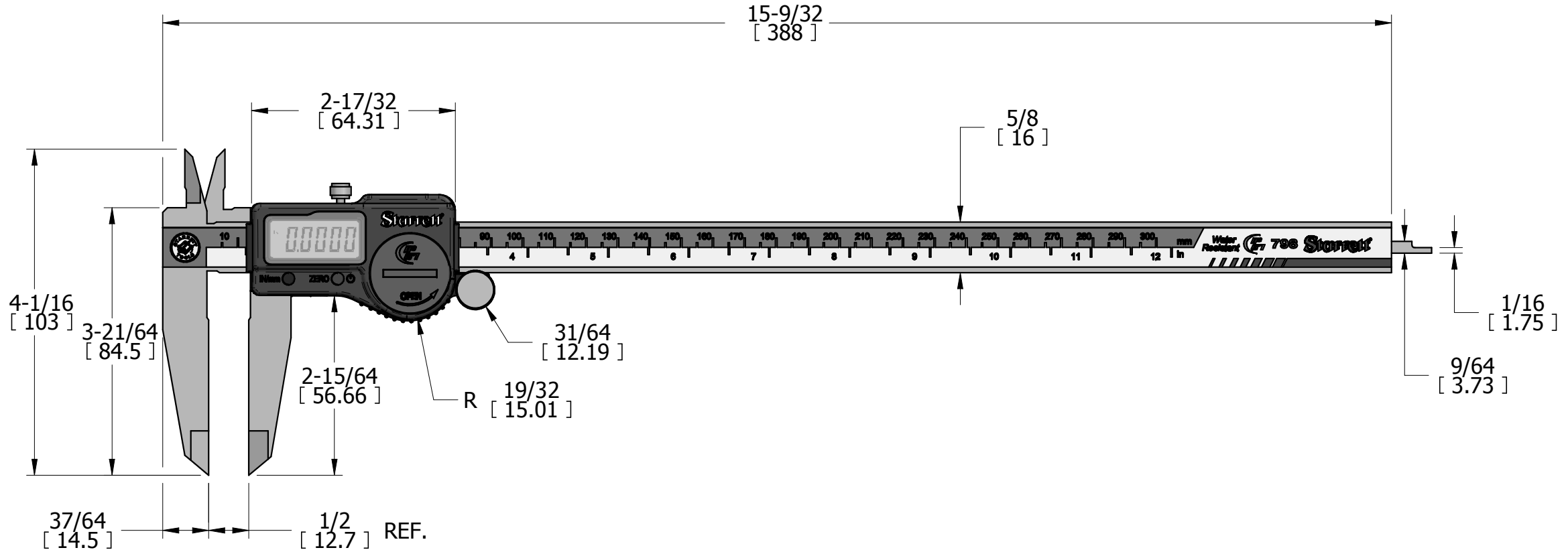
12"

DO NOT  
SEPARATE  
PRINT FROM  
WORK

LOT NO

OPER

TOOLS




REV	DESCRIPTION	DATE	BY
-----	-------------	------	----

DR	JKB	CHK	DATE
----	-----	-----	------

ELECTRONIC CALIPER  
12" / 300mm

THE L.S. STARRETT CO.  
ATHOL, MASS.

FRACTIONAL TOLERANCE +- 1/64 UNLESS OTHERWISE NOTED