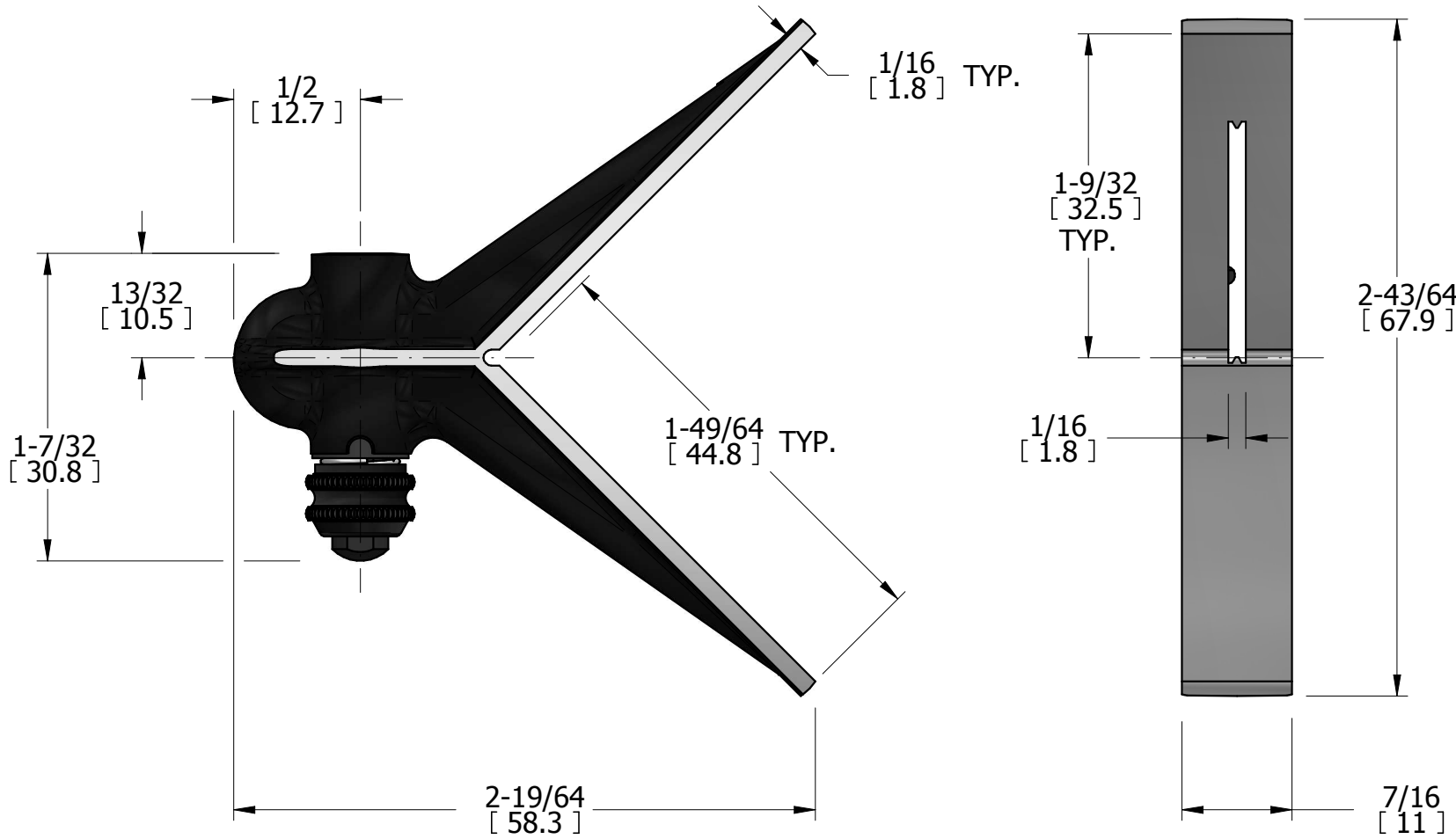
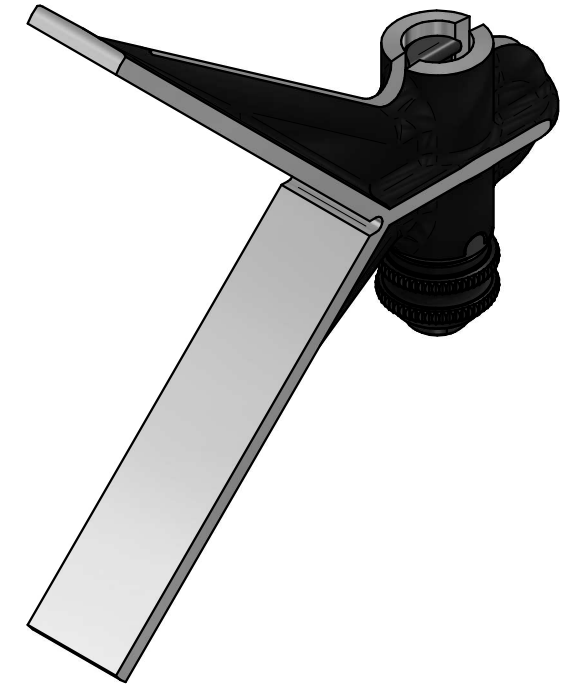


FORGED AND HARDENED STEEL  
WITH SMOOTH BLACK ENAMEL FINISH

INCLUDES: REVERSIBLE LOCK BOLT




REV	DESCRIPTION	DATE	BY
DR	JMR	CHK	DATE 5/31/16

CENTER HEAD  
ONLY

THE L.S. STARRETT CO.  
ATHOL, MASS.

[ ] = mm

FRACTIONAL TOLERANCE +- 1/64 UNLESS OTHERWISE NOTED